

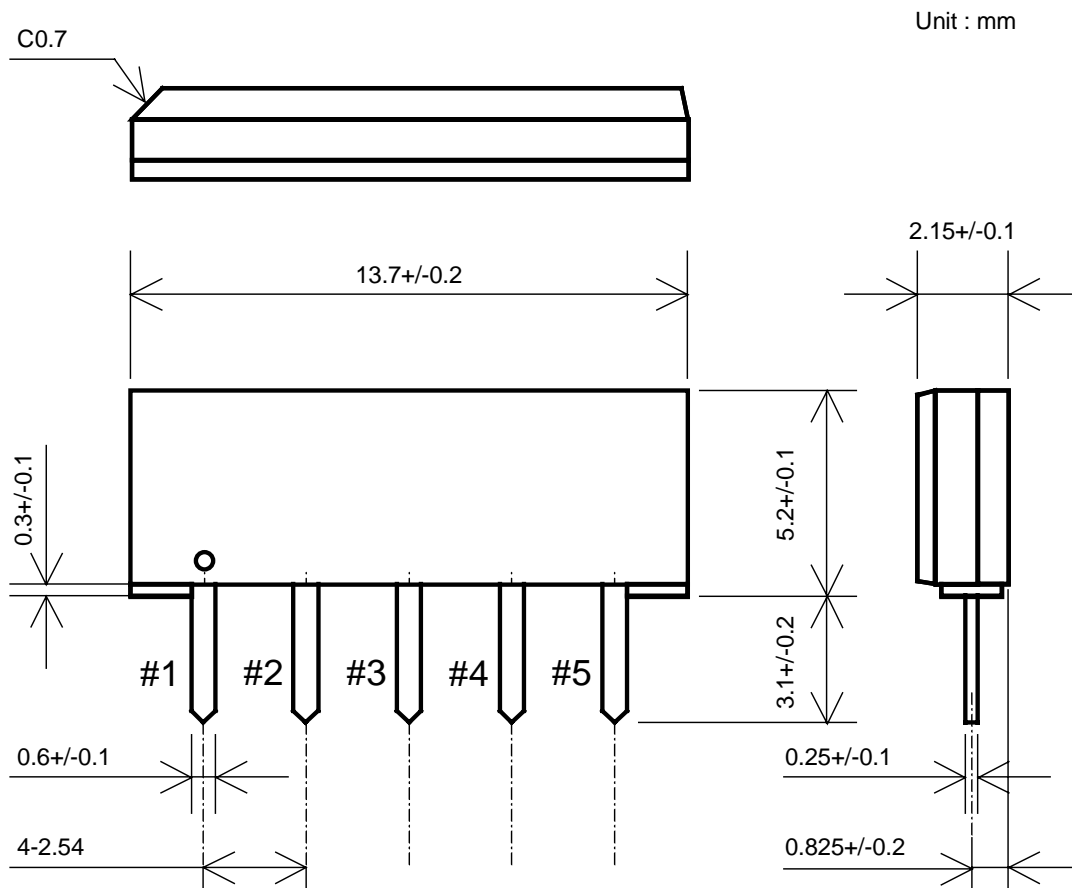
Customer Name	<b>Standard specification</b>	FUJITSU MEDIA DEVICES LIMITED	
Application	IF Filter for Terrestrial-TV		
System	Europe / Asia		
Center Frequency	36.000 MHz	DATE	Jun. 27 2003
FMD Part Number	FAR-F4SE-36M000-A005	Version 1.1	

**Table 1 Electrical Specification (Ta=25°C)**

Items	Conditions	Specification			Unit	Remarks
		Min.	Typ.	Max.		
Center Frequency		–	36.000	–	MHz	
Insertion Loss	36.000 MHz	18.7	20.2	21.7	dB	
Pass Bandwidth	1.5 dB	–	7.9	–	MHz	
	3.0 dB	–	8.1	–	MHz	
	15 dB	–	9.0	–	MHz	
	30 dB	–	9.6	–	MHz	
Relative level	25.00 ~ 30.00 MHz	–	-45	-38	dB	
	30.00 ~ 31.00 MHz	–	-39	-34	dB	
	31.30 MHz	–	-23	-18	dB	
	31.65 MHz	–	-9	-6	dB	
	36.00 MHz	–	0	–	dB	Reference
	40.35 MHz	–	-9	-6	dB	
	40.70 MHz	–	-27	-20	dB	
	41.00 ~ 42.00 MHz	–	-41	-34	dB	
42.00 ~ 45.00 MHz	-	-42	-37	dB		
Amplitude ripple (p-p)	32.35 ~ 39.65 MHz	-	0.5	1.0	dB	
Group delay ripple (p-p)	32.35 ~ 39.65 MHz	–	30	–	ns	
Input Capacitance	Cin (1.0 MHz)	–	15.7	–	pF	
Output Capacitance	Cout (1.0 MHz)	–	3.5	–	pF	
Temperature coefficient		–	-72	–	ppm/°C	

Customer Name	<b>Standard specification</b>	FUJITSU MEDIA DEVICES LIMITED	
Application	IF Filter for Terrestrial-TV		
System	Europe / Asia		
Center Frequency	36.000 MHz	DATE	Jun. 27 2003
FMD Part Number	FAR-F4SE-36M000-A005	Version 1.1	

● **Dimensions**



**Fig.1**

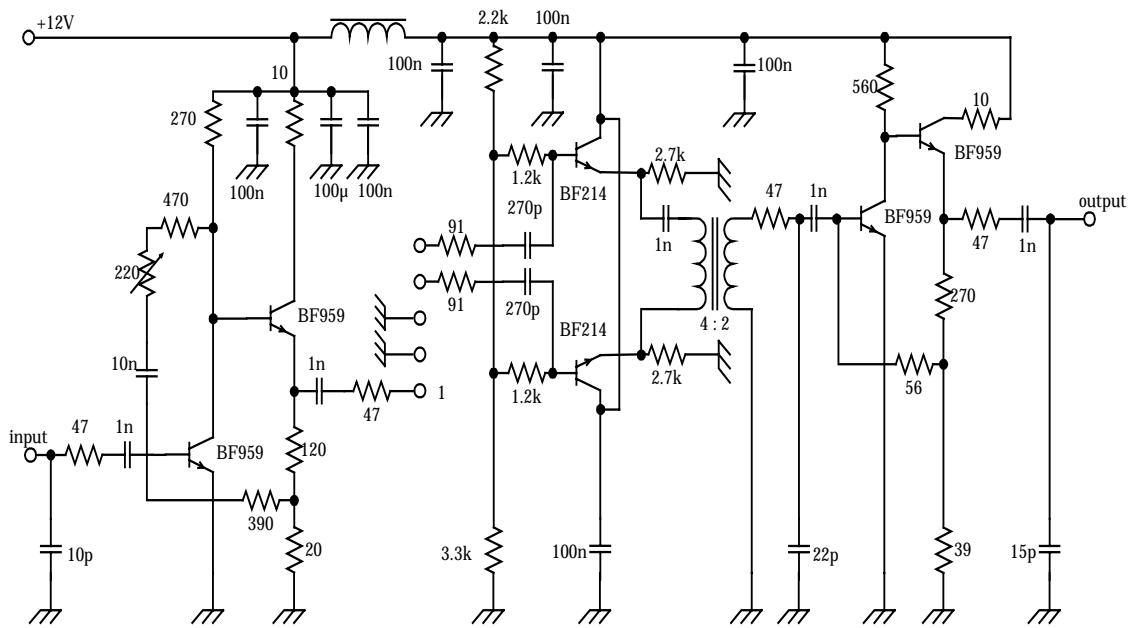
● **Pin Configuration**

**Table 2**

Pin No.	Symbol	Function
#1	IN	Input
#2	IN(GND)	Input(Ground)
#3	GND	Ground
#4	OUT	Output
#5	OUT	Output

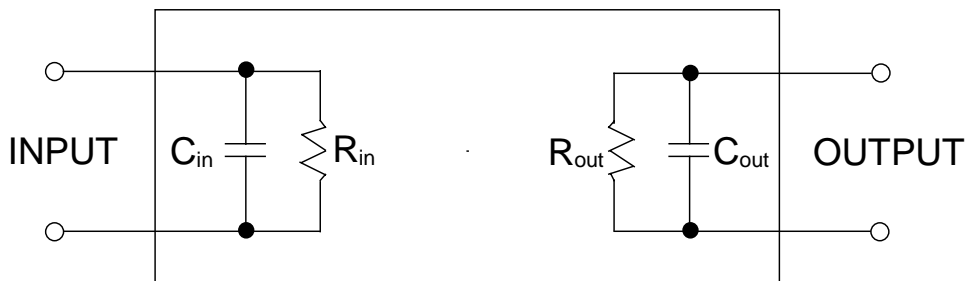
Customer Name	<b>Standard specification</b>	FUJITSU MEDIA DEVICES LIMITED	
Application	IF Filter for Terrestrial-TV		
System	Europe / Asia		
Center Frequency	36.000 MHz	DATE	Jun. 27 2003
FMD Part Number	FAR-F4SE-36M000-A005	Version 1.1	

● **Evaluation Circuit**



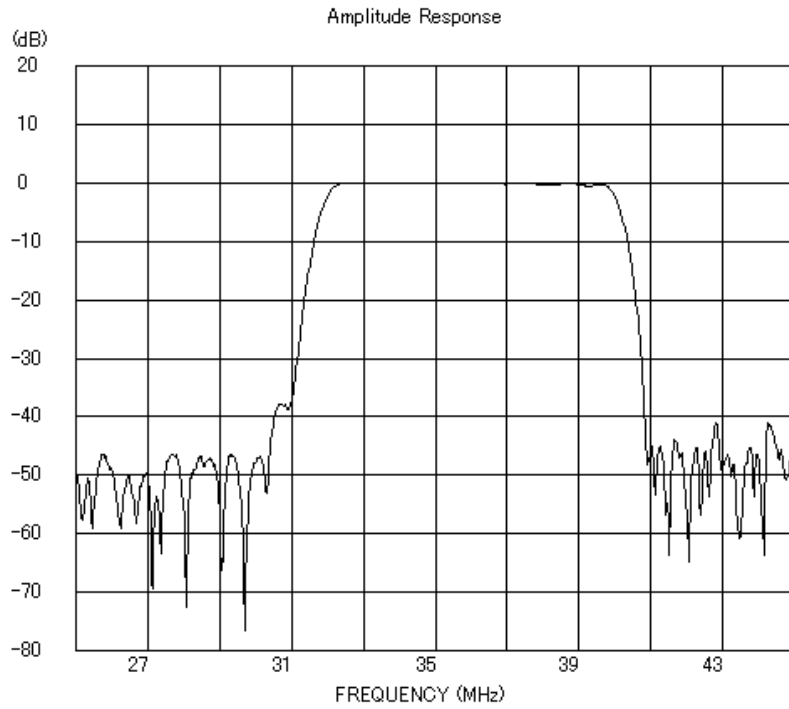
**Fig.2 Evaluation circuit**

● **Equivalent Circuit**

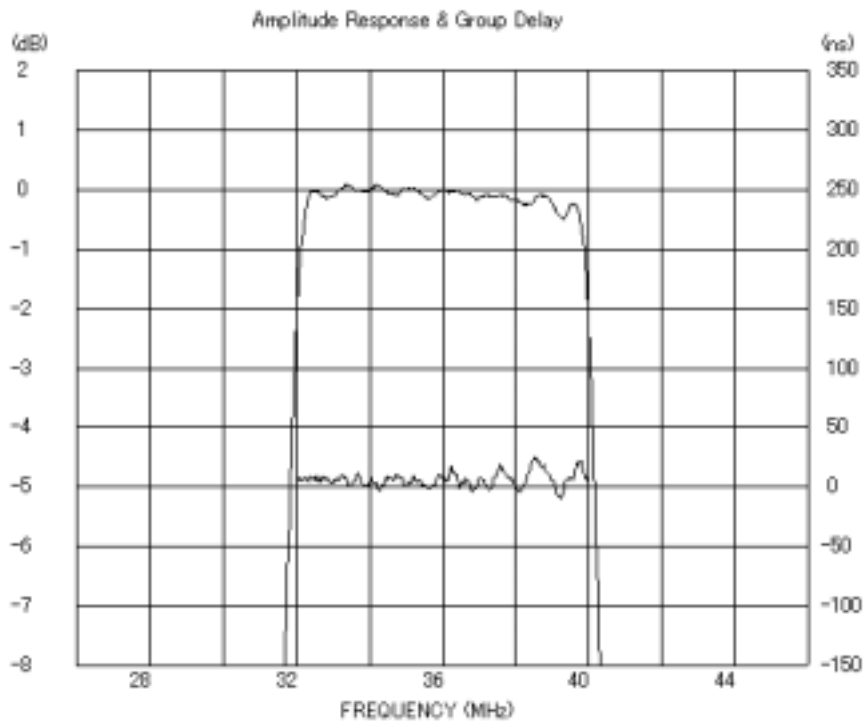


**Fig.3 Equivalent circuit**

Customer Name	<b>Standard specification</b>	FUJITSU MEDIA DEVICES LIMITED	
Application	IF Filter for Terrestrial-TV		
System	Europe / Asia		
Center Frequency	36.000 MHz	DATE	Jun. 27 2003
FMD Part Number	FAR-F4SE-36M000-A005	Version 1.1	



### Frequency Characteristics



### In-band Characteristics