



# 3.3V CMOS Static RAM 4 Meg (512K x 8-Bit)

**IDT71V424S**  
**IDT71V424L**

## Features

- ◆ 512K x 8 advanced high-speed CMOS Static RAM
- ◆ JEDEC Center Power / GND pinout for reduced noise
- ◆ Equal access and cycle times  
— *Commercial and Industrial: 10/12/15ns*
- ◆ Single 3.3V power supply
- ◆ One Chip Select plus one Output Enable pin
- ◆ Bidirectional data inputs and outputs directly TTL-compatible
- ◆ Low power consumption via chip deselect
- ◆ Available in 36-pin, 400 mil plastic SOJ package and 44-pin, 400 mil TSOP.

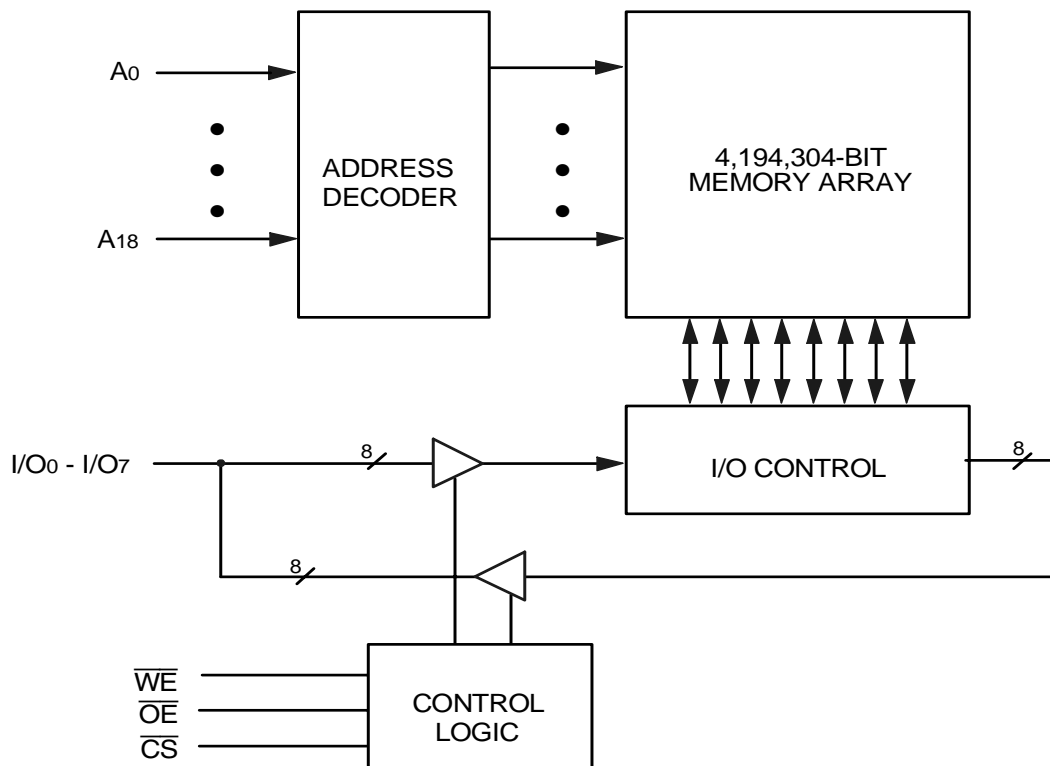
## Description

The IDT71V424 is a 4,194,304-bit high-speed Static RAM organized as 512K x 8. It is fabricated using IDT's high-performance, high-reliability CMOS technology. This state-of-the-art technology, combined with innovative circuit design techniques, provides a cost-effective solution for high-speed memory needs.

The IDT71V424 has an output enable pin which operates as fast as 5ns, with address access times as fast as 10ns. All bidirectional inputs and outputs of the IDT71V424 are TTL-compatible and operation is from a single 3.3V supply. Fully static asynchronous circuitry is used, requiring no clocks or refresh for operation.

The IDT71V424 is packaged in a 36-pin, 400 mil Plastic SOJ and 44-pin, 400 mil TSOP.

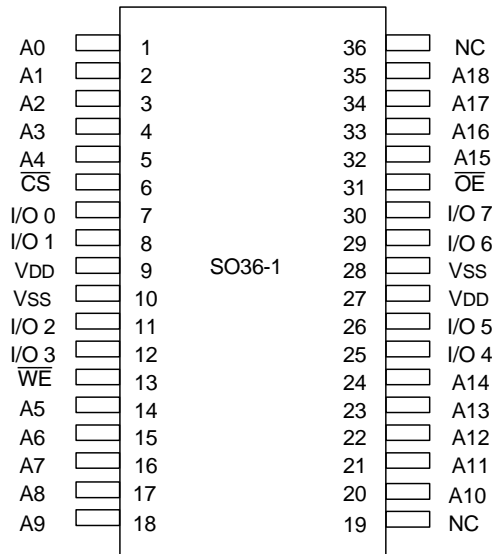
## Functional Block Diagram



3622 drw 01

JULY 2004

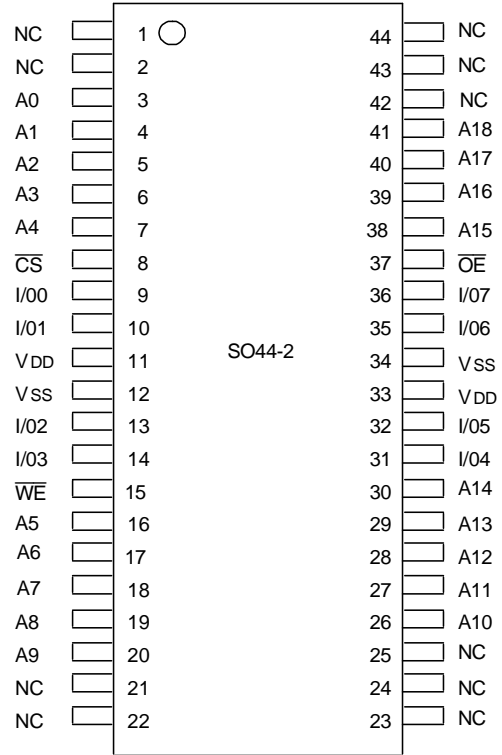
### Pin Configuration



SOJ  
Top View

3622 drw 02

### Pin Configuration



TSOP  
Top View

3622 drw 11

### Pin Description

|                                     |                   |       |
|-------------------------------------|-------------------|-------|
| A <sub>0</sub> - A <sub>18</sub>    | Address Inputs    | Input |
| $\overline{CS}$                     | Chip Select       | Input |
| $\overline{WE}$                     | Write Enable      | Input |
| $\overline{OE}$                     | Output Enable     | Input |
| I/O <sub>0</sub> - I/O <sub>7</sub> | Data Input/Output | I/O   |
| VDD                                 | 3.3V Power        | Power |
| VSS                                 | Ground            | Gnd   |

3622 tbl 02

### Capacitance

(T<sub>A</sub> = +25°C, f = 1.0MHz, SOJ package)

| Symbol           | Parameter <sup>(1)</sup> | Conditions             | Max. | Unit |
|------------------|--------------------------|------------------------|------|------|
| C <sub>IN</sub>  | Input Capacitance        | V <sub>IN</sub> = 3dV  | 7    | pF   |
| C <sub>I/O</sub> | I/O Capacitance          | V <sub>OUT</sub> = 3dV | 8    | pF   |

3622 tbl 03

#### NOTE:

- This parameter is guaranteed by device characterization, but not production tested.

### Truth Table<sup>(1,2)</sup>

| $\overline{CS}$                | $\overline{OE}$ | $\overline{WE}$ | I/O                 | Function                    |
|--------------------------------|-----------------|-----------------|---------------------|-----------------------------|
| L                              | L               | H               | DATA <sub>OUT</sub> | Read Data                   |
| L                              | X               | L               | DATA <sub>IN</sub>  | Write Data                  |
| L                              | H               | H               | High-Z              | Output Disabled             |
| H                              | X               | X               | High-Z              | Deselected - Standby (ISB)  |
| V <sub>HC</sub> <sup>(3)</sup> | X               | X               | High-Z              | Deselected - Standby (ISB1) |

3622 tbl 01

#### NOTES:

- H = V<sub>IH</sub>, L = V<sub>IL</sub>, x = Don't care.
- V<sub>LC</sub> = 0.2V, V<sub>HC</sub> = V<sub>DD</sub> - 0.2V.
- Other inputs ≥ V<sub>HC</sub> or ≤ V<sub>LC</sub>.

### Absolute Maximum Ratings<sup>(1)</sup>

| Symbol                             | Rating                                       | Value                        | Unit |
|------------------------------------|--|------------------------------|------|
| V <sub>DD</sub>                    | Supply Voltage Relative to V <sub>SS</sub>   | -0.5 to +4.6                 | V    |
| V <sub>IN</sub> , V <sub>OUT</sub> | Terminal Voltage Relative to V <sub>SS</sub> | -0.5 to V <sub>DD</sub> +0.5 | V    |
| T <sub>BIAS</sub>                  | Temperature Under Bias                       | -55 to +125                  | °C   |
| T <sub>STG</sub>                   | Storage Temperature                          | -55 to +125                  | °C   |
| P <sub>T</sub>                     | Power Dissipation                            | 1                            | W    |
| I <sub>OUT</sub>                   | DC Output Current                            | 50                           | mA   |

3622 tbl 04

**NOTE:**

- Stresses greater than those listed under ABSOLUTE MAXIMUM RATINGS may cause permanent damage to the device. This is a stress rating only and functional operation of the device at these or any other conditions above those indicated in the operational sections of this specification is not implied. Exposure to absolute maximum rating conditions for extended periods may affect reliability.

### Recommended Operating Temperature and Supply Voltage

| Grade      | Temperature    | V <sub>SS</sub> | V <sub>DD</sub> |
|------------|----------------|-----------------|-----------------|
| Commercial | 0°C to +70°C   | 0V              | See Below       |
| Industrial | -40°C to +85°C | 0V              | See Below       |

3622 tbl 05

### Recommended DC Operating Conditions

| Symbol          | Parameter          | Min.                | Typ. | Max.                                | Unit |
|-----------------|--------------------|---------------------|------|-------------------------------------|------|
| V <sub>DD</sub> | Supply Voltage     | 3.0                 | 3.3  | 3.6                                 | V    |
| V <sub>SS</sub> | Ground             | 0                   | 0    | 0                                   | V    |
| V <sub>IH</sub> | Input High Voltage | 2.0                 | —    | V <sub>DD</sub> +0.3 <sup>(1)</sup> | V    |
| V <sub>IL</sub> | Input Low Voltage  | -0.3 <sup>(2)</sup> | —    | 0.8                                 | V    |

3622 tbl 06

**NOTES:**

- V<sub>IH</sub> (max.) = V<sub>DD</sub>+2V for pulse width less than 5ns, once per cycle.
- V<sub>IL</sub> (min.) = -2V for pulse width less than 5ns, once per cycle.

### DC Electrical Characteristics

(V<sub>DD</sub> = Min. to Max., Commercial and Industrial Temperature Ranges)

| Symbol          | Parameter              | Test Condition  | IDT71V424 |      | Unit |
|-----------------|------------------------|---|-----------|------|------|
|                 |                        |   | Min.      | Max. |      |
| I <sub>I</sub>  | Input Leakage Current  | V <sub>DD</sub> = Max., V <sub>IN</sub> = V <sub>SS</sub> to V <sub>DD</sub>                                      | —         | 5    | μA   |
| I <sub>O</sub>  | Output Leakage Current | V <sub>DD</sub> = Max., $\overline{CS}$ = V <sub>IH</sub> , V <sub>OUT</sub> = V <sub>SS</sub> to V <sub>DD</sub> | —         | 5    | μA   |
| V <sub>OL</sub> | Output Low Voltage     | I <sub>OL</sub> = 8mA, V <sub>DD</sub> = Min.   | —         | 0.4  | V    |
| V <sub>OH</sub> | Output High Voltage    | I <sub>OH</sub> = -4mA, V <sub>DD</sub> = Min.  | 2.4       | —    | V    |

3622 tbl 07

### DC Electrical Characteristics<sup>(1, 2, 3)</sup>

(V<sub>DD</sub> = Min. to Max., V<sub>LC</sub> = 0.2V, V<sub>HC</sub> = V<sub>DD</sub> - 0.2V)

| Symbol           | Parameter   |   | 71V424S/L 10 |                     | 71V424S/L 12 |                     | 71V424S/L 15 |                     | Unit |
|------------------|---|---|--------------|---------------------|--------------|---------------------|--------------|---------------------|------|
|                  |   |   | Com'l.       | Ind. <sup>(5)</sup> | Com'l.       | Ind. <sup>(5)</sup> | Com'l.       | Ind. <sup>(5)</sup> |      |
| I <sub>CC</sub>  | Dynamic Operating Current<br>$\overline{CS} \leq V_{LC}$ , Outputs Open, V <sub>DD</sub> = Max., f = f <sub>MAX</sub> <sup>(4)</sup>            | S | 180          | 180                 | 170          | 170                 | 160          | 160                 | mA   |
|                  |   | L | 165          | —                   | 155          | 155                 | 145          | 145                 | mA   |
| I <sub>SB</sub>  | Dynamic Standby Power Supply Current<br>$\overline{CS} \geq V_{HC}$ , Outputs Open, V <sub>DD</sub> = Max., f = f <sub>MAX</sub> <sup>(4)</sup> | S | 60           | 60                  | 55           | 55                  | 50           | 50                  | mA   |
|                  |   | L | 55           | —                   | 50           | 50                  | 45           | 45                  | mA   |
| I <sub>SB1</sub> | Full Standby Power Supply Current (static)<br>$\overline{CS} \geq V_{HC}$ , Outputs Open, V <sub>DD</sub> = Max., f = 0 <sup>(4)</sup>          | S | 20           | 20                  | 20           | 20                  | 20           | 20                  | mA   |
|                  |   | L | 10           | —                   | 10           | 10                  | 10           | 10                  | mA   |

3622 tbl 08

**NOTES:**

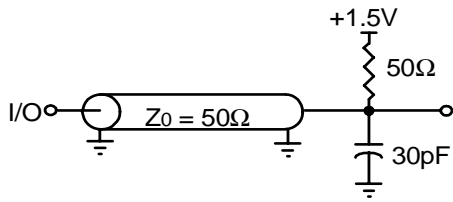
- All values are maximum guaranteed values.
- All inputs switch between 0.2V (Low) and V<sub>DD</sub> - 0.2V (High).
- Power specifications are preliminary.
- f<sub>MAX</sub> = 1/trc (all address inputs are cycling at f<sub>MAX</sub>); f = 0 means no address input lines are changing.
- Standard power 10ns (S10) speed grade only.

## AC Test Conditions

|                               |                       |
|-------------------------------|-----------------------|
| Input Pulse Levels            | GND to 3.0V           |
| Input Rise/Fall Times         | 1.5ns                 |
| Input Timing Reference Levels | 1.5V                  |
| Output Reference Levels       | 1.5V                  |
| AC Test Load                  | See Figure 1, 2 and 3 |

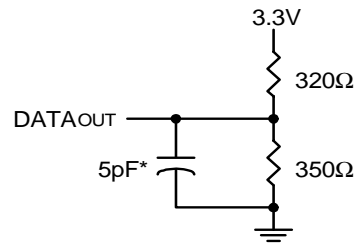
3622 tbl 09

## AC Test Loads



3622 drw 03

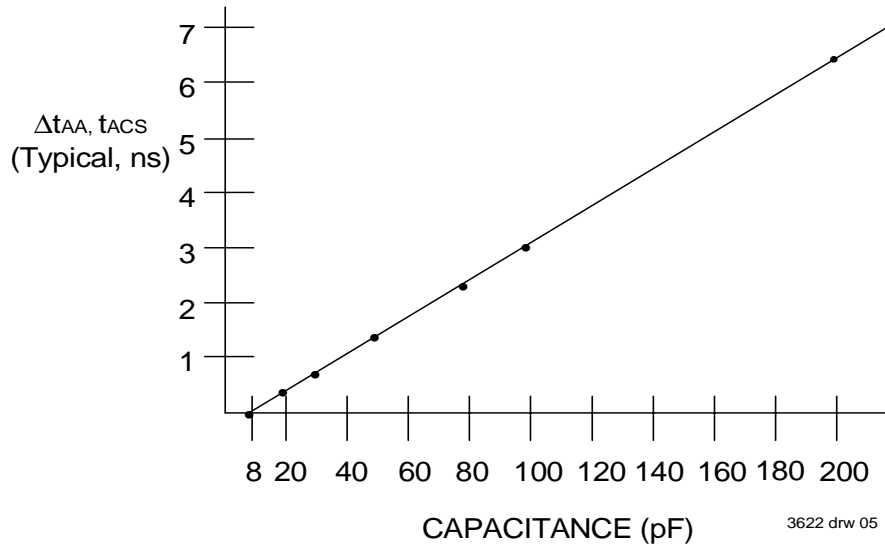
Figure 1. AC Test Load



3622 drw 04

\*Including jig and scope capacitance.

Figure 2. AC Test Load  
(for tCLZ, toLZ, tCHZ, toHZ, tow, and twHZ)



3622 drw 05

Figure 3. Output Capacitive Derating

## AC Electrical Characteristics

(V<sub>CC</sub> = 3.3V ± 10%, Commercial and Industrial Temperature Ranges)

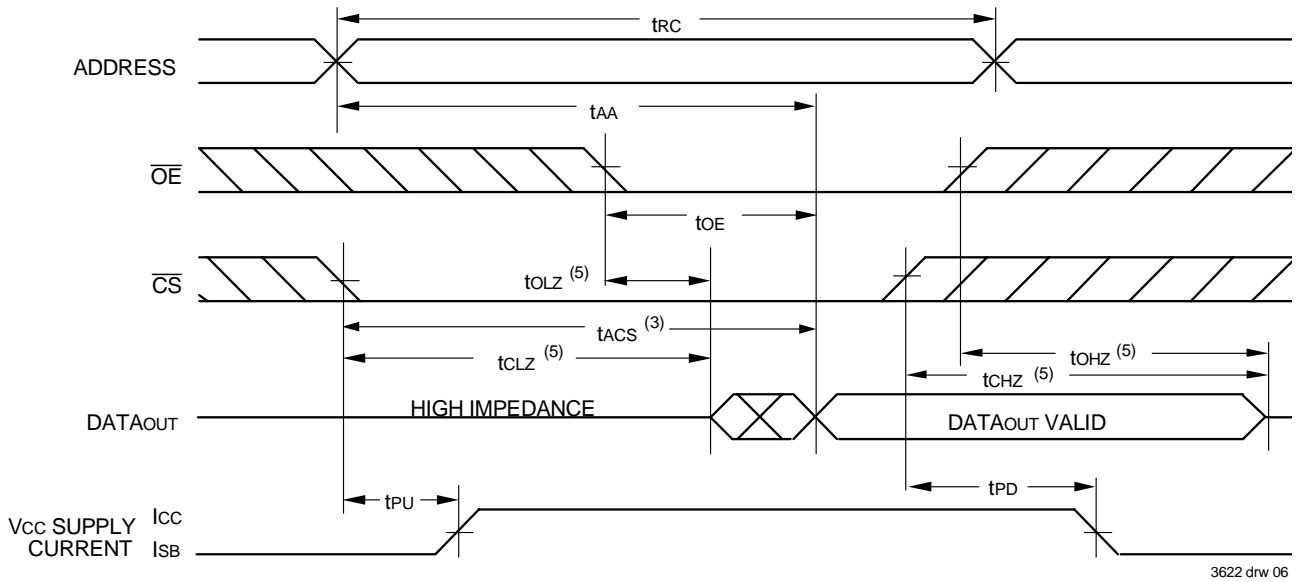
| Symbol                          | Parameter                          | 71V424S/L10 <sup>(2)</sup> |      | 71V424S/L12 |      | 71V424S/L15 |      | Unit |
|---------------------------------|------------------------------------|----------------------------|------|-------------|------|-------------|------|------|
|                                 |                                    | Min.                       | Max. | Min.        | Max. | Min.        | Max. |      |
| <b>READ CYCLE</b>               |                                    |                            |      |             |      |             |      |      |
| t <sub>RC</sub>                 | Read Cycle Time                    | 10                         | —    | 12          | —    | 15          | —    | ns   |
| t <sub>AA</sub>                 | Address Access Time                | —                          | 10   | —           | 12   | —           | 15   | ns   |
| t <sub>ACS</sub>                | Chip Select Access Time            | —                          | 10   | —           | 12   | —           | 15   | ns   |
| t <sub>CLZ</sub> <sup>(1)</sup> | Chip Select to Output in Low-Z     | 4                          | —    | 4           | —    | 4           | —    | ns   |
| t <sub>CHZ</sub> <sup>(1)</sup> | Chip Deselect to Output in High-Z  | —                          | 5    | —           | 6    | —           | 7    | ns   |
| t <sub>OE</sub>                 | Output Enable to Output Valid      | —                          | 5    | —           | 6    | —           | 7    | ns   |
| t <sub>OLZ</sub> <sup>(1)</sup> | Output Enable to Output in Low-Z   | 0                          | —    | 0           | —    | 0           | —    | ns   |
| t <sub>OHZ</sub> <sup>(1)</sup> | Output Disable to Output in High-Z | —                          | 5    | —           | 6    | —           | 7    | ns   |
| t <sub>OH</sub>                 | Output Hold from Address Change    | 4                          | —    | 4           | —    | 4           | —    | ns   |
| t <sub>PU</sub> <sup>(1)</sup>  | Chip Select to Power Up Time       | 0                          | —    | 0           | —    | 0           | —    | ns   |
| t <sub>PD</sub> <sup>(1)</sup>  | Chip Deselect to Power Down Time   | —                          | 10   | —           | 12   | —           | 15   | ns   |
| <b>WRITE CYCLE</b>              |                                    |                            |      |             |      |             |      |      |
| t <sub>WC</sub>                 | Write Cycle Time                   | 10                         | —    | 12          | —    | 15          | —    | ns   |
| t <sub>AW</sub>                 | Address Valid to End of Write      | 8                          | —    | 8           | —    | 10          | —    | ns   |
| t <sub>CW</sub>                 | Chip Select to End of Write        | 8                          | —    | 8           | —    | 10          | —    | ns   |
| t <sub>AS</sub>                 | Address Set-up Time                | 0                          | —    | 0           | —    | 0           | —    | ns   |
| t <sub>WP</sub>                 | Write Pulse Width                  | 8                          | —    | 8           | —    | 10          | —    | ns   |
| t <sub>WR</sub>                 | Write Recovery Time                | 0                          | —    | 0           | —    | 0           | —    | ns   |
| t <sub>DW</sub>                 | Data Valid to End of Write         | 6                          | —    | 6           | —    | 7           | —    | ns   |
| t <sub>DH</sub>                 | Data Hold Time                     | 0                          | —    | 0           | —    | 0           | —    | ns   |
| t <sub>OW</sub> <sup>(1)</sup>  | Output Active from End of Write    | 3                          | —    | 3           | —    | 3           | —    | ns   |
| t <sub>WHZ</sub> <sup>(1)</sup> | Write Enable to Output in High-Z   | —                          | 6    | —           | 7    | —           | 7    | ns   |

3622 tbl 10

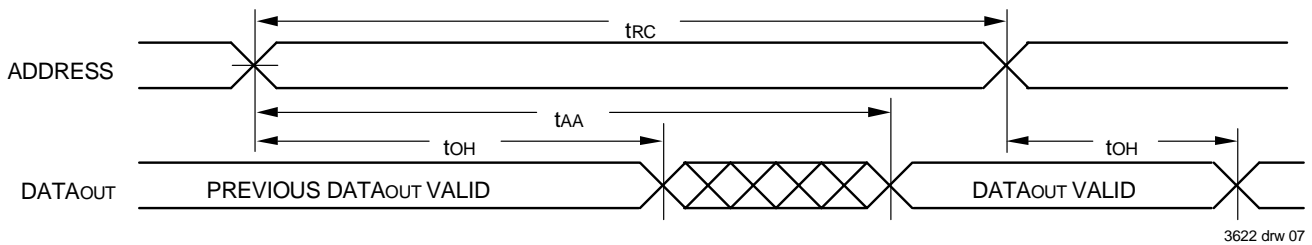
**NOTES:**

1. This parameter guaranteed with the AC load (Figure 2) by device characterization, but is not production tested.
2. 0°C to +70°C temperature range only for low power 10ns (L10) speed grade.

### Timing Waveform of Read Cycle No. 1<sup>(1)</sup>



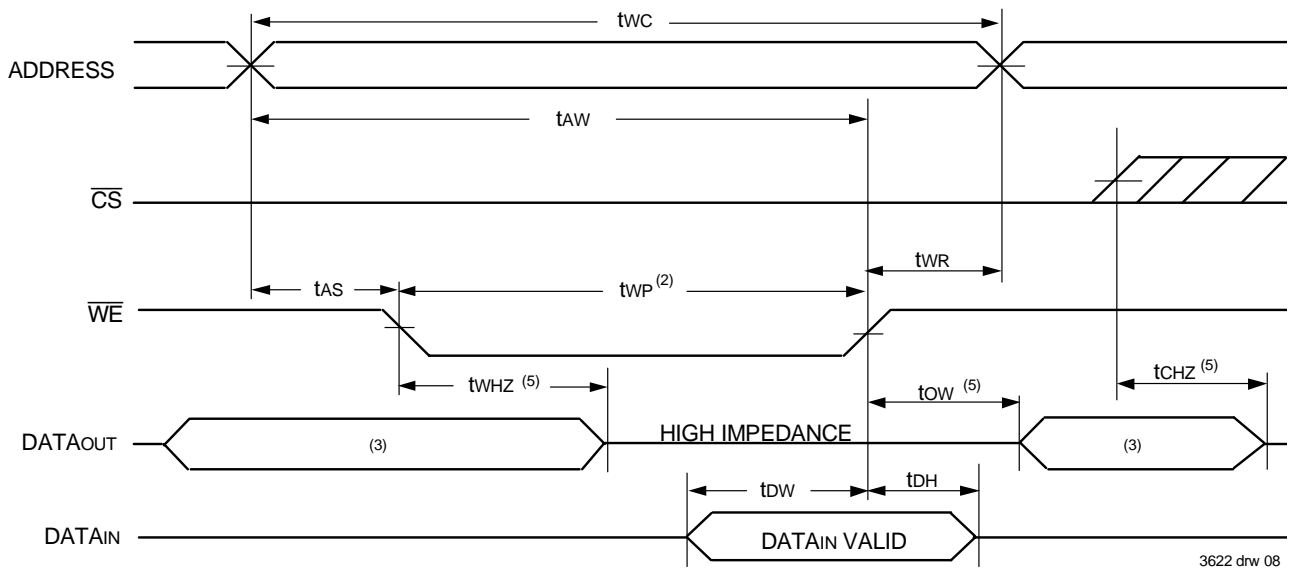
### Timing Waveform of Read Cycle No. 2<sup>(1, 2, 4)</sup>



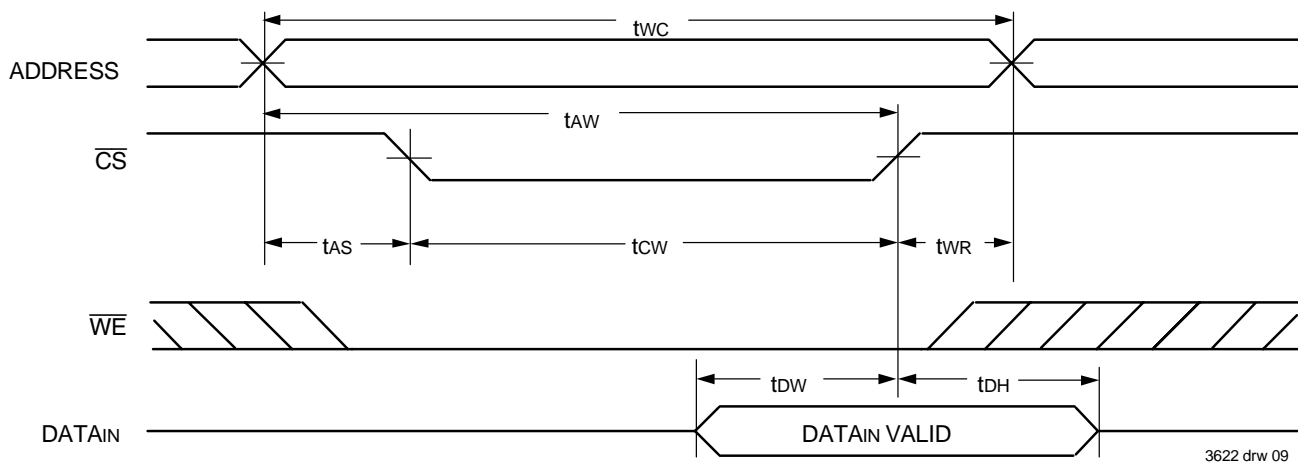
**NOTES:**

1.  $\overline{WE}$  is HIGH for Read Cycle.
2. Device is continuously selected,  $\overline{CS}$  is LOW.
3. Address must be valid prior to or coincident with the later of  $\overline{CS}$  transition LOW; otherwise  $t_{AA}$  is the limiting parameter.
4.  $\overline{OE}$  is LOW.
5. Transition is measured  $\pm 200\text{mV}$  from steady state.

### Timing Waveform of Write Cycle No. 1 ( $\overline{WE}$ Controlled Timing)<sup>(1, 2, 4)</sup>



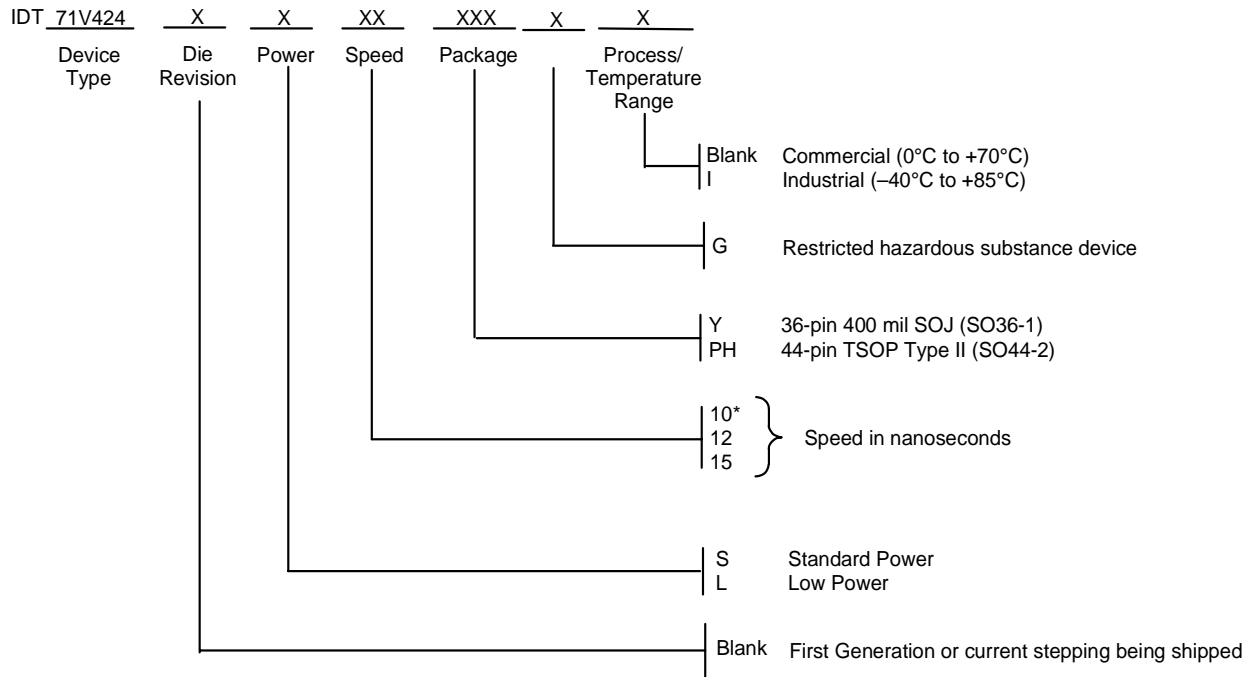
### Timing Waveform of Write Cycle No. 2 ( $\overline{CS}$ Controlled Timing)<sup>(1, 4)</sup>



**NOTES:**

1. A write occurs during the overlap of a LOW  $\overline{CS}$  and a LOW  $\overline{WE}$ .
2.  $\overline{OE}$  is continuously HIGH. During a  $\overline{WE}$  controlled write cycle with  $\overline{OE}$  LOW,  $t_{WP}$  must be greater than or equal to  $t_{WHZ} + t_{DW}$  to allow the I/O drivers to turn off and data to be placed on the bus for the required  $t_{OW}$ . If  $\overline{OE}$  is HIGH during a  $\overline{WE}$  controlled write cycle, this requirement does not apply and the minimum write pulse is the specified  $t_{WP}$ .
3. During this period, I/O pins are in the output state, and input signals must not be applied.
4. If the  $\overline{CS}$  LOW transition occurs simultaneously with or after the  $\overline{WE}$  LOW transition, the outputs remain in a high impedance state.  $\overline{CS}$  must be active during the  $t_{OW}$  write period.
5. Transition is measured  $\pm 200\text{mV}$  from steady state.

## Ordering Information



\* Commercial only for low power 10ns (L10) speed grade.



## Datasheet Document History

|          |         |   |
|----------|---------|---|
| 8/13/99  |         | Updated to new format   |
|          | Pg. 2   | Removed SO44-1 from TSOP pinout   |
|          | Pg. 7   | Revised footnotes on Write Cycle No. 1 diagram<br>Removed footnote for $t_{WR}$ on Write Cycle No. 2 diagram    |
|          | Pg. 9   | Added Datasheet Document History  |
| 8/31/99  | Pg. 1-9 | Added Industrial temperature range offerings  |
| 11/22/02 | Pg. 8   | Added die revision option to ordering information   |
| 07/31/03 | Pg. 8   | Updated note, L10 speed grade commercial temperature only and updated die stepping from YF to Y.                |
| 07/28/04 | Pg. 3   | Increased ISB for all "L" and S15 speeds by 10mA and increased for S12 speed by 5mA (refer to PCN# SR-0402-02). |
|          | Pg. 8   | Added "Restricted hazardous substance device" to the ordering information.                                      |



**CORPORATE HEADQUARTERS**  
2975 Stender Way  
Santa Clara, CA 95054

**for SALES:**  
800-345-7015 or 408-727-6116  
fax: 408-492-8674  
[www.idt.com](http://www.idt.com)

**for Tech Support:**  
[sramhelp@idt.com](mailto:sramhelp@idt.com)  
800-544-7726

The IDT logo is a registered trademark of Integrated Device Technology, Inc.