

# TC9210P, TC9211P

## ELECTRONIC VOLUME CONTROL IC

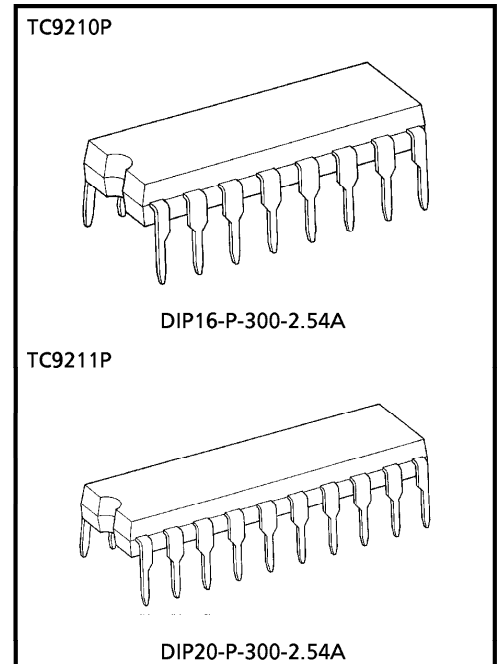
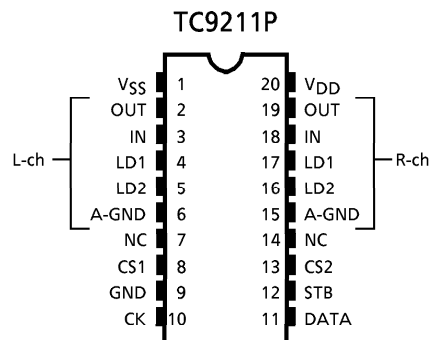
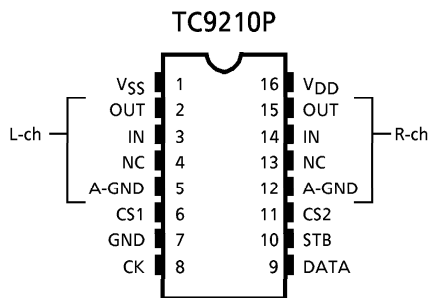
TC9210P and TC9211P are electronic volume control ICs developed for use in audio equipment such as home stereo sets.

The volume, balance and loudness circuits can be controlled by serial data which are input externally.

### FEATURES

- Forty-level volume control in 2dB steps from 0dB to 78dB,  $\infty$ dB.
- The volume circuit features 2 built-in channels which can be controlled independently, thus controlling balance.
- TC9211P features a built-in loudness circuit (20dB tap).
- Single and dual power supply operation.
- Chip select input allows control of up to four of these chips on the same bus.
- Polysilicon resistors enables low-distortion, high-performance volume systems.

### PIN CONNECTION



Weight  
 DIP16-P-300-2.54A : 1.0g (Typ.)  
 DIP20-P-300-2.54A : 1.4g (Typ.)

980508EBA2

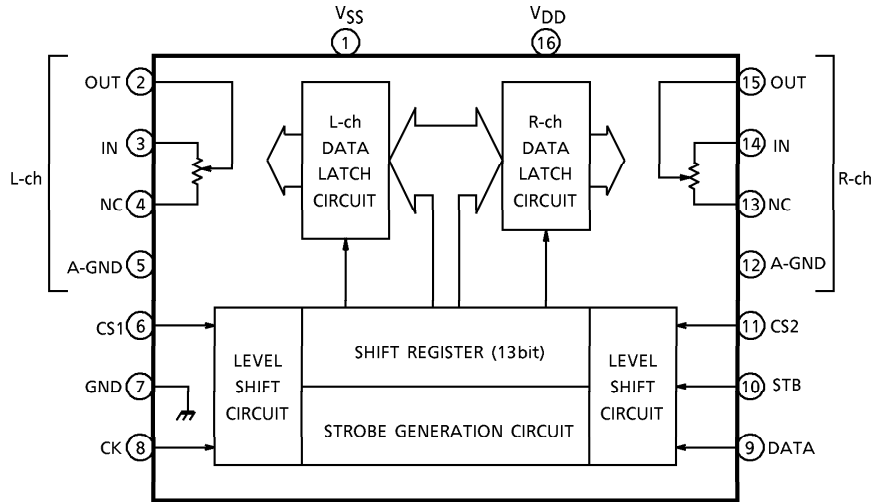
● TOSHIBA is continually working to improve the quality and the reliability of its products. Nevertheless, semiconductor devices in general can malfunction or fail due to their inherent electrical sensitivity and vulnerability to physical stress. It is the responsibility of the buyer, when utilizing TOSHIBA products, to observe standards of safety, and to avoid situations in which a malfunction or failure of a TOSHIBA product could cause loss of human life, bodily injury or damage to property. In developing your designs, please ensure that TOSHIBA products are used within specified operating ranges as set forth in the most recent products specifications. Also, please keep in mind the precautions and conditions set forth in the TOSHIBA Semiconductor Reliability Handbook.

● The products described in this document are subject to foreign exchange and foreign trade laws.

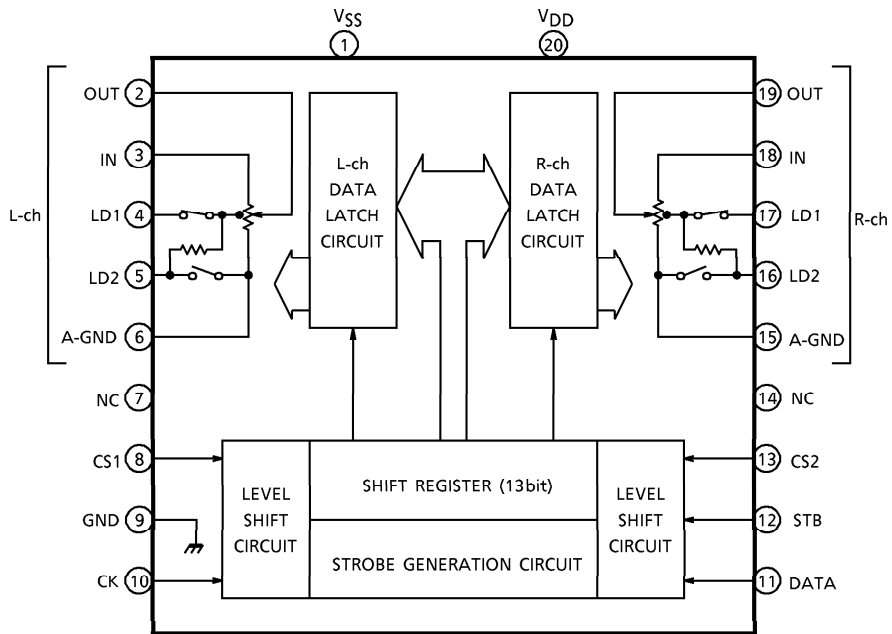
● The information contained herein is presented only as a guide for the applications of our products. No responsibility is assumed by TOSHIBA CORPORATION for any infringements of intellectual property or other rights of the third parties which may result from its use. No license is granted by implication or otherwise under any intellectual property or other rights of TOSHIBA CORPORATION or others.

● The information contained herein is subject to change without notice.

**BLOCK DIAGRAM (TC9210P)**



**BLOCK DIAGRAM (TC9211P)**



**PIN FUNCTION NUMBERS IN PARENTHESES APPLY TO TC9210P**

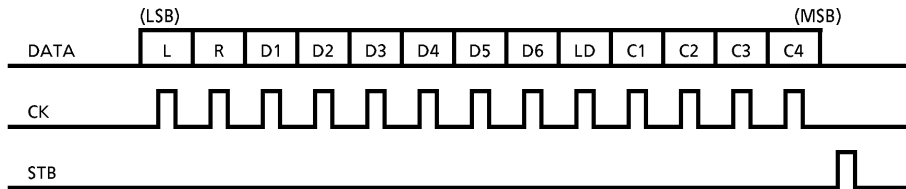
PIN NUMBER	SYMBOL	PIN NAME	FUNCTION AND OPERATION	NOTE
1 ( 1 )	V <sub>SS</sub>	Negative power supply pin	Dual power supply <ul style="list-style-type: none"> <li>— V<sub>DD</sub> = 6.0~17V</li> <li>— GND = 0V</li> <li>— V<sub>SS</sub> = -6.0~ -17V</li> </ul> Single power supply <ul style="list-style-type: none"> <li>— V<sub>DD</sub> = 6.0~18V</li> <li>— GND = V<sub>SS</sub> = 0V</li> </ul>	—
9 ( 7 )	GND	Digital ground pin		
20 ( 16 )	V <sub>DD</sub>	Positive power supply pin		
2 ( 2 )	L-OUT	Volume output pins	• Volume circuit (TC9211P) 	—
19 ( 15 )	R-OUT			
3 ( 3 )	L-IN	Volume input pins		
18 ( 14 )	R-IN			
4 ( — )	L-LD1	Tap output pins for loudness		
17 ( — )	R-LD1			
5 ( — )	L-LD2			
16 ( — )	R-LD2	Analog ground pins		
6 ( 5 )	L-A-GND			
15 ( 12 )	R-A-GND			
8 ( 6 )	CS1	Chip select input pins	Switching chip select code allows control of up to 4 chips simultaneously on one bus.	—
13 ( 11 )	CS2			
10 ( 8 )	CK	Clock input pin	Clock input for data transfer	Low threshold value input pins
11 ( 9 )	DATA	Data input pin	Serial data input for setting volume	
12 ( 10 )	STB	Strobe input pin	Strobe input for writing data	
7, 14 (4, 13)	NC	Not connected		—

**OPERATIONAL DESCRIPTION**

1. Setting volume values (attenuation)

The volume values are set using 13bit serial data.

• Data format



- 1) L is left-channel select data ; R is right-channel select data.  
When L = 1, left-channel volume is set ; when R = 1, right-channel volume is set. (When R = L = 1, both channel volumes are set simultaneously).
- 2) LD is loudness setting data. When LD = 1, loudness is on. (Only for TC9211P. Set to 0 for TC9210P.)
- 3) D1-D6 are volume value setting data.

VOLUME VALUE	D1	D2	D3	D4	D5	D6
0dB	0	0	0	0	0	0
2	1	0	0	0	0	0
4	0	1	0	0	0	0
6	1	1	0	0	0	0
8	0	0	1	0	0	0
10	1	0	1	0	0	0
12	0	1	1	0	0	0
14	1	1	1	0	0	0
16	0	0	0	1	0	0
18	1	0	0	1	0	0
20	0	1	0	1	0	0
22	1	1	0	1	0	0
24	0	0	1	1	0	0
26	1	0	1	1	0	0
28	0	1	1	1	0	0
30	1	1	1	1	0	0
32	0	0	0	0	1	0
34	1	0	0	0	1	0
36	0	1	0	0	1	0
38	1	1	0	0	1	0

VOLUME VALUE	D1	D2	D3	D4	D5	D6
40dB	0	0	1	0	1	0
42	1	0	1	0	1	0
44	0	1	1	0	1	0
46	1	1	1	0	1	0
48	0	0	0	1	1	0
50	1	0	0	1	1	0
52	0	1	0	1	1	0
54	1	1	0	1	1	0
56	0	0	1	1	1	0
58	1	0	1	1	1	0
60	0	1	1	1	1	0
62	1	1	1	1	1	0
64	0	0	0	0	0	1
66	1	0	0	0	0	1
68	0	1	0	0	0	1
70	1	1	0	0	0	1
72	0	0	1	0	0	1
74	1	0	1	0	0	1
76	0	1	1	0	0	1
78	1	1	1	0	0	1
∞	0	0	0	1	0	1

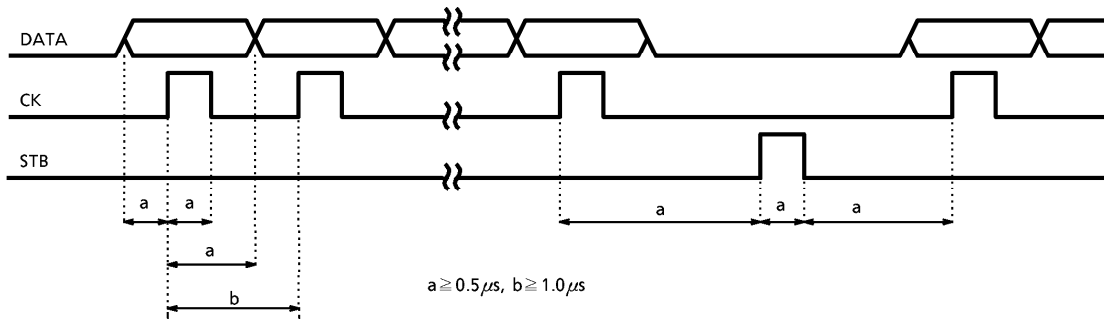
(Note) Note that if data other than those listed above are input, volume values are undefined.

- 4) C1-C4 are chip select code data.  
Code data are set according to CS1 and CS2 input.

CS1	CS2	C1	C2	C3	C4
L	L	0	0	1	1
H	L	1	0	1	1
L	H	0	1	1	1
H	H	1	1	1	1

**2. Serial data timing**

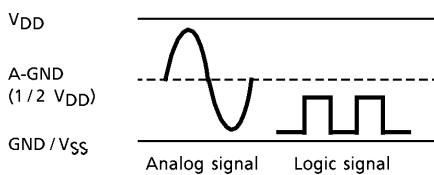
Input CK, DATA and STB according to the following timing.



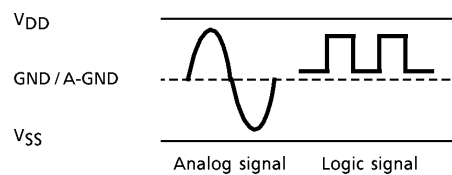
**3. Single and dual power supply operation**

TC9210P and TC9211P can operate with single or dual power supplies.  
With single or dual power supply, serial data logic level can be 0-5V.

- Single power supply operation



- Dual power supply operation



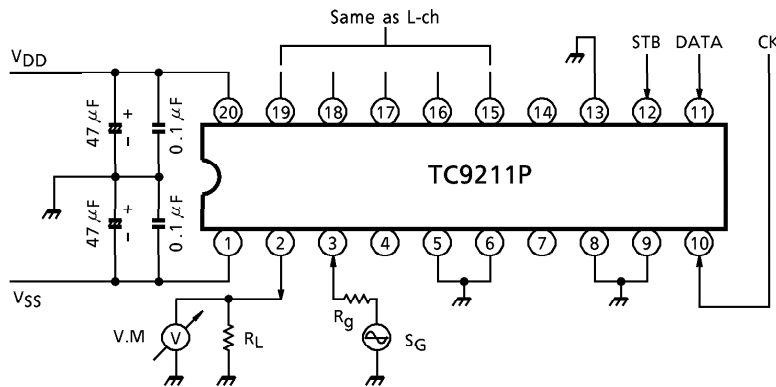
**MAXIMUM RATINGS (Ta = 25°C)**

CHARACTERISTIC	SYMBOL	RATING	UNIT
Power Supply Voltage (1)	V <sub>DD</sub> -V <sub>SS</sub>	-0.3~36	V
Power Supply Voltage (2)	V <sub>DD</sub> -GND	-0.3~20	V
GND Input Voltage	V <sub>IN</sub> (1)	-0.3~V <sub>DD</sub> + 0.3	V
V <sub>SS</sub> Input Voltage	V <sub>IN</sub> (2)	V <sub>SS</sub> - 0.3~V <sub>DD</sub> + 0.3	V
Power Dissipation	P <sub>D</sub>	300	mW
Operating Temperature	T <sub>opr</sub>	-40~85	°C
Storage Temperature	T <sub>stg</sub>	-65~150	°C

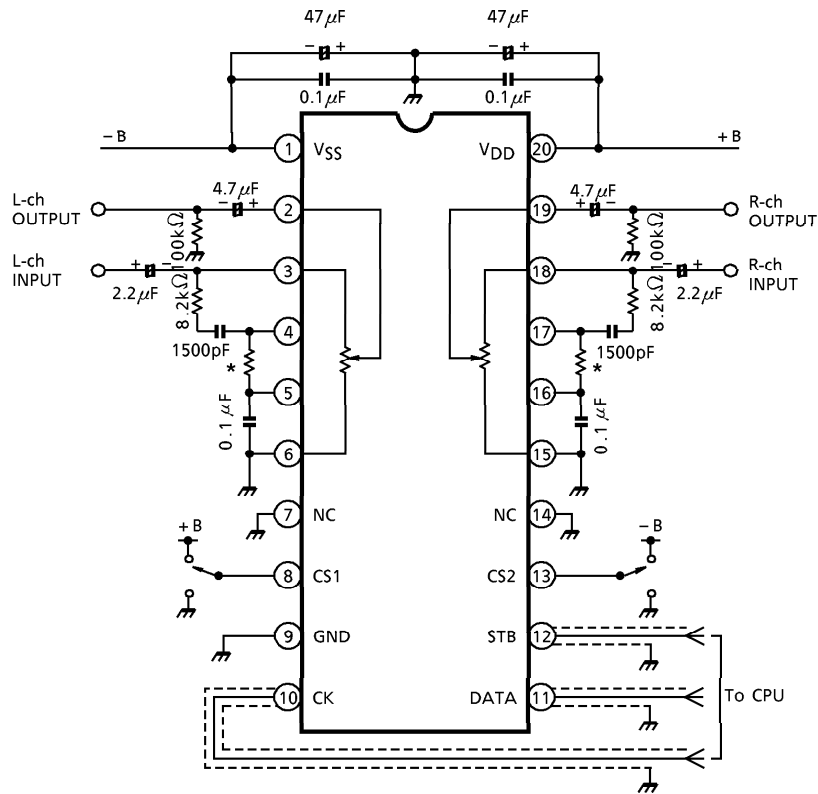
**ELECTRICAL CHARACTERISTICS (Unless otherwise specified, V<sub>DD</sub> = 15V, V<sub>SS</sub> = -15V, GND = 0V, Ta = 25°C)**

CHARACTERISTIC		SYMBOL	TEST CIRCUIT	TEST CONDITION	MIN.	TYP.	MAX.	UNIT
Operating Supply Voltage (1)		V <sub>DD</sub> -V <sub>SS</sub>	—	Dual power supply operation	12	~	34	V
Operating Supply Voltage (2)		V <sub>DD</sub> -GND	—	Single power supply operation	6.0	~	18	V
Operating Supply Current		I <sub>DD</sub>	1	No load, No input	—	0.5	1.0	mA
Input Voltage	"H" Level	V <sub>IH</sub> (1)	—	CK, DATA, STB terminal V <sub>DD</sub> = 6.0~18V	4.0	~	V <sub>DD</sub>	V
	"L" Level	V <sub>IL</sub> (1)			GND	~	1.0	
Input Voltage	"H" Level	V <sub>IH</sub> (2)	—	CS1, CS2 terminal	V <sub>DD</sub> × 0.7	~	V <sub>DD</sub>	V
	"L" Level	V <sub>IL</sub> (2)			GND	~	V <sub>DD</sub> × 0.3	
Input Current	"H" Level	I <sub>IH</sub>	—	CK, DATA, STB, CS1, CS2 terminal V <sub>IH</sub> = 15V V <sub>IL</sub> = 0V	-1.0	~	1.0	μA
	"L" Level	I <sub>IL</sub>			-1.0	~	1.0	
Operating Frequency Range		f <sub>op</sub>	—	CK, DATA, STB terminal	0	~	1.0	MHz
Minimum Clock Frequency		T <sub>ck</sub>	—		0.5	—	—	μs
Volume Resistance Value		R <sub>VR</sub>	—	Loudness "OFF"	18.5	27.5	36.5	kΩ
Step Deviation		ΔVR	—	Volume step deviation	-1.2	~	1.2	dB
Analog Switch ON Resistance		R <sub>ON</sub>	—	Internal analog switch	—	350	600	Ω
Analog Switch OFF Leak Current		I <sub>OFF</sub>			-0.1	~	0.1	μA
Total Harmonic Distortion		THD	1	f <sub>IN</sub> = 1kHz V <sub>IN</sub> = 1V <sub>rms</sub> R <sub>G</sub> = 600Ω, R <sub>L</sub> = 100kΩ BW = 20Hz~20kHz	—	0.005	—	%
Maximum Attenuation		ATT <sub>MAX</sub>			—	100	—	dB
Output Noise Voltage		V <sub>N</sub>			—	1.0	—	μV <sub>rms</sub>
Cross Talk		C·T			—	100	—	dB

TEST CIRCUIT 1 ( $I_{DD}$ /THD/ATT<sub>MAX</sub>/V<sub>N</sub>/C-T)



APPLICATION CIRCUIT (TC9211P)

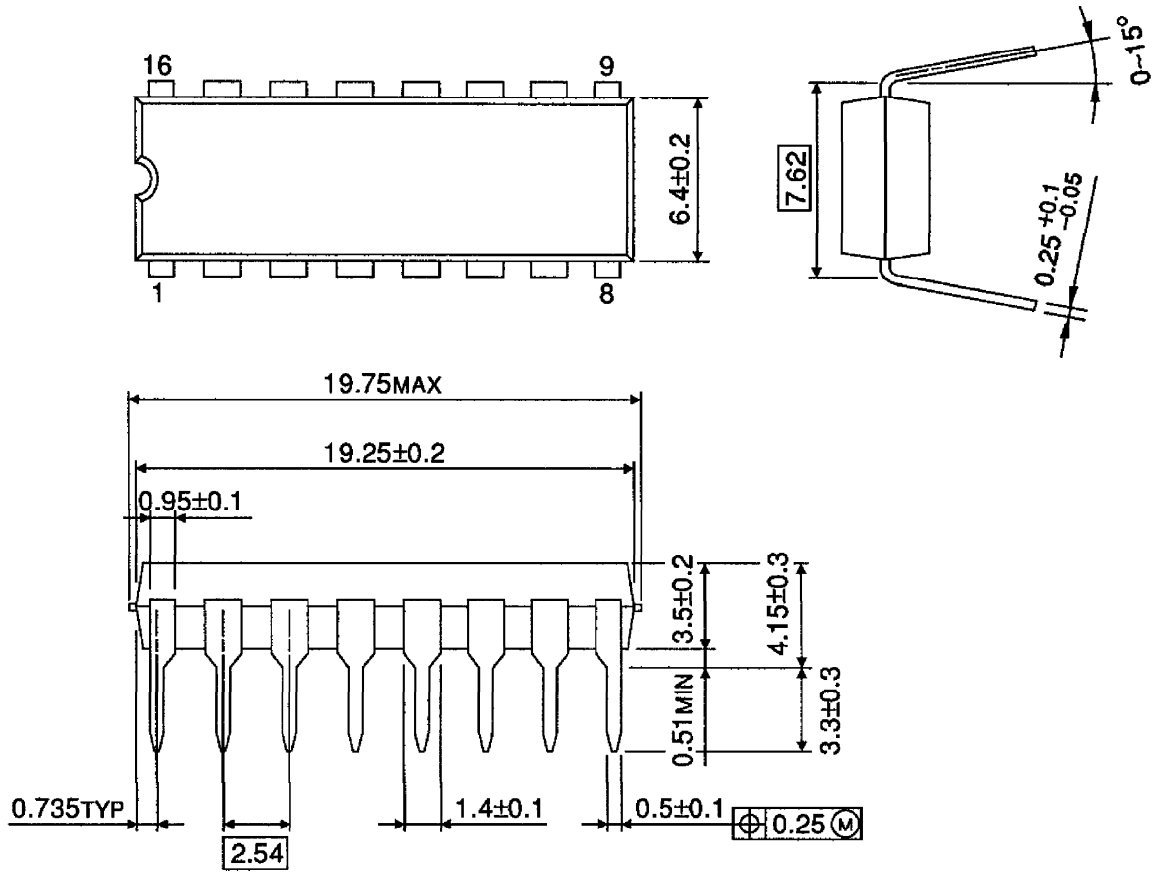


\* For preventing noise when loudness is turned on or off.  $R = 220k\Omega \sim 470k\Omega$

(Note) High-frequency digital signals are input to pins CK, DATA and STB. Since these signals may cause noise in analog circuits, either use shield wire for CK, DATA, and STB signal lines, or design the pattern so that these signal lines are protected by the ground line.

**OUTLINE DRAWING**  
DIP16-P-300-2.54A

Unit : mm

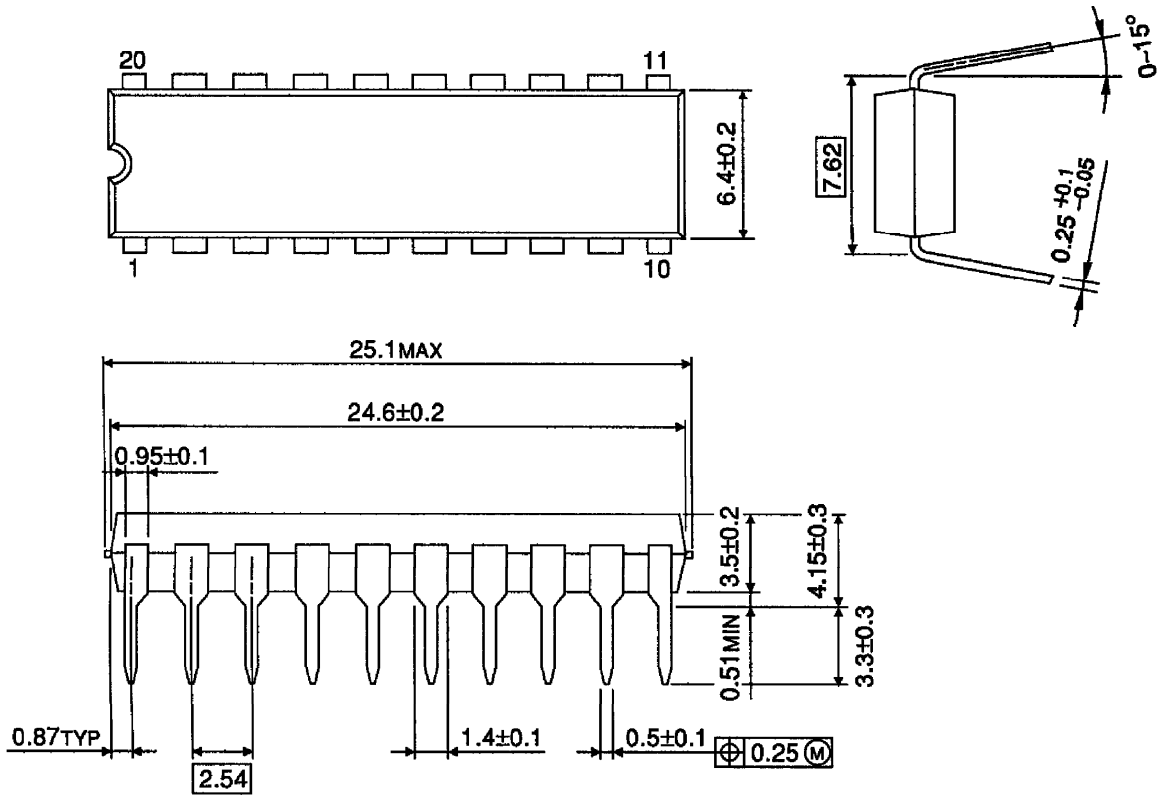


Weight : 1.0g (Typ.)



OUTLINE DRAWING  
DIP20-P-300-2.54A

Unit : mm



Weight : 1.4g (Typ.)