

### Product Specifications

#### Features

- Ultra high-performance EPLD
  - 5 ns pin-to-pin speed on all fast inputs
  - 167 MHz maximum clock frequency
- New low power XC7336Q
- 100% routable with 100% utilization
- Incorporates four PAL-like 24V9 Fast Function Blocks
- 36 Output Macrocells
  - Programmable I/O architecture
  - 24 mA drive
- High-performance  $\mu$ P compatible
- Peripheral Component Interface (PCI) compatible
- JEDEC standard 3.3 V or 5 V I/O operation
- Multiple security bits for design protection
- 44-pin leaded chip carrier and 44-pin quad flat pack packages

#### General Description

The XC7336 is a member of the Xilinx XC7300 EPLD family. It consists of four PAL-like 24V9 Fast Function Blocks

interconnected by the 100%-populated Universal Interconnect Matrix (UIM™).

Each Fast Function Block has 24 inputs and contains nine Macrocells configurable for registered or combinational logic. The nine Macrocell outputs feed back to the UIM and can simultaneously drive the output pads.

The UIM allows 100% connectivity between all function blocks and input pins, providing the ability to utilize 100% of the device while eliminating routing issues.

The XC7336 is designed in 0.8  $\mu$  CMOS EPROM technology, in speed grades ranging from 5 to 15 ns. The XC7336Q is also available now, providing lower power consumption in -10, -12 and -15 ns speed grades.

Device logic is automatically configured to the user's specifications using the XEPLD software. The XEPLD software is capable of optimizing and collapsing logic. The SMART-switch software/hardware feature allows implementation of buried combinatorial logic functions in the UIM, thus increasing device utilization. The XEPLD software supports third party schematic capture and HDL entry tools, as well as direct equation-based text files. Using a workstation or PC platform, designs are automatically mapped into the XC7336 in a matter of minutes.

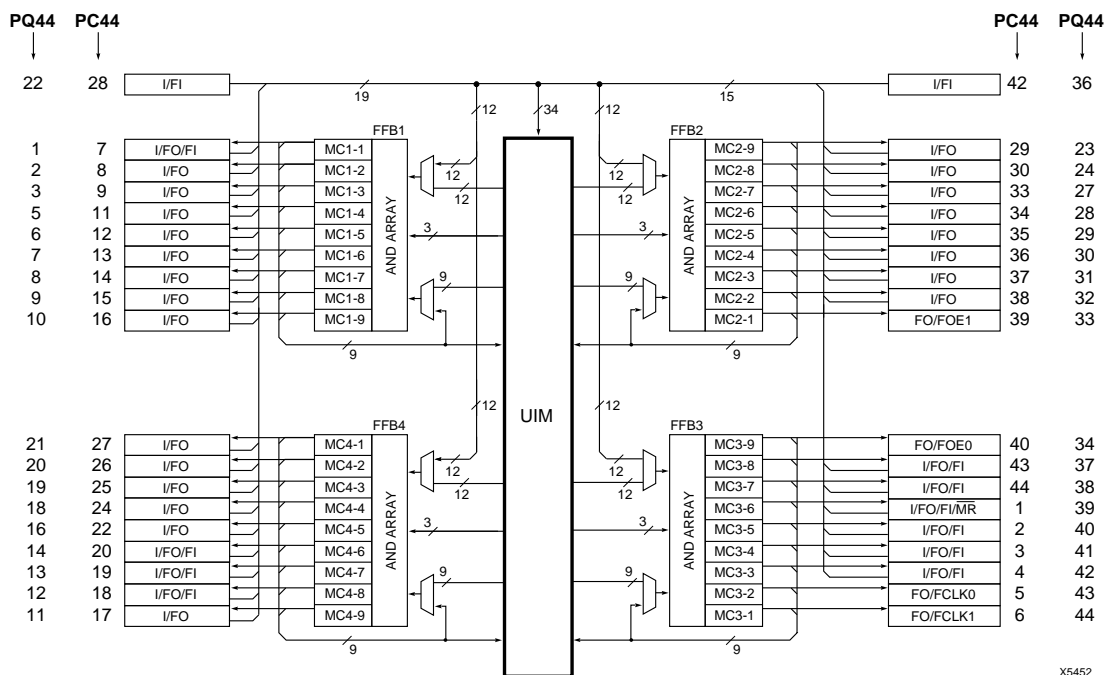


Figure 1. XC7336 Functional Block Diagram

**Fast Function Blocks (FFB)**

The XC7336 provides four Fast Function Blocks which have 24 inputs that can be individually selected from the UIM, 12 fast input pins, or the 9 Macrocell feedbacks from the Function Block. The programmable AND array in each Fast Function Block generates 45 product terms to drive nine Macrocells in each FFB. Each Macrocell (Figure 2), can be configured for registered or combinatorial logic.

Five product terms from the programmable AND array are allocated to each Macrocell. Four of these product terms are ORed together and may be optionally inverted before driving the input of a programmable D-type flip-flop. The fifth product term drives the asynchronous active-High programmable Reset or Set Input to the Macrocell flip-flop. The flip-flop can be configured as a D-type or Toggle flip-flop or transparent for combinatorial outputs.

The programmable clock source is one of two global Fast-CLK signals (FCLK0 or FCLK1) that are distributed with short delay and minimal skew over the entire chip.

**I/O Block**

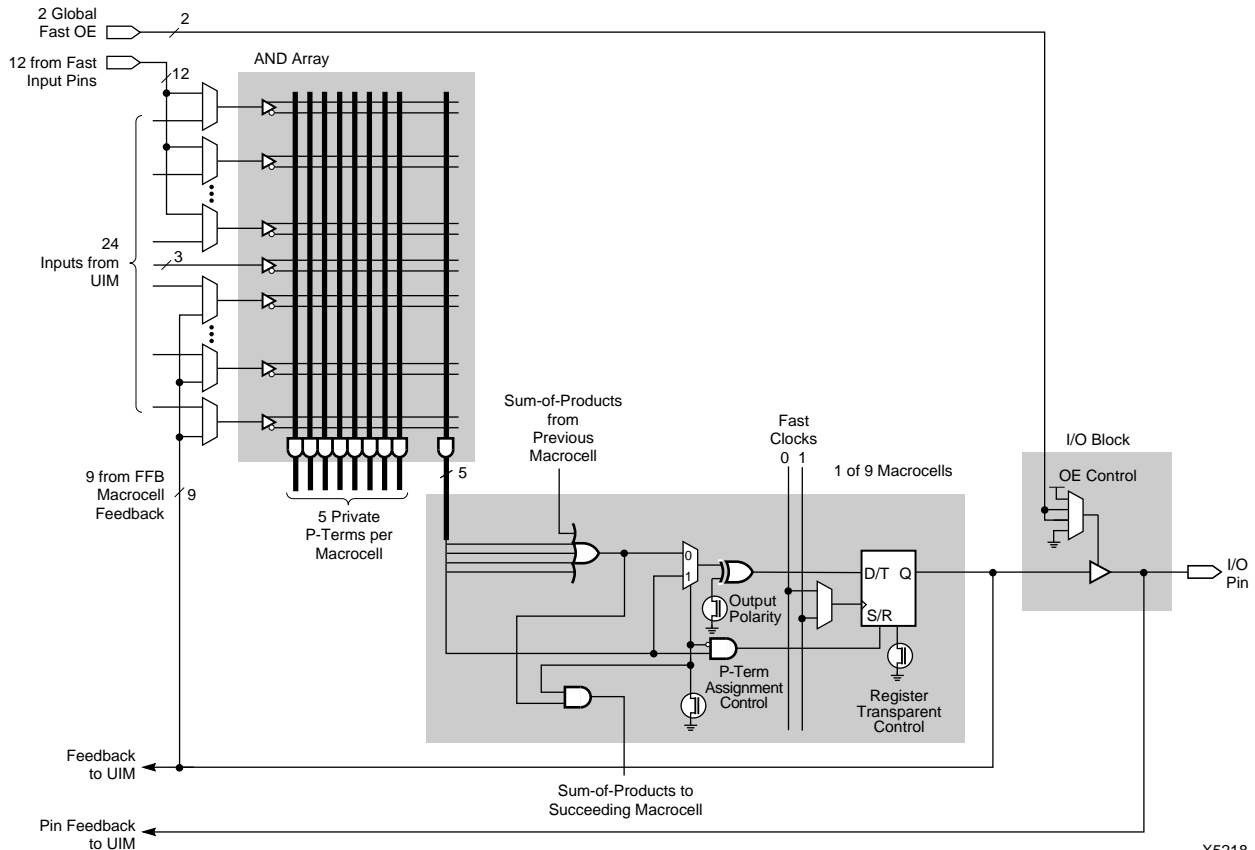
The Fast Function Block Macrocells drive chip outputs directly through 3-state output buffers. Each output buffer can be individually controlled by one of two dedicated active-High Fast Output Enable inputs or permanently

enabled or disabled. The Macrocell output can also be routed back as an input to the Fast Function Block, and the UIM.

**Power-On Characteristics/Master Reset**

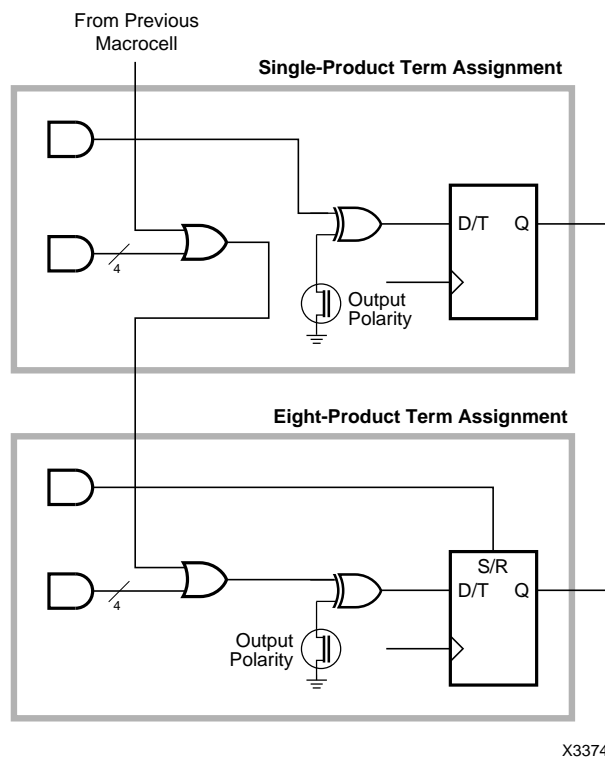
The XC7336 device undergoes a short internal initialization sequence upon device powerup. During this time ( $t_{RESET}$ ), the outputs remain 3-stated while the device is configured from its internal EPROM array and all registers are initialized. If the  $\overline{MR}$  pin is tied to  $V_{CCINT}$ , the initialization sequence is completely transparent to the user and is completed in  $t_{RESET}$  after  $V_{CCINT}$  has reached 4.75 V. If  $\overline{MR}$  is held low while the device is powering up, the internal initialization sequence begins and outputs will remain 3-stated until the sequence is complete and  $\overline{MR}$  is brought High.  $V_{CC}$  rise must be monotonic to insure the initialization sequence is performed correctly.

For additional flexibility, the  $\overline{MR}$  pin is provided so the EPLD can be reinitialized after power is applied. On the falling edge of  $\overline{MR}$ , all outputs become 3-stated and the initialization sequence is started. The outputs will remain 3-stated until the internal initialization sequence is complete and  $\overline{MR}$  is brought High. The minimum  $\overline{MR}$  pulse width is  $t_{WMR}$ . If  $\overline{MR}$  is brought High after  $t_{WMR}$ , but before  $t_{RESET}$ , the outputs will become active after  $t_{RESET}$ .



X5218

**Figure 2. Fast Function Block and Macrocell Schematic**



X3374

**Figure 3. Fast Function Block Product Term Assignment**

### Product Term Assignment

Each Macrocell sum-of-product OR gate can be expanded using the Export product-term assignment feature. The Export function transfers product-terms in increments of four from one Macrocell to the neighboring Macrocell (Figure 3). Complex logic functions requiring up to 36 product-terms can be implemented using all nine Macrocells within the Fast Function Block. When product-terms are assigned to adjacent Macrocells, the product-term normally dedicated to the Set or Reset function becomes the input to the Macrocell register.

### Universal Interconnect Matrix

The UIM receives input from Macrocell outputs, I/O pins, and dedicated input pins. Acting as an unrestricted cross-bar switch, the UIM generates 24 output signals to each

Fast Function Block. Each UIM input can be programmed to connect to any UIM output. The delay through the interconnect matrix is constant.

When multiple inputs are programmed to be connected to the same output, this output produces the logical AND of the input signals. By choosing the appropriate signal polarities at the input pins, Macrocell outputs and Fast Function Block AND-array inputs, this AND logic can also be used to implement wide NAND, OR or NOR functions. This offers an additional level of logic without additional speed penalty.

### 3.3 V or 5 V Interface Configuration

The XC7336 can be used in systems with two different supply voltages: 3.3 V and 5 V. Each XC7336 device has separate  $V_{CC}$  connections to the internal logic ( $V_{CCINT}$ ) and to the I/O pads ( $V_{CCIO}$ ).  $V_{CCINT}$  must always be connected to a 5 V supply.  $V_{CCIO}$  may be connected to either 3.3 V or 5 V, depending on the output interface requirement.

When  $V_{CCIO}$  is connected to 5 V, the input thresholds are TTL levels, and thus compatible with 3.3 V and 5 V logic. The output High levels are also TTL compatible. When  $V_{CCIO}$  is connected to 3.3 V, the input thresholds are still TTL levels, and the outputs pull up to the 3.3 V. This makes the XC7336 ideal for interfacing directly to 3.3 V components. In addition, the output structure is designed so that the I/O can also safely interface to a mixed 3.3 V and 5 V bus simultaneously.

### Low Power (Q) Devices

The XC7336-10, -12 and -15 are available in a low power variant, designated the XC7336Q.

Timing parameters for the XC7336 and the XC7336Q devices are identical. However, the XC7336Q features much lower power consumption. Using the XC7336Q will prove advantageous to any system design where power consumption and EM emissions are critical system parameters.

### Power Management

The XC7336 features a power-management scheme which permits non-speed-critical paths of a design to be operated at reduced power. Overall power dissipation is often reduced significantly, since, in most systems only a few paths are speed critical.

Macrocells can individually be specified for high performance or low power operation by adding attributes to the logic schematic, or declaration statements to the behavioral description. To minimize power dissipation, unused Function Blocks are turned off and unused Macrocells in used Function Blocks are configured for low power operation.

Operating current for each design can be approximated for specific operating conditions using the following equation:

For non-Q devices:

$$I_{CC}(mA) = MC_{HP} (4.3) + MC_{LP} (3.5) + MC (0.005 \text{ mA/MHz}) f$$

For Q devices: (-10, -12, -15):

$$I_{CC} (mA) = MC_{HP} (2.0) + MC_{LP} (1.6) + MC (0.005 \text{ nA/MHz}) f$$

Where:

- MC<sub>HP</sub> = Macrocells in high-performance mode
- MC<sub>LP</sub> = Macrocells in low-power mode
- MC = Total number of Macrocells used
- f = Clock frequency (MHz)

Figure 4 shows a typical power calculation for the XC7336 device, programmed as two 16-bit counters and operating at the indicated clock frequency.

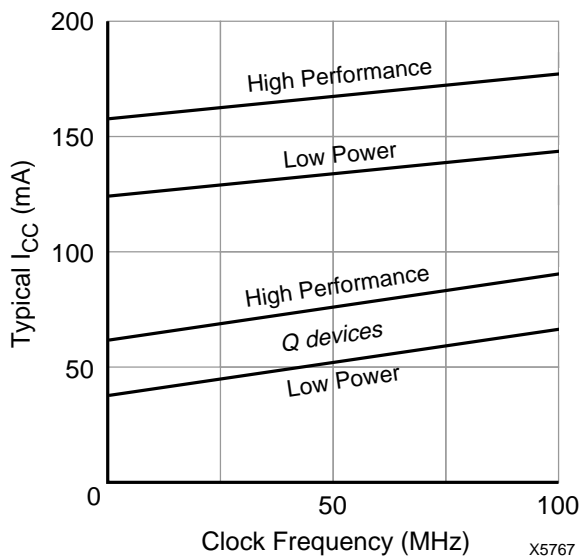


Figure 4. Typical I<sub>CC</sub> vs Frequency for XC7336

### Design Security

The XC7336 has a multibit security system that controls access to the configuration programmed into the device. This security scheme uses multiple EPROM bits at various locations within the EPROM array to offer a higher degree of design security than other EPROM and fused-based devices.

### Prototyping and Programming

Xilinx offers the HW-120 programmer for use during prototyping as well as support from major third party programmer companies. For production volumes, Xilinx and their licensed distributors offer factory programming of the XC7336 devices.

For factory programming procedures, contact your local Xilinx representative.

### XEPLD Translator Software

The designer can create, implement, and verify digital logic circuits for EPLD devices using the Xilinx XEPLD software. Designs can be represented as schematics consisting of XEPLD library components, as behavioral descriptions (Boolean, HDL etc.), or as a combination of both techniques. The XEPLD translator automatically optimizes, collapses, and implements the design as well as writing a programming file without user intervention. At the completion of the compilation process, the XEPLD translator writes detailed report files for design analysis and documentation.

Here are just a few of the XEPLD Development System features:

- Automatic Optimization and Mapping**  
 Designs are automatically minimized and mapped into the devices for optimal efficiency and high performance. Critical logic functions are automatically assigned to special resources such as high speed clocks and global output enable signals. This allows the user to concentrate on design functionality without concern for physical implementation
- Automatic use of UIM Resources – SMARTswitch**  
 The Universal Interconnect Maticx (UIM) used in Xilinx EPLDs provides an additional level of logic at no additional delay. XEPLD automatically uses the inherent logic capability of the UIM when possible to reduce Macrocell requirements and increase speed.
- N-to-1 PAL Conversion Utility**  
 XEPLD automatically combines 20- and 24-pin standard PAL files into one top-level design file, checks for errors, and compiles the design into one or more EPLDs. The N-to-1 PAL converter is ideal for one step logic consolidation and board space reduction.
- Complete Design Control**  
 Users have the option to override the automatic features of XEPLD and selectively control any or all device resources.
- Multiple Platform Support**  
 XEPLD runs on IBM Compatible PCs, Sun, HP700, and IBM RS6000 platforms.

Notice: The information contained in this data sheet pertains to products in the initial production phases of development. These specifications are subject to change without notice. Verify with your local Xilinx sales office that you have the latest data sheet before finalizing a design.

### Absolute Maximum Ratings

Symbol	Parameter	Value	Units
$V_{CC}$	Supply voltage with respect to GND	-0.5 to 7.0	V
$V_{IN}$	DC Input voltage with respect to GND	-0.5 to $V_{CC} + 0.5$	V
$V_{TS}$	Voltage applied to 3-state output with respect to GND	-0.5 to $V_{CC} + 0.5$	V
$T_{STG}$	Storage temperature	-65 to +150	°C
$T_{SOL}$	Maximum soldering temperature (10s @ 1/16 in. = 1.5 mm)	+250	°C

**Warning:** Stresses beyond those listed under Absolute Maximum Ratings may cause permanent damage to the device. These are stress ratings only, and functional operation of the device at these or any other conditions beyond those listed under Recommended Operating Conditions is not implied. Exposure to Absolute Maximum Ratings conditions for extended periods of time may affect device reliability.

### Recommended Operating Conditions

Symbol	Parameter	Min	Max	Units
$V_{CCINT}/V_{CCIO}$	Supply voltage relative to GND Commercial $T_A = 0^\circ\text{C}$ to $70^\circ\text{C}$	4.75	5.25	V
	Supply voltage relative to GND Industrial $T_A = -40^\circ\text{C}$ to $85^\circ\text{C}$	4.50	5.50	V
	Supply voltage relative to GND Military $T_A = -55^\circ\text{C}$ to $T_C = +125^\circ\text{C}$	4.50	5.50	V
$V_{CCIO}$	I/O supply voltage relative to GND	3.0	3.60	V
$V_{IL}$	Low-level input voltage	0	0.80	V
$V_{IH}$	High-level input voltage	2.00	$V_{CC} + 0.5$	V
$V_O$	Output voltage	0	$V_{CCIO}$	V
$T_{IN}$	Input signal transition time		50	ns

DC Characteristics Over Recommended Operating Conditions

Symbol	Parameter		Test Conditions	Min	Max	Units
V <sub>OH</sub>	5 V TTL High-level output voltage		I <sub>OH</sub> = -4.0 mA V <sub>CC</sub> = Min	2.4		V
	3.3 V High-level output voltage		I <sub>OH</sub> = -3.2 mA V <sub>CC</sub> = Min	2.4		V
V <sub>OL</sub>	5 V TTL Low-level output voltage		I <sub>OL</sub> = 24 mA V <sub>CC</sub> = Min		0.5	V
	3.3 V Low-level output voltage		I <sub>OL</sub> = 24 mA V <sub>CC</sub> = Min		0.4	V
I <sub>IL</sub>	Input leakage current		V <sub>CC</sub> = Max V <sub>IN</sub> = GND or V <sub>CCIO</sub>		±10.0	µA
I <sub>OZ</sub>	Output high-Z leakage current		V <sub>CC</sub> = Max V <sub>IN</sub> = GND or V <sub>CCIO</sub>		±10.0	µA
C <sub>IN</sub>	Input capacitance for Input and I/O pins		V <sub>IN</sub> = GND f = 1.0 MHz		6.0	pF
C <sub>IN</sub>	Input capacitance for global control pins (FCLK0, FCLK1, FOE0, FOE1)		V <sub>IN</sub> = GND f = 1.0 MHz		8.0	pF
C <sub>OUT</sub> <sup>1</sup>	Output capacitance		V <sub>IN</sub> = GND f = 1.0 MHz		10.0	pF
I <sub>CC</sub> <sup>2</sup>	Supply current	(Non-Q)	V <sub>IN</sub> = V <sub>CC</sub> or GND	126 Typ		mA
		(Q)	V <sub>CCOUT</sub> = V <sub>CCCO</sub> = 5V f = 1.0 MHz @ 25°C	55 Typ		

Preliminary

Power-up/Reset Timing Parameters

Symbol	Parameter	Min	Typ	Max	Units
t <sub>WMR</sub>	Master Reset input Low pulse width	100			ns
t <sub>RESET</sub>	Configuration completion time		80	160	µs

- Notes: 1. Sample tested.  
2. Measured with device programmed as two 16-bit counters.

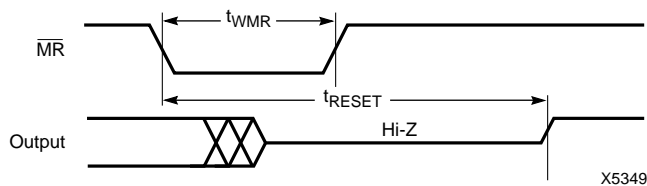


Figure 5. Global Reset Waveform

### Fast Function Block (FFB) External AC Characteristics<sup>3</sup>

Symbol	Parameter	XC7336-5		XC7336-7		XC7336-10		XC7336-12		XC7336-15		Units
		Min	Max	Min	Max	Min	Max	Min	Max	Min	Max	
$t_{PD}$	Fast input to output valid <sup>4</sup>		5.0		7.5		10.0		12.0		15.0	ns
	I/O or input to output valid <sup>4</sup>		8.5		12.0		15.0		19.0		23.0	ns
$t_{SU}$	Fast input setup time before FCLK	4.5		5.0		5.0		6.0		7.0		ns
	I/O or input setup time before FCLK	7.0		8.5		10.0		13.0		15.0		ns
$t_H$	Fast, I/O or input hold time after FCLK	0		0		0		0		0		ns
$t_{CO}$	FCLK input to output valid		4.5		4.5		8.0		9.0		12.0	ns
$t_{FOE}$	FOE input to output valid		7.0		7.5		10.0		12.0		15.0	ns
$t_{FOD}$	FOE input to output disable		7.0		7.5		10.0		12.0		15.0	ns
$f_{MAX}$	Max count frequency <sup>4</sup>	167.0		125.0		100.0		80.0		66.7		MHz
$t_{WLH}$	Fast Clock pulse width	3.0		4.0		5.0		5.5		6.0		ns

Notes: 3. All appropriate ac specifications tested using Figure 7 as test load circuit.  
 4. Assumes four product terms per output.

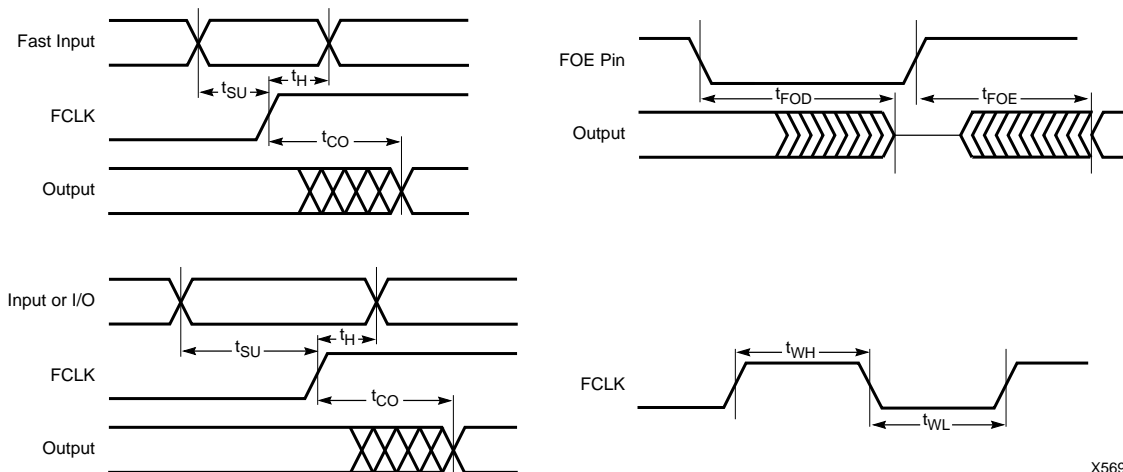
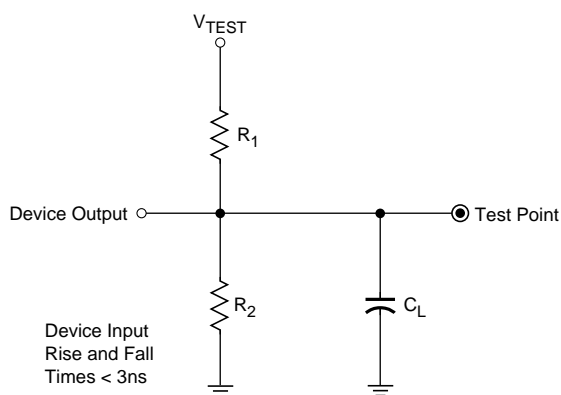


Figure 6. Switching Waveforms



$V_{CCIO}$ Level	$V_{TEST}$	$R_1$	$R_2$	$C_L$
5 V	5.0 V	160 $\Omega$	120 $\Omega$	35 pF
3.3 V	3.3 V	260 $\Omega$	360 $\Omega$	35 pF

X5222

Figure 7. AC Load Circuit

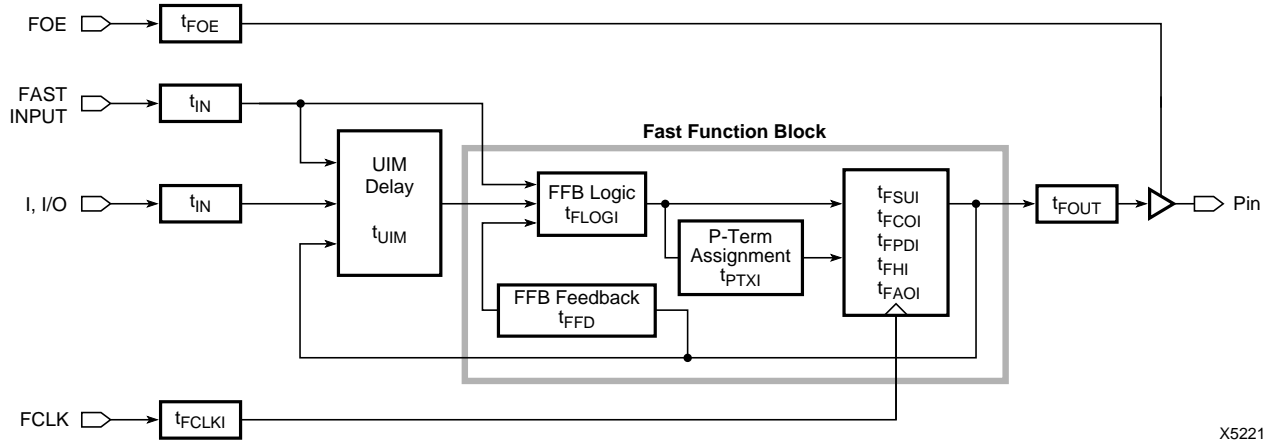


Figure 8. XC7336 Timing Model

X5221

### Timing Model

Timing within the XC7336 is accurately determined using external timing parameters from the device data sheet, using a variety of CAE simulators, or with the timing model shown in Figure 8.

The timing model is based on the fixed internal delays of the XC7336 architecture which consists of three basic parts: I/O Blocks, the UIM and Fast Function Blocks. The timing model identifies the internal delay paths and their relationships to ac characteristics. Using this model and the ac characteristics, designers can easily calculate the timing information for the XC7336.

### Fast Function Block (FFB) Internal AC Characteristics

Symbol	Parameter	XC7336-5		XC7336-7		XC7336-10		XC7336-12		XC7336-15		Units
		Min	Max	Min	Max	Min	Max	Min	Max	Min	Max	
t <sub>FLOGI</sub>	FFB logic array delay <sup>5</sup>		1.0		1.5		1.5		2.0		2.0	ns
t <sub>FLOGILP</sub>	Low-power FFB logic array delay <sup>5</sup>		2.0		3.5		5.5		7.0		8.0	ns
t <sub>FSUI</sub>	FFB register setup time	2.5		1.5		2.5		3.0		4.0		ns
t <sub>FHI</sub>	FFB register hold time	1.0		2.5		2.5		3.0		3.0		ns
t <sub>FCOI</sub>	FFB register clock-to-output delay		1.0		1.0		1.0		1.0		1.0	ns
t <sub>FPDI</sub>	FFB register pass through delay		0.5		0.5		0.5		1.0		1.0	ns
t <sub>FAOI</sub>	FFB register async. set delay		2.0		2.0		2.5		3.0		4.0	ns
t <sub>PTXI</sub>	FFB p-term assignment delay		0.6		0.8		1.0		1.2		1.5	ns
t <sub>FFD</sub>	FFB feedback delay		0.5		4.0		5.0		6.5		8.0	ns

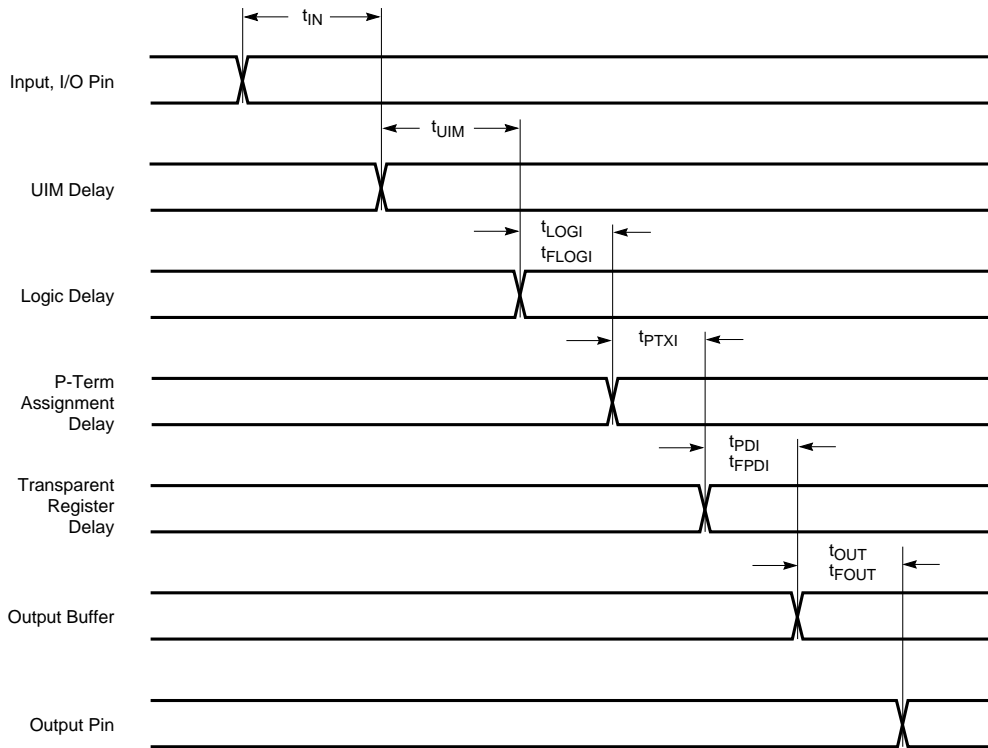
Notes: 5. Specifications account for logic paths that use the maximum number of available product terms for a given Macrocell.

### Internal AC Characteristics

Symbol	Parameter	XC7336-5		XC7336-7		XC7336-10		XC7336-12		XC7336-15		Units
		Min	Max	Min	Max	Min	Max	Min	Max	Min	Max	
t <sub>IN</sub>	Input pad and buffer delay		1.5		2.5		3.5		4.0		5.0	ns
t <sub>FOUT</sub>	FFB output buffer and pad delay		2.0		3.0		4.5		5.0		7.0	ns
t <sub>UIM</sub>	Universal Interconnect Matrix delay		3.5		4.5		5.0		7.0		8.0	ns
t <sub>FCLKI</sub>	Fast clock buffer delay		1.5		1.5		2.5		3.0		4.0	ns

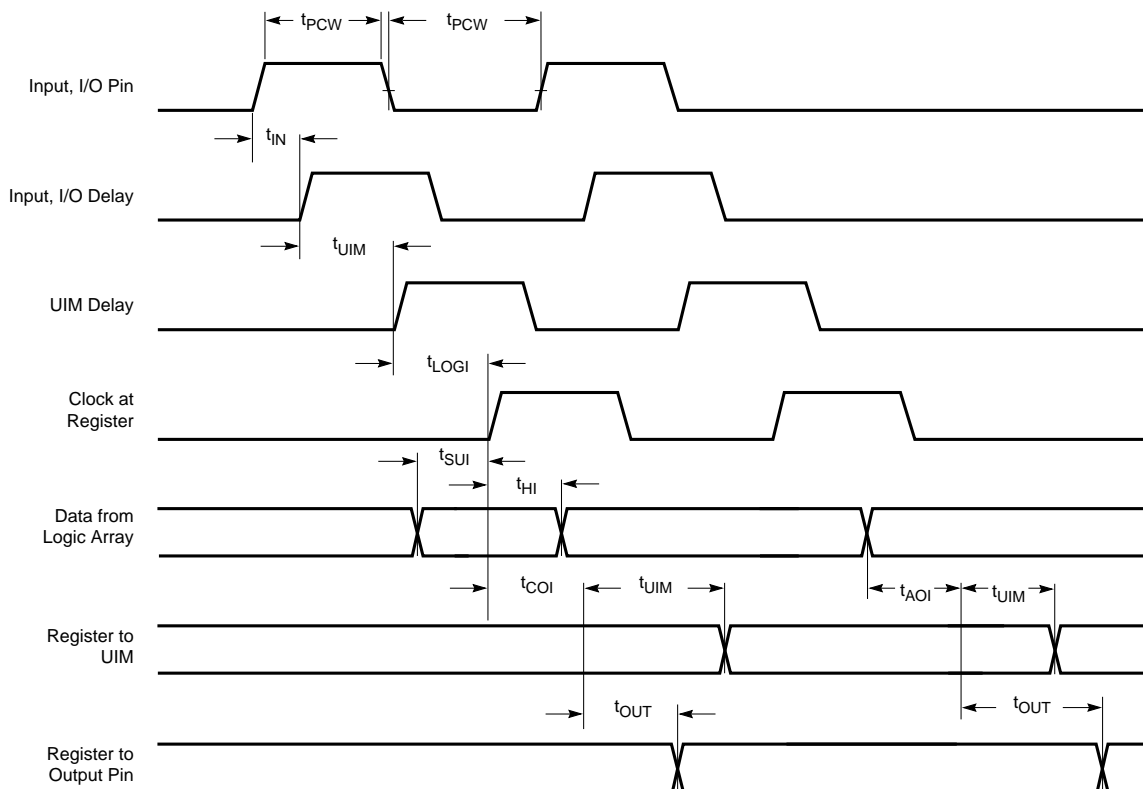


## Combinatorial Switching Characteristics



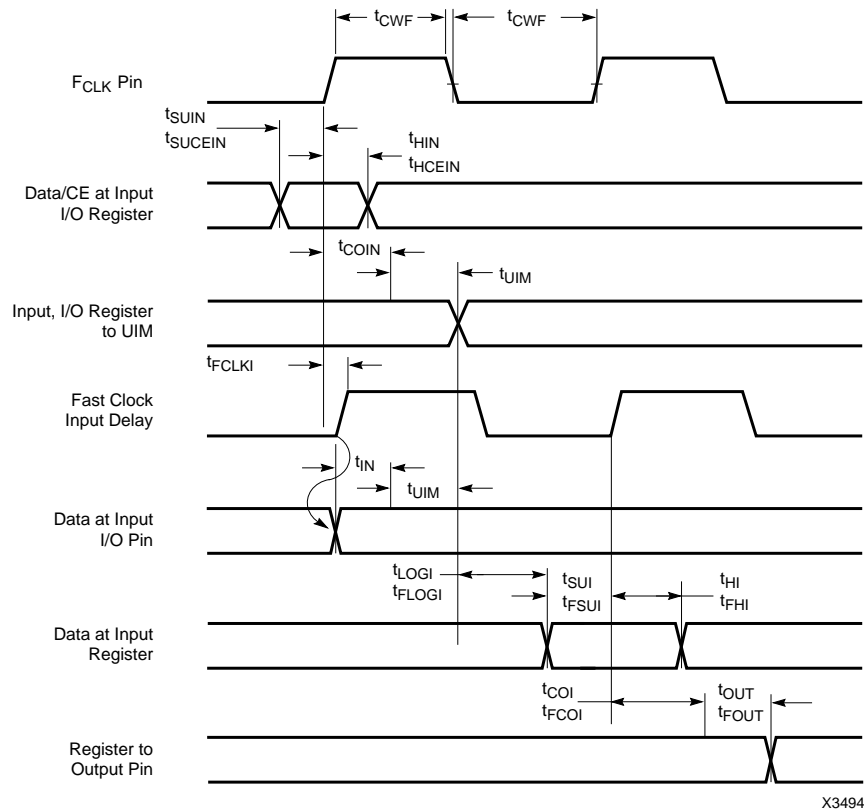
X3339

## Asynchronous Clock Switching Characteristics



X3580

### Synchronous Clock Switching Characteristics



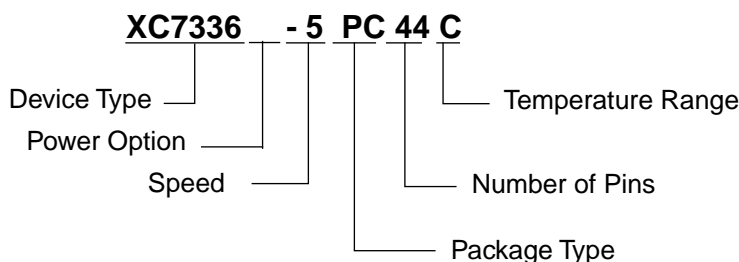
X3494

### XC7336 Pinouts

PQ44	PC44	Input	XC7336	Output
39	1	I/FO/FI	$\overline{MR}$	MC3-6
40	2	I/FO/FI		MC3-5
41	3	I/FO/FI		MC3-4
42	4	I/FO/FI		MC3-3
43	5	FO/FCLK0		MC3-2
44	6	FO/FCLK1		MC3-1
1	7	I/FO/FI		MC1-1
2	8	I/FO		MC1-2
3	9	I/FO		MC1-3
4	10		<b>GND</b>	
5	11	I/FO		MC1-4
6	12	I/FO		MC1-5
7	13	I/FO		MC1-6
8	14	I/FO		MC1-7
9	15	I/FO		MC1-8
10	16	I/FO		MC1-9
11	17	I/FO		MC4-9
12	18	I/FO/FI		MC4-8
13	19	I/FO/FI		MC4-7
14	20	I/FO/FI		MC4-6
15	21		$V_{CCINT}$	
16	22	I/FO		MC4-5

PQ44	PC44	Input	XC7336	Output
17	23		<b>GND</b>	
18	24	I/FO		MC4-4
19	25	I/FO		MC4-3
20	26	I/FO		MC4-2
21	27	I/FO		MC4-1
22	28	I/FI		
23	29	I/FO		MC2-9
24	30	I/FO		MC2-8
25	31		<b>GND</b>	
26	32		$V_{CCIO}$	
27	33	I/FO		MC2-7
28	34	I/FO		MC2-6
29	35	I/FO		MC2-5
30	36	I/FO		MC2-4
31	37	I/FO		MC2-3
32	38	I/FO		MC2-2
33	39	FO/FOE1		MC2-1
34	40	FO/FOE0		MC3-9
35	41		$V_{CCINT}/V_{PP}$	
36	42	I/FI		
37	43	I/FO/FI		MC3-8
38	44	I/FO/FI		MC3-7

## Ordering Information



### Power Options

Q Low Power -10, -12, -15 speeds

### Speed Options

-15 15 ns pin-to-pin delay  
 -12 12 ns pin-to-pin delay  
 -10 10 ns pin-to-pin delay  
 -7 7.5 ns pin-to-pin delay (commercial only)  
 -5 5 ns pin-to-pin delay (commercial only)

### Packaging Options

PC44 44-Pin Plastic Leaded Chip Carrier  
 WC44 44-Pin Windowed Ceramic Leaded Chip Carrier  
 PQ44 44-Pin Plastic Quad Flat Pack

### Temperature Options

C Commercial 0°C to 70°C  
 I Industrial -40°C to 85°C

## Component Availability

Pins Type	44			68		84		100	144	160	225	
	Plastic PLCC	Ceramic CLCC	Plastic PQFP	Plastic PLCC	Ceramic CLCC	Plastic PLCC	Ceramic CLCC	Plastic PQFP	Ceramic PGA	Plastic PQFP	Plastic BGA	Windowed BGA
Code	PC44	WC44	PQ44	PC68	WC68	PC84	WC84	PQ100	PG144	PQ160	BG225	WB225
<b>XC7336</b>	-15	CI	CI	C								
	-12	CI	CI	C								
	-10	CI	CI	C								
	-7	C	C	C								
	-5	C	C	C								

C = Commercial = 0° to +70°C I = Industrial = -40° to 85°C

X5650

