

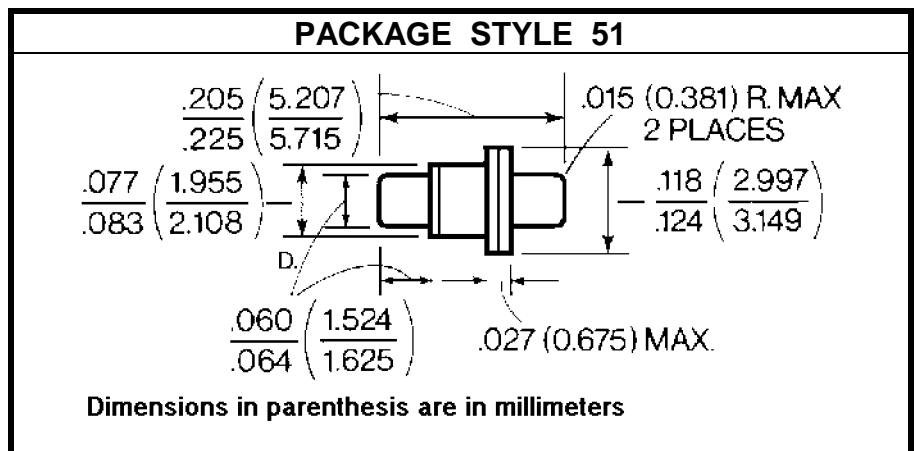
SILICON ABRUPT TUNING VARACTOR DIODE

DESCRIPTION:

The **MA45851** is a Silicon Abrupt Tuning Varactor.

MAXIMUM RATINGS

| | |
|-------------------------|---------------------------------|
| I | 100 mA |
| V | 45 V |
| P_{DISS} | 500 mW @ T _C = 25 °C |
| T_J | -65 °C to +150 °C |
| T_{STG} | -65 °C to +175 °C |


CHARACTERISTICS T_C = 25 °C

| SYMBOL | TEST CONDITIONS | MINIMUM | TYPICAL | MAXIMUM | UNITS | |
|------------------|-----------------------------------|-------------|---------|---------|-------|--------|
| V _B | I _R = 10 μA | 45 | | | V | |
| I _R | V _R = 36 V | | | 100 | μA | |
| C _{T-4} | V _R = 4.0 V | f = 1.0 MHz | 1.08 | 1.20 | 1.32 | pF |
| ΔC _T | C _{T0} /C _{T45} | f = 1.0 MHz | 4.2 | | | |
| Q | V _R = 4.0 V | f = 50 MHz | 2500 | | | |
| T _{CC} | V _R = 4.0 V | f = 1.0 MHz | | 300 | | PPM/°C |