

## 16-Bit to 32-Bit, DeMux PCI Hot-Plug Bus Switch with -1.5V Undershoot Protection

### Features

- $R_{ON}$  is  $5\Omega$  typical
- Pull-up on B1 and B2 ports
- Undershoot protection on A-port only:  $-1.5V$
- Low Power:  $70\mu A$  typical
- Industrial Operation Temperature:  $-40^{\circ}C$  to  $+85^{\circ}C$
- Near-Zero propagation delay
- Switching speed:  $5ns$  max.
- Channel on capacitance:  $15pF$  max.
- $V_{CC}$  Operating Range:  $+4.5V$  to  $+5.5V$
- ESD  $>2000V$  . . . Human Body Model
- $>100$  MHz bandwidth (or clock rate) at  $20pF$  load capacitance
- Packaging (Pb-free & Green available)
  - 56-pin TSSOP (A)

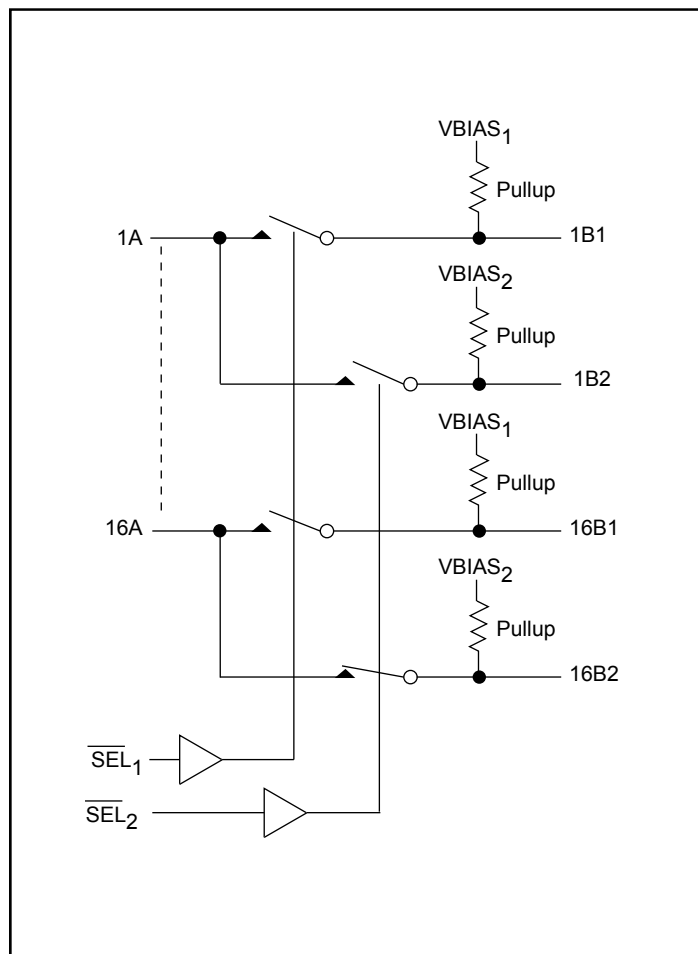
### Description

Pericom Semiconductor's PI5C32160C is a 16 to 32-bit demultiplexer bus switch. Industry leading advantages include a propagation delay of  $250ps$ , resulting from  $5\Omega$  channel resistance, and low I/O capacitance. A port demultiplexes to either 1B and 2B or to both. The switch is bidirectional.

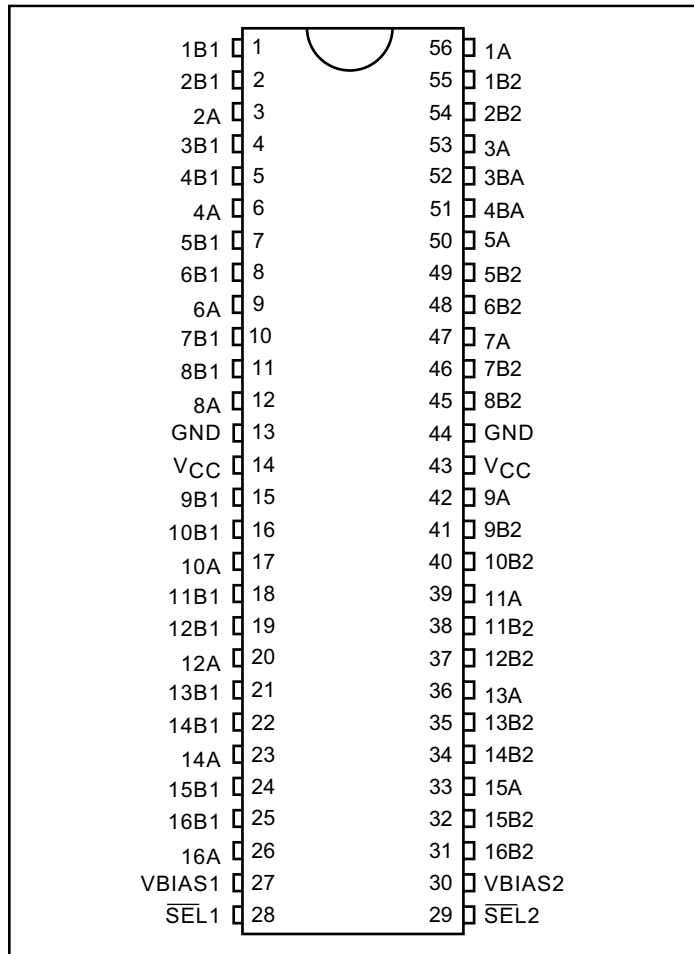
### Application

Provides PCI Hot-Plugging

### Block Diagram



### Pin Description



### Maximum Ratings

(Above which the useful life may be impaired. For user guidelines, not tested.)

Storage Temperature .....	-65°C to +150°C
Ambient Temperature with Power Applied .....	-40°C to +85°C
Supply Voltage to Ground Potential (Inputs & V <sub>CC</sub> Only).....	-0.5V to +7.0V
Supply Voltage to Ground Potential (Outputs & D/O Only) ..	-0.5V to +7.0V
DC Input Voltage .....	-0.5V to +7.0V
DC Output Current.....	120mA
Power Dissipation .....	0.5W

**Note:**

Stresses greater than those listed under MAXIMUM RATINGS may cause permanent damage to the device. This is a stress rating only and functional operation of the device at these or any other conditions above those indicated in the operational sections of this specification is not implied. Exposure to absolute maximum rating conditions for extended periods may affect reliability.

### DC Electrical Characteristics (Over the Operating Range, T<sub>A</sub> = -40°C to +85°C, V<sub>CC</sub> = 5V ±10%, V<sub>BIAS</sub> = 1.3V to V<sub>CC</sub>)

Parameters	Description	Test Conditions <sup>(1)</sup>	Min.	Typ <sup>(2)</sup>	Max.	Units
V <sub>IH</sub>	Input HIGH Voltage	Guaranteed Logic HIGH Level	2.0			V
V <sub>IL</sub>	Input LOW Voltage	Guaranteed Logic LOW Level	-0.5		0.8	
I <sub>IH</sub>	Input HIGH Current	V <sub>CC</sub> = Max., V <sub>IN</sub> = V <sub>CC</sub>			±1	μA
I <sub>IL</sub>	Input LOW Current	V <sub>CC</sub> = Max., V <sub>IN</sub> = GND			±1	
I <sub>OZH</sub>	High Impedance Output Current	A = 0V or V <sub>CC</sub> Max., V <sub>BIAS1</sub> = V <sub>BIAS2</sub> = V <sub>CC</sub> Max.			±1	
I <sub>OZL</sub>	Low Impedance Output Current	B = 0V, V <sub>BIAS1</sub> = V <sub>BIAS2</sub> = V <sub>CC</sub> Max.	0.25		5	mA
		B = V <sub>CC</sub> max., V <sub>BIAS1</sub> = V <sub>BIAS2</sub> = V <sub>CC</sub> Max.	-1.0			μA
V <sub>IK</sub>	Clamp Diode Voltage	V <sub>CC</sub> = Min., I <sub>IN</sub> = -18mA		-0.7	-1.8	V
R <sub>ON</sub>	Switch On-Resistance <sup>(4)</sup>	V <sub>CC</sub> = Min., V <sub>IN</sub> = 0.0V, I <sub>ON</sub> = 48mA		5	8	Ω
		V <sub>CC</sub> = Min., V <sub>IN</sub> = 2.4V, I <sub>ON</sub> = 15mA		10	15	

### Truth Table

Function	$\overline{SEL}_1$	$\overline{SEL}_2$
N <sub>A</sub> to N <sub>B1</sub>	L	H
N <sub>A</sub> to N <sub>B2</sub>	H	L
N <sub>A</sub> to N <sub>B1</sub> and N <sub>B2</sub>	L	L
N <sub>B1</sub> , N <sub>B2</sub> to V <sub>BIAS</sub>	H	H

**Capacitance** ( $T_A = 25^\circ\text{C}$ ,  $f = 1\text{ MHz}$ )

Parameters <sup>(5)</sup>	Description	Test Conditions	Typ.	Max.	Units
$C_{IN}$	Input Capacitance	$V_{IN} = 0\text{V}$	3.5		pF
$C_{OFF}$	A/B Capacitance, Switch Off		6.5		
$C_{ON}$	A/B Capacitance, Switch On		13.5		

**Notes:**

- For Max. or Min. conditions, use appropriate value specified under Electrical Characteristics for the applicable device type.
- Typical values are at  $V_{CC} = 5.0\text{V}$ ,  $T_A = 25^\circ\text{C}$  ambient and maximum loading.
- Not more than one output should be shorted at one time. Duration of the test should not exceed one second.
- Measured by the voltage drop between A and B pins at indicated current through the switch. On-Resistance is determined by the lower of the voltages on the two (A & B) pins.
- This parameter is determined by device characterization but is not production tested.

**Power Supply Characteristics**

Parameters	Description	Test Conditions <sup>(1)</sup>		Min.	Typ <sup>(2)</sup>	Max.	Units
$I_{CC}$	Quiescent Power Supply Current	$V_{CC} = \text{Max.}$	$V_{IN} = \text{GND or } V_{CC}$		70	200	$\mu\text{A}$
$\Delta I_{CC}$	Supply Current per Input @ TTL HIGH	$V_{CC} = \text{Max.}$	$V_{IN} = 3.4\text{V}^{(3)}$ other pin= $V_{CC}$ or GND			2.5	mA
$I_{CCD}$	Supply Current per Input per MHz <sup>(4)</sup>	$V_{CC} = \text{Max.}$ , A and B Pins Open Control Input Toggling 50% Duty Cycle				0.25	mA/ MHz

**Notes:**

- For Max. or Min. conditions, use appropriate value specified under Electrical Characteristics for the applicable device.
- Typical values are at  $V_{CC} = 5.0\text{V}$ ,  $+25^\circ\text{C}$  ambient.
- Per TTL driven input ( $V_{IN} = 3.4\text{V}$ , control inputs only); A and B pins do not contribute to  $I_{CC}$ .
- This current applies to the control inputs only and represent the current required to switch internal capacitance at the specified frequency. The A and B inputs generate no significant AC or DC currents as they transition. This parameter is not tested, but is guaranteed by design.
- Values for these conditions are examples of the  $I_{CC}$  formula. These limits are guaranteed but not tested.

**Switching Characteristics over Operating Range**

Parameters	Description	Test Conditions <sup>(1)</sup>	PI5C32160C			Units
			Com.			
			Min.	Typ.	Max.	
$t_{PLH}$ $t_{PHL}$	Propagation Delay <sup>(2,3)</sup> A to B	$C_L = 50\text{pF}$ $R_L = 500\Omega$		0.25		ns
$t_{PZH}$ $t_{PZL}$	Bus Enable Time SEL TO A,B		1.3		5.0	
$t_{PHZ}$ $t_{PLZ}$	Bus Disable Time SEL to A,B		0.5		5.0	

**Notes:**

- See test circuit and waveforms.
- This parameter is guaranteed but not tested on Propagation Delays.
- The bus switch contributes no propagational delay other than the RC delay of the On-Resistance of the switch and the load capacitance. The time constant for the switch alone is of the order of 0.25ns for 50pF load. Since this time constant is much smaller than the rise/fall times of typical driving signals, it adds very little propagational delay to the system. Propagational delay of the bus switch when used in a system is determined by the driving circuit on the driving side of the switch and its interaction with the load on the driven side.

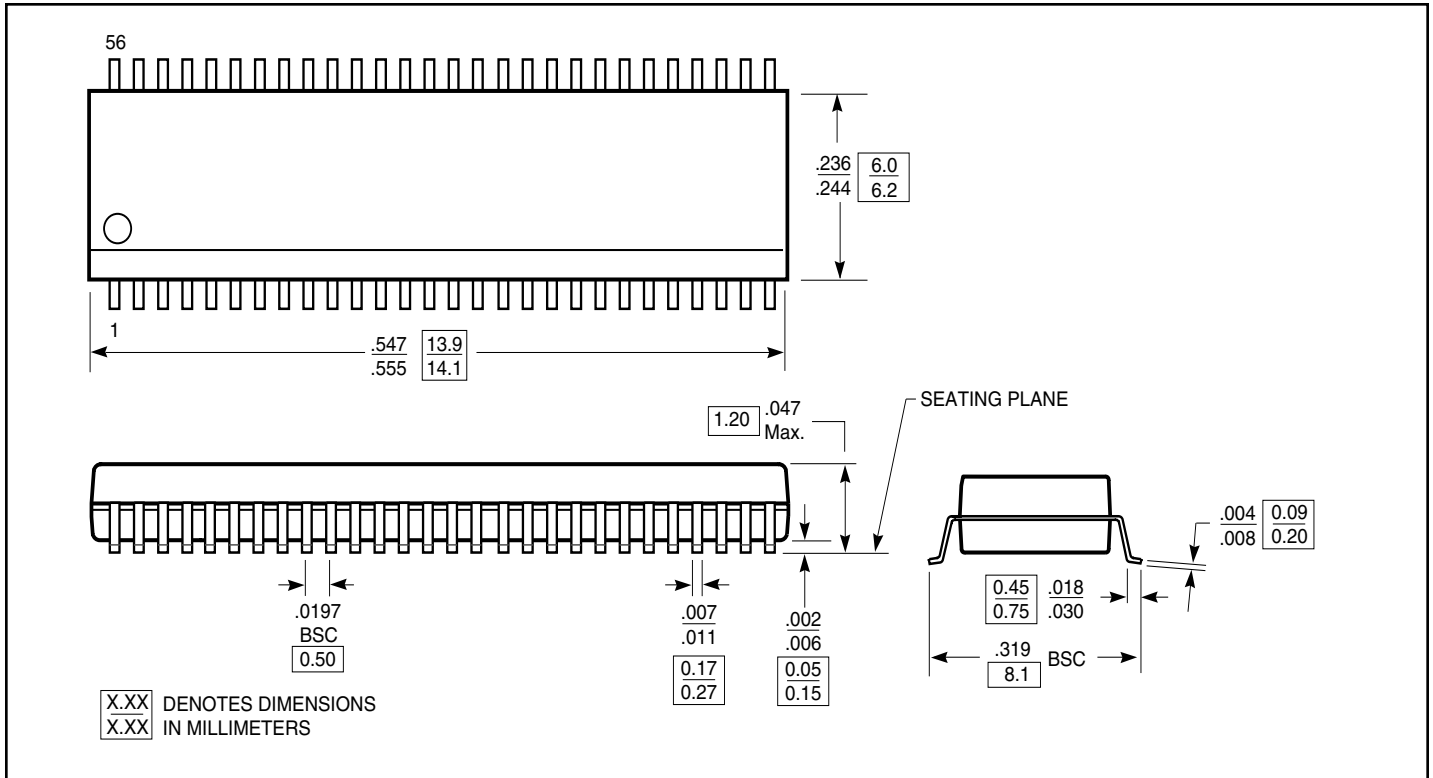
## Applications Information

### Logic Inputs

The logic control inputs can be driven up to +5.5V regardless of the supply voltage. For example, given a +5.0V supply, IN may be driven low to 0V and high to 5.5V. Driving IN Rail-to-Rail® minimizes power consumption. Proper power-supply sequencing is recommended for all CMOS devices. Always apply  $V_{CC}$  before applying  $V_{bias}$  and signals to the input/output pins.

*Rail-to-Rail is a registered trademark of Nippon Motorola, Ltd*

## Packaging Mechanical: 56-pin TSSOP (A)



## Ordering Information

Ordering Code	Package Code	Package Description
PI5C32160CA	A	56-pin 240-mil wide, TSSOP
PI5C32160CAE	A	Pb-free & Green, 56-pin 240-mil wide, TSSOP

### Notes:

- Thermal characteristics can be found on the company web site at [www.pericom.com/packaging/](http://www.pericom.com/packaging/)