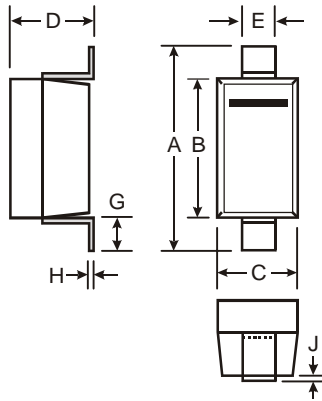
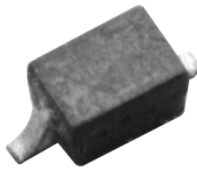


Ideal for Electronic Notebooks & Low Logic Level Applications: Schottky Barrier Diode in Small SOD-323 Package . . . SDM0340L!



SOD-323		
Dim	Min	Max
A	2.30	2.70
B	1.60	1.80
C	1.15	1.35
D	0.80	1.10
E	0.25	0.40
G	0.15	0.45
H	0.10	0.25
J	-	0.10
All Dimensions in mm		

Key Features / Benefits

1. Very small package allows for greater circuit density and reduced PCB area consumption.
2. High breakdown voltage (40V)
3. Low VF (280mV typ / 370mV max @ $I_F=1\text{mA}$)
4. Low capacitance (2pF typ @ $V_R=1\text{V}$, $f=1.0\text{ MHz}$)
5. Guard Ring Die Construction for Transient Protection

End Equipment Applications

- o All portable applications and handheld devices that have a compelling need to be small:
 - o Notebook computers, PDA's, wireless pagers, GPS devices, cell phone applications.
 - o Bar code scanners, telecom and data communications applications.

Crosses to Other Manufacturers' Parts

- Rohm RB751V-40

Availability

- Samples *Now Available*
- Production Quantities stock to 6 to 8 weeks
- Data Sheet available NOW at: <http://www.diodes.com/datasheets/ds30239.pdf>