

## Triple Low Noise Amplifier/Dual Mixer

### Description

The CXG1130AER is a triple low noise amplifier/dual mixer. This IC is designed using the Sony's GaAs J-FET process.

### Features

- Single 3V power supply operation
- 2-pin control by the on-chip logic circuit
- High gain:  $G_p = 16.5\text{dB}$  (LNA typ.)  
 $G_c = 10\text{dB}$  (MIX typ.)
- Low noise figure:  $NF = 1.5$  to  $1.6\text{dB}$  (LNA typ.)  
 $NF = 4.5\text{dB}$  (MIX typ.)
- Low LO input power operation
- 24-pin VQFN small package

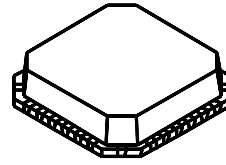
### Applications

800MHz/1.5GHz Japan digital cellular phones (PDC)

### Structure

GaAs J-FET MMIC

24 pin VQFN (Plastic)



### Absolute Maximum Ratings (Ta = 25°C)

• Supply voltage	V <sub>DD</sub>	4.5	V
• Input power	P <sub>IN</sub>	+13	dBm
• Current consumption	I <sub>DD</sub>	15	mA
• Operating temperature	T <sub>opr</sub>	-35 to +85	°C
• Storage temperature	T <sub>stg</sub>	-65 to +150	°C

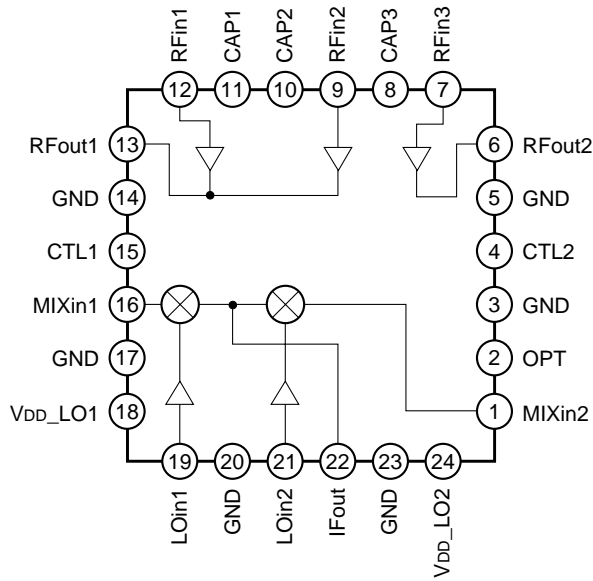
### Recommended Operating Conditions

• Supply voltage	V <sub>DD</sub>	2.7 to 3.3	V
• Control voltage	V <sub>CTL</sub> (H)	2.4 to 3.3	V
	V <sub>CTL</sub> (L)	0 to 0.3	V

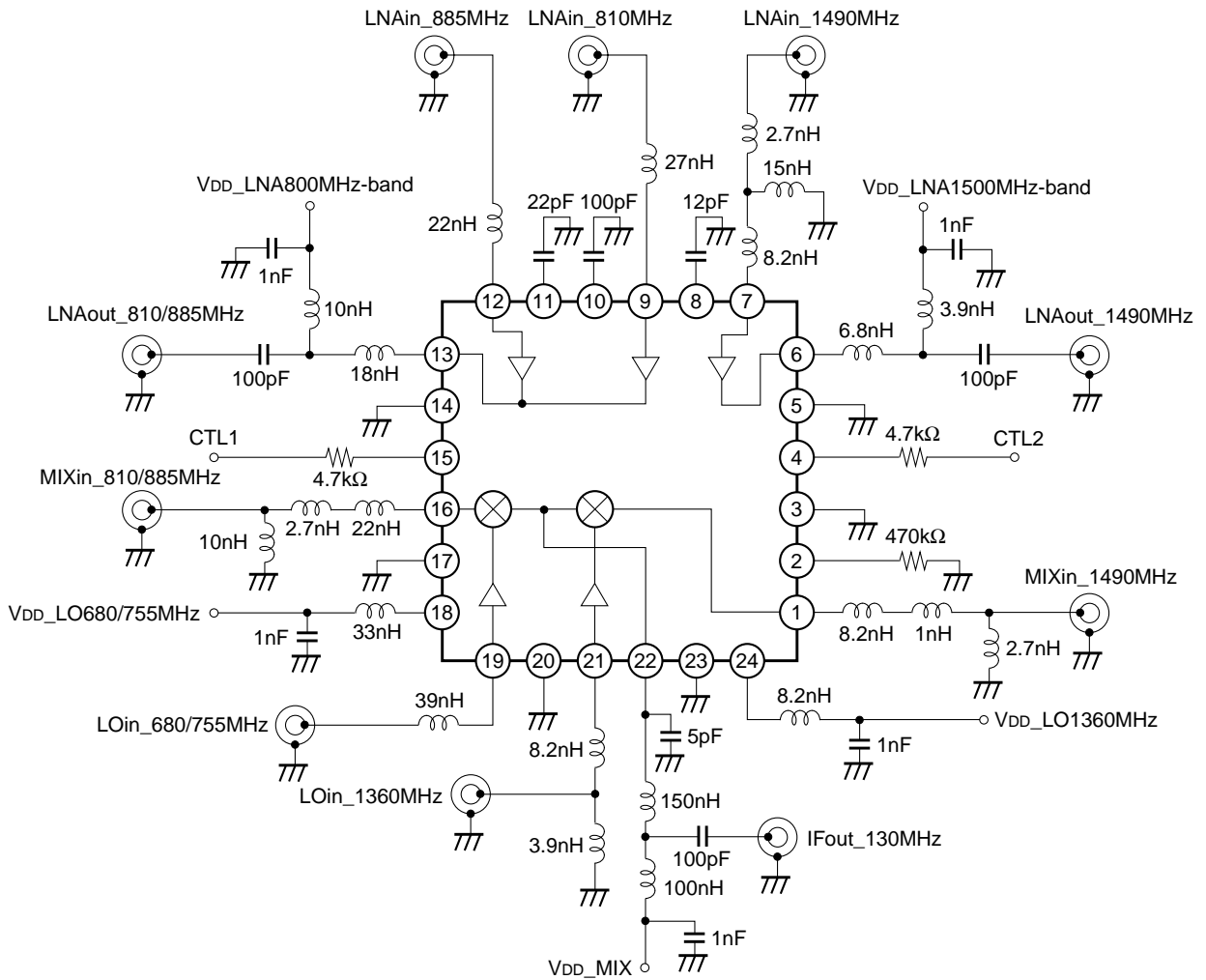
GaAs MMICs are ESD sensitive devices. Special handling precautions are required.

Sony reserves the right to change products and specifications without prior notice. This information does not convey any license by any implication or otherwise under any patents or other right. Application circuits shown, if any, are typical examples illustrating the operation of the devices. Sony cannot assume responsibility for any problems arising out of the use of these circuits.

Block Diagram and Pin Configuration



Recommended Evaluation Circuit



**Electrical Characteristics**

The normalized values are those when the Sony's recommended evaluation board is used.

**800MHz Band Low Noise Amplifier**

Conditions: Unless otherwise specified,  $V_{DD} = 3.0V$ ,  $V_{CTL} (H) = 3.0V$ ,  $V_{CTL} (L) = 0V$ ,  $f_{RF1} = 885MHz$ ,  $f_{RF2} = 810MHz$   
( $T_a = 25^\circ C$ )

Item	Symbol	Path	Frequency	$V_{CTL1}$	$V_{CTL2}$	Min.	Typ.	Max.	Unit	Measurement condition
Current consumption	I <sub>DD</sub>	—	—	H	L	—	2.0	2.65	mA	When no signal
			—	L	L	—	2.0	2.65		
Control current	I <sub>CTL1</sub>	—	—	H	L	—	60	90	μA	
			—	L	L	-5	0	5		
Power gain	G <sub>p</sub>	RF <sub>IN1</sub> → RF <sub>OUT1</sub>	f <sub>RF1</sub>	H	L	14.5	16.5	18.5	dB	When a small signal
				L	L	—	-20	-15		
		RF <sub>IN2</sub> → RF <sub>OUT1</sub>	f <sub>RF2</sub>	H	L	—	-25	-20		
				L	L	14.5	16.5	18.5		
Noise figure	NF	RF <sub>IN1</sub> → RF <sub>OUT1</sub>	f <sub>RF1</sub>	H	L	—	1.3	2.0	dB	
		RF <sub>IN2</sub> → RF <sub>OUT1</sub>	f <sub>RF2</sub>	L	L	—	1.5	2.0		
Input IP3	IIP3	RF <sub>IN1</sub> → RF <sub>OUT1</sub>	f <sub>RF1</sub>	H	L	-10	-6.5	—	dBm	*1
		RF <sub>IN2</sub> → RF <sub>OUT1</sub>	f <sub>RF2</sub>	L	L	-11	-8	—		
Isolation	Iso	RF <sub>OUT1</sub> → RF <sub>IN1</sub>	f <sub>RF1</sub>	H	L	22	26	—	dB	When a small signal
		RF <sub>OUT1</sub> → RF <sub>IN2</sub>	f <sub>RF2</sub>	L	L	18	22	—		

\*1 Conversion from the IM3 suppression ratio for two-wave input:  $f_{RFOffset} = 100kHz$ ,  $P_{RF} = -30dBm$ .

**1.5GHz Band Low Noise Amplifier**

Conditions: Unless otherwise specified,  $V_{DD} = 3.0V$ ,  $V_{CTL} (H) = 3.0V$ ,  $V_{CTL} (L) = 0V$ ,  $f_{RF3} = 1490MHz$   
( $T_a = 25^\circ C$ )

Item	Symbol	Path	Frequency	$V_{CTL1}$	$V_{CTL2}$	Min.	Typ.	Max.	Unit	Measurement condition
Current consumption	I <sub>DD</sub>	—	—	—	H	—	2.9	3.7	mA	When no signal
Control current	I <sub>CTL2</sub>	—	—	—	H	—	90	120	μA	
Power gain	G <sub>p</sub>	RF <sub>IN3</sub> → RF <sub>OUT2</sub>	f <sub>RF3</sub>	—	H	14	16	18	dB	When a small signal
Noise figure	NF	RF <sub>IN3</sub> → RF <sub>OUT2</sub>	f <sub>RF3</sub>	—	H	—	1.6	2.1	dB	
Input IP3	IIP3	RF <sub>IN3</sub> → RF <sub>OUT2</sub>	f <sub>RF3</sub>	—	H	-9	-6	—	dBm	*1
Isolation	Iso	RF <sub>OUT2</sub> → RF <sub>IN3</sub>	f <sub>RF3</sub>	—	H	20	23	—	dB	When a small signal

\*1 Conversion from the IM3 suppression ratio for two-wave input:  $f_{RFOffset} = 100kHz$ ,  $P_{RF} = -30dBm$ .

**800MHz Band Mixer**

Conditions: Unless otherwise specified,  $V_{DD} = 3.0V$ ,  $V_{CTL} (H) = 3.0V$ ,  $V_{CTL} (L) = 0V$ ,

$f_{RF1} = 885MHz$ ,  $f_{RF2} = 810MHz$ ,  $f_{LO} = f_{RF} - 130MHz$ ,  $P_{LO} = -15dBm$

( $T_a = 25^\circ C$ )

Item	Symbol	RF frequency	V <sub>CTL1</sub>	V <sub>CTL2</sub>	Min.	Typ.	Max.	Unit	Measurement condition
Current consumption	I <sub>DD</sub>	—	—	L	—	5	6.5	mA	When no signal
Control current	I <sub>CTL2</sub>	—	—	L	-5	0	5	μA	
Conversion gain	G <sub>c</sub>	f <sub>RF1</sub>	—	L	9	10	11.5	dB	When a small signal
		f <sub>RF2</sub>	—	L	8.5	9.5	11		
Noise figure	NF	f <sub>RF1</sub>	—	L	—	5	6.5	dB	
		f <sub>RF2</sub>	—	L	—	4	5.5		
Input IP3	IIP3	f <sub>RF1</sub>	—	L	-1	+2	—	dBm	*1
		f <sub>RF2</sub>	—	L	-0.5	+2.5	—		
LO → RF leak	PI <sub>k</sub>	f <sub>RF1</sub>	—	L	—	-21	-18	dBm	f <sub>LO</sub> = 755MHz
		f <sub>RF2</sub>	—	L	—	-24	-21		f <sub>LO</sub> = 680MHz

\*1 Conversion from the IM3 suppression ratio for two-wave input:  $f_{RfOffset} = 100kHz$ ,  $P_{RF} = -25dBm$ .

**1.5GHz Band Mixer**

Conditions: Unless otherwise specified,  $V_{DD} = 3.0V$ ,  $V_{CTL} (H) = 3.0V$ ,  $V_{CTL} (L) = 0V$ ,

$f_{RF3} = 1490MHz$ ,  $f_{LO} = 1360MHz$ ,  $P_{LO} = -15dBm$

( $T_a = 25^\circ C$ )

Item	Symbol	RF frequency	V <sub>CTL1</sub>	V <sub>CTL2</sub>	Min.	Typ.	Max.	Unit	Measurement condition
Current consumption	I <sub>DD</sub>	—	—	H	—	5.5	7.5	mA	When no signal
Control current	I <sub>CTL2</sub>	—	—	H	—	90	120	μA	
Conversion gain	G <sub>c</sub>	f <sub>RF3</sub>	—	H	9	10	11.5	dB	When a small signal
Noise figure	NF	f <sub>RF3</sub>	—	H	—	4.5	6	dB	
Input IP3	IIP3	f <sub>RF3</sub>	—	H	-1	+2	—	dBm	*1
LO → RF leak	PI <sub>k</sub>	f <sub>RF3</sub>	—	H	—	-24	-21	dBm	f <sub>LO</sub> = 1360MHz

\*1 Conversion from the IM3 suppression ratio for two-wave input:  $f_{RfOffset} = 100kHz$ ,  $P_{RF} = -25dBm$ .

**Operation Logic**

V <sub>CTL1</sub>	V <sub>CTL2</sub>	LNA1 (800MHz_U)	LNA2 (800MHz_L)	LNA3 (1.5GHz)	MIX1 (800MHz)	MIX2 (1.5GHz)
H	L	ON	OFF	OFF	ON	OFF
L	L	OFF	ON	OFF	ON	OFF
—	H	OFF	OFF	ON	OFF	ON

Example of Representative Characteristics

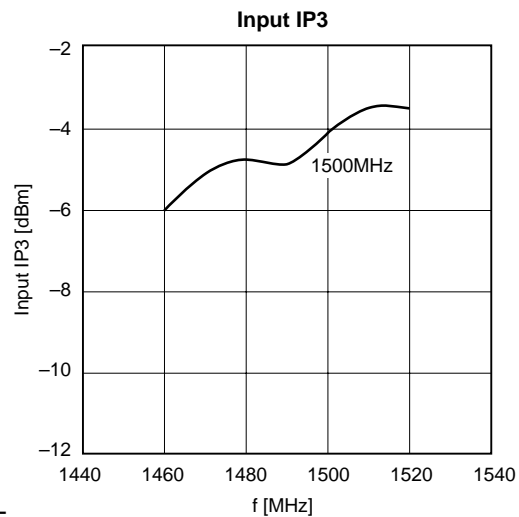
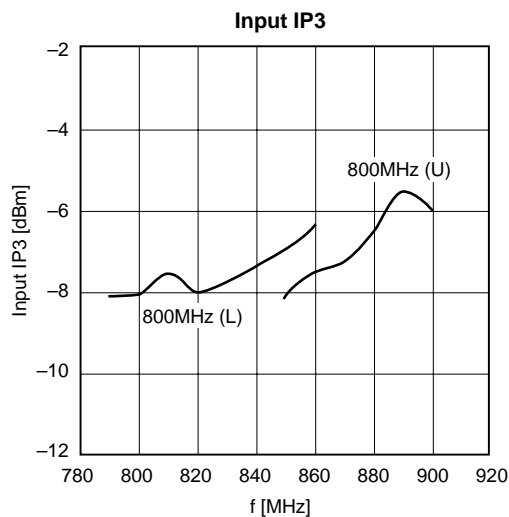
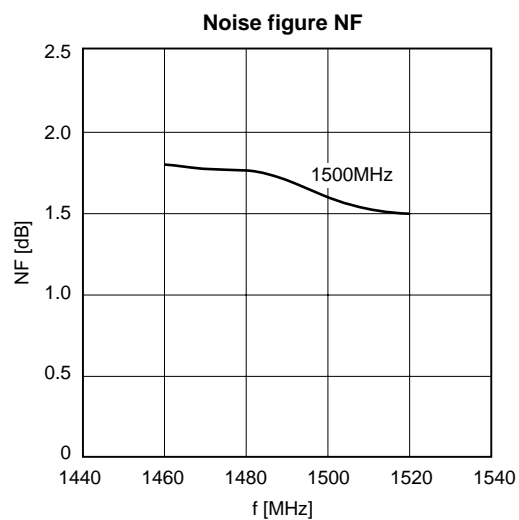
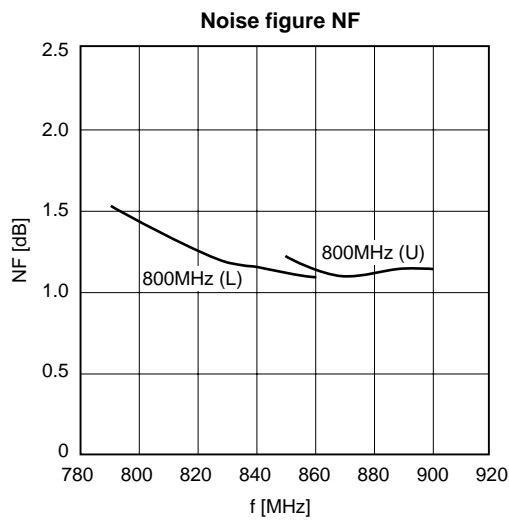
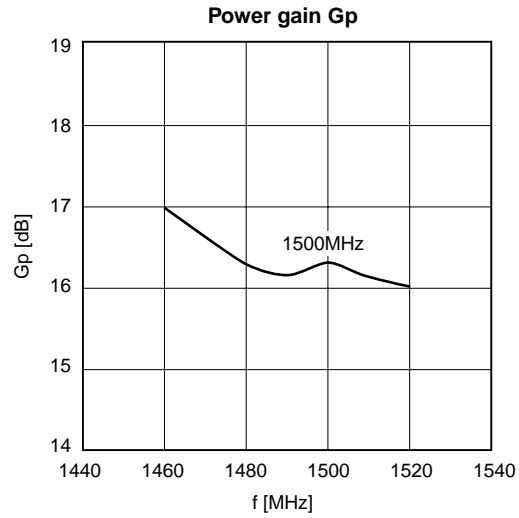
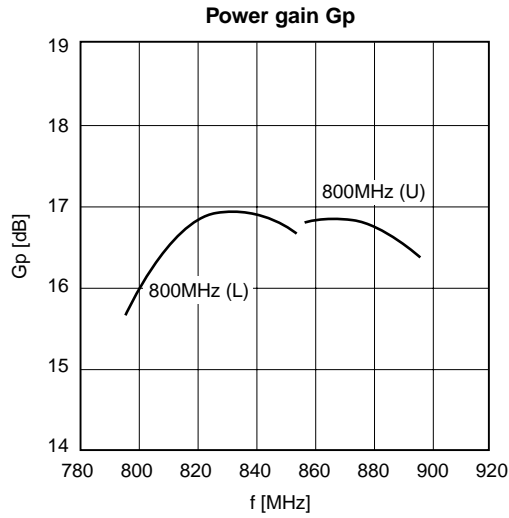
1. CXG1130AER frequency characteristics of main items in LNA block (25°C)

[Condition]  $V_{DD} = 3V$ , 800MHz\_L (Pin 9 input → Pin 13 output):  $V_{CTL1} = 0V$ ,  $V_{CTL2} = 0V$ ,

800MHz\_U (Pin 12 input → Pin 13 output):  $V_{CTL1} = 3V$ ,  $V_{CTL2} = 0V$ ,

1500MHz (Pin 7 input → Pin 6 output):  $V_{CTL2} = 3V$

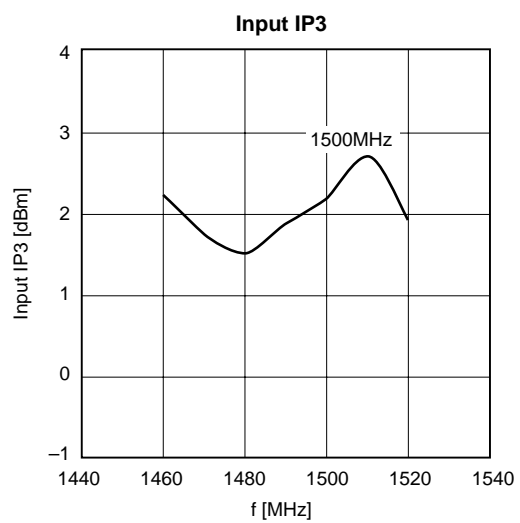
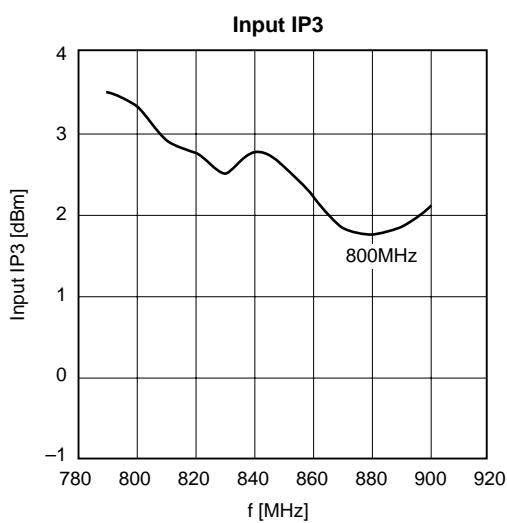
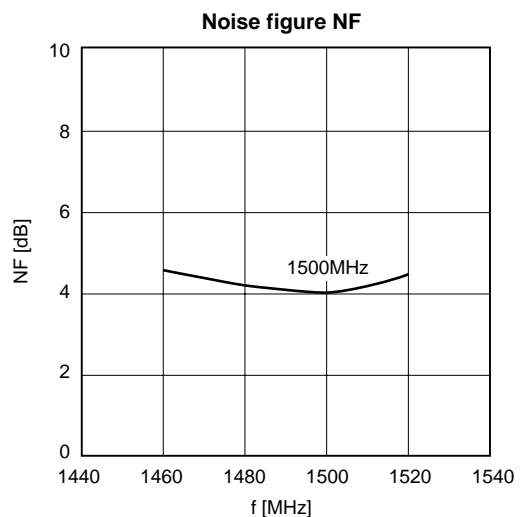
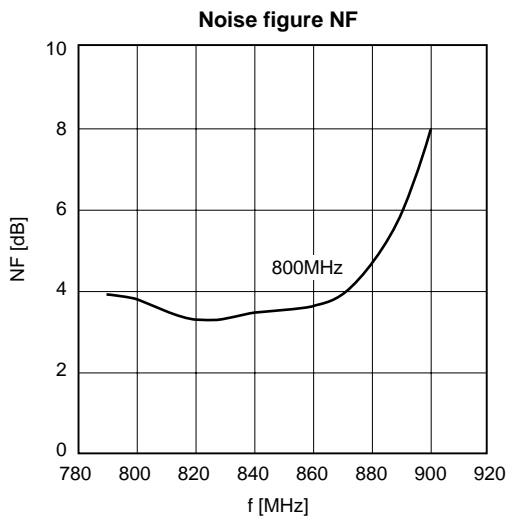
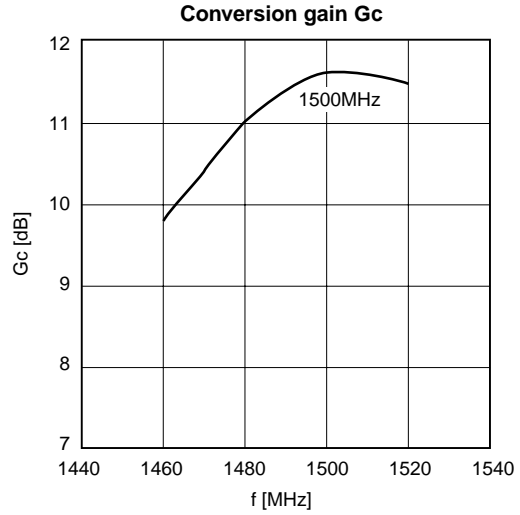
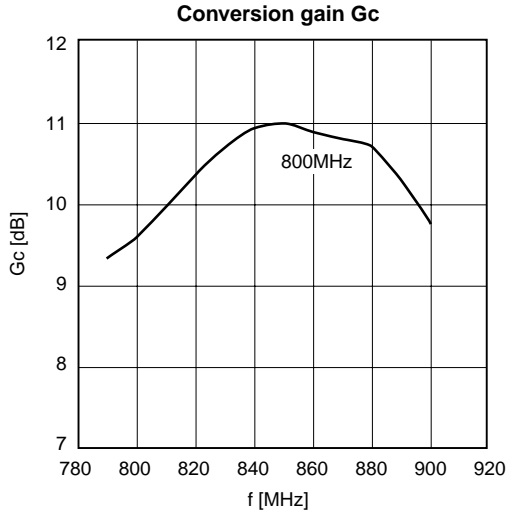
$G_p$  and  $NF$  are those when a small signal is input. The input  $IP3$  is converted from the IM3 suppression ratio for two-wave input:  $f_{roffset} = 100kHz$ ,  $P_{RF} = -30dBm$ .



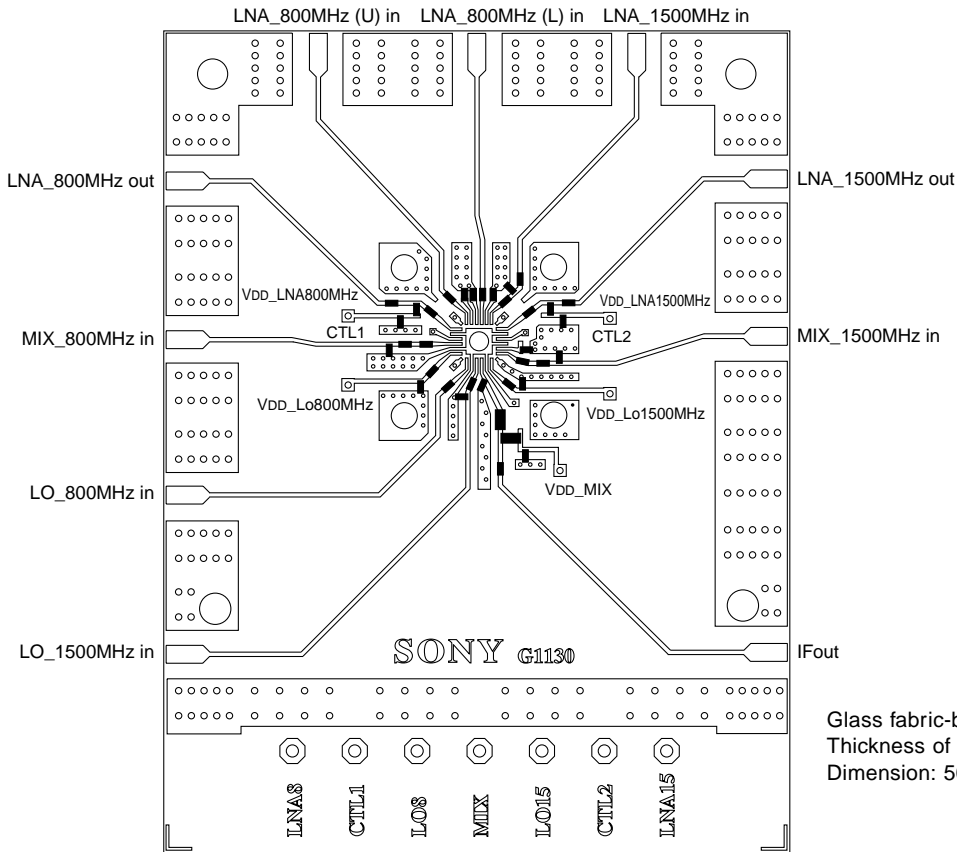
**2. CXG1130AER frequency characteristics of main items in MIX block (25°C)**

[Condition]  $V_{DD} = 3V$ ,  $f_{LO} = f_{RF} - 130MHz$ ,  $P_{LO} = -15dBm$ , 800MHz:  $V_{CTL2} = 0V$ , 1500MHz:  $V_{CTL2} = 3V$

$G_c$  and  $NF$  are those when a small signal is input. The input  $IP_3$  is converted from the  $IM_3$  suppression ratio for two-wave input:  $f_{RFoffset} = 100kHz$ ,  $P_{RF} = -25dBm$ .

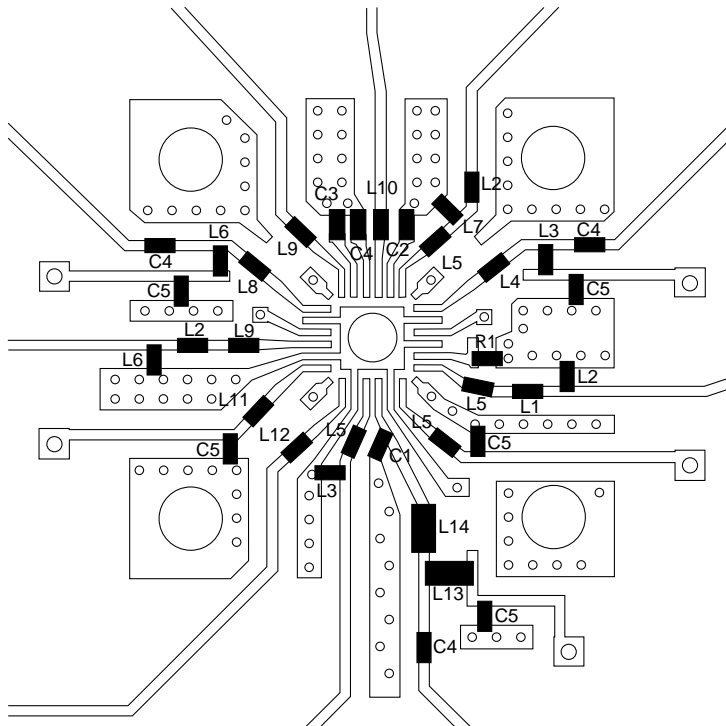


Recommended Evaluation Board



Glass fabric-base 4-layer epoxy board  
 Thickness of film between layers 1 and 2: 0.2mm  
 Dimension: 50mm x 66mm

Enlarged Diagram of External Circuit Block



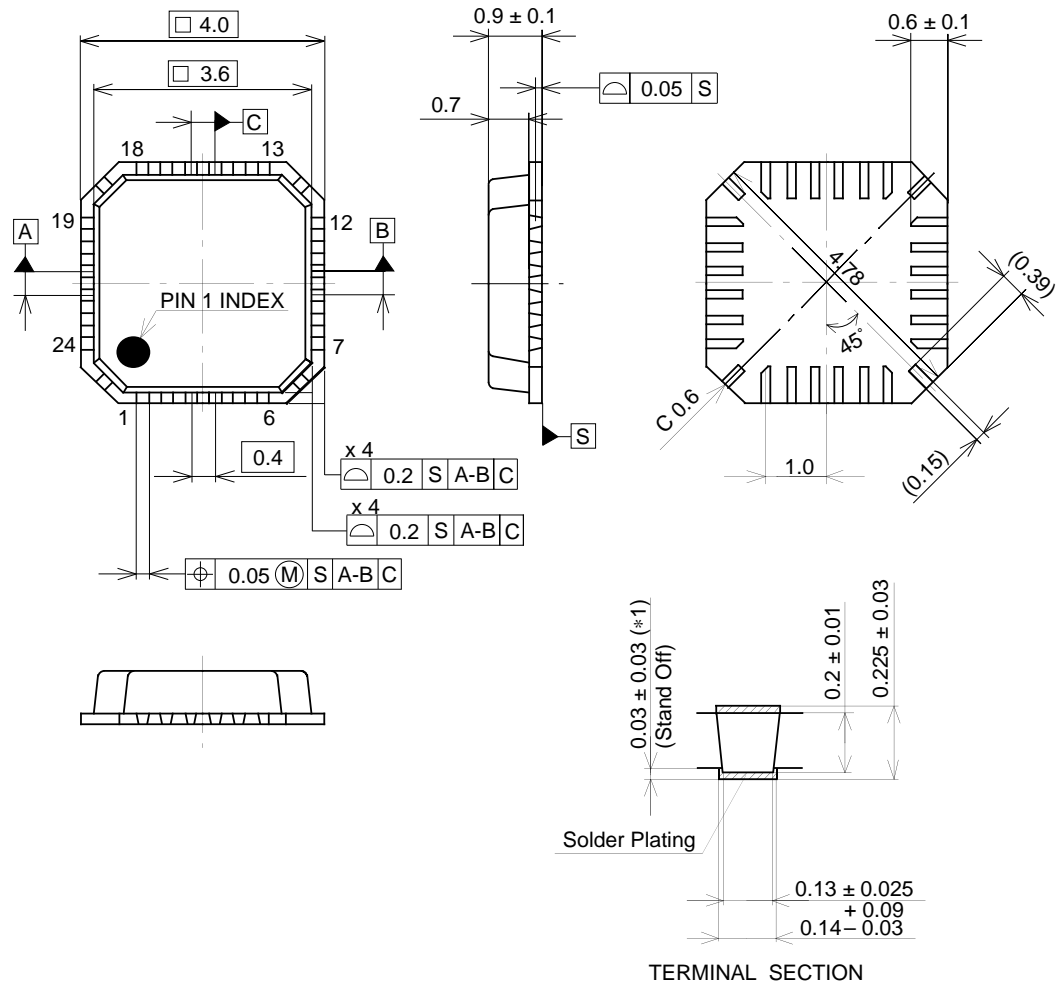
- L1 = 1nH
- L2 = 2.7nH
- L3 = 3.9nH
- L4 = 6.8nH
- L5 = 8.2nH
- L6 = 10nH
- L7 = 15nH
- L8 = 18nH
- L9 = 22nH
- L10 = 27nH
- L11 = 33nH
- L12 = 39nH
- L13 = 100nH
- L14 = 150nH
- C1 = 5pF
- C2 = 12pF
- C3 = 22pF
- C4 = 100pF
- C5 = 1nF
- R1 = 470Ω

Series resistors of 4.7kΩ to CTL1 and CTL2 are attached on the solder side of the board.

Package Outline

Unit: mm

24PIN VQFN(PLASTIC)



PACKAGE STRUCTURE

PACKAGE MATERIAL	EPOXY RESIN
LEAD TREATMENT	SOLDER PLATING
LEAD MATERIAL	COPPER ALLOY
PACKAGE MASS	0.04g

SONY CODE	VQFN-24P-03
EIAJ CODE	_____
JEDEC CODE	_____

LEAD SPECIFICATIONS

ITEM	SPEC.
LEAD MATERIAL	COPPER ALLOY
SOLDER PLATING	Sn-Bi Bi:1-4wt%
LEAD TREATMENT THICKNESS	5-18μm