

**LV1100****Digital Surround Audio Signal-Processing IC****Overview**

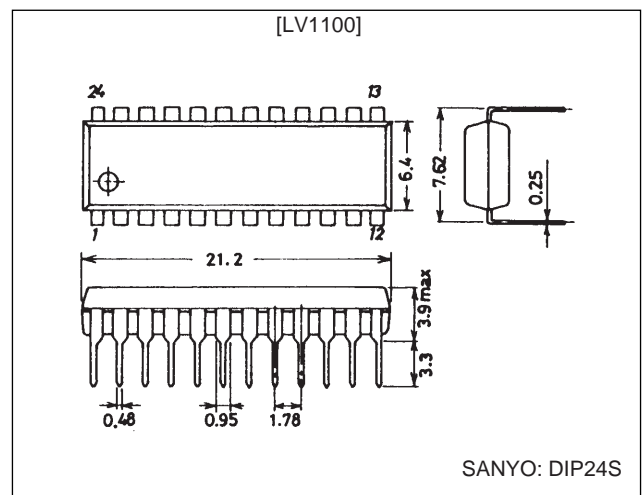
The LV1100 is an audio signal-processing Bi-CMOS LSI that integrates input and output filters, a delay line (built-in memory), and a delay/reverb function with a maximum delay of 120 ms on a single chip. It also provides built-in fixed matrix (L+R, L-R) and front mixing (with level and phase switching) functions. A full complement of surround modes can be easily implemented by combining these functions.

Functions and Features

- Input switching (L+R, L-R, IN-A)
- On-chip memory (12K SRAM)
- Front adder (+3 dB, 0 dB, -3 dB, -∞)
- Input and output filters
- Input filter -7 kHz low-pass filter
- Output filter -5 kHz low-pass filter: switchable with a 3 kHz low-pass filter
- On-chip V_{DD} circuit
- Input and output muting function
- A simulated surround system can be easily implemented with only one chip.
- ADM A/D and D/A converters
- Variable delay times
 - Short mode; Maximum delay: 60 ms. Delay time selectable from six delay times in 10-ms steps.
 - Long mode; Maximum delay: 120 ms. Delay time selectable from six delay times in 20-ms steps.

Package Dimensions

unit: mm

3067-DIP24S**Specifications****Absolute Maximum Ratings at $T_a = 25^\circ\text{C}$**

Parameter	Symbol	Conditions	Ratings	Unit
Maximum supply voltage	$V_{CC \text{ max}}$		12	V
Allowable power dissipation	$P_d \text{ max}$	$T_a \leq 70^\circ\text{C}$	420	mW
Operating temperature	T_{opr}		-25 to +70	$^\circ\text{C}$
Storage temperature	T_{stg}		-40 to +125	$^\circ\text{C}$

Allowable Operating Ranges at $T_a = 25^\circ\text{C}$

Parameter	Symbol	Conditions	Ratings	Unit
Recommended supply voltage	V_{CC}		9	V
Operating supply voltage range	$V_{CC \text{ opg}}$		8 to 10	V

SANYO Electric Co., Ltd. Semiconductor Business Headquarters

TOKYO OFFICE Tokyo Bldg., 1-10, 1 Chome, Ueno, Taito-ku, TOKYO, 110 JAPAN

LV1100

Electrical Characteristics at $T_a = 25^\circ\text{C}$, $V_{CC} = 9\text{ V}$, $R_L = 20\text{ k}\Omega$, $V_{IN} = 300\text{ mV}$ and $f = 1\text{ kHz}$ unless otherwise specified.

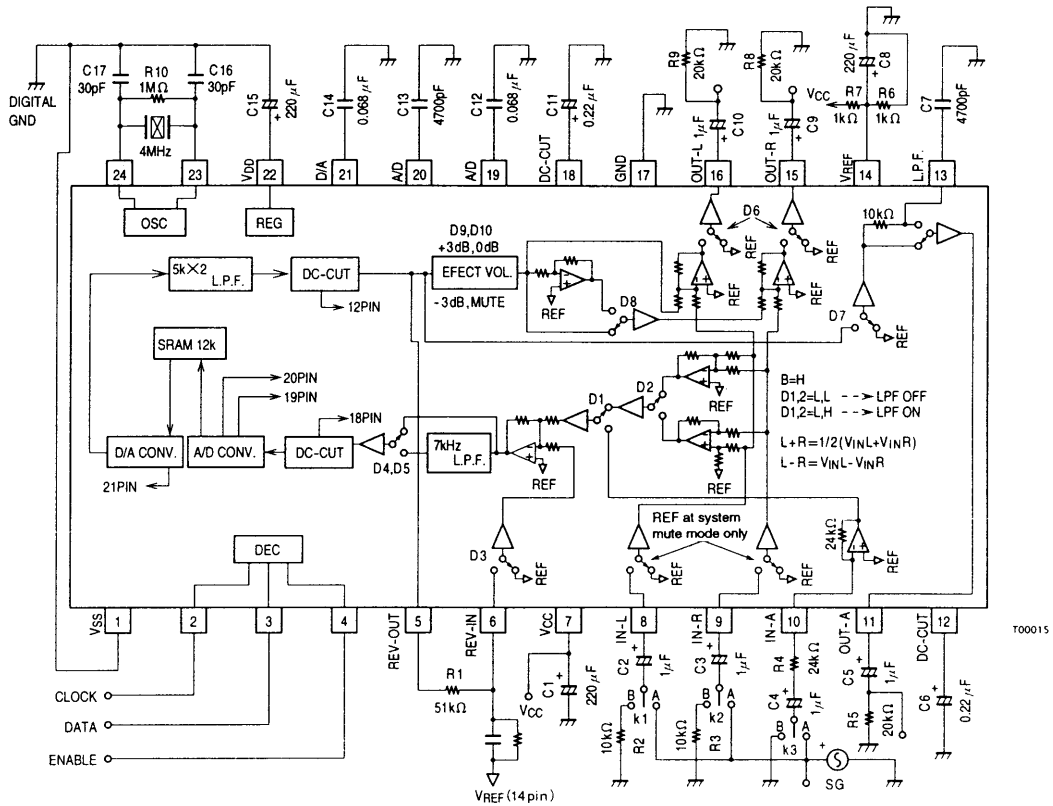
Parameter	Symbol	Conditions	Ratings			Unit
			min	typ	max	
Quiescent current	I_{CCO}		15	28	42	mA
Maximum output voltage	$V_{O\text{ maxA}}$	OUT-A, CLOCK FAST, THD = 10% $V_{CC} = 8\text{ V}$	0.7	1.0		V
	$V_{O\text{ maxL}}$	OUT-L, THD = 1% (effect off), $V_{CC} = 8\text{ V}$	1.6			V
	$V_{O\text{ maxR}}$	OUT-R, THD = 1% (effect off), $V_{CC} = 8\text{ V}$	1.6			V
Output noise voltage	V_{NOAF}	OUT-A, CLOCK FAST (5 kHz L.P.F) JIS A, $R_g = 10\text{ k}\Omega$		-89	-80	dBV
	V_{NOAS}	OUT-A, CLOCK SLOW (3 kHz L.P.F) JIS A, $R_g = 10\text{ k}\Omega$		-84	-75	dBV
	V_{NOL}	OUT-L (effect off), JIS A, $R_g = 10\text{ k}\Omega$		-103	-95	dBV
	V_{NOR}	OUT-R (effect off), JIS A, $R_g = 10\text{ k}\Omega$		-103	-95	dBV
	V_{NOLE}	OUT-L (effect -3 dB), JIS A, $R_g = 10\text{ k}\Omega$		-88	-80	dBV
	V_{NORE}	OUT-R (effect -3 dB), JIS A, $R_g = 10\text{ k}\Omega$		-88	-80	dBV
Output level deviation	VGA	OUT-A, CLOCK FAST	-4	0	4	dB
	VGL	OUT-L (effect off)	-2	0	2	dB
	VGR	OUT-R (effect off)	-2	0	2	dB
Total harmonic distortion	THDAF	OUT-A, CLOCK FAST (5 kHz L.P.F): 400 to 30 kHz BPF		0.3	1.0	%
	THDAS	OUT-A, CLOCK SLOW (3 kHz L.P.F): 400 to 30 kHz BPF		0.6	1.5	%
	THDL	OUT-L (effect off): 400 to 30 kHz B.P.F		0.01	0.03	%
	THDR	OUT-R (effect off): 400 to 30 kHz B.P.F		0.01	0.03	%

Control Data

Parameter	Symbol	Conditions	Ratings	Unit
Control data Input low-level voltage	V_{IL}		0 to 1.5	V
Control data Input high-level voltage	V_{IH}		3.5 to 5.5	V

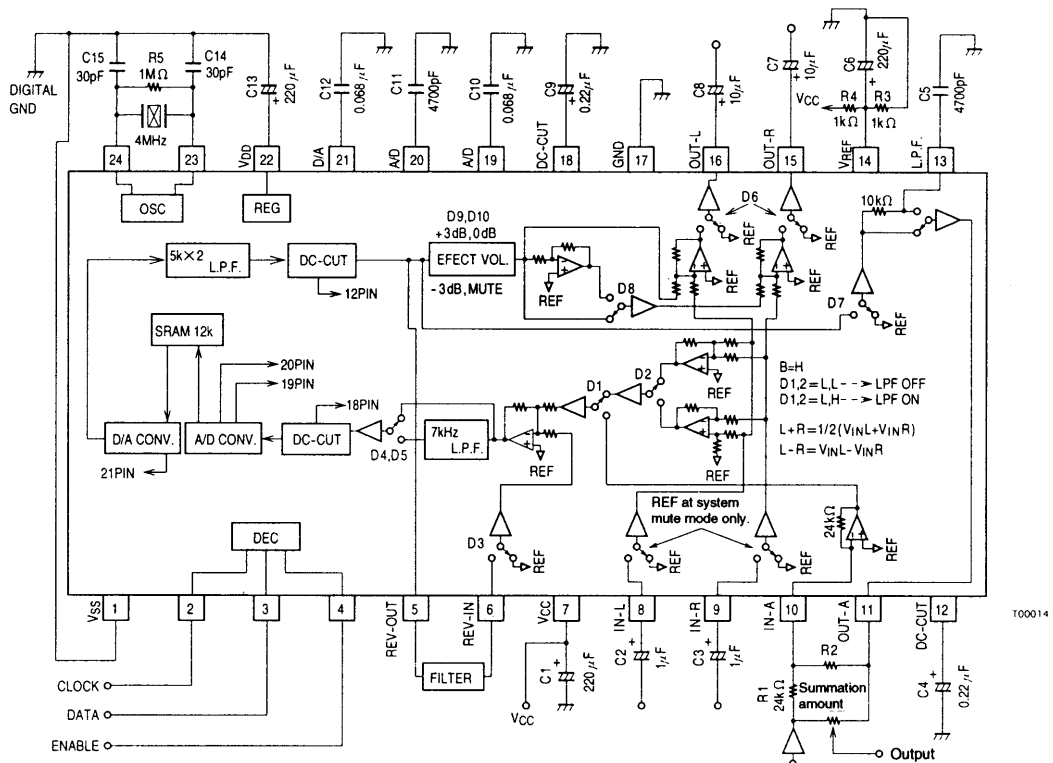
LV1100

Test Circuit



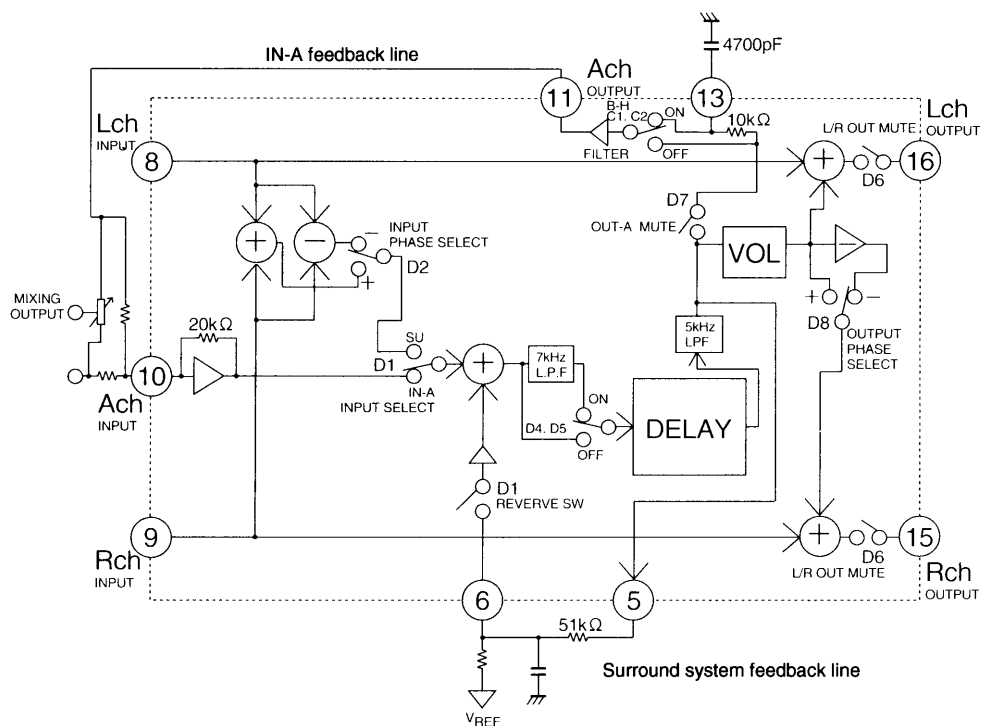
- Notes: 1. The items D1 through D10 in the figure indicate points that are switched by the serial data.
 2. Use capacitors with good high-frequency characteristics for the capacitors on pins 7, 14, and 22. Also, connect 0.1-μF ceramic capacitors in parallel.

Application Circuit Example



Note: The items D1 through D10 in the figure indicate points that are switched by the serial data.

Block Diagram



A05985

Functional Description

1.INPUT PHASE SELECT

Selects either the input summation signal (L+R) or the input difference signal (L-R). When set to low, L+R is selected, and when set to high, L-R is selected.

2.INPUT SELECT

Selects either the IN-L and IN-R input signals, or the IN-A input signal.

3.INPUT FILTER

Selects whether the signal input from either IN-L and IN-R or IN-A is passed through a 7-kHz low-pass filter, or whether it is directly input to the delay block.

4.DELAY

In clock fast mode, creates one of six delayed signals with delays of 10 to 60 ms in 10-ms steps.

In clock slow mode, creates one of six delayed signals with delays of 20 to 120 ms in 20-ms steps.

5.VOL (effect volume)

Selects the amount of the front L and R signals added to the delayed signal. Possible settings are +3 dB, 0 dB, -3 dB, and $-\infty$.

6.OUTPUT PHASE SELECT

Selects in-phase (+ setting) or out-of-phase (- setting) with respect to the left channel for the right channel of the VOL output signal.

7.REVERSE SW

Set this switch to the on position to specify that the surround system output signal be fed back.

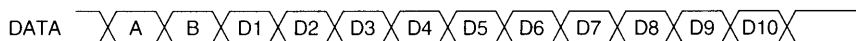
8.IN-A OUTPUT FILTER

Allows the signal to be output after passing through a 3-kHz low-pass filter.

LV1100

Command List

LV1100 Control Format



A05986

A = L ... Selects the LV1100.

B = L ... When B is low, the mode settings listed below can be made.

	L	H
D1	IN-A DELAY	L+R, L-R DELAY
D2	L+R	L-R
D3	DELAY OUT ON; Turns on surround system feedback	DELAY OUT OFF; Turns off surround system feedback
7 kHz L.P.F ON/OFF		
D4, D5		
LL	THROUGH	
LH	NOT USE	
HL	FILTER	
HH	A/D INPUT MUTE	
	L	H
D6	OUT-L, -R MUTE ON	OUT-L, -R MUTE OFF
D7	OUT-A MUTE ON	OUT-A MUTE OFF
D8	FRONT ADD INPHASE (In-phase addition)	FRONT ADD INVERTED PHASE (Out-of-phase addition)
FRONT ADD EFFECT VOL (Addition to the front left and right channels)		
D9, D10		
LL	+3 dB	
LH	0 dB	
HL	-3 dB	
HH	MUTE	

B = H ... When B is high, the mode settings listed below can be made.

D1	D2	IN-A output filter
L	L	3 kHz L.P.F-OFF
L	H	3 kHz L.P.F-ON

D3	D4	D5
*	*	*

* = don't care

LV1100

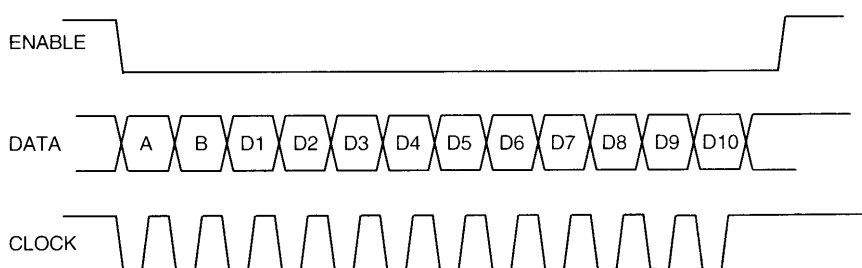
Delay Time Data (D6 to D8)

D6	D7	D8	CLK FAST	CLK SLOW
L	L	L	10 ms	20 ms
L	L	H	20 ms	40 ms
L	H	L	30 ms	60 ms
L	H	H	40 ms	80 ms
H	L	L	50 ms	100 ms
H	L	H	60 ms	120 ms

Note: D6, D7, and D8 must not be used for any purposes other than the above commands.

	L	H
D9	SYSTEM MUTE ON	SYSTEM MUTE OFF
D10	CLK FAST	CLK SLOW

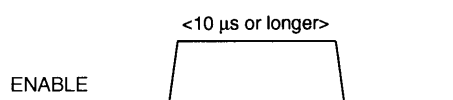
Control Data Format



A05987

- Data is read in on the rising edge of the clock.
- The control data consists of 12 bits.
- The input data is latched on the rising edge of the enable signal.
- The clock and enable signals must be held high when not being used to control the LV1100.
- Command interval time

The timing of intervals between enable signals must meet the conditions shown in the figure.



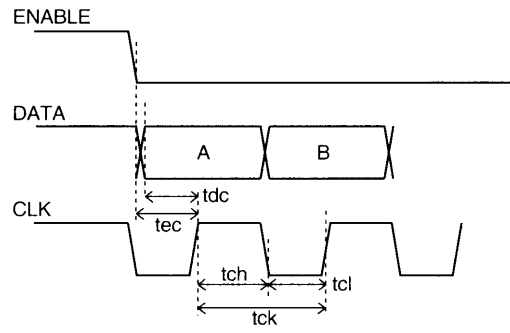
A05988

Notes on Mode Control (System Mute Usage)

- 1 When power is first applied, after the IC is fully operating (about 2 seconds after power is applied) applications must send commands that turn the system muting off and then on again.
- 2 Applications must perform system muting on/off operations when switching the delay time or clock fast/slow settings. After sending a system muting on command along with the new data, send the new data again, this time with a system muting off command.

Note: By performing the operations described in items 1 and 2 here, the memory contents are initialized, thus preventing incorrect operation.

Data Timing




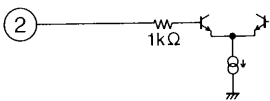
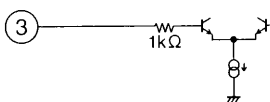
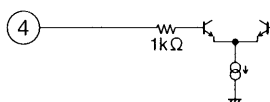
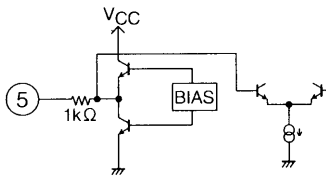
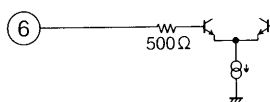
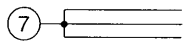
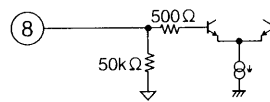
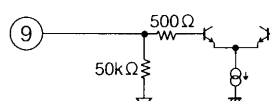
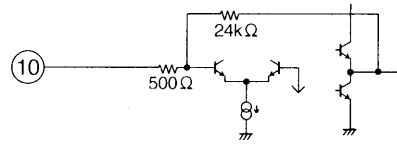
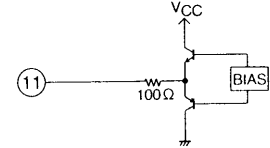
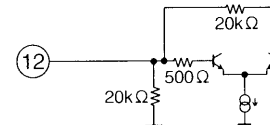
A05989

Timing Characteristics

Parameter	Symbol	Conditions	Ratings			Unit
			min	typ	max	
Enable clock delay time	tec		5			μs
Data clock delay time	tdc		5			μs
Clock high-level hold time	tch		5			μs
Clock low-level hold time	tcl		5			μs
Clock cycle time	tck		10			μs

LV1100

Pin Functions

Pin no.	Pin	Pin voltage	Internal equivalent circuit
1	DIGITAL-GND	0 V	 <p style="text-align: right;">A05990</p>
2	CLK	Control voltage Apply a voltage of 0 or 5 V.	 <p style="text-align: right;">A05991</p>
3	DATA	Control voltage Apply a voltage of 0 or 5 V.	 <p style="text-align: right;">A05992</p>
4	ENABLE	Control voltage Apply a voltage of 0 or 5 V.	 <p style="text-align: right;">A05993</p>
5	REV-OUT	$1/2 V_{CC}$	 <p style="text-align: right;">A05994</p>
6	REV-IN	$1/2 V_{CC}$ Apply the voltage output by pin 5 through an external resistor.	 <p style="text-align: right;">A05995</p>
7	V_{CC}	V_{CC} (Power-supply voltage)	 <p style="text-align: right;">A05996</p>
8	IN-L	$1/2 V_{CC}$	 <p style="text-align: right;">A05997</p>
9	IN-R	$1/2 V_{CC}$	 <p style="text-align: right;">A05998</p>
10	IN-AUX	$1/2 V_{CC}$	 <p style="text-align: right;">A05999</p>
11	OUT-AUX	$1/2 V_{CC}$	 <p style="text-align: right;">A06000</p>
12	DC-CUT	$1/2 V_{CC}$	 <p style="text-align: right;">A06001</p>

Continued on next page

LV1100

Continued from preceding page

Pin no.	Pin	Pin voltage	Internal equivalent circuit
13	L.P.F	$1/2 V_{CC}$	<p style="text-align: right;">A06002</p>
14	V_{REF}	$1/2 V_{CC}$	<p style="text-align: right;">A06003</p>
15	OUT-R	$1/2 V_{CC}$	<p style="text-align: right;">A06004</p>
16	OUT-L	$1/2 V_{CC}$	<p style="text-align: right;">A06005</p>
17	ANALOG-GND	0 V	<p style="text-align: right;">A06006</p>
18	DC-CUT	$1/2 V_{CC}$	<p style="text-align: right;">A06007</p>
19	A/D integrator	$1/2 V_{CC}$	<p style="text-align: right;">A06008</p>
20	A/D noise shaper	$1/2 V_{CC}$	<p style="text-align: right;">A06009</p>
21	D/A integrator	$1/2 V_{CC}$	<p style="text-align: right;">A06009</p>
22	V_{DD}	5 V	<p style="text-align: right;">A06011</p>
23 24	OSC	Charged by 0 or 5 V.	<p style="text-align: right;">A06012</p>

- No products described or contained herein are intended for use in surgical implants, life-support systems, aerospace equipment, nuclear power control systems, vehicles, disaster/crime-prevention equipment and the like, the failure of which may directly or indirectly cause injury, death or property loss.
- Anyone purchasing any products described or contained herein for an above-mentioned use shall:
 - ① Accept full responsibility and indemnify and defend SANYO ELECTRIC CO., LTD., its affiliates, subsidiaries and distributors and all their officers and employees, jointly and severally, against any and all claims and litigation and all damages, cost and expenses associated with such use:
 - ② Not impose any responsibility for any fault or negligence which may be cited in any such claim or litigation on SANYO ELECTRIC CO., LTD., its affiliates, subsidiaries and distributors or any of their officers and employees jointly or severally.
- Information (including circuit diagrams and circuit parameters) herein is for example only; it is not guaranteed for volume production. SANYO believes information herein is accurate and reliable, but no guarantees are made or implied regarding its use or any infringements of intellectual property rights or other rights of third parties.

This catalog provides information as of August, 1996. Specifications and information herein are subject to change without notice.