

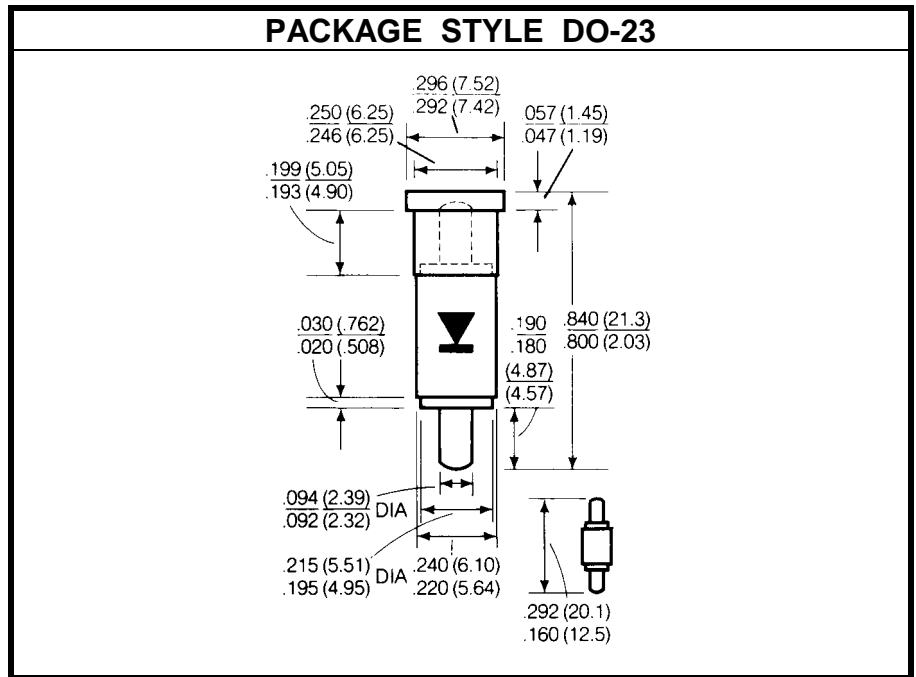
# SILICON DETECTOR DIODE

**DESCRIPTION:**

The **MA41202C** is a High Burnout Point Contact Mixer Diode.

**MAXIMUM RATINGS**

<b>I</b>	20 mA
<b>V</b>	1.0 V
<b>P<sub>DISS</sub></b>	10 ERGS @ T <sub>C</sub> = 25 °C
<b>T<sub>J</sub></b>	-55 °C to +150 °C
<b>T<sub>STG</sub></b>	-55 °C to +150 °C


**CHARACTERISTICS** T<sub>C</sub> = 25 °C

SYMBOL	TEST CONDITIONS	MINIMUM	TYPICAL	MAXIMUM	UNITS
<b>N<sub>F</sub></b>	OVERALL NOISE FIGURE			9.8	<b>dB</b>
<b>C<sub>L</sub></b>	CONVERSION LOSS			6.5	<b>dB</b>
<b>V<sub>SWR</sub></b>	VOLTAGE STANDING WAVE RATIO			1.5	---
<b>Z<sub>IF</sub></b>	I <sub>F</sub> IMPEDANCE	335		465	<b>Ω</b>
<b>f<sub>Range</sub></b>	N <sub>if</sub> = 1.5 dB    R <sub>L</sub> = 100 Ω    f = 9.375 GHz	8.2		12.4	<b>GHz</b>