

TOSHIBA BIPOLAR LINEAR INTEGRATED CIRCUIT SILICON MONOLITHIC

TA2026SN, TA2026F

UNBALANCED TO BALANCES SIGNAL CONVERTER

The TA2026SN, TA2026F are unbalanced to balanced signal converter IC for component type car audio equipments. Noise level of audio signal increases by ground noise and induction noise while transferred between head unit and other equipments.

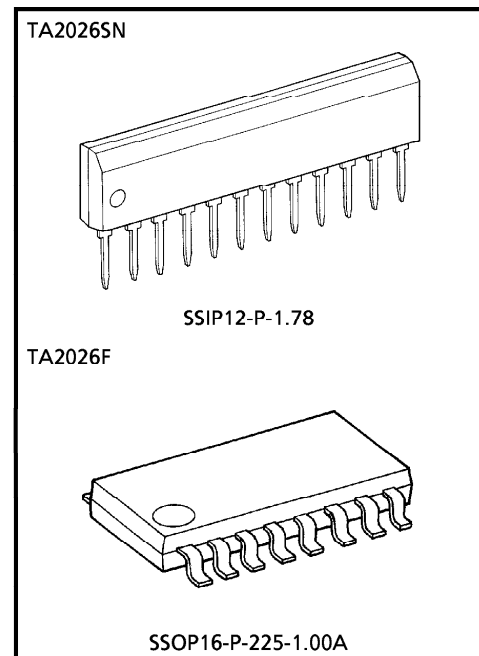
To reduce these effect, balanced signal transfer system is effective.

TA2026SN, TA2026F have built-in dual balanced signal output amplifier and audio muting circuit.

In application with ground isolator IC ; TA8181SN, TA8181F for line input stage, high performance balanced signal transfer system can be composed.

FEATURES

- Dual Channel
- Voltage Gain : $G_V = 6\text{dB}$ (Typ.)
- Maximum Output Voltage
 - : $V_{OM} = 3V_{rms}$ (Typ.)
 - ($V_{CC} = 8V$, $f = 1\text{kHz}$, $\text{THD} = 0.1\%$)
- Total Harmonic Distortion
 - : $\text{THD} = 0.004\%$ (Typ.)
 - ($V_{CC} = 8V$, $f = 1\text{kHz}$, $V_{out} = 1V_{rms}$)
- Output Noise Voltage
 - : $V_{NO} = 1.8\mu V_{rms}$ (Typ.)
 - ($V_{CC} = 8V$, $R_g = 620\Omega$, $\text{BW} = 20\text{Hz} \sim 20\text{kHz}$)
- Audio Muting Circuit
 - : $\text{ATT} = -90\text{dB}$ (Typ.)
- Small Package
 - : 1.778mm pitch Shrink Single In-line 12pin : TA2026SN
 - 1.0mm pitch mini flat 16pin : TA2026F
- Operating Supply Voltage Range
 - : $V_{CC}(\text{opr.}) = 5 \sim 12V$ ($T_a = 25^\circ\text{C}$)



Weight
 SSIP12-P-1.78 : 0.65g (Typ.)
 SSOP16-P-225-1.00A : 0.14g (Typ.)

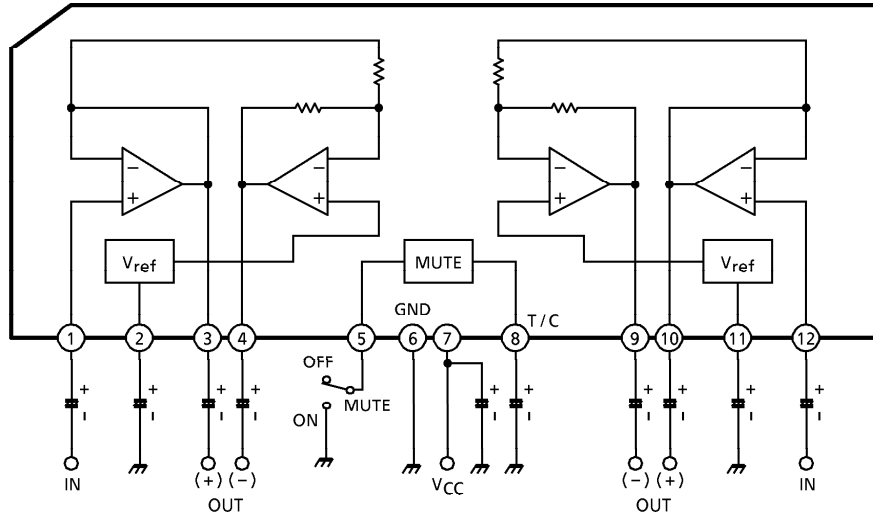
961001EBA1

● TOSHIBA is continually working to improve the quality and the reliability of its products. Nevertheless, semiconductor devices in general can malfunction or fail due to their inherent electrical sensitivity and vulnerability to physical stress. It is the responsibility of the buyer, when utilizing TOSHIBA products, to observe standards of safety, and to avoid situations in which a malfunction or failure of a TOSHIBA product could cause loss of human life, bodily injury or damage to property. In developing your designs, please ensure that TOSHIBA products are used within specified operating ranges as set forth in the most recent products specifications. Also, please keep in mind the precautions and conditions set forth in the TOSHIBA Semiconductor Reliability Handbook.

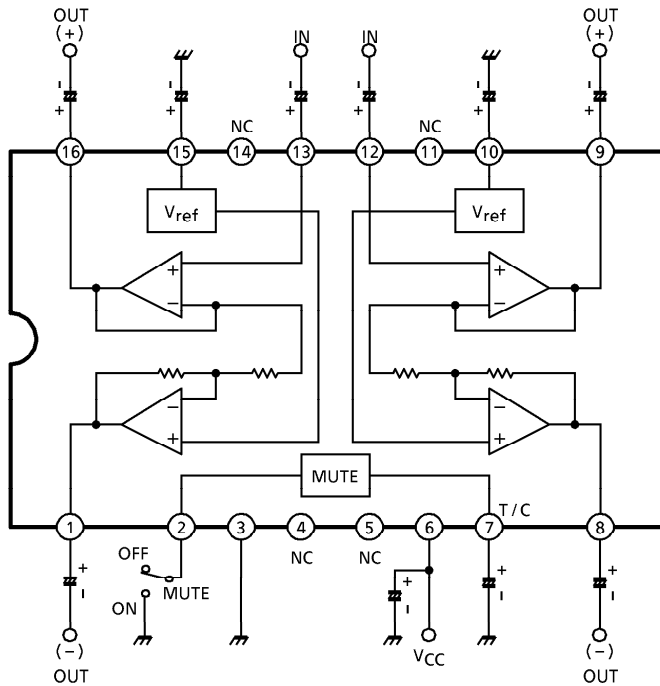
- The products described in this document are subject to foreign exchange and foreign trade control laws.
- The information contained herein is presented only as a guide for the applications of our products. No responsibility is assumed by TOSHIBA CORPORATION for any infringements of intellectual property or other rights of the third parties which may result from its use. No license is granted by implication or otherwise under any intellectual property or other rights of TOSHIBA CORPORATION or others.
- The information contained herein is subject to change without notice.

BLOCK DIAGRAM

TA2026SN



TA2026F



MAXIMUM RATINGS (Ta = 25°C)

CHARACTERISTIC	SYMBOL	RATING	UNIT
Supply Voltage	V _{CC}	15	V
Power Dissipation	TA2026SN	750	mW
	TA2026F	350	
Operating Temperature	T _{opr}	- 30~85	°C
Storage Temperature	T _{stg}	- 55~150	°C

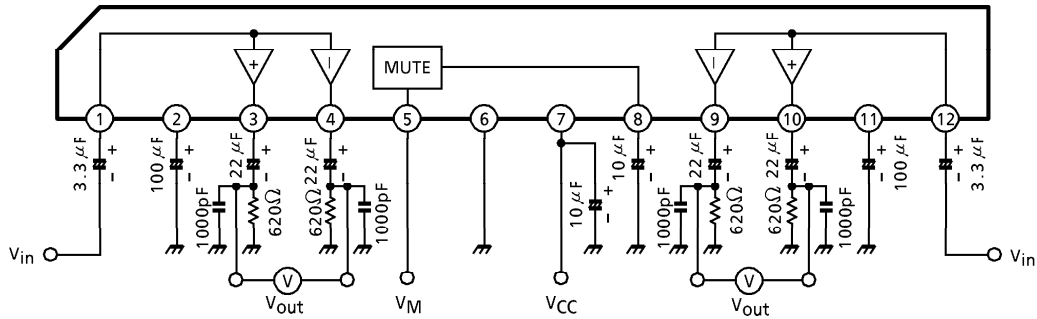
(Note) Derated above Ta = 25°C in the proportion of 6mW/°C for TA2026SN, 2.8mW/°C for TA2026F.

ELECTRICAL CHARACTERISTICS (Unless otherwise specified, V_{CC} = 8V, f = 1kHz, R_L = 620Ω, Ta = 25°C)

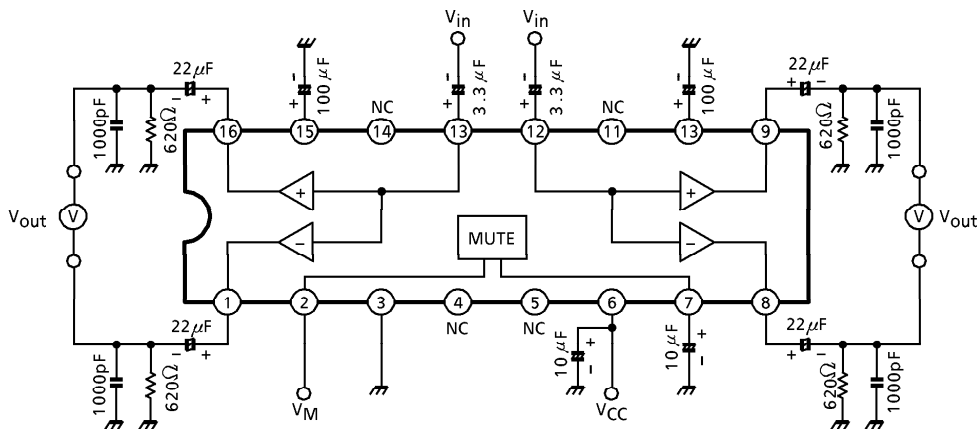
CHARACTERISTIC	SYMBOL	TEST CIRCUIT	TEST CONDITION	MIN.	TYP.	MAX.	UNIT
Quiescent Current	I _{CCQ}	—	V _{in} = 0	6	11	17	mA
Voltage Gain	G _V	—	Balanced output gain	4.0	5.7	8.0	dB
	G _V (+)	—	Non-inverting gain	- 1.5	- 0.5	+ 0.5	
	G _V (-)	—	Inverting gain	- 1.5	- 0.5	+ 0.5	
Gain Tracking	ΔG _V	—	G _V (+) - G _V (-)	- 1.0	0	+ 1.0	dB
Maximum Output Voltage	V _{om}	—	THD = 0.1%	2.5	3.1	—	V _{rms}
Total Harmonic Distortion	THD	—	V _{out} = 1V _{rms}	—	0.004	0.01	%
Output Noise Voltage	V _{no}	—	R _g = 620Ω, Filter BW = 20Hz~20kHz	—	1.8	3.0	μV _{rms}
Cross Talk	C.T.	—	V _{out} = 2V _{rms}	—	- 70	- 60	dB
Ripple Rejection Ratio	R.R.	—	V _{rip} = 1V _{rms} , f _{rip} = 100Hz, R _g = 620Ω	—	- 60	- 50	dB
Mute Attenuation	ATT	—	Ref : V _{out} = 2V _{rms}	—	- 90	- 80	dB
Mute ON Control Voltage	V _{M ON}	—	MUTE = ON	0	—	1.0	V
	V _{M OFF}	—	MUTE = OFF	3.0	—	V _{CC}	
Input Resistance	R _{IN}	—	—	—	100	—	kΩ

TEST CIRCUIT

TA2026SN

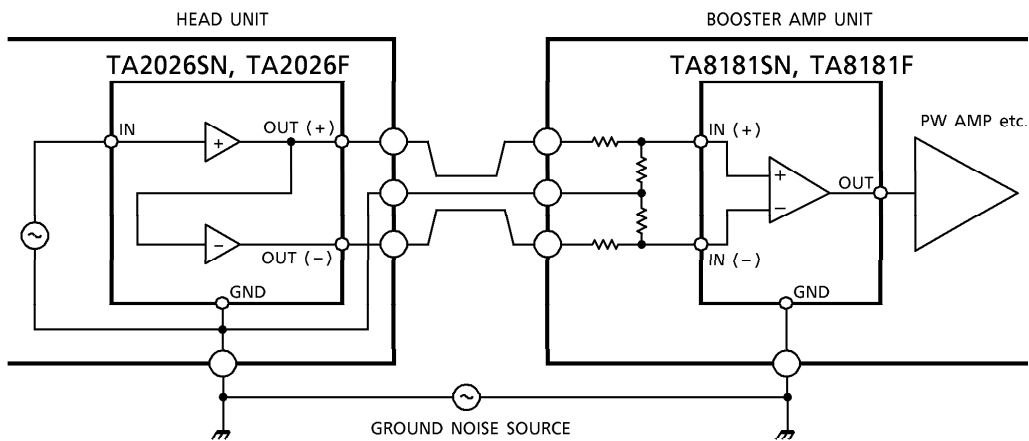


TA2026F



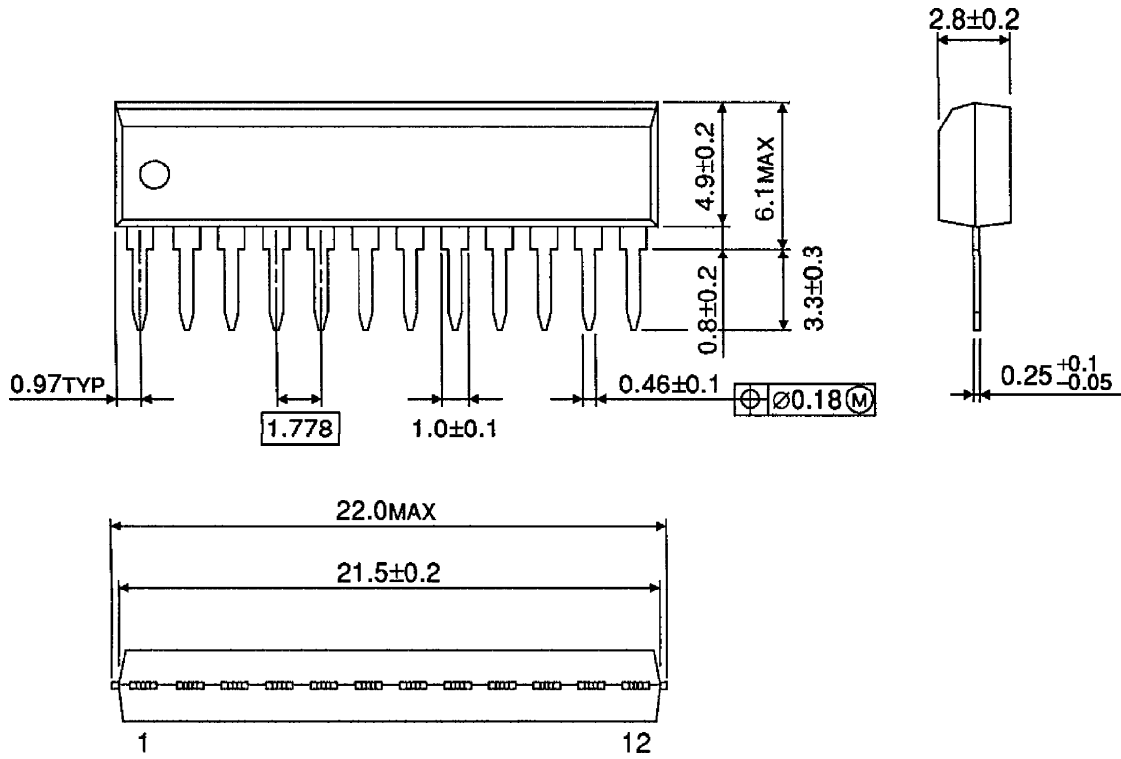
APPLICATION CIRCUIT

TA2026SN, TA2026F + TA8181SN, TA8181F BALANCED SIGNAL TRANSFER SYSTEM



OUTLINE DRAWING
SSIP12-P-1.78

Unit : mm

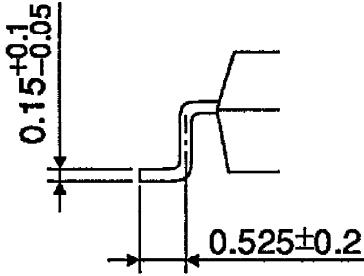
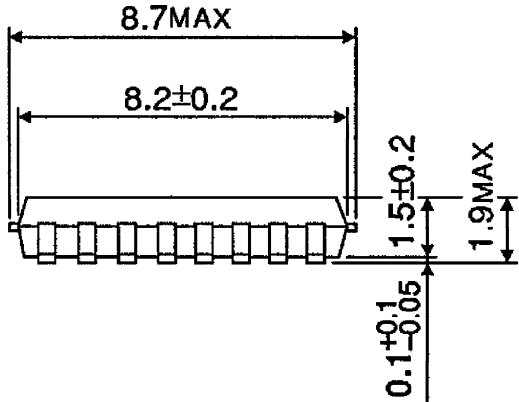
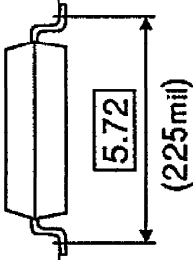
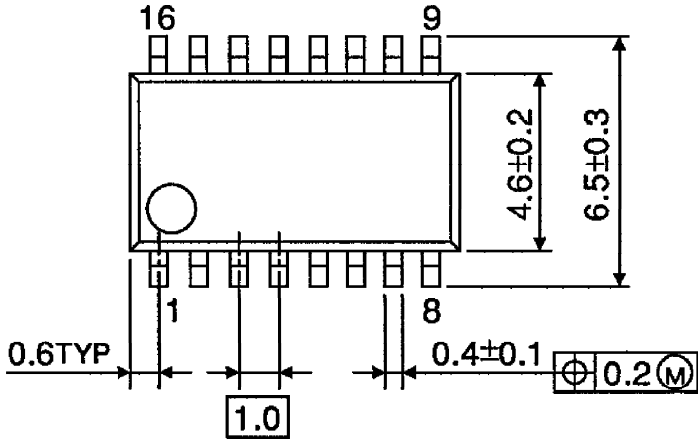


Weight : 0.65g (Typ.)

OUTLINE DRAWING

SSOP16-P-225-1.00A

Unit : mm



Weight : 0.14g (Typ.)