

TENTATIVE

TOSHIBA PHOTOCOUPLER GaAs IRED & PHOTO-IC

TLP250F

TRANSISTOR INVERTER

INVERTER FOR AIR CONDITIONOR

IGBT GATE DRIVE

POWER MOS FET GATE DRIVE

The Toshiba TLP250F consists of a GaAs light emitting diode and a integrated photodetector.

This unit is 8-lead DIP.

TLP250F is suitable for gate driving circuit of IGBT or power MOS FET.

- Input Threshold Current : $I_F = 5\text{mA}$ (Max.)
- Supply Current : 11mA (Max.)
- Supply Voltage : 10~35V
- Output Current : $\pm 1.5\text{A}$ (Max.)
- Switching Time : $t_{pHL}, t_{pLH} = 0.5\mu\text{s}$ (Max.)
- Isolation Voltage : 2500V_{rms} (Min.)
- UL Recognized : UL1577, File No.E67349
- Option (D4) type

VDE Approved : DIN VDE0884 / 06.92、認定No.76823
 Maximum Operating Insulation Voltage : 1140V_{PK}
 Highest Permissible Over Voltage : 6000V_{PK}

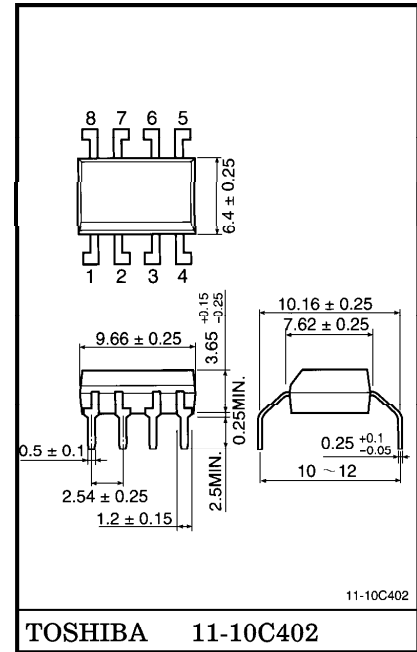
(Note 1) When a VDE0884 approved type is needed, please designate the "Option (D4)"

- Structural Parameter
 - Creepage Distance : 8.0mm (Min.)
 - Clearance : 8.0mm (Min.)

TRUTH TABLE

		Tr1	Tr2
		ON	OFF
Input LED	ON	ON	OFF
	OFF	OFF	ON

Unit in mm

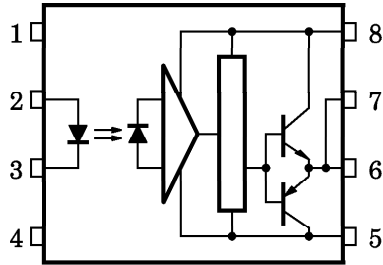


Weight : 0.54g

961001EBC2

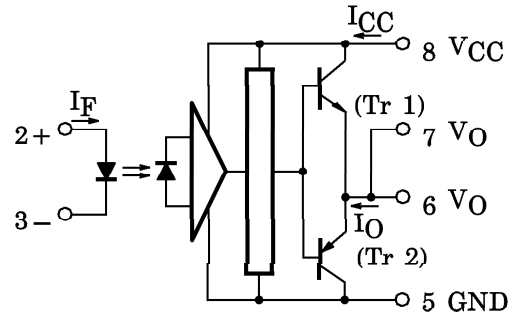
- TOSHIBA is continually working to improve the quality and the reliability of its products. Nevertheless, semiconductor devices in general can malfunction or fail due to their inherent electrical sensitivity and vulnerability to physical stress. It is the responsibility of the buyer, when utilizing TOSHIBA products, to observe standards of safety, and to avoid situations in which a malfunction or failure of a TOSHIBA product could cause loss of human life, bodily injury or damage to property. In developing your designs, please ensure that TOSHIBA products are used within specified operating ranges as set forth in the most recent products specifications. Also, please keep in mind the precautions and conditions set forth in the TOSHIBA Semiconductor Reliability Handbook.
- Gallium arsenide (GaAs) is a substance used in the products described in this document. GaAs dust and fumes are toxic. Do not break, cut or pulverize the product, or use chemicals to dissolve them. When disposing of the products, follow the appropriate regulations. Do not dispose of the products with other industrial waste or with domestic garbage.
- The products described in this document are subject to foreign exchange and foreign trade control laws.
- The information contained herein is presented only as a guide for the applications of our products. No responsibility is assumed by TOSHIBA CORPORATION for any infringements of intellectual property or other rights of the third parties which may result from its use. No license is granted by implication or otherwise under any intellectual property or other rights of TOSHIBA CORPORATION or others.
- The information contained herein is subject to change without notice.

PIN CONFIGURATION (TOP VIEW)



- 1 : N.C.
- 2 : ANODE
- 3 : CATHODE
- 4 : N.C.
- 5 : GND
- 6 : V_O (OUTPUT) V_F
- 7 : V_O
- 8 : V_{CC}

SCHMATIC



(Note 2) A $0.1\mu F$ bypass capacitor must be connected between pin 8 and 5.