

## Description

The μPD41256 is a 262,144-word by 1-bit dynamic RAM designed to operate from a single +5-volt power supply and fabricated with a double polylayer, N-channel, silicon-gate process for high density, high performance, and high reliability. A single-transistor storage cell and advanced dynamic circuitry, including 1024 sense amplifiers, ensure that power dissipation is minimized, while an on-chip circuit generates the negative-voltage substrate bias—automatically and transparently.

The three-state output is controlled by  $\overline{\text{CAS}}$  independent of  $\overline{\text{RAS}}$ . After a valid read or read-modify-write cycle, data is held on the output by holding  $\overline{\text{CAS}}$  low. The data output is returned to high impedance by returning  $\text{CAS}$  high. A hidden refresh feature allows  $\text{CAS}$  to be held low to maintain output data while  $\text{RAS}$  is used to execute refresh cycles.

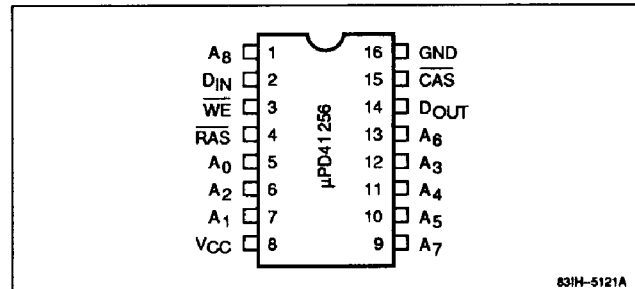
Refreshing may be accomplished by means of  $\overline{\text{RAS}}$ -only refresh cycles, hidden refresh cycles,  $\overline{\text{CAS}}$  before  $\overline{\text{RAS}}$  refresh cycles, or by normal read or write cycles on the 256 address combinations of  $A_0$  through  $A_7$  during a 4-ms refresh period.

## Features

- 262,144-word x 1-bit organization
- High-density plastic DIP and PLCC packaging
- Multiplexed address inputs
- Single +5-volt power supply
- On-chip substrate bias generator
- Low power dissipation of 28 mW max (standby)
- Nonlatched, three-state outputs
- Fully TTL-compatible inputs and outputs
- Low input capacitance
- 256 refresh cycles every 4 ms
- Optional page cycle
- $\overline{\text{RAS}}$ -only, hidden, and  $\overline{\text{CAS}}$  before  $\overline{\text{RAS}}$  refreshing

## Pin Configurations

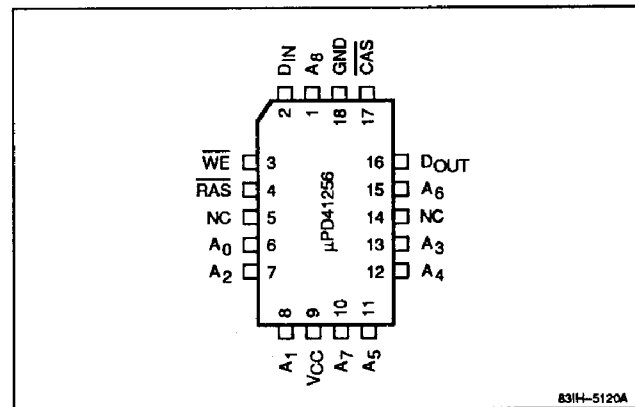
### 16-Pin Plastic DIP



831H-5121A

3a

### 18-Pin Plastic Leaded Chip Carrier (PLCC)



831H-5120A

**Ordering Information**

| Part Number  | Row Access Time (max) | R/W Cycle (min) | Page Cycle (min) | Power Supply Tolerance | Package                            |
|--------------|-----------------------|-----------------|------------------|------------------------|------------------------------------|
| μPD41256C-80 | 80 ns                 | 160 ns          | 70 ns            | ±5%                    | 16-pin plastic DIP                 |
| C-85         | 85 ns                 | 165 ns          | 70 ns            |                        |                                    |
| C-10         | 100 ns                | 200 ns          | 100 ns           | ±10%                   |                                    |
| μPD41256L-80 | 80 ns                 | 160 ns          | 70 ns            | ±5%                    | 18-pin plastic leaded chip carrier |
| L-85         | 85 ns                 | 165 ns          | 70 ns            |                        |                                    |
| L-10         | 100 ns                | 200 ns          | 100 ns           | ±10%                   |                                    |

**Pin Identification**

| Name                            | Function              |
|---------------------------------|-----------------------|
| A <sub>0</sub> - A <sub>8</sub> | Address inputs        |
| CAS                             | Column address strobe |
| D <sub>IN</sub>                 | Data input            |
| D <sub>OUT</sub>                | Data output           |
| RAS                             | Row address strobe    |
| WE                              | Write enable          |
| GND                             | Ground                |
| V <sub>CC</sub>                 | +5-volt power supply  |
| NC                              | No connection         |

**Capacitance**

T<sub>A</sub> = 25°C; f = 1 MHz

| Parameter          | Symbol           | Max | Unit | Pins Under Test                                   |
|--------------------|------------------|-----|------|---|
| Input capacitance  | C <sub>I1</sub>  | 5   | pF   | A <sub>0</sub> - A <sub>8</sub> , D <sub>IN</sub> |
|                    | C <sub>I2</sub>  | 8   | pF   | RAS, CAS, WE                                      |
| Output capacitance | C <sub>OUT</sub> | 7   | pF   | D <sub>OUT</sub>                                  |

**Absolute Maximum Ratings**

|  |                |
|--|----------------|
| Voltage on any pin relative to GND, V <sub>T</sub> | -1.0 to +7.0 V |
| Operating temperature, T <sub>A</sub> (ambient)    | 0 to +70°C     |
| Storage temperature, T <sub>STG</sub>              | -55 to +125°C  |
| Short-circuit output current, I <sub>OS</sub>      | 50 mA          |
| Power dissipation, P <sub>D</sub>                  | 1.0 W          |

Exposure to Absolute Maximum Ratings for extended periods may affect device reliability; exceeding the ratings could cause permanent damage. The device should be operated within the limits specified under DC and AC Characteristics.

**Recommended Operating Conditions**

| Parameter           | Symbol          | Min  | Typ | Max                   | Unit |
|---------------------|-----------------|------|-----|-----------------------|------|
| Supply voltage      | V <sub>CC</sub> | 4.5  | 5.0 | 5.5                   | V    |
| Input voltage, high | V <sub>IH</sub> | 2.4  |     | V <sub>CC</sub> + 1.0 | V    |
| Input voltage, low  | V <sub>IL</sub> | -1.0 |     | 0.8                   | V    |
| Ambient temperature | T <sub>A</sub>  | 0    |     | 70                    | °C   |

**Notes:**

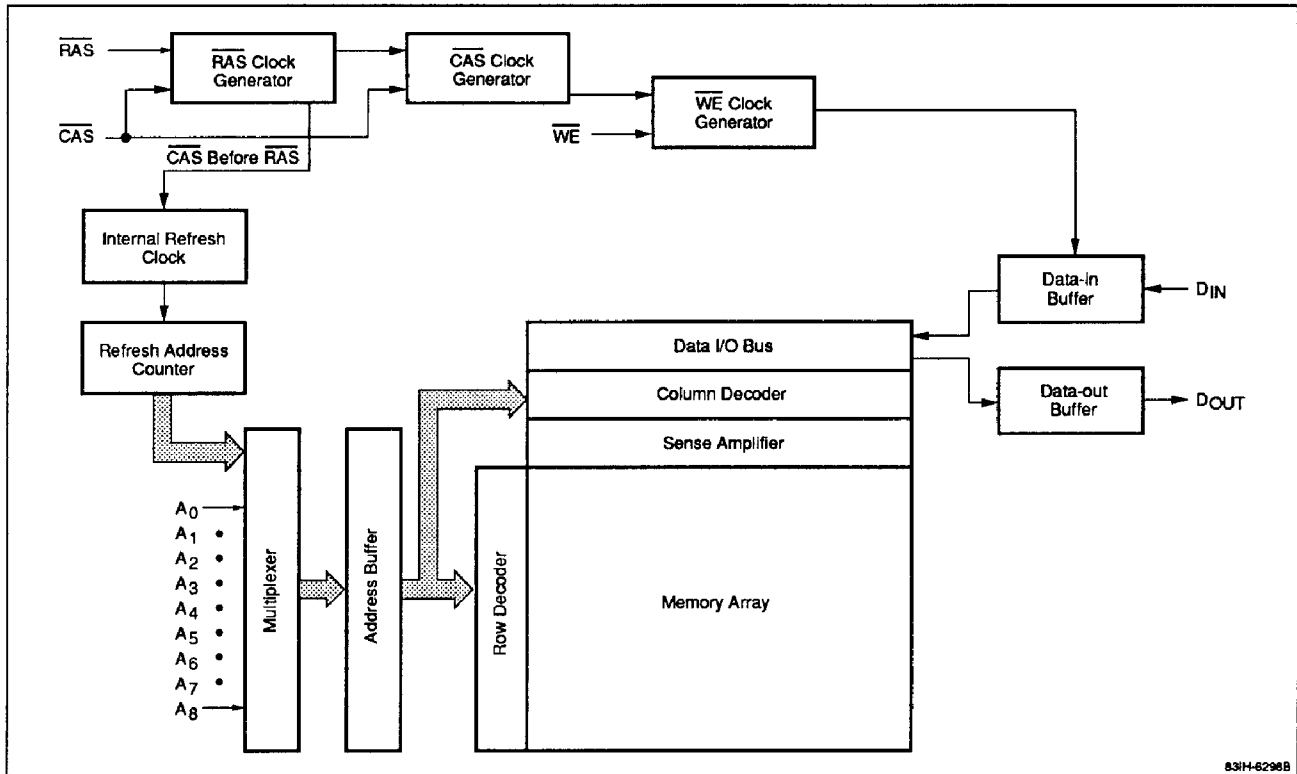
(1) V<sub>CC</sub> = +5 V ±5% for the -80 and -85 versions.

**DC Characteristics**

T<sub>A</sub> = 0 to +70°C; V<sub>CC</sub> = +5.0 V ±10%

| Parameter              | Symbol            | Min | Max | Unit | Test Conditions  |
|------------------------|-------------------|-----|-----|------|--|
| Standby supply current | I <sub>CC2</sub>  |     | 5.0 | mA   | RAS = V <sub>IH</sub> ; D <sub>OUT</sub> = high impedance                      |
| Input leakage current  | I <sub>I(L)</sub> | -10 | 10  | μA   | V <sub>IN</sub> = 0 V to V <sub>CC</sub> ; all other pins not under test = 0 V |
| Output leakage current | I <sub>O(L)</sub> | -10 | 10  | μA   | D <sub>OUT</sub> disabled; V <sub>OUT</sub> = 0 V to V <sub>CC</sub>           |
| Output voltage, low    | V <sub>OL</sub>   |     | 0.4 | V    | I <sub>OL</sub> = 4.2 mA   |
| Output voltage, high   | V <sub>OH</sub>   | 2.4 |     | V    | I <sub>OUT</sub> = -5 mA   |

## Block Diagram



3a

## AC Characteristics

$T_A = 0 \text{ to } +70^\circ\text{C}$

| Parameter  | Symbol    | μPD41256-80 |      | μPD41256-85 |      | μPD41256-10 |     | Unit | Test Conditions  |
|--|-----------|-------------|------|-------------|------|-------------|-----|------|--|
|  |           | Min         | Max  | Min         | Max  | Min         | Max |      |  |
| Supply voltage   | $V_{CC}$  | 4.75        | 5.25 | 4.75        | 5.25 | 4.5         | 5.5 |      |  |
| Operating supply current, average  | $I_{CC1}$ |             | 90   |             | 90   |             | 80  | mA   | $\overline{RAS}$ , $\overline{CAS}$ cycling; $t_{RC} = t_{RC}(\text{min})$ ; $I_O = 0 \text{ mA}$ (Note 5)             |
| Operating supply current, $\overline{RAS}$ -only refresh cycle, average            | $I_{CC3}$ |             | 80   |             | 80   |             | 65  | mA   | $\overline{RAS}$ cycling; $\overline{CAS} \geq V_{IH}$ ; $t_{RC} = t_{RC}(\text{min})$ ; $I_O = 0 \text{ mA}$ (Note 5) |
| Operating supply current, page cycle, average                                      | $I_{CC4}$ |             | 70   |             | 70   |             | 60  | mA   | $\overline{RAS} \leq V_{IL}$ ; $\overline{CAS}$ cycling; $t_{PC} = t_{PC}(\text{min})$ ; $I_O = 0 \text{ mA}$ (Note 5) |
| Operating current, $\overline{CAS}$ before $\overline{RAS}$ refresh cycle, average | $I_{CC5}$ |             | 80   |             | 80   |             | 65  | mA   | $\overline{CAS} \leq V_{IL}$ ; $\overline{RAS}$ cycling; $t_{RC} = t_{RC}(\text{min})$ ; $I/O = 0 \text{ mA}$ (Note 5) |
| Random read or write cycle time  | $t_{RC}$  | 180         |      | 165         |      | 200         |     | ns   | (Note 6)   |
| Read-write cycle time  | $t_{RWC}$ | 185         |      | 195         |      | 240         |     | ns   | (Note 6)   |
| Page cycle time  | $t_{PC}$  | 70          |      | 70          |      | 100         |     | ns   | (Note 6)   |
| Access time from $\overline{RAS}$  | $t_{RAC}$ |             | 80   |             | 85   |             | 100 | ns   | (Notes 7, 8)   |
| Access time from $\overline{CAS}$  | $t_{CAC}$ |             | 40   |             | 40   |             | 50  | ns   | (Notes 7, 9)   |

AC Characteristics (cont)

| Parameter                                       | Symbol           | μPD41256-80 |        | μPD41256-85 |        | μPD41256-10 |        | Unit | Test Conditions                           |
|---|------------------|-------------|--------|-------------|--------|-------------|--------|------|---|
|   |                  | Min         | Max    | Min         | Max    | Min         | Max    |      |   |
| Output buffer turnoff delay                     | t <sub>OFF</sub> | 0           | 20     | 0           | 20     | 0           | 25     | ns   | (Note 10)                                 |
| Rise and fall transition time                   | t <sub>T</sub>   | 3           | 50     | 3           | 50     | 3           | 50     | ns   | (Note 4)                                  |
| RAS precharge time                              | t <sub>RP</sub>  | 70          |        | 70          |        | 90          |        | ns   |   |
| RAS pulse width                                 | t <sub>RAS</sub> | 80          | 16,000 | 85          | 16,000 | 100         | 10,000 | ns   |   |
| RAS hold time                                   | t <sub>RSH</sub> | 40          |        | 40          |        | 50          |        | ns   |   |
| CAS pulse width                                 | t <sub>CAS</sub> | 40          | 10,000 | 40          | 10,000 | 50          | 10,000 | ns   |   |
| CAS hold time                                   | t <sub>CSH</sub> | 80          |        | 85          |        | 100         |        | ns   |   |
| RAS to CAS delay time                           | t <sub>RCD</sub> | 20          | 40     | 20          | 45     | 20          | 50     | ns   | (Note 11)                                 |
| CAS to RAS precharge time                       | t <sub>CRP</sub> | 10          |        | 10          |        | 10          |        | ns   | (Note 12)                                 |
| CAS precharge time, nonpage cycle               | t <sub>CPN</sub> | 25          |        | 25          |        | 25          |        | ns   |   |
| CAS precharge time, page cycle                  | t <sub>CP</sub>  | 20          |        | 20          |        | 40          |        | ns   |   |
| RAS precharge CAS hold time                     | t <sub>RPC</sub> | 0           |        | 0           |        | 0           |        | ns   |   |
| Row address setup time                          | t <sub>ASR</sub> | 0           |        | 0           |        | 0           |        | ns   |   |
| Row address hold time                           | t <sub>RAH</sub> | 10          |        | 10          |        | 10          |        | ns   |   |
| Column address setup time                       | t <sub>ASC</sub> | 0           |        | 0           |        | 0           |        | ns   |   |
| Column address hold time                        | t <sub>CAH</sub> | 15          |        | 20          |        | 15          |        | ns   |   |
| Column address hold time referenced to RAS      | t <sub>AR</sub>  | 55          |        | 65          |        | 65          |        | ns   |   |
| Read command setup time                         | t <sub>RCS</sub> | 0           |        | 0           |        | 0           |        | ns   |   |
| Read command hold time referenced to RAS        | t <sub>RRH</sub> | 10          |        | 10          |        | 10          |        | ns   | (Note 13)                                 |
| Read command hold time referenced to CAS        | t <sub>RCH</sub> | 0           |        | 0           |        | 0           |        | ns   | (Note 13)                                 |
| Write command hold time                         | t <sub>WCH</sub> | 20          |        | 20          |        | 25          |        | ns   |   |
| Write command hold time referenced to RAS       | t <sub>WCR</sub> | 60          |        | 65          |        | 75          |        | ns   |   |
| Write command pulse width                       | t <sub>WP</sub>  | 20          |        | 15          |        | 15          |        | ns   | (Note 17)                                 |
| Write command to RAS lead time                  | t <sub>RWL</sub> | 20          |        | 30          |        | 35          |        | ns   |   |
| Write command to CAS lead time                  | t <sub>CWL</sub> | 20          |        | 30          |        | 35          |        | ns   |   |
| Data-in setup time                              | t <sub>DS</sub>  | 0           |        | 0           |        | 0           |        | ns   | (Note 14)                                 |
| Data-in hold time                               | t <sub>DH</sub>  | 20          |        | 20          |        | 25          |        | ns   | (Note 14)                                 |
| Data-in hold time referenced to RAS             | t <sub>DHR</sub> | 60          |        | 65          |        | 75          |        | ns   |   |
| Refresh period                                  | t <sub>REF</sub> |             | 4      |             | 4      |             | 4      | ms   | Addresses A <sub>0</sub> - A <sub>7</sub> |
| WE command setup time                           | t <sub>WCS</sub> | 0           |        | 0           |        | 0           |        | ns   | (Note 15)                                 |
| CAS to WE delay                                 | t <sub>CWD</sub> | 40          |        | 40          |        | 50          |        | ns   | (Note 15)                                 |
| RAS to WE delay                                 | t <sub>RWD</sub> | 80          |        | 85          |        | 100         |        | ns   | (Note 15)                                 |
| CAS setup time for CAS before RAS refresh cycle | t <sub>CSR</sub> | 10          |        | 10          |        | 10          |        | ns   | (Note 16)                                 |

## AC Characteristics (cont)

| Parameter                                      | Symbol            | μPD41256-80 |     | μPD41256-85 |     | μPD41256-10 |     | Unit | Test Conditions |
|--|-------------------|-------------|-----|-------------|-----|-------------|-----|------|-----------------|
|  |                   | Min         | Max | Min         | Max | Min         | Max |      |                 |
| CAS hold time for CAS before RAS refresh cycle | t <sub>CHR</sub>  | 20          |     | 15          |     | 20          |     | ns   | (Note 16)       |
| Read-write cycle time (counter test cycle)     | t <sub>TRC</sub>  | N/A         |     | N/A         |     | 220         |     | ns   | (Note 18)       |
| Read-write cycle time (counter test cycle)     | t <sub>TRWC</sub> | N/A         |     | N/A         |     | 260         |     | ns   | (Note 18)       |

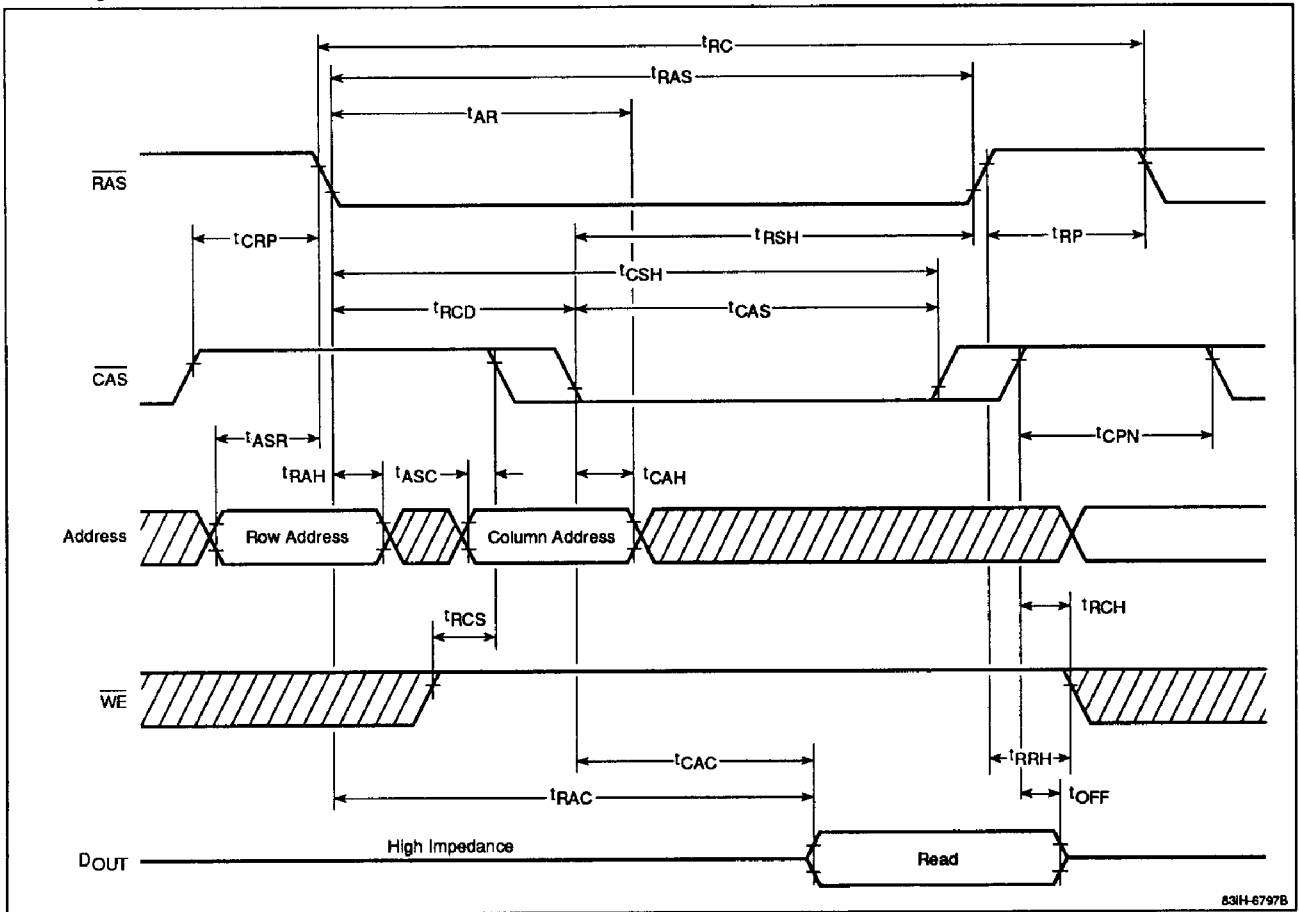
### Notes:

- (1) All voltages are referenced to GND.
- (2) An initial pause of 100 μs is required after power-up, followed by any eight RAS cycles, before proper device operation is achieved.
- (3) AC measurements assume t<sub>T</sub> = 5 ns.
- (4) V<sub>IH</sub> (min) and V<sub>IL</sub> (max) are reference levels for measuring the timing of input signals. Transition times are measured between V<sub>IH</sub> and V<sub>IL</sub>.
- (5) I<sub>CC1</sub>, I<sub>CC3</sub>, I<sub>CC4</sub>, and I<sub>CC5</sub> depend on output loading and cycle rates. Specified values are obtained with the output open.
- (6) The minimum specifications are used only to indicate the cycle time at which proper operation over the full temperature range (T<sub>A</sub> = 0 to +70°C) is assured.
- (7) Output load = 2 TTL loads and 100 pF
- (8) Assumes that t<sub>RCD</sub> ≤ t<sub>RCD</sub> (max). If t<sub>RCD</sub> is greater than the maximum recommended value shown in this table, t<sub>RAC</sub> will increase by the amount that t<sub>RCD</sub> exceeds the value shown.
- (9) Assumes that t<sub>RCD</sub> ≥ t<sub>RCD</sub> (max)
- (10) t<sub>OFF</sub> (max) defines the time at which the output achieves the open-circuit condition and is not referenced to V<sub>OH</sub> or V<sub>OL</sub>.
- (11) Operation within the t<sub>RCD</sub> (max) limit assures that t<sub>RAC</sub> (max) can be met. t<sub>RCD</sub> (max) is specified as a reference point only. If t<sub>RCD</sub> is greater than the specified t<sub>RCD</sub> (max) limit, then access time is controlled exclusively by t<sub>CAC</sub>.
- (12) The t<sub>CRP</sub> requirement should be applicable for RAS/CAS cycles preceded by any cycle.
- (13) Either t<sub>RRH</sub> or t<sub>RCH</sub> must be satisfied for a read cycle.
- (14) These parameters are referenced to the leading edge of CAS in early write cycles and to the leading edge of WE in delayed write or read-modify-write cycles.
- (15) t<sub>WCS</sub>, t<sub>CWD</sub>, and t<sub>RWD</sub> are restrictive operating parameters in read-write and read-modify-write cycles only. If t<sub>WCS</sub> ≥ t<sub>WCS</sub> (min), the cycle is an early write cycle and the data output will remain open-circuit throughout the entire cycle. If t<sub>CWD</sub> ≥ t<sub>CWD</sub> (min) and t<sub>RWD</sub> ≥ t<sub>RWD</sub> (min), the cycle is a read-write cycle and the data output will contain data read from the selected cell. If neither of the above conditions is met, the condition of the data output (at access time and until CAS goes back to V<sub>IH</sub>) is indeterminate.
- (16) DIP products with process codes E, K, P and X do not have the CAS before RAS refresh feature. All other package types and process codes do have CAS before RAS refreshing. On DIP products with process codes E, K, P and X, the external address inputs are required in hidden refresh cycles and the address timing must satisfy t<sub>ASR</sub> and t<sub>RAH</sub>, which are specified with respect to the falling edge of RAS.
- (17) t<sub>WP</sub> is applicable for a delayed write cycle. If the cycle is early write, it should be satisfied with the specified value of t<sub>WCH</sub>.
- (18) t<sub>TRC</sub> and t<sub>TRWL</sub> are applicable for a CAS before RAS refresh counter test cycle.

3a

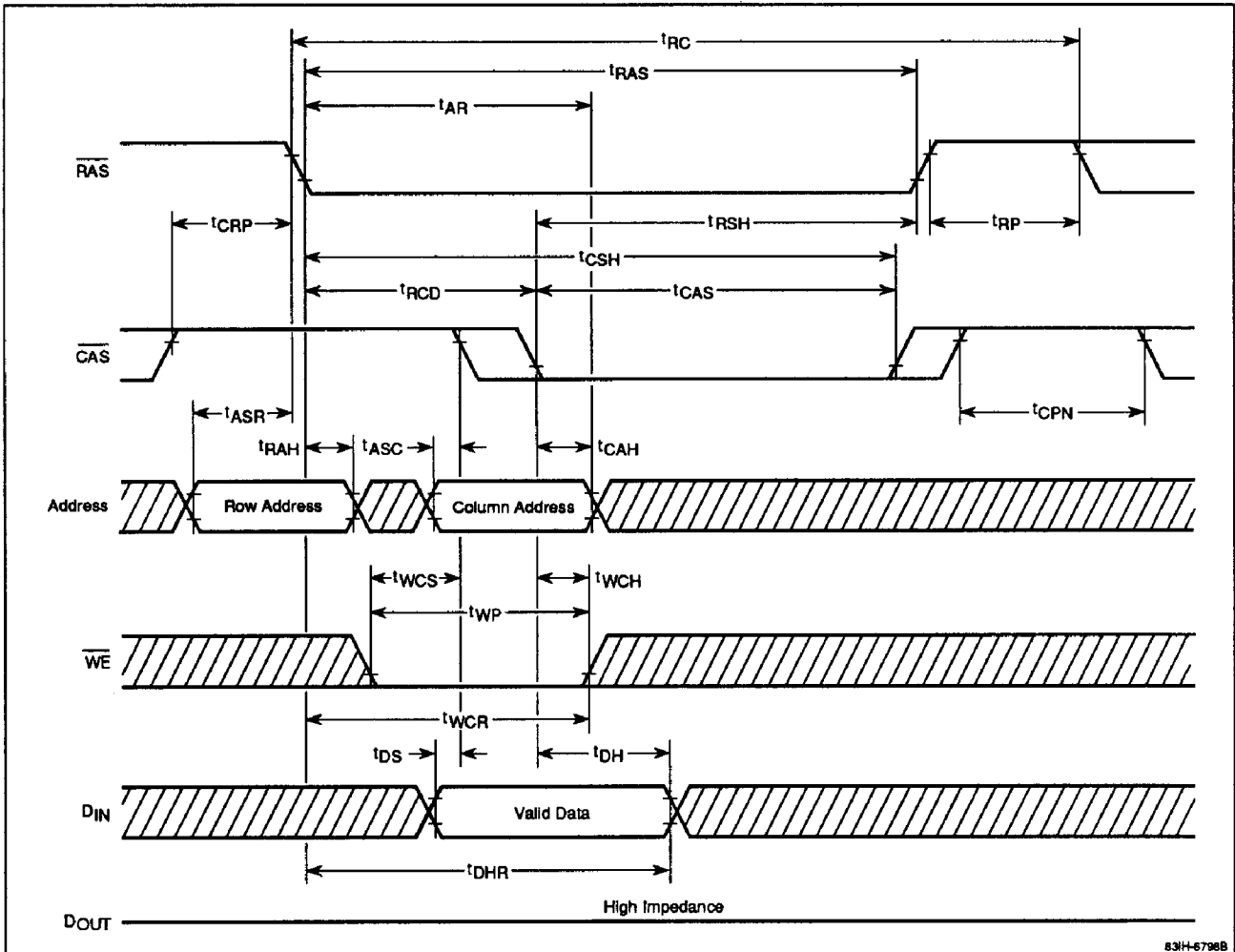
Timing Waveforms

Read Cycle



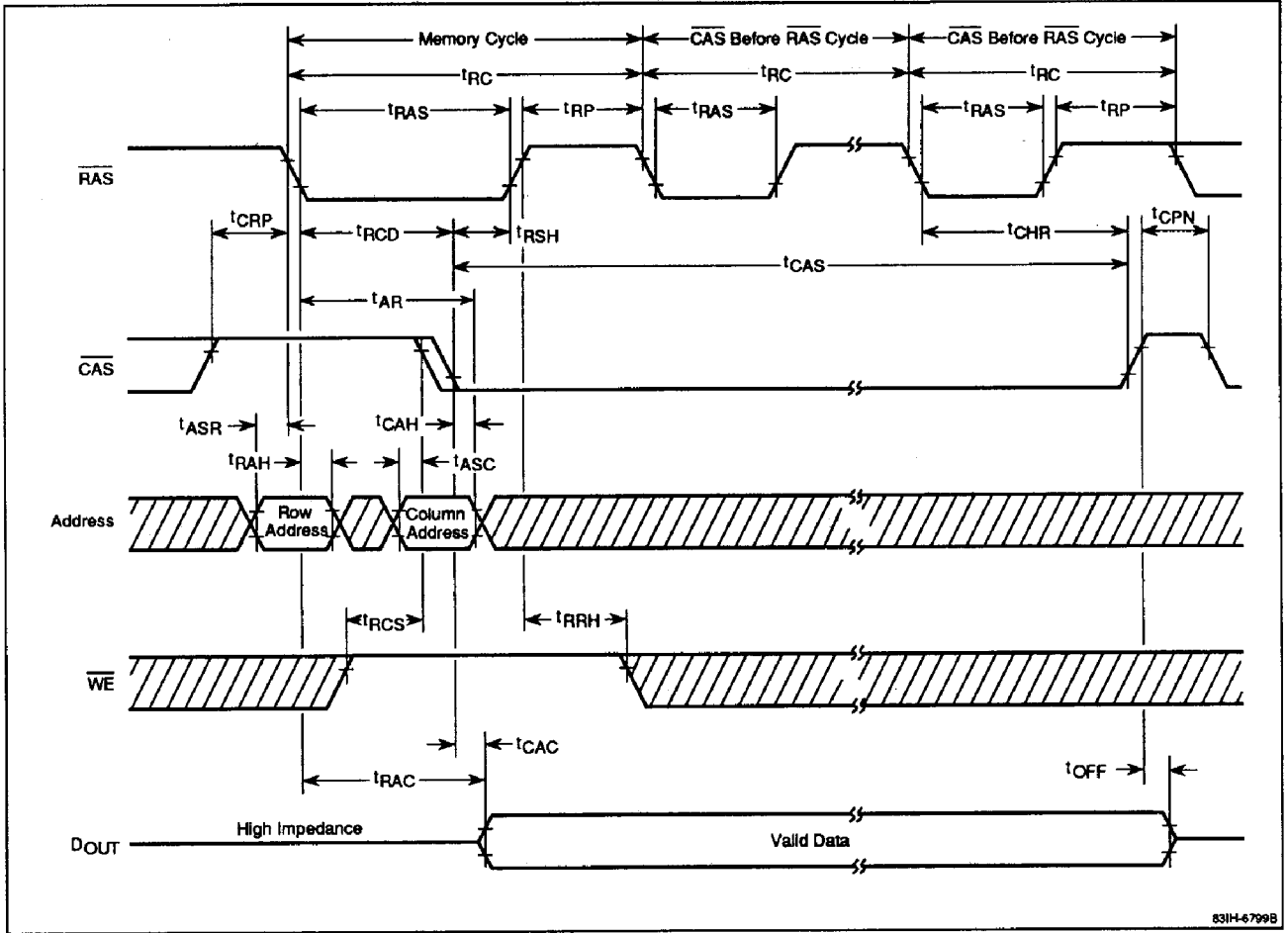
## Timing Waveforms (cont)

### Early Write Cycle



Timing Waveforms (cont)

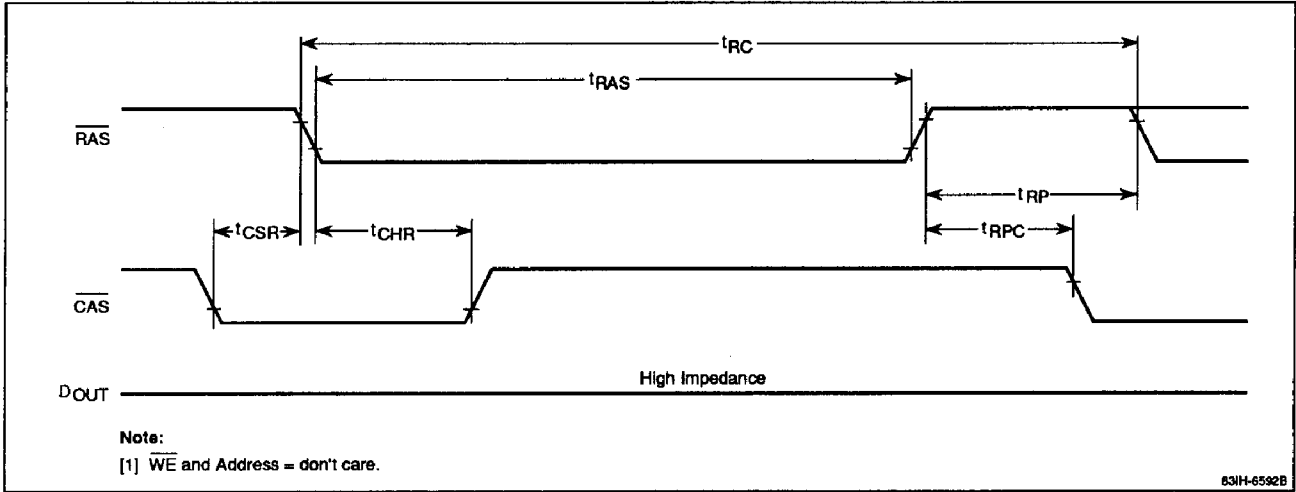
Hidden Refresh Cycle





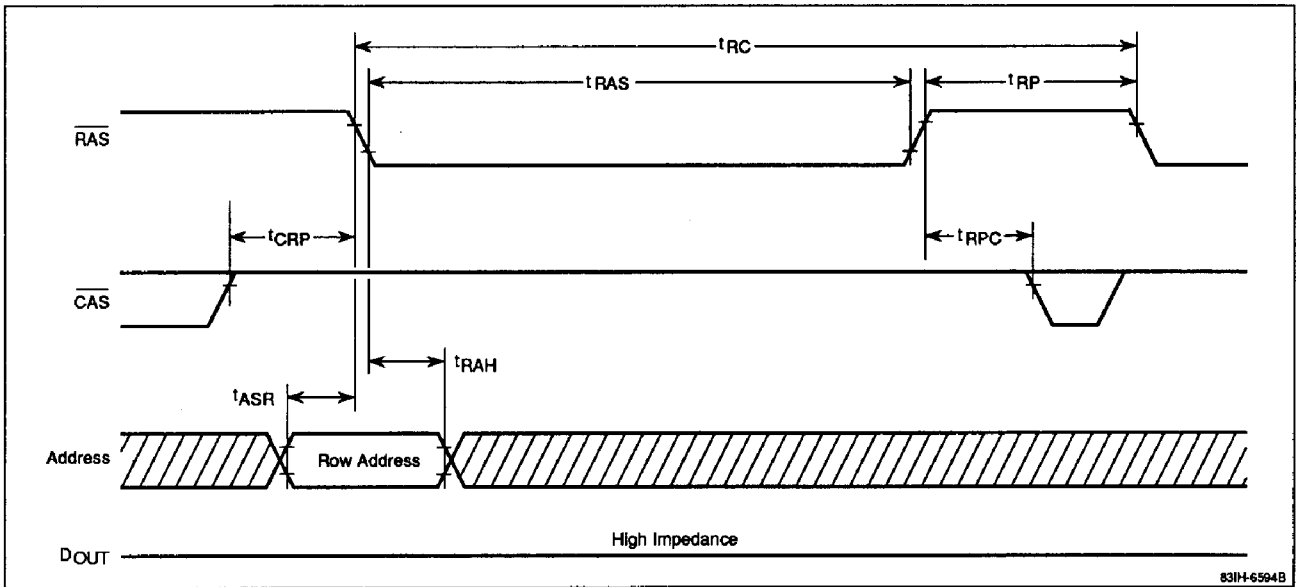
## Timing Waveforms (cont)

### $\overline{\text{CAS}}$ Before $\overline{\text{RAS}}$ Refresh Cycle



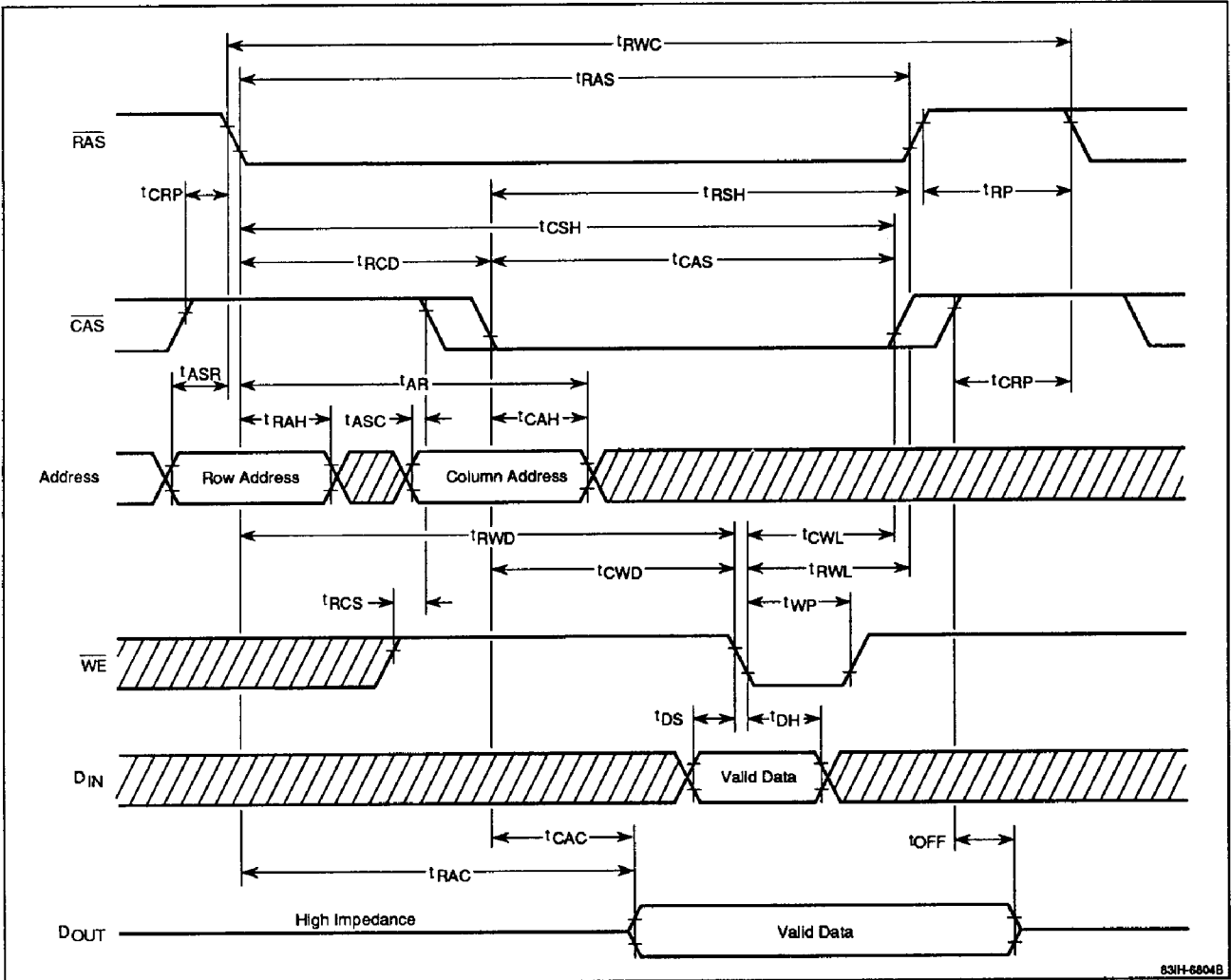
3a

### $\overline{\text{RAS}}$ -Only Refresh Cycle



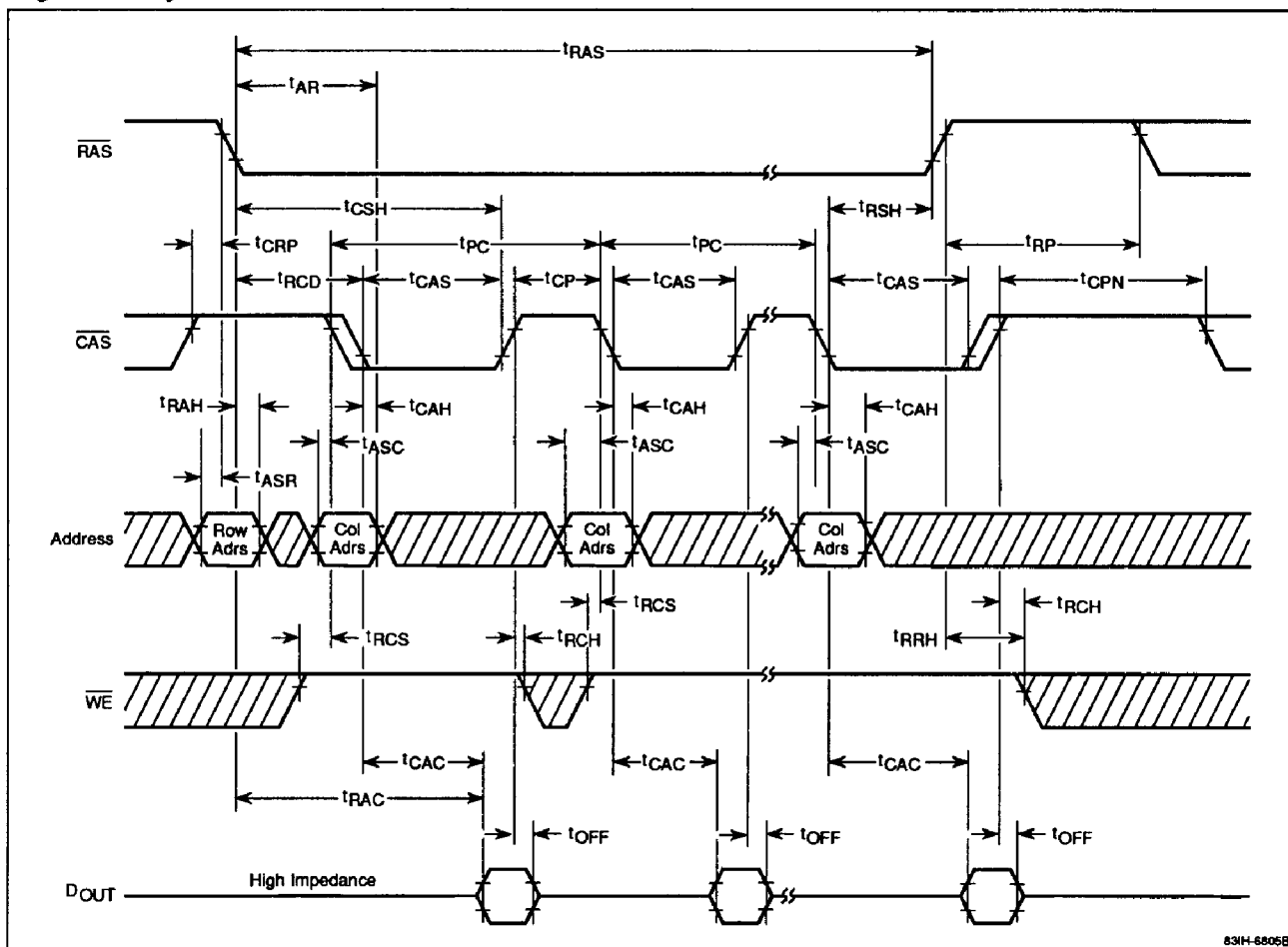
Timing Waveforms (cont)

Read-Write/Read-Modify-Write Cycle



## Timing Waveforms (cont)

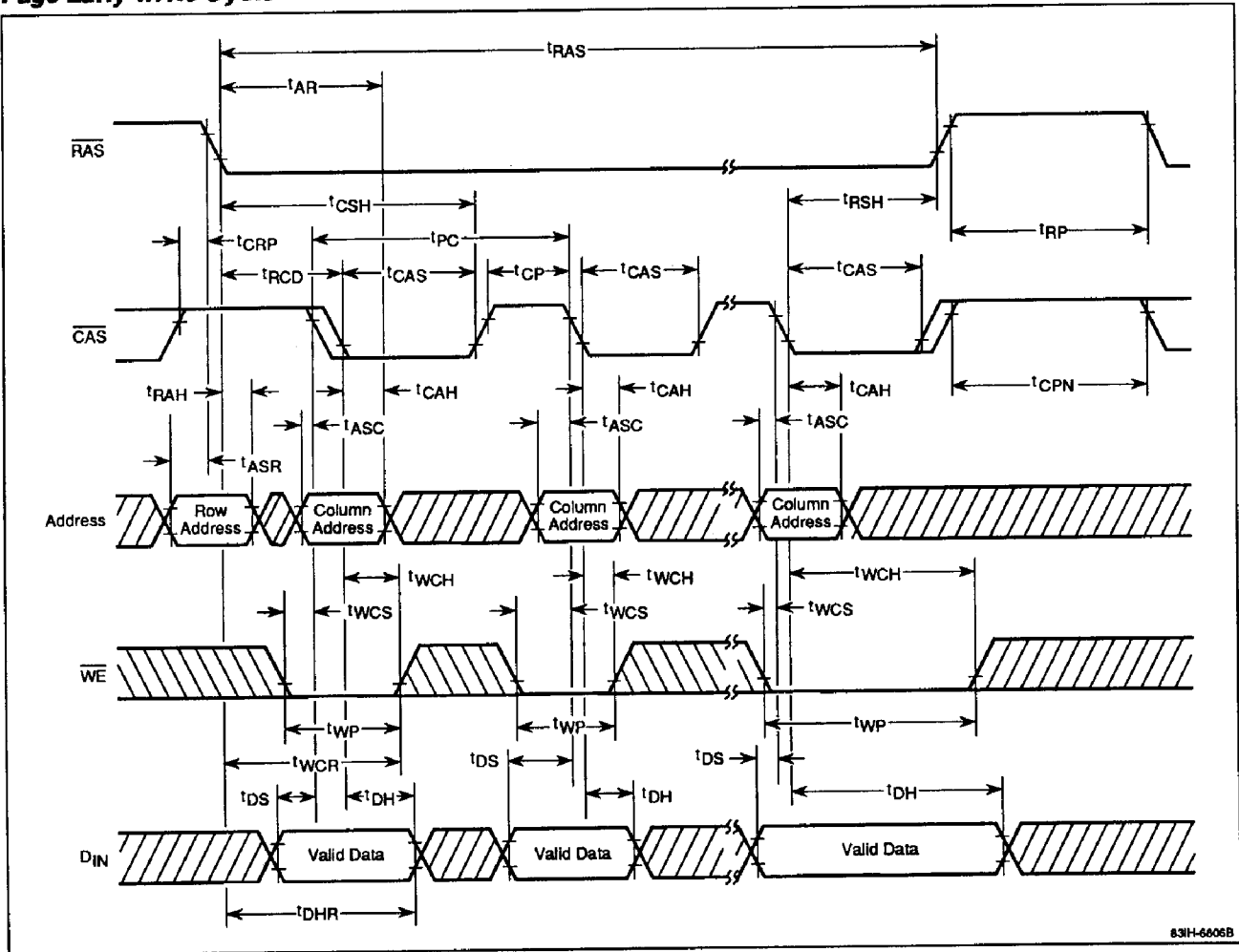
### Page Read Cycle



3a

Timing Waveforms (cont)

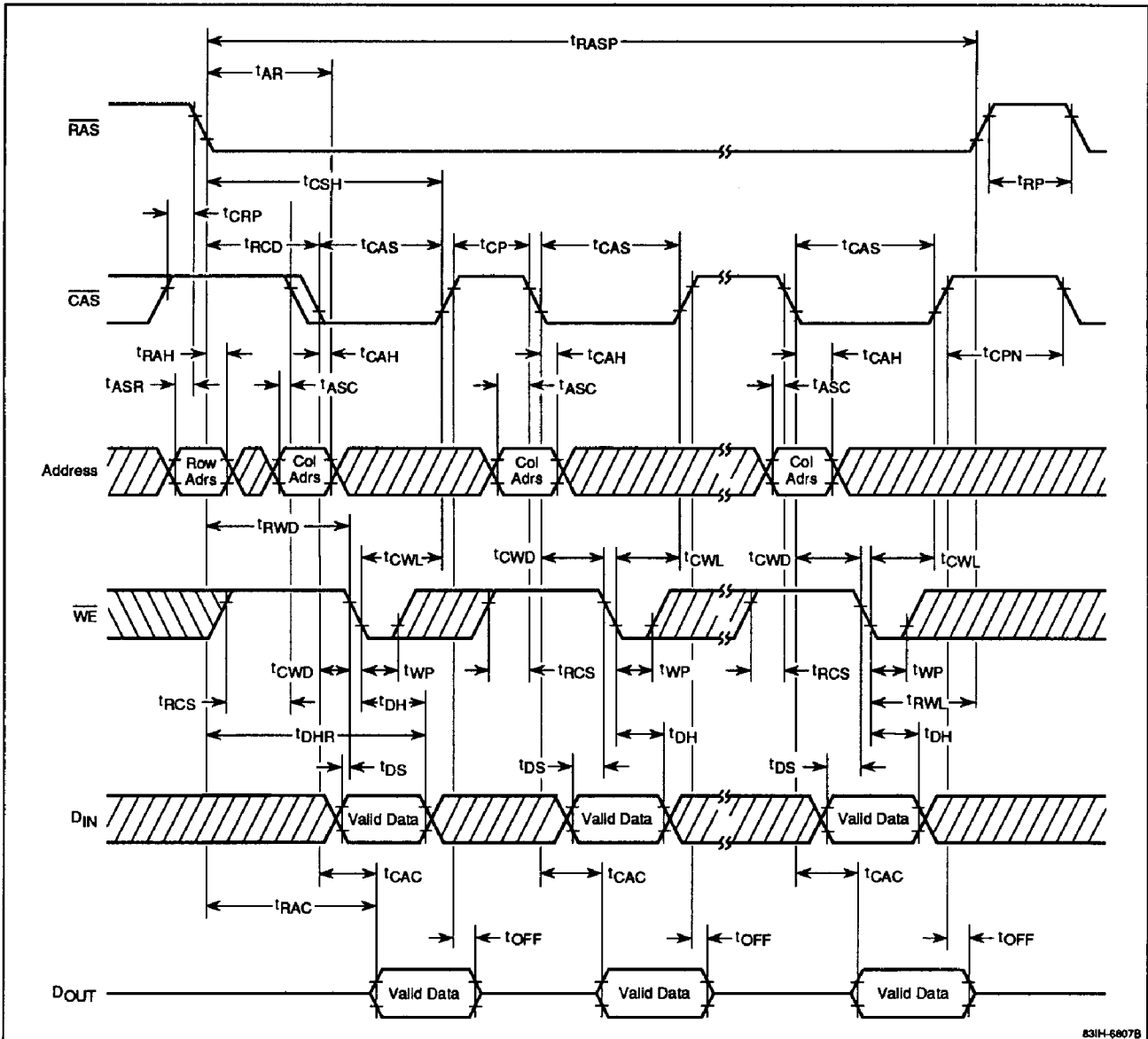
Page Early Write Cycle



83H-6606B

Timing Waveforms (cont)

Page Read-Write/Read-Modify-Write Cycle



3a

831H-6807B

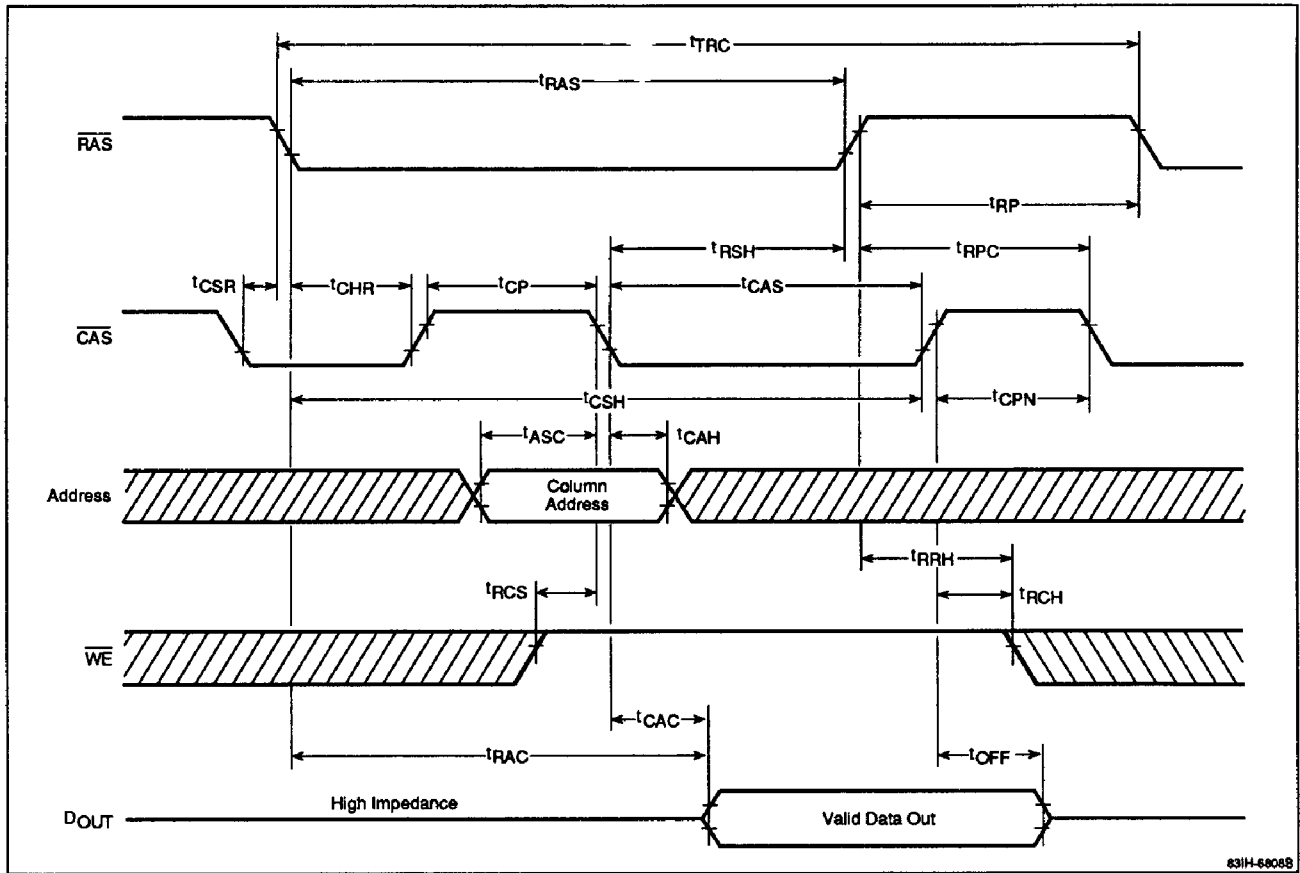
**CAS Before RAS Refresh Counter Test**

The μPD41256 provides a method to verify proper operation of the internal address counter used in  $\overline{\text{CAS}}$  before  $\overline{\text{RAS}}$  refreshing. After a  $\overline{\text{CAS}}$  before  $\overline{\text{RAS}}$  refresh cycle is initiated,  $\overline{\text{CAS}}$  satisfies a hold time ( $t_{\text{CHR}}$ ), a precharge time ( $t_{\text{CP}}$ ), and then returns low while  $\overline{\text{RAS}}$  is held low to enable read, write, or read-modify-write operation. As shown in the appropriate timing waveforms, a refresh counter test can be initiated at this point on specified row and column addresses. The row is selected by the internal address counter, and the column is defined by an external address supplied at the second falling edge of  $\overline{\text{CAS}}$ . Test patterns can be generated in several ways; the following example is one possibility. Any pattern must be preceded by the normal power-up procedure containing a pause of 100 μs and then eight  $\overline{\text{RAS}}$  cycles to initialize the internal counter.

- (1) Write "0" into 256 memory cells with 256  $\overline{\text{CAS}}$  before  $\overline{\text{RAS}}$  refresh counter test write cycles. Use the same column address in each cycle.
- (2) Use a counter test read-modify-write cycle to read the "0" written in the first cycle of step 1 and then write a "1" into that location in the same cycle. Perform this operation 256 times, until a "1" is written into each of the 256 memory cells. Continue using the same column address as specified in step 1.
- (3) Read each "1" written in step 2 using a counter test read cycle.
- (4) Complement the test pattern and repeat steps 1, 2, and 3.

Timing Waveforms (cont)

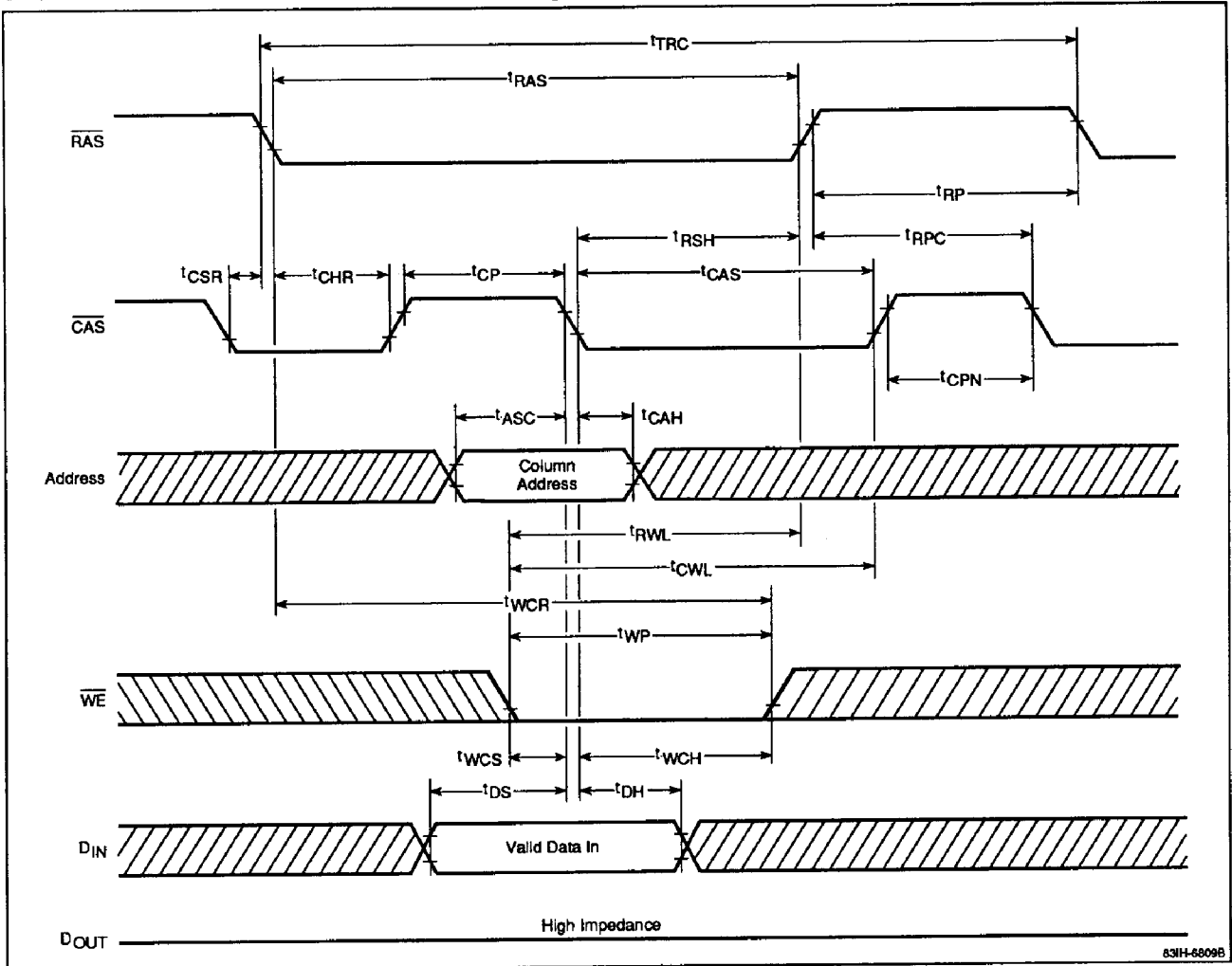
**CAS Before RAS Refresh Counter Test Read Cycle**



3a

Timing Waveforms (cont)

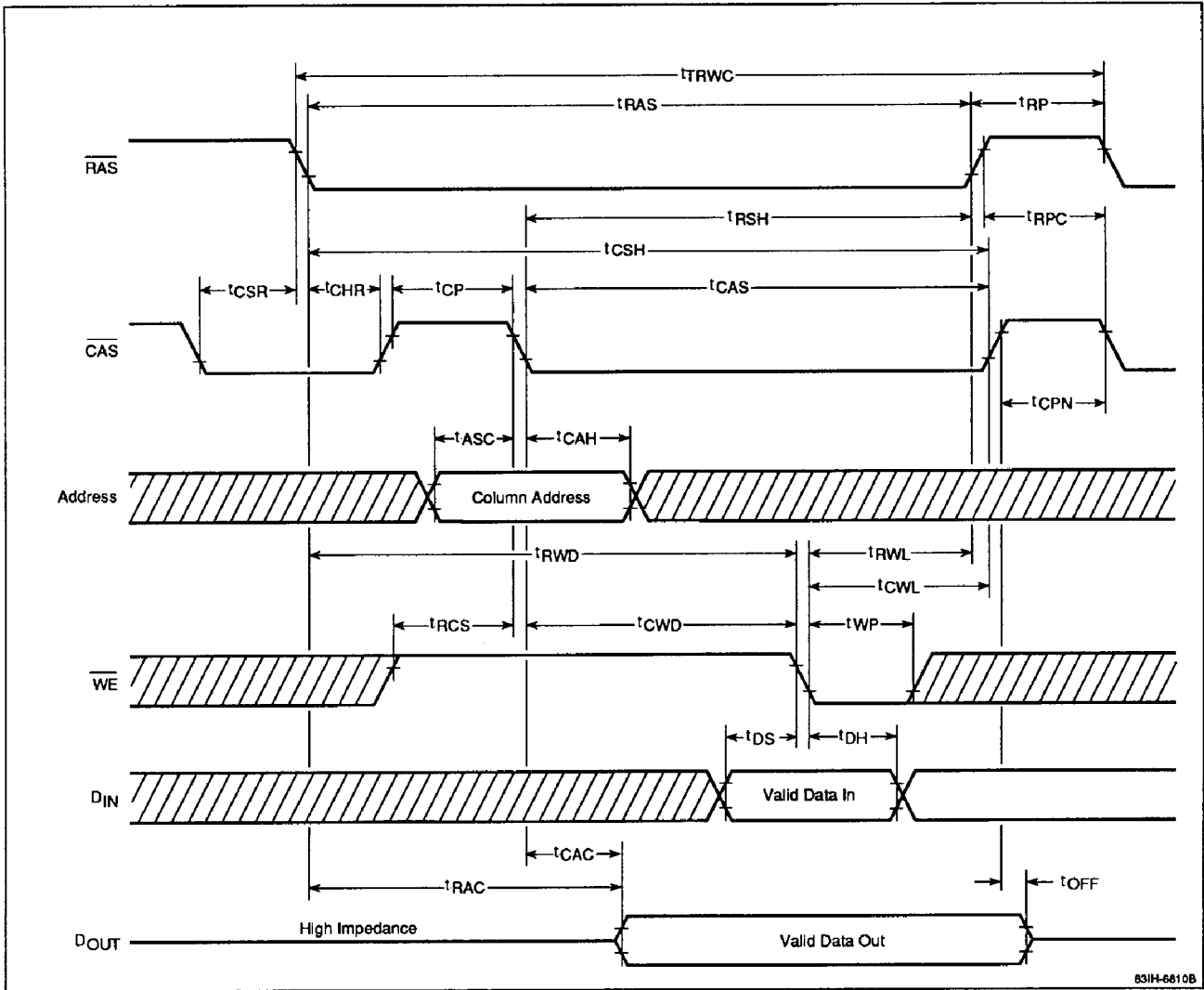
**CAS Before RAS Refresh Counter Test Write Cycle**





Timing Waveforms (cont)

**CAS Before RAS Refresh Counter Test Read-Modify-Write Cycle**



3a