



WITH 4 PATTERN DISPLAY
16 LED FLASH

16 LED 閃燈 IC

LED FLASH	
M1160	

FEATURES 功能敘述

- TRIG : TG1—clockwise.
TG2—counterclockwise.
- SEQ : display 1 pattern sequentially.
- DEMO : display 4 patterns sequentially.
- LH : level-hold. (Default OSH)

PATTERN	
1	GO!GO!
2	
3	
4	我愛你

APPLICATION 產品應用

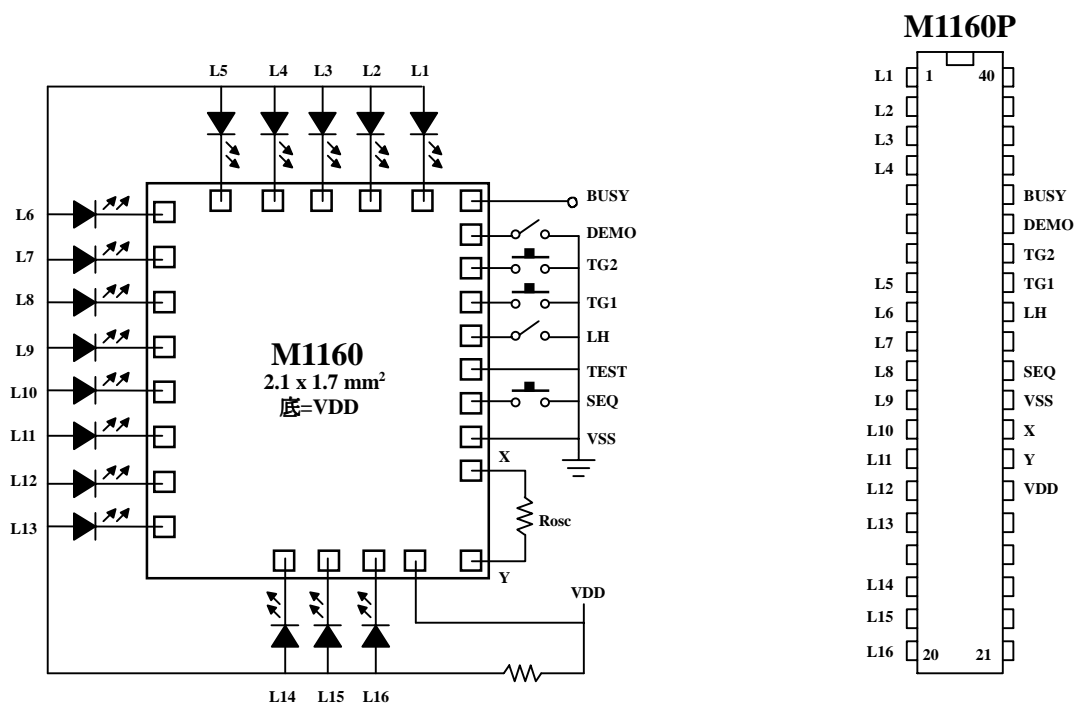
- Arcade game system, Toys.

ELECTRICAL CHARACTERISTICS 電氣規格

(@V_{DD}=3V unless otherwise specified)

Characteristics	Sym.	Min.	Typ.	Max.	Unit	REMARKS
工作电压 Operating Voltage	V _{DD}	—	3	3.5	V	
工作电流 Operating Current	I _{OP}	—	0.1	0.5	mA	No load
静态电流 Quiescent Current	I _{SB}	—	1	5	μA	
推动电流 Driving Current	I _{OL}	4	—	—	mA	@ V _{DS} =1.2V
振荡频率 Oscillator Frequency	F _{OSC}	—	32	—	KHz	±30% TOL., R _{osc} =750K Ω
工作温度 Operating Temperature	Temp.	0	25	60	°C	

APPLICATION DIAGRAM 參考電路圖



*All specs and applications shown above subject to change without prior notice.
(以上電路及規格僅供參考,本公司得徑行修正)