

FEATURES

- Up to 500 MHz high performance Blackfin processor
- Two 16-bit MACs, two 40-bit ALUs, four 8-bit video ALUs, 40-bit shifter
- RISC-like register and instruction model for ease of programming and compiler friendly support
- Advanced debug, trace, and performance monitoring
- 0.8 V to 1.2 V core V_{DD} with on-chip voltage regulation
- 3.3 V tolerant I/O with specific 5 V tolerant pins
- 316-ball Pb-free mini-BGA package

MEMORY

- 148K bytes of on-chip memory:
 - 16K bytes of instruction SRAM/cache
 - 64K bytes of instruction SRAM
 - 32K bytes of data SRAM
 - 32K bytes of data SRAM/cache
 - 4K bytes of scratchpad SRAM
- 512K bytes or 1M byte of flash memory (ADSP-BF538F parts only)
- Four dual-channel memory DMA controllers

- Memory management unit providing memory protection
- External memory controller with glueless support for SDRAM, SRAM, flash, and ROM
- Flexible memory booting options from SPI® and external memory

PERIPHERALS

- Parallel peripheral interface (PPI/GPIO) supporting ITU-R 656 video data formats
- Four dual-channel, full-duplex synchronous serial ports, supporting 16 stereo I²S® channels
- Two DMA controllers supporting 26 DMA channels
- Controller area network (CAN) 2.0B controller
- Three SPI-compatible ports
- Three timer/counters with PWM support
- Three UARTs with support for IrDA®
- Two TWI controllers compatible with I²C® industry standard
- Up to 54 general-purpose I/O pins (GPIO)
- Real time clock, watchdog timer, and core timer
- On-chip PLL capable of 0.5x To 64x frequency multiplication
- Debug/JTAG interface

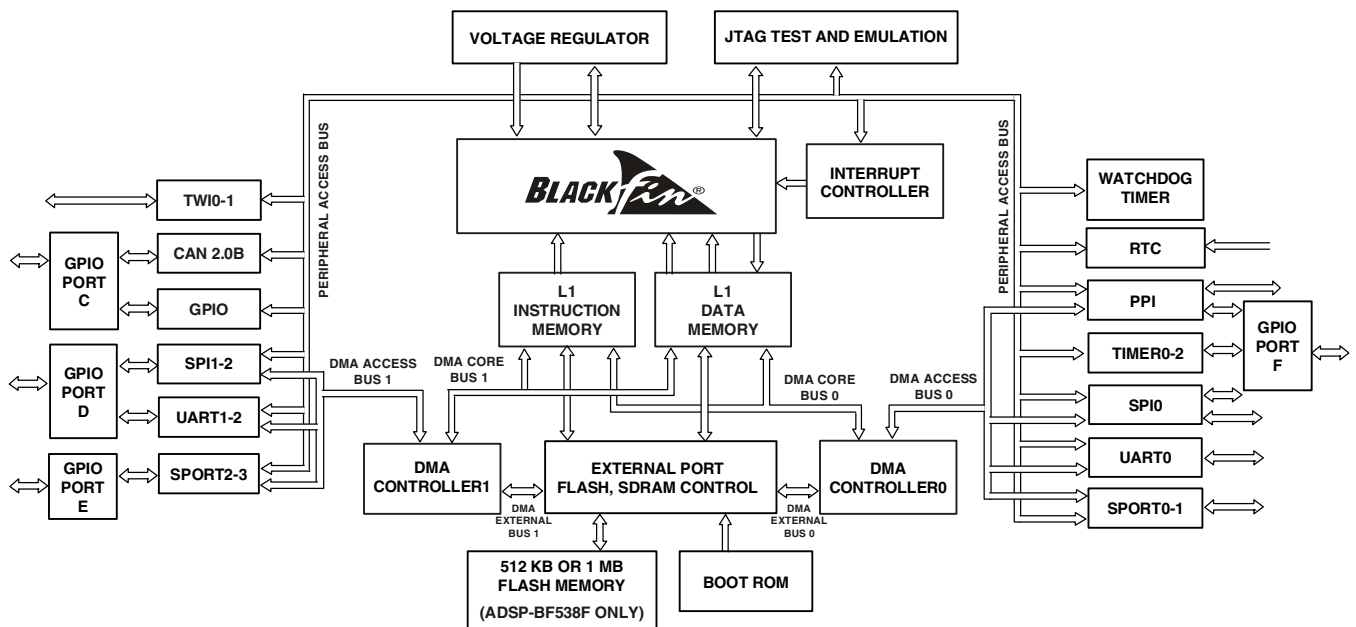


Figure 1. Functional Block Diagram

Blackfin and the Blackfin logo are registered trademarks of Analog Devices, Inc.

Rev. PrD

Information furnished by Analog Devices is believed to be accurate and reliable. However, no responsibility is assumed by Analog Devices for its use, nor for any infringements of patents or other rights of third parties that may result from its use. Specifications subject to change without notice. No license is granted by implication or otherwise under any patent or patent rights of Analog Devices. Trademarks and registered trademarks are the property of their respective owners.

TABLE OF CONTENTS

General Description	3	Operating Conditions	22
Low Power Architecture	3	Operating Conditions—Applies to 5V Tolerant pins	22
System Integration	3	Electrical Characteristics	22
ADSP-BF538/ADSP-BF538F Processor Peripherals	3	Absolute Maximum Ratings	23
Blackfin Processor Core	4	Package Information	23
Memory Architecture	5	ESD Sensitivity	23
DMA Controllers	8	Timing Specifications	24
Real Time Clock	9	Clock and Reset Timing	24
Watchdog Timer	9	Asynchronous Memory Read Cycle Timing	25
Timers	9	Asynchronous Memory Write Cycle Timing	27
Serial Ports (SPORTs)	10	SDRAM Interface Timing	29
Serial Peripheral Interface (SPI) Ports	10	External Port Bus Request and Grant Cycle Timing ..	30
Two Wire Interface	10	Parallel Peripheral Interface Timing	32
UART Ports	10	Serial Port Timing	35
General-Purpose Ports	11	Serial Peripheral Interface Port—Master Timing	39
Parallel Peripheral Interface	11	Serial Peripheral Interface Port—Slave Timing	40
Controller Area Network (CAN) Interface	12	General-Purpose Port Timing	41
Dynamic Power Management	12	Timer Cycle Timing	42
Voltage Regulation	14	JTAG Test And Emulation Port Timing	43
Clock Signals	14	Output Drive Currents	44
Bootling Modes	15	Power Dissipation	46
Instruction Set Description	15	Test Conditions	46
Development Tools	16	Thermal Characteristics	50
Designing an Emulator Compatible Processor Board ...	17	316-Ball Mini-BGA Pinout	51
Voltage Regulator Layout Guidelines	17	Outline Dimensions	54
Pin Descriptions	18	Surface Mount Design	55
Specifications	22	Ordering Guide	55

REVISION HISTORY

5/06—Revision PrD:

For this revision, the following sections were changed.

Functional Block Diagram	1
Bootling Modes	15
Pin Descriptions	18
Output Drive Currents	44
Power Dissipation	46
Test Conditions	46
316-Ball Mini-BGA Pinout	51

GENERAL DESCRIPTION

The ADSP-BF538/ADSP-BF538F processors are members of the Blackfin family of products, incorporating the Analog Devices/Intel Micro Signal Architecture (MSA). Blackfin processors combine a dual-MAC state-of-the-art signal processing engine, the advantages of a clean, orthogonal RISC-like micro-processor instruction set, and single-instruction, multiple-data (SIMD) multimedia capabilities into a single instruction set architecture.

The ADSP-BF538/ADSP-BF538F processors are completely code compatible with other Blackfin processors, differing only with respect to performance, peripherals, and on-chip memory. Specific performance, peripherals, and memory configurations are shown in [Table 1](#).

Table 1. Processor Features

Feature	ADSP-BF538	ADSP-BF538F4	ADSP-BF538F8
Maximum Performance	500 MHz 1000 MMACs		
Instruction SRAM/Cache	16 K bytes		
Instruction SRAM	64 K bytes		
Data SRAM/Cache	32 K bytes		
Data SRAM	32 K bytes		
Scratchpad	4 K bytes		
Flash	NA	512 K bytes	1 M byte
SPORTs	4		
SPIs	3		
TWIs (connection to I ² C compatible devices)	2		
UARTs	3		
CAN	1		
PPI	1		
Package Option	See Ordering Guide on Page 55		

By integrating a rich set of industry-leading system peripherals and memory, Blackfin processors are the platform of choice for next generation applications that require RISC-like programmability, multimedia support and leading edge signal processing in one integrated package.

LOW POWER ARCHITECTURE

Blackfin processors provide world class power management and performance. Blackfin processors are designed in a low power and low voltage design methodology and feature dynamic power management, the ability to vary both the voltage and frequency of operation to significantly lower overall power consumption. Varying the voltage and frequency can result in a

substantial reduction in power consumption, compared with just varying the frequency of operation. This translates into longer battery life and lower heat dissipation.

SYSTEM INTEGRATION

The ADSP-BF538/ADSP-BF538F processors are highly integrated system-on-a-chip solution for the next generation of consumer and industrial applications including audio and video signal processing. By combining advanced memory configurations, such as on-chip flash memory, with industry-standard interfaces with a high performance signal processing core, users can develop cost-effective solutions quickly without the need for costly external components. The system peripherals include three UART ports, three SPI ports, four serial ports (SPORT), one CAN interface, 2 two wire interfaces (TWI), four general-purpose timers (three with PWM capability), a real-time clock, a watchdog timer, a parallel peripheral interface, general-purpose I/O, and general-purpose I/O pins.

ADSP-BF538/ADSP-BF538F PROCESSOR PERIPHERALS

The ADSP-BF538/ADSP-BF538F processors contain a rich set of peripherals connected to the core via several high bandwidth buses, providing flexibility in system configuration as well as excellent overall system performance (see the block diagram [on Page 1](#)). The general-purpose peripherals include functions such as UART, Timers with PWM (pulse width modulation) and pulse measurement capability, general-purpose I/O pins, a real time clock, and a watchdog timer. This set of functions satisfies a wide variety of typical system support needs and is augmented by the system expansion capabilities of the device. In addition to these general-purpose peripherals, the ADSP-BF538/ADSP-BF538F processors contain high speed serial and parallel ports for interfacing to a variety of audio, video, and modem codec functions. A CAN 2.0B controller is provided for automotive control networks. An interrupt controller manages interrupts from the on-chip peripherals or external sources. Power management control functions tailor the performance and power characteristics of the processors and system to many application scenarios.

All of the peripherals, except for general-purpose I/O, CAN, TWI, real time clock, and timers, are supported by a flexible DMA structure. There are also two separate memory DMA controllers dedicated to data transfers between the processor's various memory spaces, including external SDRAM and asynchronous memory. Multiple on-chip buses running at up to 133 MHz provide enough bandwidth to keep the processor core running along with activity on all of the on-chip and external peripherals.

The ADSP-BF538/ADSP-BF538F processors include an on-chip voltage regulator in support of the ADSP-BF538/ADSP-BF538F processor's dynamic power management capability. The voltage regulator provides a range of core voltage levels from a single 2.25 V to 3.6 V input. The voltage regulator can be bypassed at the user's discretion.

BLACKFIN PROCESSOR CORE

As shown in [Figure 2 on Page 4](#), the Blackfin processor core contains two 16-bit multipliers, two 40-bit accumulators, two 40-bit ALUs, four video ALUs, and a 40-bit shifter. The computation units process 8-bit, 16-bit, or 32-bit data from the register file.

The compute register file contains eight 32-bit registers. When performing compute operations on 16-bit operand data, the register file operates as 16 independent 16-bit registers. All operands for compute operations come from the multiported register file and instruction constant fields.

Each MAC can perform a 16-bit by 16-bit multiply in each cycle, accumulating the results into the 40-bit accumulators. Signed and unsigned formats, rounding, and saturation are supported.

The ALUs perform a traditional set of arithmetic and logical operations on 16-bit or 32-bit data. In addition, many special instructions are included to accelerate various signal processing tasks. These include bit operations such as field extract and population count, modulo 2^{32} multiply, divide primitives, saturation and rounding, and sign/exponent detection. The set of video instructions include byte alignment and packing operations, 16-

bit and 8-bit adds with clipping, 8-bit average operations, and 8-bit subtract/absolute value/accumulate (SAA) operations. Also provided are the compare/select and vector search instructions.

For certain instructions, two 16-bit ALU operations can be performed simultaneously on register pairs (a 16-bit high half and 16-bit low half of a compute register). By also using the second ALU, quad 16-bit operations are possible.

The 40-bit shifter can perform shifts and rotates and is used to support normalization, field extract, and field deposit instructions.

The program sequencer controls the flow of instruction execution, including instruction alignment and decoding. For program flow control, the sequencer supports PC relative and indirect conditional jumps (with static branch prediction), and subroutine calls. Hardware is provided to support zero overhead looping. The architecture is fully interlocked, meaning that the programmer need not manage the pipeline when executing instructions with data dependencies.

The address arithmetic unit provides two addresses for simultaneous dual fetches from memory. It contains a multiported register file consisting of four sets of 32-bit index, modify, length, and base registers (for circular buffering), and eight additional 32-bit pointer registers (for C style indexed stack manipulation).

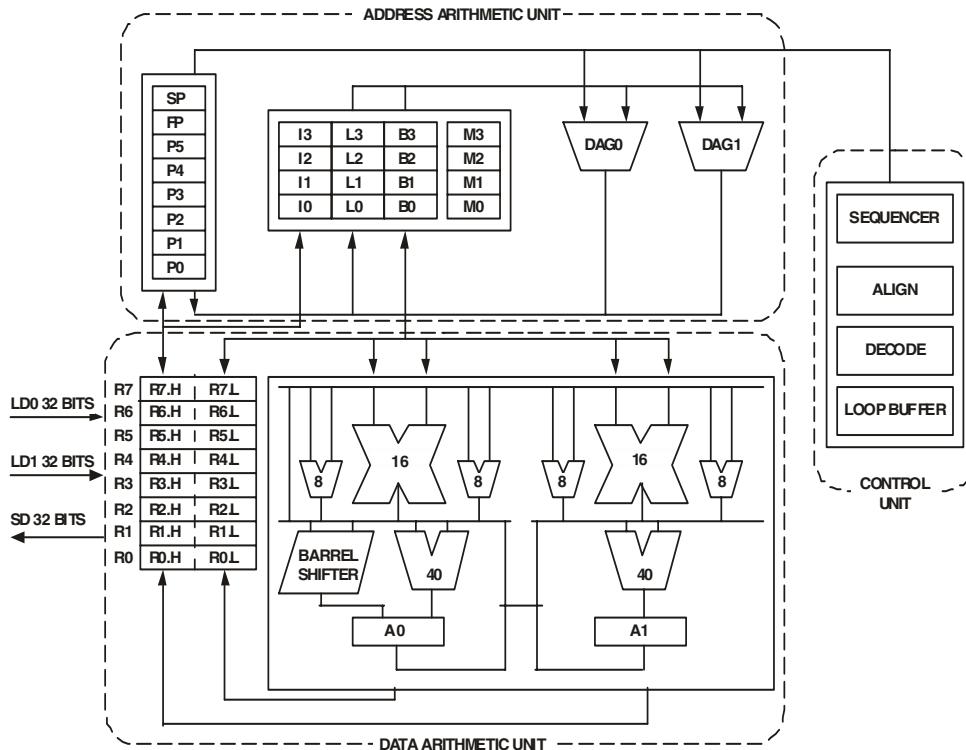


Figure 2. Blackfin Processor Core

Blackfin processors support a modified Harvard architecture in combination with a hierarchical memory structure. Level 1 (L1) memories are those that typically operate at the full processor speed with little or no latency. At the L1 level, the instruction memory holds instructions only. The two data memories hold data, and a dedicated scratchpad data memory stores stack and local variable information.

In addition, multiple L1 memory blocks are provided, offering a configurable mix of SRAM and cache. The Memory Management Unit (MMU) provides memory protection for individual tasks that may be operating on the core and can protect system registers from unintended access.

The architecture provides three modes of operation: User mode, Supervisor mode, and Emulation mode. User mode has restricted access to certain system resources, thus providing a protected software environment, while supervisor mode has unrestricted access to the system and core resources.

The Blackfin processor instruction set has been optimized so that 16-bit opcodes represent the most frequently used instructions, resulting in excellent compiled code density. Complex DSP instructions are encoded into 32-bit opcodes, representing fully featured multifunction instructions. Blackfin processors support a limited multi-issue capability, where a 32-bit instruction can be issued in parallel with two 16-bit instructions, allowing the programmer to use many of the core resources in a single instruction cycle.

The Blackfin processor assembly language uses an algebraic syntax for ease of coding and readability. The architecture has been optimized for use in conjunction with the C/C++ compiler, resulting in fast and efficient software implementations.

MEMORY ARCHITECTURE

The ADSP-BF538/ADSP-BF538F processors view memory as a single unified 4 Gbyte address space, using 32-bit addresses. All resources, including internal memory, external memory, and I/O control registers, occupy separate sections of this common address space. The memory portions of this address space are arranged in a hierarchical structure to provide a good cost/performance balance of some very fast, low latency on-chip memory as cache or SRAM, and larger, lower cost and performance off-chip memory systems. See Figure 3.

The L1 memory system is the primary highest performance memory available to the Blackfin processor. The off-chip memory system, accessed through the External Bus Interface Unit (EBIU), provides expansion with SDRAM, flash memory, and SRAM, optionally accessing up to 132 Mbytes of physical memory.

The memory DMA controllers provide high bandwidth data movement capability. They can perform block transfers of code or data between the internal memory and the external memory spaces.

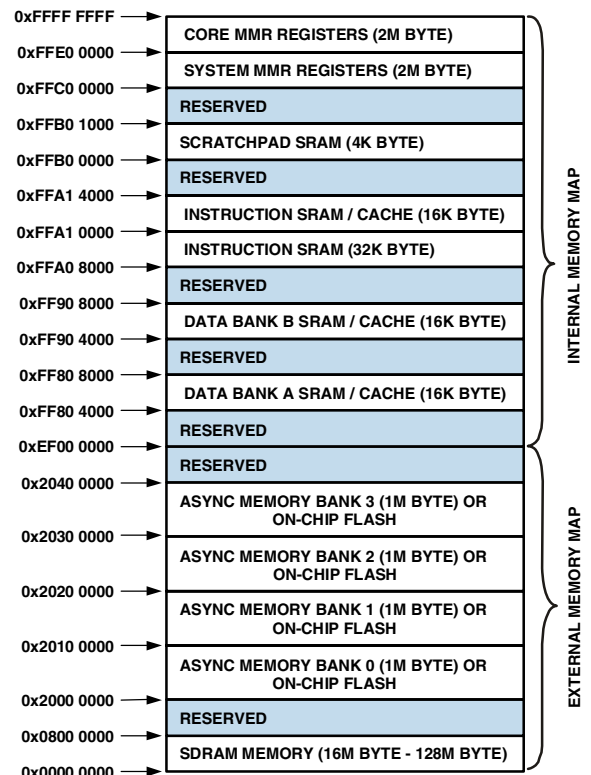


Figure 3. ADSP-BF538/ADSP-BF538F Internal/External Memory Map

Internal (On-chip) Memory

The ADSP-BF538/ADSP-BF538F processors have three blocks of on-chip memory providing high bandwidth access to the core.

The first is the L1 instruction memory, consisting of 80 Kbytes SRAM, of which 16 Kbytes can be configured as a four way set-associative cache. This memory is accessed at full processor speed.

The second on-chip memory block is the L1 data memory, consisting of two banks of up to 32 Kbytes each. Each memory bank is configurable, offering both two-way set-associative cache and SRAM functionality. This memory block is accessed at full processor speed.

The third memory block is a 4K byte scratchpad SRAM which runs at the same speed as the L1 memories, but is only accessible as data SRAM and cannot be configured as cache memory.

External (Off-Chip) Memory

External memory is accessed via the EBIU. This 16-bit interface provides a glueless connection to a bank of synchronous DRAM (SDRAM) as well as up to four banks of asynchronous memory devices including flash, EPROM, ROM, SRAM, and memory mapped I/O devices.

The PC133-compliant SDRAM controller can be programmed to interface to up to 128 Mbytes of SDRAM. The SDRAM controller allows one row to be open for each internal SDRAM bank, for up to four internal SDRAM banks, improving overall system performance.

The asynchronous memory controller can be programmed to control up to four banks of devices with very flexible timing parameters for a wide variety of devices. Each bank occupies a 1 Mbyte segment regardless of the size of the devices used, so that these banks will only be contiguous if each is fully populated with 1 Mbyte of memory.

Flash Memory

The ADSP-BF538F4 and ADSP-BF538F8 processors contain a separate flash die, connected to the EBIU bus, within the package of the processors. [Figure 4 on Page 6](#) shows how the flash memory die and Blackfin processor die are connected.

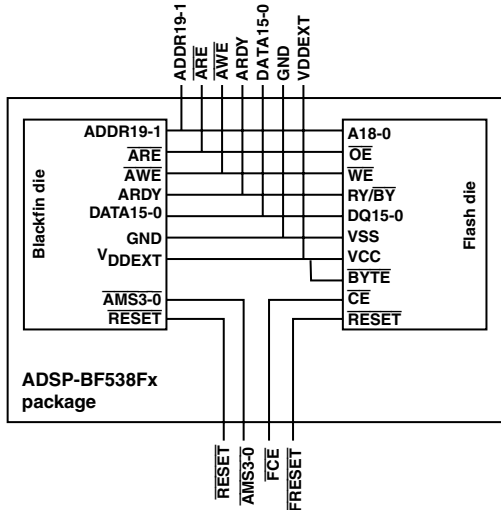


Figure 4. Internal Connection of Flash Memory (ADSP-BF538Fx)

The ADSP-BF538F4 contains a 512 Kbits bottom boot sector flash memory. The ADSP-BF538F8 contains a 1 Mbit bottom boot sector flash memory. Features include the following.

- access times as fast as 70 ns (EBIU registers must be set appropriately)
- sector protection
- one million write cycles per sector
- 20 year data retention

The Blackfin processor connects to the flash memory die with address, data, chip enable, write enable, and output enable controls as if it were an external memory device.

The flash chip enable pin \overline{FCE} must be connected to $\overline{AMS0}$ or $\overline{AMS3-I}$ through a printed circuit board trace. When connected to $\overline{AMS0}$ the Blackfin processor can boot from the flash die.

When connected to $\overline{AMS3-I}$ the flash memory will appear as non-volatile memory in the processor memory map shown in [Figure 3 on Page 5](#).

Flash Memory Programming

The ADSP-BF538F4 and ADSP-BF538F8 flash memory may be programmed before or after mounting on the printed circuit board.

To program the flash prior to mounting on the printed circuit board, use a hardware programming tool that can provide the data, address, and control stimuli to the flash die through the external pins on the package. During this programming, V_{DDEXT} and GND must be provided to the package and the Blackfin must be held in reset with bus request (\overline{BR}) asserted and a CLKIN provided.

The VisualDSP++[®] tools may be used to program the flash memory after the device is mounted on a printed circuit board.

Flash Memory Sector Protection

To use the sector protection feature, a high voltage (+12 V nominal) must be applied to the flash \overline{FRESET} pin. Refer to the flash datasheet for details.

I/O Memory Space

Blackfin processors do not define a separate I/O space. All resources are mapped through the flat 32-bit address space. On-chip I/O devices have their control registers mapped into memory mapped registers (MMRs) at addresses near the top of the 4 Gbyte address space. These are separated into two smaller blocks, one which contains the control MMRs for all core functions, and the other which contains the registers needed for setup and control of the on-chip peripherals outside of the core. The MMRs are accessible only in supervisor mode and appear as reserved space to on-chip peripherals.

Booting

The ADSP-BF538/ADSP-BF538F processors contain a small boot kernel, which configures the appropriate peripheral for booting. If the processors are configured to boot from boot ROM memory space, the processors start executing from the on-chip boot ROM. For more information, see [Booting Modes on Page 15](#).

Event Handling

The event controller on the ADSP-BF538/ADSP-BF538F processors handle all asynchronous and synchronous events to the processors. The processor provides event handling that supports both nesting and prioritization. Nesting allows multiple event service routines to be active simultaneously. Prioritization ensures that servicing of a higher priority event takes precedence over servicing of a lower priority event. The controller provides support for five different types of events:

- Emulation – An emulation event causes the processor to enter emulation mode, allowing command and control of the processor via the JTAG interface.
- Reset – This event resets the processor.

- Non-maskable interrupt (NMI) – The NMI event can be generated by the software watchdog timer or by the NMI input signal to the processor. The NMI event is frequently used as a power-down indicator to initiate an orderly shut-down of the system.
- Exceptions – Events that occur synchronously to program flow (the exception are taken before the instruction is allowed to complete). Conditions such as data alignment violations and undefined instructions cause exceptions.
- Interrupts – Events that occur asynchronously to program flow. They are caused by input pins, timers, and other peripherals, as well as by an explicit software instruction.

Each event type has an associated register to hold the return address and an associated return-from-event instruction. When an event is triggered, the state of the processors are saved on the supervisor stack.

The ADSP-BF538/ADSP-BF538F processor’s event controllers consist of two stages, the core event controller (CEC) and the system interrupt controller (SIC). The core event controller works with the system interrupt controller to prioritize and control all system events. Conceptually, interrupts from the peripherals enter into the SIC, and are then routed directly into the general-purpose interrupts of the CEC.

Core Event Controller (CEC)

Table 2. Core Event Controller (CEC)

Priority (0 is Highest)	Event Class	EVT Entry
0	Emulation/Test Control	EMU
1	Reset	RST
2	Non-Maskable Interrupt	NMI
3	Exception	EVX
4	Reserved	—
5	Hardware Error	IVHW
6	Core Timer	IVTMR
7	General Interrupt 7	IVG7
8	General Interrupt 8	IVG8
9	General Interrupt 9	IVG9
10	General Interrupt 10	IVG10
11	General Interrupt 11	IVG11
12	General Interrupt 12	IVG12
13	General Interrupt 13	IVG13
14	General Interrupt 14	IVG14
15	General Interrupt 15	IVG15

The CEC supports nine general-purpose interrupts (IVG15–7), in addition to the dedicated interrupt and exception events. Of these general-purpose interrupts, the two lowest priority interrupts (IVG15–14) are recommended to be reserved for software interrupt handlers, leaving seven prioritized interrupt inputs to

support the peripherals of the processor. Table 2 describes the inputs to the CEC, identifies their names in the event vector table (EVT), and lists their priorities.

System Interrupt Controllers (SIC)

The system interrupt controllers (SIC0, SIC1) provide the mapping and routing of events from the many peripheral interrupt sources to the prioritized general-purpose interrupt inputs of the CEC. Although the ADSP-BF538/ADSP-BF538F processors provide a default mapping, the user can alter the mappings and priorities of interrupt events by writing the appropriate values into the interrupt assignment registers (IAR). Table 3 describes the inputs into the SICs and the default mappings into the CEC.

Table 3. System and Core Event Mapping

Event Source	Core Event Name
PLL Wakeup Interrupt	IVG7
DMA Controller 0 Error	IVG7
DMA Controller 1 Error	IVG7
PPI Error Interrupt	IVG7
SPORT0 Error Interrupt	IVG7
SPORT1 Error Interrupt	IVG7
SPORT2 Error Interrupt	IVG7
SPORT3 Error Interrupt	IVG7
SPI0 Error Interrupt	IVG7
SPI1 Error Interrupt	IVG7
SPI2 Error Interrupt	IVG7
UART0 Error Interrupt	IVG7
UART1 Error Interrupt	IVG7
UART2 Error Interrupt	IVG7
CAN Error Interrupt	IVG7
Real Time Clock Interrupts	IVG8
DMA0 Interrupt (PPI)	IVG8
DMA1 Interrupt (SPORT0 RX)	IVG9
DMA2 Interrupt (SPORT0 TX)	IVG9
DMA3 Interrupt (SPORT1 RX)	IVG9
DMA4 Interrupt (SPORT1 TX)	IVG9
DMA8 Interrupt (SPORT2 RX)	IVG9
DMA9 Interrupt (SPORT2 TX)	IVG9
DMA10 Interrupt (SPORT3 RX)	IVG9
DMA11 Interrupt (SPORT3 TX)	IVG9
DMA5 Interrupt (SPI0)	IVG10
DMA14 Interrupt (SPI1)	IVG10
DMA15 Interrupt (SPI2)	IVG10
DMA6 Interrupt (UART0 RX)	IVG10
DMA7 Interrupt (UART0 TX)	IVG10
DMA16 Interrupt (UART1 RX)	IVG10
DMA17 Interrupt (UART1 TX)	IVG10

Table 3. System and Core Event Mapping (Continued)

Event Source	Core Event Name
DMA18 Interrupt (UART2 RX)	IVG10
DMA19 Interrupt (UART2 TX)	IVG10
Timer0, Timer1, Timer2 Interrupts	IVG11
TWI0 Interrupt	IVG11
TWI1 Interrupt	IVG11
CAN Receive Interrupt	IVG11
CAN Transmit Interrupt	IVG11
Port F GPIO Interrupts A and B	IVG12
MDMA0 Stream 0 Interrupt	IVG13
MDMA0 Stream 1 Interrupt	IVG13
MDMA1 Stream 0 Interrupt	IVG13
MDMA1 Stream 1 Interrupt	IVG13
Software Watchdog Timer	IVG13

Event Control

The ADSP-BF538/ADSP-BF538F processors provide the user with a very flexible mechanism to control the processing of events. In the CEC, three registers are used to coordinate and control events. Each register is 16 bits wide:

- CEC interrupt latch register (ILAT) – The ILAT register indicates when events have been latched. The appropriate bit is set when the processor has latched the event and cleared when the event has been accepted into the system. This register is updated automatically by the controller, but it may also be written to clear (cancel) latched events. This register may be read while in supervisor mode and may only be written while in supervisor mode when the corresponding IMASK bit is cleared.
- CEC interrupt mask register (IMASK) – The IMASK register controls the masking and unmasking of individual events. When a bit is set in the IMASK register, that event is unmasked and will be processed by the CEC when asserted. A cleared bit in the IMASK register masks the event, preventing the processor from servicing the event even though the event may be latched in the ILAT register. This register may be read or written while in supervisor mode. (Note that general-purpose interrupts can be globally enabled and disabled with the STI and CLI instructions, respectively.)
- CEC interrupt pending register (IPEND) – The IPEND register keeps track of all nested events. A set bit in the IPEND register indicates the event is currently active or nested at some level. This register is updated automatically by the controller but may be read while in supervisor mode.

The SIC allows further control of event processing by providing three 32-bit interrupt control and status registers. Each register contains a bit corresponding to each of the peripheral interrupt events shown in [Table 3 on Page 7](#).

- SIC interrupt mask registers (SIC_IMASKx)– These registers control the masking and unmasking of each peripheral interrupt event. When a bit is set in these registers, that peripheral event is unmasked and will be processed by the system when asserted. A cleared bit in these registers masks the peripheral event, preventing the processor from servicing the event.
- SIC interrupt status registers (SIC_ISRx) – As multiple peripherals can be mapped to a single event, these registers allow the software to determine which peripheral event source triggered the interrupt. A set bit indicates the peripheral is asserting the interrupt, and a cleared bit indicates the peripheral is not asserting the event.
- SIC interrupt wakeup enable registers (SIC_IWRx) – By enabling the corresponding bit in these registers, a peripheral can be configured to wake up the processor, should the core be idled when the event is generated. (For more information, see [Dynamic Power Management on Page 12](#).)

Because multiple interrupt sources can map to a single general-purpose interrupt, multiple pulse assertions can occur simultaneously, before or during interrupt processing for an interrupt event already detected on this interrupt input. The IPEND register contents are monitored by the SIC as the interrupt acknowledgement.

The appropriate ILAT register bit is set when an interrupt rising edge is detected (detection requires two core clock cycles). The bit is cleared when the respective IPEND register bit is set. The IPEND bit indicates that the event has entered into the processor pipeline. At this point the CEC will recognize and queue the next rising edge event on the corresponding event input. The minimum latency from the rising edge transition of the general-purpose interrupt to the IPEND output asserted is three core clock cycles; however, the latency can be much higher, depending on the activity within and the state of the processor.

DMA CONTROLLERS

The ADSP-BF538/ADSP-BF538F processors have multiple, independent DMA controllers that support automated data transfers with minimal overhead for the processor core. DMA transfers can occur between the processor internal memories and any of its DMA capable peripherals. Additionally, DMA transfers can be accomplished between any of the DMA capable peripherals and external devices connected to the external memory interfaces, including the SDRAM controller and the asynchronous memory controller. DMA capable peripherals include the SPORTs, SPI port, UART, and PPI. Each individual DMA capable peripheral has at least one dedicated DMA channel.

The DMA controllers support both 1-dimensional (1D) and 2-dimensional (2D) DMA transfers. DMA transfer initialization can be implemented from registers or from sets of parameters called descriptor blocks.

The 2D DMA capability supports arbitrary row and column sizes up to 64K elements by 64K elements, and arbitrary row and column step sizes up to ±32K elements. Furthermore, the column step size can be less than the row step size, allowing

implementation of interleaved data streams. This feature is especially useful in video applications where data can be de-interleaved on the fly.

Examples of DMA types supported by the processor DMA controller include:

- A single, linear buffer that stops upon completion
- A circular, auto-refreshing buffer that interrupts on each full or fractionally full buffer
- 1-D or 2-D DMA using a linked list of descriptors
- 2-D DMA using an array of descriptors, specifying only the base DMA address within a common page

In addition to the dedicated peripheral DMA channels, there are four memory DMA channels provided for transfers between the various memories of the ADSP-BF538/ADSP-BF538F processor's systems. This enables transfers of blocks of data between any of the memories—including external SDRAM, ROM, SRAM, and flash memory—with minimal processor intervention. Memory DMA transfers can be controlled by a very flexible descriptor based methodology or by a standard register based autobuffer mechanism.

REAL TIME CLOCK

The ADSP-BF538/ADSP-BF538F processor's real time clock (RTC) provides a robust set of digital watch features, including current time, stopwatch, and alarm. The RTC is clocked by a 32.768 KHz crystal external to the processor. The RTC peripheral has dedicated power supply pins so that it can remain powered up and clocked even when the rest of the processors are in a low power state. The RTC provides several programmable interrupt options, including interrupt per second, minute, hour, or day clock ticks, interrupt on programmable stopwatch countdown, or interrupt at a programmed alarm time.

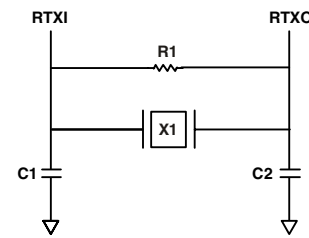
The 32.768 KHz input clock frequency is divided down to a 1 Hz signal by a prescaler. The counter function of the timer consists of four counters: a 60 second counter, a 60 minute counter, a 24 hour counter, and an 32,768 day counter.

When enabled, the alarm function generates an interrupt when the output of the timer matches the programmed value in the alarm control register. There are two alarms: The first alarm is for a time of day. The second alarm is for a day and time of that day.

The stopwatch function counts down from a programmed value, with one second resolution. When the stopwatch is enabled and the counter underflows, an interrupt is generated.

Like the other peripherals, the RTC can wake up the ADSP-BF538/ADSP-BF538F processor from sleep mode upon generation of any RTC wakeup event. Additionally, an RTC wakeup event can wake up the processor from deep sleep mode, and wake up the on-chip internal voltage regulator from a powered down state.

Connect RTC pins RTXI and RTXO with external components as shown in [Figure 5](#).



SUGGESTED COMPONENTS:
 ECLIPTEK EC38J (THROUGH-HOLE PACKAGE)
 EPSON MC405 12 PF LOAD (SURFACE MOUNT PACKAGE)
 C1 = 22 PF
 C2 = 22 PF
 R1 = 10M OHM

NOTE: C1 AND C2 ARE SPECIFIC TO CRYSTAL SPECIFIED FOR X1. CONTACT CRYSTAL MANUFACTURER FOR DETAILS. C1 AND C2 SPECIFICATIONS ASSUME BOARD TRACE CAPACITANCE OF 3 PF.

Figure 5. External Components for RTC

WATCHDOG TIMER

The ADSP-BF538/ADSP-BF538F processors include a 32-bit timer that can be used to implement a software watchdog function. A software watchdog can improve system availability by forcing the processor to a known state through generation of a hardware reset, non-maskable interrupt (NMI), or general-purpose interrupt, if the timer expires before being reset by software. The programmer initializes the count value of the timer, enables the appropriate interrupt, then enables the timer. Thereafter, the software must reload the counter before it counts to zero from the programmed value. This protects the system from remaining in an unknown state where software, which would normally reset the timer, has stopped running due to an external noise condition or software error.

If configured to generate a hardware reset, the watchdog timer resets both the core and the processor peripherals. After a reset, software can determine if the watchdog was the source of the hardware reset by interrogating a status bit in the watchdog timer control register.

The timer is clocked by the system clock (SCLK), at a maximum frequency of f_{SCLK} .

TIMERS

There are four general-purpose programmable timer units in the ADSP-BF538/ADSP-BF538F processors. Three timers have an external pin that can be configured either as a pulse width modulator (PWM) or timer output, as an input to clock the timer, or as a mechanism for measuring pulse widths and periods of external events. These timers can be synchronized to an external clock input to the PF1 pin, an external clock input to the PPI_CLK pin, or to the internal SCLK.

The timer units can be used in conjunction with the UART to measure the width of the pulses in the data stream to provide an auto-baud detect function for a serial channel.

The timers can generate interrupts to the processor core providing periodic events for synchronization, either to the system clock or to a count of external signals.

In addition to the three general-purpose programmable timers, a fourth timer is also provided. This extra timer is clocked by the internal processor clock and is typically used as a system tick clock for generation of operating system periodic interrupts.

SERIAL PORTS (SPORTs)

The ADSP-BF538/ADSP-BF538F processors incorporate four dual-channel synchronous serial ports for serial and multiprocessor communications. The SPORTs support the following features:

- I²S capable operation.
- Bidirectional operation – Each SPORT has two sets of independent transmit and receive pins, enabling eight channels of I²S stereo audio.
- Buffered (8-deep) transmit and receive ports – Each port has a data register for transferring data words to and from other processor components and shift registers for shifting data in and out of the data registers.
- Clocking – Each transmit and receive port can either use an external serial clock or generate its own, in frequencies ranging from ($f_{SCLK}/131,070$) Hz to ($f_{SCLK}/2$) Hz.
- Word length – Each SPORT supports serial data words from 3 to 32 bits in length, transferred most significant bit first or least significant bit first.
- Framing – Each transmit and receive port can run with or without frame sync signals for each data word. Frame sync signals can be generated internally or externally, active high or low, and with either of two pulsewidths and early or late frame sync.
- Companding in hardware – Each SPORT can perform A-law or μ -law companding according to ITU recommendation G.711. Companding can be selected on the transmit and/or receive channel of the SPORT without additional latencies.
- DMA operations with single-cycle overhead – Each SPORT can automatically receive and transmit multiple buffers of memory data. The processor can link or chain sequences of DMA transfers between a SPORT and memory.
- Interrupts – Each transmit and receive port generates an interrupt upon completing the transfer of a data word or after transferring an entire data buffer or buffers through DMA.
- Multichannel capability – Each SPORT supports 128 channels out of a 1024 channel window and is compatible with the H.100, H.110, MVIP-90, and HMVIP standards.

SERIAL PERIPHERAL INTERFACE (SPI) PORTS

The ADSP-BF538/ADSP-BF538F processors incorporate three SPI compatible ports that enable the processor to communicate with multiple SPI compatible devices.

The SPI interface uses three pins for transferring data: two data pins (master output-slave input, MOSIx, and master input-slave output, MISOx) and a clock pin (serial clock, SCKx). An SPI chip select input pin (SPIxSS) lets other SPI devices select the

processor. For SPI0, seven SPI chip select output pins (SPI0SEL7–1) let the processor select other SPI devices. The SPI select pins are reconfigured GPIO pins. SPI1 and SPI2 have a single SPI select for SPI point-to-point communication. Using these pins, the SPI ports provide a full-duplex, synchronous serial interface, which supports both master/slave modes and multimaster environments.

The SPI ports' baud rate and clock phase/polarities are programmable, and it has an integrated DMA controller, configurable to support transmit or receive data streams. Each SPI's DMA controller can only service unidirectional accesses at any given time.

The SPI port's clock rate is calculated as:

$$SPI\ Clock\ Rate = \frac{f_{SCLK}}{2 \times SPIx_BAUD}$$

Where the 16-bit SPIx_BAUD register contains a value of 2 to 65,535.

During transfers, the SPI port simultaneously transmits and receives by serially shifting data in and out on its two serial data lines. The serial clock line synchronizes the shifting and sampling of data on the two serial data lines.

TWO WIRE INTERFACE

The ADSP-BF538/ADSP-BF538F processors have 2 two wire interface (TWI) modules that are compatible with the Philips Inter-IC bus standard. The TWI modules offer the capabilities of simultaneous master and slave operation, support for 7-bit addressing and multimedia data arbitration. The TWI also includes master clock synchronization and support for clock low extension.

The TWI interface uses two pins for transferring clock (SCLx) and data (SDAx) and supports the protocol at speeds up to 400 kbits/sec.

The TWI interface pins are compatible with 5V logic levels.

UART PORTS

The ADSP-BF538/ADSP-BF538F processors incorporate three full-duplex Universal Asynchronous Receiver/Transmitter (UART) ports, which are fully compatible with PC standard UARTs. The UART ports provide a simplified UART interface to other peripherals or hosts, supporting full-duplex, DMA supported, asynchronous transfers of serial data. The UART ports include support for 5 to 8 data bits, 1 or 2 stop bits, and none, even, or odd parity. The UART ports support two modes of operation:

- PIO (programmed I/O) – The processor sends or receives data by writing or reading I/O mapped UART registers. The data is double buffered on both transmit and receive.
- DMA (direct memory access) – The DMA controller transfers both transmit and receive data. This reduces the number and frequency of interrupts required to transfer data to and from memory. Each UART has two dedicated

DMA channels, one for transmit and one for receive. These DMA channels have lower default priority than most DMA channels because of their relatively low service rates.

The UART port's baud rate, serial data format, error code generation and status, and interrupts are programmable:

- Supporting bit rates ranging from $(f_{CLK}/1,048,576)$ to $(f_{CLK}/16)$ bits per second.
- Supporting data formats from 7 to 12 bits per frame.
- Both transmit and receive operations can be configured to generate maskable interrupts to the processor.

The UART port's clock rate is calculated as:

$$UART\ Clock\ Rate = \frac{f_{CLK}}{16 \times UART_Divisor}$$

Where the 16-bit UART_Divisor comes from the UARTx_DLH register (most significant 8 bits) and UARTx_DLL register (least significant 8 bits).

In conjunction with the general-purpose timer functions, auto-baud detection is supported.

The capabilities of the UARTs are further extended with support for the Infrared Data Association (IrDA[®]) Serial Infrared Physical Layer Link Specification (SIR) protocol.

GENERAL-PURPOSE PORTS

The ADSP-BF538/ADSP-BF538F processors have up to 54 general-purpose I/O pins that are multiplexed with other peripherals. They are arranged into ports C, D, E, and F as shown in Table 4.

The general-purpose I/O pins may be individually controlled by manipulation of the control and status registers. These pins may be polled to determine their status.

- GPIO direction control register – Specifies the direction of each individual GPIOx pin as input or output.
- GPIO control and status registers – The processor employs a “write one to modify” mechanism that allows any combination of individual GPIO to be modified in a single instruction, without affecting the level of any other GPIO. Four control registers and a data register are provided for each GPIO port. One register is written in order to set GPIO values, one register is written in order to clear GPIO values, one register is written in order to toggle GPIO values, and one register is written in order to specify a GPIO input or output. Reading the GPIO Data allows software to determine the state of the input GPIO pins.

In addition to the GPIO function described above, the 16 port F pins can be individually configured to generate interrupts.

- Flag interrupt mask registers – The two Flag interrupt mask registers allow each individual PFX pin to function as an interrupt to the processor. similar to the two flag control registers that are used to set and clear individual flag values, one flag interrupt mask register sets bits to enable interrupt function, and the other flag interrupt mask register clears bits to disable interrupt function. PFX pins defined as

inputs can be configured to generate hardware interrupts, while output PFX pins can be triggered by software interrupts.

- Flag interrupt sensitivity registers – The two flag interrupt sensitivity registers specify whether individual PFX pins are level- or edge-sensitive and specify—if edge-sensitive—whether just the rising edge or both the rising and falling edges of the signal are significant. One register selects the type of sensitivity, and one register selects which edges are significant for edge-sensitivity.

Table 4. GPIO Ports

Peripheral	Alternate GPIO Port Function
PPI	GPIO Port F15–0
SPORT2	GPIO Port E7–0
SPORT3	GPIO Port E15–8
SPI1	GPIO Port D4–0
SPI2	GPIO Port D9–5
UART1	GPIO Port D11–10
UART2	GPIO Port D13–12
CAN	GPIO Port C1–0
GPIO	GPIO Port C9–4

PARALLEL PERIPHERAL INTERFACE

The ADSP-BF538/ADSP-BF538F processors provide a parallel peripheral interface (PPI) that can connect directly to parallel A/D and D/A converters, video encoders and decoders, and other general-purpose peripherals. The PPI consists of a dedicated input clock pin, up to 3 frame synchronization pins, and at up to 16 data pins. The input clock supports parallel data rates at up to $f_{CLK}/2$ MHz, and the synchronization signals can be configured as either inputs or outputs.

The PPI supports a variety of general-purpose and ITU-R 656 modes of operation. In general-purpose mode, the PPI provides half-duplex, bi-directional data transfer with up to 16 bits of data. Up to 3 frame synchronization signals are also provided. In ITU-R 656 mode, the PPI provides half-duplex, bi-directional transfer of 8- or 10-bit video data. Additionally, on-chip decode of embedded start-of-line (SOL) and start-of-field (SOF) preamble packets is supported.

General-Purpose Mode Descriptions

The general-purpose modes of the PPI are intended to suit a wide variety of data capture and transmission applications. Three distinct submodes are supported:

- Input mode – frame syncs and data are inputs into the PPI.
- Frame capture mode – frame syncs are outputs from the PPI, but data are inputs.
- Output mode – frame syncs and data are outputs from the PPI.

Input Mode

Input mode is intended for ADC applications, as well as video communication with hardware signaling. In its simplest form, PPI_FS1 is an external frame sync input that controls when to read data. The PPI_DELAY MMR allows for a delay (in PPI_CLK cycles) between reception of this frame sync and the initiation of data reads. The number of input data samples is user programmable and defined by the contents of the PPI_Count register. Data widths of 8-bits, and 10-bits through 16-bits are supported, and are programmed using the PPI_CONTROL register.

Frame Capture Mode

Frame capture mode allows the video source(s) to act as a slave (e.g., for frame capture). The ADSP-BF538/ADSP-BF538F processors control when to read from the video source(s). PPI_FS1 is an HSYNC output and PPI_FS2 is a VSYNC output.

Output Mode

Output mode is used for transmitting video or other data with up to three output frame syncs. Typically, a single frame sync is appropriate for data converter applications, whereas two or three frame syncs could be used for sending video with hardware signaling.

ITU-R 656 Mode Descriptions

The ITU-R 656 modes of the PPI are intended to suit a wide variety of video capture, processing, and transmission applications. Three distinct submodes are supported:

- Active video only mode
- Vertical blanking only mode
- Entire field mode

Active Video Only Mode

Active video only mode is used when only the active video portion of a field is of interest and not any of the blanking intervals. The PPI does not read in any data between the end of active video (EAV) and start of active video (SAV) preamble symbols, or any data present during the vertical blanking intervals. In this mode, the control byte sequences are not stored to memory; they are filtered by the PPI. After synchronizing to the start of Field 1, the PPI ignores incoming samples until it sees an SAV code. The user specifies the number of active video lines per frame (in PPI_Count register).

Vertical Blanking Interval Mode

In this mode, the PPI only transfers vertical blanking interval (VBI) data.

Entire Field Mode

In this mode, the entire incoming bit stream is read in through the PPI. This includes active video, control preamble sequences, and ancillary data that may be embedded in horizontal and vertical blanking intervals. Data transfer starts immediately after synchronization to Field 1. Data is transferred to or from the synchronous channels through eight DMA engines that work autonomously from the processor core.

CONTROLLER AREA NETWORK (CAN) INTERFACE

The ADSP-BF538/ADSP-BF538F processors provide a CAN controller that is a communication controller implementing the Controller Area Network (CAN) V2.0B protocol. This protocol is an asynchronous communications protocol used in both industrial and automotive control systems. CAN is well suited for control applications due to its capability to communicate reliably over a network since the protocol incorporates CRC checking message error tracking, and fault node confinement.

The CAN controller is based on a 32 entry mailbox RAM and supports both the standard and extended identifier (ID) message formats specified in the CAN protocol specification, revision 2.0, part B.

Each mailbox consists of eight 16-bit data words. The data is divided into fields, which includes a message identifier, a time stamp, a byte count, up to 8 bytes of data, and several control bits. Each node monitors the messages being passed on the network. If the identifier in the transmitted message matches an identifier in one of its mailboxes, then the module knows that the message was meant for it, passes the data into its appropriate mailbox, and signals the processor of message arrival with an interrupt.

The CAN controller can wake up the processor from sleep mode upon generation of a wakeup event, such that the processor can be maintained in a low power mode during idle conditions. Additionally, a CAN wakeup event can wake up the processor from deep sleep, and wake up the on-chip internal voltage regulator from a powered-down state.

The electrical characteristics of each network connection are very stringent, therefore the CAN interface is typically divided into 2 parts: a controller and a transceiver. This allows a single controller to support different drivers and CAN networks. The ADSP-BF538/ADSP-BF538F CAN module represents the controller part of the interface. This module's network I/O is a single transmit output and a single receive input, which connect to a line transceiver.

The CAN clock is derived from the processor system clock (SCLK) through a programmable divider and therefore does not require an additional crystal.

DYNAMIC POWER MANAGEMENT

The ADSP-BF538/ADSP-BF538F processors provide five operating modes, each with a different performance/power profile. In addition, dynamic power management provides the control functions to dynamically alter the processor core supply voltage, further reducing power dissipation. Control of clocking to each of the processor peripherals also reduces power consumption. See [Table 5](#) for a summary of the power settings for each mode.

Full-On Operating Mode—Maximum Performance

In the full-on mode, the PLL is enabled and is not bypassed, providing capability for maximum operational frequency. This is the powerup default execution state in which maximum performance can be achieved. The processor core and all enabled peripherals run at full speed.

Active Operating Mode—Moderate Power Savings

In the active mode, the PLL is enabled but bypassed. Because the PLL is bypassed, the processor’s core clock (CCLK) and system clock (SCLK) run at the input clock (CLKIN) frequency. In this mode, the CLKIN to CCLK multiplier ratio can be changed, although the changes are not realized until the full-on mode is entered. DMA access is available to appropriately configured L1 memories.

In the active mode, it is possible to disable the PLL through the PLL Control register (PLL_CTL). If disabled, the PLL must be re-enabled before transitioning to the Full-On or Sleep modes.

Table 5. Power Settings

Mode	PLL	PLL Bypassed	Core Clock (CCLK)	System Clock (SCLK)	Core Power
Full On	Enabled	No	Enabled	Enabled	On
Active	Enabled/Disabled	Yes	Enabled	Enabled	On
Sleep	Enabled		Disabled	Enabled	On
Deep Sleep	Disabled		Disabled	Disabled	On
Hibernate	Disabled		Disabled	Disabled	Off

Sleep Operating Mode—High Dynamic Power Savings

The sleep mode reduces dynamic power dissipation by disabling the clock to the processor core (CCLK). The PLL and system clock (SCLK), however, continue to operate in this mode. Typically an external event or RTC activity will wake up the processor. When in the Sleep mode, assertion of wakeup causes the processor to sense the value of the BYPASS bit in the PLL control register (PLL_CTL). If BYPASS is disabled, the processor transitions to the full on mode. If BYPASS is enabled, the processor will transition to the Active mode. When in the sleep mode, system DMA access to L1 memory is not supported.

Deep Sleep Operating Mode—Maximum Dynamic Power Savings

The deep sleep mode maximizes dynamic power savings by disabling the clocks to the processor core (CCLK) and to all synchronous peripherals (SCLK). Asynchronous peripherals such as the RTC may still be running, but will not be able to access internal resources or external memory. This powered down mode can only be exited by assertion of the reset interrupt (RESET) or by an asynchronous interrupt generated by the RTC. When in deep sleep mode, an RTC asynchronous interrupt causes the processor to transition to the active mode. Assertion of RESET while in deep sleep mode causes the processor to transition to the Full On mode.

Hibernate Operating Mode—Maximum Static Power Savings

The hibernate mode maximizes static power savings by disabling the voltage and clocks to the processor core (CCLK) and to all the synchronous peripherals (SCLK). The internal voltage regulator for the processor can be shut off by writing b#00 to the

FREQ bits of the VR_CTL register. This disables both CCLK and SCLK. Furthermore, it sets the internal power supply voltage (V_{DDINT}) to 0 V to provide the lowest static power dissipation. Any critical information stored internally (memory contents, register contents, etc.) must be written to a non-volatile storage device prior to removing power if the processor state is to be preserved. Since V_{DDEXT} is still supplied in this mode, all of the external pins three-state, unless otherwise specified. This allows other devices that may be connected to the processor to have power still applied without drawing unwanted current. The internal supply regulator can be woken up either by a real time clock wakeup, by CAN bus traffic, by asserting the RESET pin or by an external source.

Power Savings

As shown in Table 6, the ADSP-BF538/ADSP-BF538F processors support three different power domains. The use of multiple power domains maximizes flexibility, while maintaining compliance with industry standards and conventions. By isolating the internal logic of the processor into its own power domain, separate from the RTC and other I/O, the processor can take advantage of Dynamic Power Management, without affecting the RTC or other I/O devices. There are no sequencing requirements for the various power domains.

Table 6. Power Domains

Power Domain	VDD Range
RTC crystal I/O and logic	VDDRTC
All internal logic except RTC	VDDINT
All I/O except RTC	VDDEXT

The power dissipated by a processors are largely a function of the clock frequency of the processors and the square of the operating voltage. For example, reducing the clock frequency by 25% results in a 25% reduction in power dissipation, while reducing the voltage by 25% reduces power dissipation by more than 40%. Further, these power savings are additive, in that if the clock frequency and supply voltage are both reduced, the power savings can be dramatic.

The dynamic power management feature of the processor allows both the processor’s input voltage (V_{DDINT}) and clock frequency (f_{CCLK}) to be dynamically controlled.

The savings in power dissipation can be modeled using the power savings factor and % power savings calculations.

The power savings factor is calculated as:

$$\text{Power Savings Factor} = \frac{f_{CCLKRED}}{f_{CCLKNOM}} \times \left(\frac{V_{DDINTRED}}{V_{DDINTNOM}} \right)^2 \times \left(\frac{T_{RED}}{T_{NOM}} \right)$$

where the variables in the equations are:

- f_{CCLKNOM} is the nominal core clock frequency
- f_{CCLKRED} is the reduced core clock frequency
- V_{DDINTNOM} is the nominal internal supply voltage

- $V_{DDINTRED}$ is the reduced internal supply voltage
- T_{NOM} is the duration running at f_{CLKNOM}
- T_{RED} is the duration running at f_{CLKRED}

The Power Savings Factor is calculated as:

$$\% \text{ Power Savings} = (1 - \text{Power Savings Factor}) \times 100\%$$

VOLTAGE REGULATION

The Blackfin processor provides an on-chip voltage regulator that can generate processor core voltage levels 0.8 V to 1.2V (−5%/+10%) from an external 2.7 V to 3.6 V supply. Figure 6 shows the typical external components required to complete the power management system.[†] The regulator controls the internal logic voltage levels and is programmable with the voltage regulator control register (VR_CTL) in increments of 50 mV. To reduce standby power consumption, the internal voltage regulator can be programmed to remove power to the processor core while I/O power (V_{DDRTC} , V_{DDEXT}) is still supplied. While in hibernate mode, I/O power is still being applied, eliminating the need for external buffers. The voltage regulator can be activated from this power-down state either through an RTC wakeup, a CAN wakeup, a general-purpose wakeup, or by asserting $\overline{\text{RESET}}$, which will then initiate a boot sequence. The regulator can also be disabled and bypassed at the user’s discretion.

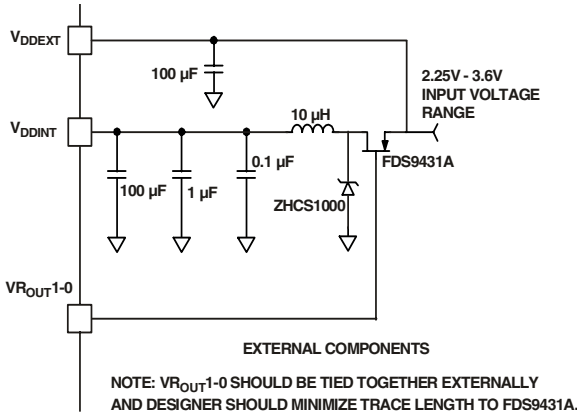


Figure 6. Voltage Regulator Circuit

CLOCK SIGNALS

The ADSP-BF538/ADSP-BF538F processors can be clocked by an external crystal, a sine wave input, or a buffered, shaped clock derived from an external clock oscillator.

If an external clock is used, it should be a TTL compatible signal and must not be halted, changed, or operated below the specified frequency during normal operation. This signal is connected to the processor’s CLKIN pin. When an external clock is used, the XTAL pin must be left unconnected.

[†] See EE-228: Switching Regulator Design Considerations for ADSP-BF533 Blackfin Processors.

Alternatively, because the ADSP-BF538/ADSP-BF538F processors include an on-chip oscillator circuit, an external crystal may be used. The crystal should be connected across the CLKIN and XTAL pins, with two capacitors connected as shown in Figure 7. Capacitor values are dependent on crystal type and should be specified by the crystal manufacturer. A parallel-resonant, fundamental frequency, microprocessor-grade crystal should be used.

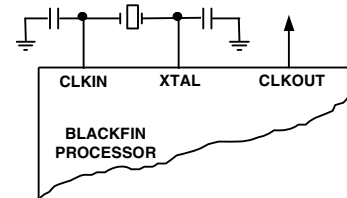


Figure 7. External Crystal Connections

As shown in Figure 8 on Page 14, the core clock (CCLK) and system peripheral clock (SCLK) are derived from the input clock (CLKIN) signal. An on-chip PLL is capable of multiplying the CLKIN signal by a user programmable 1× to 63× multiplication factor (bounded by specified minimum and maximum VCO frequencies). The default multiplier is 10×, but it can be modified by a software instruction sequence. On-the-fly frequency changes can be effected by simply writing to the PLL_DIV register.

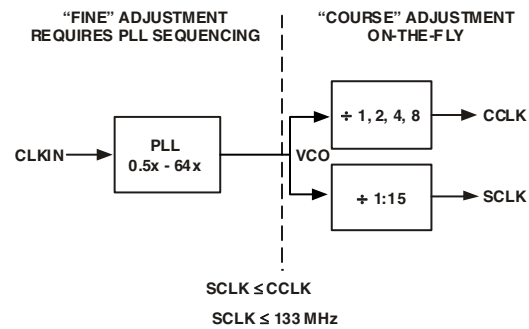


Figure 8. Frequency Modification Methods

All on-chip peripherals are clocked by the system clock (SCLK). The system clock frequency is programmable by means of the SSEL3–0 bits of the PLL_DIV register. The values programmed into the SSEL fields define a divide ratio between the PLL output (VCO) and the system clock. SCLK divider values are 1 through 15. Table 7 illustrates typical system clock ratios:

Table 7. Example System Clock Ratios

Signal Name SSEL3–0	Divider Ratio VCO/SCLK	Example Frequency Ratios (MHz)	
		VCO	SCLK
0001	1:1	100	100
0110	6:1	300	50
1010	10:1	500	50

The maximum frequency of the system clock is f_{SCLK} . Note that the divisor ratio must be chosen to limit the system clock frequency to its maximum of f_{SCLK} . The SSEL value can be changed dynamically without any PLL lock latencies by writing the appropriate values to the PLL divisor register (PLL_DIV).

Note that when the SSEL value is changed, it will affect all the peripherals that derive their clock signals from the SCLK signal.

The core clock (CCLK) frequency can also be dynamically changed by means of the CSEL1-0 bits of the PLL_DIV register. Supported CCLK divider ratios are 1, 2, 4, and 8, as shown in Table 8. This programmable core clock capability is useful for fast core frequency modifications.

Table 8. Core Clock Ratios

Signal Name CSEL1-0	Divider Ratio VCO/CCLK	Example Frequency Ratios	
		VCO	CCLK
00	1:1	300	300
01	2:1	300	150
10	4:1	500	125
11	8:1	200	25

BOOTING MODES

The ADSP-BF538/ADSP-BF538F processors have three mechanisms (listed in Table 9) for automatically loading internal L1 instruction memory after a reset. A fourth mode is provided to execute from external memory, bypassing the boot sequence.

Table 9. Booting Modes

BMODE1-0	Description
00	Execute from 16-bit external memory (bypass boot ROM)
01	Boot from 8-bit or 16-bit flash (ADSP-BF538 only) or Boot from on board flash (ADSP-BF538F only)
10	Boot from SPI serial master
11	Boot from SPI serial slave EEPROM /flash (8-, 16-, or 24-bit address range, or Atmel AT45DB041, AT45DB081, or AT45DB161 serial flash)

The BMODE pins of the reset configuration register, sampled during power-on resets and software initiated resets, implement the following modes:

- Execute from 16-bit external memory – Execution starts from address 0x2000 0000 with 16-bit packing. The boot ROM is bypassed in this mode. All configuration settings are set for the slowest device possible (3-cycle hold time; 15-cycle R/W access times; 4-cycle setup).
- Boot from 8-bit or 16-bit external flash memory – The 8-bit flash boot routine located in boot ROM memory space is set up using asynchronous memory bank 0. If FCE is connected to AMS0, then the on-chip flash is booted from the

ADSP-BF538F. All configuration settings are set for the slowest device possible (3-cycle hold time; 15-cycle R/W access times; 4-cycle setup).

- Boot from SPI serial EEPROM/flash (8-, 16-, or 24-bit addressable, or Atmel AT45DB041, AT45DB081, or AT45DB161) – The SPI uses the PF2 output pin to select a single SPI EEPROM/flash device, submits a read command and successive address bytes (0x00) until a valid 8-, 16-, or 24-bit, or Atmel addressable device is detected, and begins clocking data into the processor at the beginning of L1 instruction memory.
- Boot from SPI host device – The Blackfin processor operates in SPI slave mode and is configured to receive the bytes of the .LDR file from an SPI host (master) agent. To hold off the host device from transmitting while the boot ROM is busy, the Blackfin processor asserts a GPIO pin, called host wait (HWAIT), to signal the host device not to send any more bytes until the flag is deasserted. The flag is chosen by the user and this information is transferred to the Blackfin processor via bits 10:5 of the FLAG header.

For each of the boot modes, a 10-byte header is first read from an external memory device. The header specifies the number of bytes to be transferred and the memory destination address. Multiple memory blocks may be loaded by any boot sequence. Once all blocks are loaded, program execution commences from the start of L1 instruction SRAM.

In addition, bit 4 of the reset configuration register can be set by application code to bypass the normal boot sequence during a software reset. For this case, the processor jumps directly to the beginning of L1 instruction memory.

To augment the boot modes, a secondary software loader is provided that adds additional booting mechanisms. This secondary loader provides the capability to boot from 16-bit flash memory, fast flash, variable baud rate, and other sources. In all boot modes except bypass, program execution starts from on-chip L1 memory address 0xFFA0 0000.

INSTRUCTION SET DESCRIPTION

The Blackfin processor family assembly language instruction set employs an algebraic syntax designed for ease of coding and readability. The instructions have been specifically tuned to provide a flexible, densely encoded instruction set that compiles to a very small final memory size. The instruction set also provides fully featured multifunction instructions that allow the programmer to use many of the processor core resources in a single instruction. Coupled with many features more often seen on microcontrollers, this instruction set is very efficient when compiling C and C++ source code. In addition, the architecture supports both user (algorithm/application code) and supervisor (O/S kernel, device drivers, debuggers, ISRs) modes of operation, allowing multiple levels of access to core processor resources.

The assembly language, which takes advantage of the processor's unique architecture, offers the following advantages:

- Seamlessly integrated DSP/CPU features are optimized for both 8-bit and 16-bit operations.
- A multi-issue load/store modified Harvard architecture, which supports two 16-bit MAC or four 8-bit ALU plus two load/store plus two pointer updates per cycle.
- All registers, I/O, and memory are mapped into a unified 4 Gbyte memory space, providing a simplified programming model.
- Microcontroller features, such as arbitrary bit and bit-field manipulation, insertion, and extraction; integer operations on 8-, 16-, and 32-bit data types; and separate user and supervisor stack pointers.
- Code density enhancements, which include intermixing of 16- and 32-bit instructions (no mode switching, no code segregation). Frequently used instructions are encoded in 16 bits.

DEVELOPMENT TOOLS

The ADSP-BF538/ADSP-BF538F processors are supported with a complete set of CROSSCORE[®] software and hardware development tools, including Analog Devices emulators and VisualDSP++[®] development environment. The same emulator hardware that supports other Blackfin processors also fully emulates the ADSP-BF538/ADSP-BF538F processors.

The VisualDSP++ project management environment lets programmers develop and debug an application. This environment includes an easy to use assembler (which is based on an algebraic syntax), an archiver (librarian/library builder), a linker, a loader, a cycle-accurate instruction-level simulator, a C/C++ compiler, and a C/C++ runtime library that includes DSP and mathematical functions. A key point for these tools is C/C++ code efficiency. The compiler has been developed for efficient translation of C/C++ code to processor assembly. The processors have architectural features that improve the efficiency of compiled C/C++ code.

The VisualDSP++ debugger has a number of important features. Data visualization is enhanced by a plotting package that offers a significant level of flexibility. This graphical representation of user data enables the programmer to quickly determine the performance of an algorithm. As algorithms grow in complexity, this capability can have increasing significance on the designer's development schedule, increasing productivity. Statistical profiling enables the programmer to non intrusively poll the processors as they are running the program. This feature, unique to VisualDSP++, enables the software developer to passively gather important code execution metrics without interrupting the real time characteristics of the program. Essentially, the developer can identify bottlenecks in software quickly and efficiently. By using the profiler, the programmer can focus on those areas in the program that impact performance and take corrective action.

Debugging both C/C++ and assembly programs with the VisualDSP++ debugger, programmers can:

- View mixed C/C++ and assembly code (interleaved source and object information).
- Insert breakpoints.
- Set conditional breakpoints on registers, memory, and stacks.
- Trace instruction execution.
- Perform linear or statistical profiling of program execution.
- Fill, dump, and graphically plot the contents of memory.
- Perform source level debugging.
- Create custom debugger windows.

The VisualDSP++ IDDE lets programmers define and manage software development. Its dialog boxes and property pages let programmers configure and manage all of the Blackfin development tools, including the color syntax highlighting in the VisualDSP++ editor. This capability permits programmers to:

- Control how the development tools process inputs and generate outputs.
- Maintain a one-to-one correspondence with the tool's command line switches.

The VisualDSP++ Kernel (VDK) incorporates scheduling and resource management tailored specifically to address the memory and timing constraints of DSP programming. These capabilities enable engineers to develop code more effectively, eliminating the need to start from the very beginning, when developing new application code. The VDK features include threads, critical and unscheduled regions, semaphores, events, and device flags. The VDK also supports priority-based, pre-emptive, cooperative, and time-sliced scheduling approaches. In addition, the VDK was designed to be scalable. If the application does not use a specific feature, the support code for that feature is excluded from the target system.

Because the VDK is a library, a developer can decide whether to use it or not. The VDK is integrated into the VisualDSP++ development environment, but can also be used via standard command line tools. When the VDK is used, the development environment assists the developer with many error prone tasks and assists in managing system resources, automating the generation of various VDK based objects, and visualizing the system state, when debugging an application that uses the VDK.

Use the Expert Linker to visually manipulate the placement of code and data on the embedded system. View memory utilization in a color coded graphical form, easily move code and data to different areas of the processor or external memory with the drag of the mouse, examine run time stack and heap usage. The Expert Linker is fully compatible with existing Linker Definition File (LDF), allowing the developer to move between the graphical and textual environments.

Analog Devices emulators use the IEEE 1149.1 JTAG Test Access Port of the ADSP-BF538/ADSP-BF538F processors to monitor and control the target board processor during emulation. The emulator provides full speed emulation, allowing

inspection and modification of memory, registers, and processor stacks. Non intrusive in-circuit emulation is assured by the use of the processor's JTAG interface—the emulator does not affect target system loading or timing.

In addition to the software and hardware development tools available from Analog Devices, third parties provide a wide range of tools supporting the Blackfin processor family. Hardware tools include Blackfin processor PC plug-in cards. Third party software tools include DSP libraries, real time operating systems, and block diagram design tools.

Evaluation Kit

Analog Devices offers a range of EZ-KIT Lite[®] evaluation platforms to use as a cost effective method to learn more about developing or prototyping applications with Analog Devices processors, platforms, and software tools. Each EZ-KIT Lite includes an evaluation board along with an evaluation suite of the VisualDSP++ development and debugging environment with the C/C++ compiler, assembler, and linker. Also included are sample application programs, power supply, and a USB cable. All evaluation versions of the software tools are limited for use only with the EZ-KIT Lite product.

The USB controller on the EZ-KIT Lite board connects the board to the USB port of the user's PC, enabling the VisualDSP++ evaluation suite to emulate the on-board processor in-circuit. This permits the customer to download, execute, and debug programs for the EZ-KIT Lite system. It also allows in-circuit programming of the on-board flash device to store user-specific boot code, enabling the board to run as a stand-alone unit without being connected to the PC.

With a full version of VisualDSP++ installed (sold separately), engineers can develop software for the EZ-KIT Lite or any custom defined system. Connecting one of Analog Devices JTAG emulators to the EZ-KIT Lite board enables high-speed, non-intrusive emulation.

DESIGNING AN EMULATOR COMPATIBLE PROCESSOR BOARD

The Analog Devices family of emulators are tools that every system developer needs to test and debug hardware and software systems. Analog Devices has supplied an IEEE 1149.1 JTAG Test Access Port (TAP) on each JTAG processor. The emulator uses the TAP to access the internal features of the processor, allowing the developer to load code, set breakpoints, observe variables, observe memory, and examine registers. The processor must be halted to send data and commands, but once an operation has been completed by the emulator, the processor system is set running at full speed with no impact on system timing.

To use these emulators, the target board must include a header that connects the processor's JTAG port to the emulator.

For details on target board design issues including mechanical layout, single processor connections, multiprocessor scan chains, signal buffering, signal termination, and emulator pod logic, see *EE-68: Analog Devices JTAG Emulation Technical Ref-*

erence on the Analog Devices web site (www.analog.com)—use site search on “EE-68.” This document is updated regularly to keep pace with improvements to emulator support.

VOLTAGE REGULATOR LAYOUT GUIDELINES

Regulator external component placement, board routing, and bypass capacitors all have a significant effect on noise injected into the other analog circuits on-chip. The VROUT1-0 traces and voltage regulator external components should be considered as noise sources when doing board layout and should not be routed or placed near sensitive circuits or components on the board. All internal and I/O power supplies should be well bypassed with bypass capacitors placed as close to the ADSP-BF538/ADSP-BF538F processors as possible.

For further details on the on-chip voltage regulator and related board design guidelines, see the *EE-228: Switching Regulator Design Considerations for ADSP-BF533 Blackfin Processors* applications note on the Analog Devices web site (www.analog.com)—use site search on “EE-228.”

PIN DESCRIPTIONS

ADSP-BF538/ADSP-BF538F processor pin definitions are listed in [Table 10](#). In order to maintain maximum functionality and reduce package size and pin count, some pins have dual, multi-

plexed functionality. In cases where pin functionality is reconfigurable, the default state is shown in plain text, while alternate functionality is shown in italics.

Table 10. Pin Descriptions

Pin Name	I/O	Function	Driver Type
<i>Memory Interface</i>			
ADDR19–1	O	Address Bus for Async/Sync Access	A
DATA15–0	I/O	Data Bus for Async/Sync Access	A
$\overline{\text{ABE1}}\text{--}0/\text{SDQM1--}0$	O	Byte Enables/Data Masks for Async/Sync Access	A
$\overline{\text{BR}}$	I	Bus Request (This pin should be pulled HIGH when not used.)	
$\overline{\text{BG}}$	O	Bus Grant	A
$\overline{\text{BGH}}$	O	Bus Grant Hang	A
<i>Asynchronous Memory Control</i>			
$\overline{\text{AMS3}}\text{--}0$	O	Bank Select	A
ARDY	I	Hardware Ready Control (This pin should always be pulled LOW when not used.)	
$\overline{\text{AOE}}$	O	Output Enable	A
$\overline{\text{ARE}}$	O	Read Enable	A
$\overline{\text{AWE}}$	O	Write Enable	A
<i>Flash Control</i>			
$\overline{\text{FCE}}$	I	Flash Enable (This pin should be left unconnected if not used.)	
$\overline{\text{FRESET}}$	I	Flash Reset (This pin should be left unconnected if not used.)	
<i>Synchronous Memory Control</i>			
$\overline{\text{SRAS}}$	O	Row Address Strobe	A
$\overline{\text{SCAS}}$	O	Column Address Strobe	A
$\overline{\text{SWE}}$	O	Write Enable	A
SCKE	O	Clock Enable	A
CLKOUT	O	Clock Output	B
SA10	O	A10 Pin	A
$\overline{\text{SMS}}$	O	Bank Select	A
<i>Timers</i>			
TMR0	I/O	Timer 0	C
TMR1/PPI_FS1	I/O	Timer 1/PPI Frame Sync1	C
TMR2/PPI_FS2	I/O	Timer 2/PPI Frame Sync2	C
<i>Two Wire Interface Port</i> (These pins are open drain and require a pullup resistor. See version 2.1 of the I ² C specification for proper resistor values.)			
SDA0	I/O 5V	TWI0 Serial Data	E
SCL0	I/O 5V	TWI0 Serial Clock	E
SDA1	I/O 5V	TWI1 Serial Data	E
SCL1	I/O 5V	TWI1 Serial Clock	E

Table 10. Pin Descriptions (Continued)

Pin Name	I/O	Function	Driver Type
<i>Serial Port 0</i>			
RSCLK0	I/O	SPORT0 Receive Serial Clock	D
RFS0	I/O	SPORT0 Receive Frame Sync	C
DR0PRI	I	SPORT0 Receive Data Primary	
DR0SEC	I	SPORT0 Receive Data Secondary	
TSCLK0	I/O	SPORT0 Transmit Serial Clock	D
TFS0	I/O	SPORT0 Transmit Frame Sync	C
DT0PRI	O	SPORT0 Transmit Data Primary	C
DT0SEC	O	SPORT0 Transmit Data Secondary	C
<i>Serial Port 1</i>			
RSCLK1	I/O	SPORT1 Receive Serial Clock	D
RFS1	I/O	SPORT1 Receive Frame Sync	C
DR1PRI	I	SPORT1 Receive Data Primary	
DR1SEC	I	SPORT1 Receive Data Secondary	
TSCLK1	I/O	SPORT1 Transmit Serial Clock	D
TFS1	I/O	SPORT1 Transmit Frame Sync	C
DT1PRI	O	SPORT1 Transmit Data Primary	C
DT1SEC	O	SPORT1 Transmit Data Secondary	C
<i>SPI0 Port</i>			
MOSI0	I/O	SPI0 Master Out Slave In	C
MISO0	I/O	SPI0 Master In Slave Out (This pin should always be pulled HIGH through a 4.7 K Ω resistor if booting via the SPI port.)	C
SCK0	I/O	SPI0 Clock	D
<i>UART0 Port</i>			
RX0	I	UART Receive	
TX0	O	UART Transmit	C
<i>PPI Port</i>			
PPI3-0	I/O	PPI3-0	C
PPI_CLK	I	PPI Clock	
<i>Port C: Controller Area Network/GPIO</i>			
CANTX/PC0	I/O 5V	CAN Transmit/GPIO	C
CANRX/PC1	I/O 5V	CAN Receive/GPIO	C
PC[9:4]	I/O	GPIO	
<i>Port D: SPI1/SPI2/UART1/UART2/GPIO</i>			
MOSI1/PD0	I/O	SPI1 Master Out Slave In/GPIO	C
MISO1/PD1	I/O	SPI1 Master In Slave Out/GPIO	C
SCK1/PD2	I/O	SPI1 Clock/GPIO	D
SPI1SS/PD3	I/O	SPI1 Slave Select Input/GPIO	C
SPI1SEL/PD4	I/O	SPI1 Slave Select Enable/GPIO	C
MOSI2/PD5	I/O	SPI2 Master Out Slave In/GPIO	C
MISO2/PD6	I/O	SPI2 Master In Slave Out/GPIO	C

Table 10. Pin Descriptions (Continued)

Pin Name	I/O	Function	Driver Type
SCK2/PD7	I/O	SPI2 Clock/GPIO	D
SPI2SS/PD8	I/O	SPI2 Slave Select Input/GPIO	C
SPI2SEL/PD9	I/O	SPI2 Slave Select Enable/GPIO	C
RX1/PD10	I/O	UART1 Receive/GPIO	C
TX1/PD11	I/O	UART1 Transmit/GPIO	C
RX2/PD12	I/O	UART2 Receive/GPIO	C
TX2/PD13	I/O	UART2 Transmit/GPIO	C
Port E: SPORT2/SPORT3/GPIO			
RSCLK2/PE0	I/O	SPORT2 Receive Serial Clock/GPIO	D
RFS2/PE1	I/O	SPORT2 Receive Frame Sync/GPIO	C
DR2PRI/PE2	I/O	SPORT2 Receive Data Primary/GPIO	C
DR2SEC/PE3	I/O	SPORT2 Receive Data Secondary/GPIO	C
TSCLK2/PE4	I/O	SPORT2 Transmit Serial Clock/GPIO	D
TFS2/PE5	I/O	SPORT2 Transmit Frame Sync/GPIO	C
DT2PRI/PE6	I/O	SPORT2 Transmit Data Primary/GPIO	C
DT2SEC/PE7	I/O	SPORT2 Transmit Data Secondary/GPIO	C
RSCLK3/PE8	I/O	SPORT3 Receive Serial Clock/GPIO	D
RFS3/PE9	I/O	SPORT3 Receive Frame Sync/GPIO	C
DR3PRI/PE10	I/O	SPORT3 Receive Data Primary/GPIO	C
DR3SEC/PE11	I/O	SPORT3 Receive Data Secondary/GPIO	C
TSCLK3/PE12	I/O	SPORT3 Transmit Serial Clock/GPIO	D
TFS3/PE13	I/O	SPORT3 Transmit Frame Sync/GPIO	C
DT3PRI/PE14	I/O	SPORT3 Transmit Data Primary/GPIO	C
DT3SEC/PE15	I/O	SPORT3 Transmit Data Secondary/GPIO	C
Port F: Parallel Peripheral Interface Port/SPIO/Timers/GPIO			
SPI0SS/PF0	I/O	SPI Slave Select Input/GPIO	C
SPI0SEL1/TMRCLK/PF1	I/O	SPI Slave Select Enable 1/External Timer Reference/GPIO	C
SPI0SEL2/PF2	I/O	SPI Slave Select Enable 2/GPIO	C
PPI_FS3/SPI0SEL3/PF3	I/O	PPI Frame Sync 3/SPI Slave Select Enable 3/GPIO	C
PPI15/SPI0SEL4/PF4	I/O	PPI 15/SPI Slave Select Enable 4/GPIO	C
PPI14/SPI0SEL5/PF5	I/O	PPI 14/SPI Slave Select Enable 5/GPIO	C
PPI13/SPI0SEL6/PF6	I/O	PPI 13/SPI Slave Select Enable 6/GPIO	C
PPI12/SPI0SEL7/PF7	I/O	PPI 12/SPI Slave Select Enable 7/GPIO	C
PPI11/PF8	I/O	PPI 11/GPIO	C
PPI10/PF9	I/O	PPI 10/GPIO	C
PPI9/PF10	I/O	PPI 9/GPIO	C
PPI8/PF11	I/O	PPI 8/GPIO	C
PPI7/PF12	I/O	PPI 7/GPIO	C
PPI6/PF13	I/O	PPI 6/GPIO	C
PPI5/PF14	I/O	PPI 5/GPIO	C
PPI4/PF15	I/O	PPI 4/GPIO	C

Table 10. Pin Descriptions (Continued)

Pin Name	I/O	Function	Driver Type
<i>Real Time Clock</i>			
RTXI	I	RTC Crystal Input	
RTXO	O	RTC Crystal Output	
<i>JTAG Port</i>			
TCK	I	JTAG Clock	
TDO	O	JTAG Serial Data Out	C
TDI	I	JTAG Serial Data In	
TMS	I	JTAG Mode Select	
$\overline{\text{TRST}}$	I	JTAG Reset (This pin should be pulled LOW if the JTAG port will not be used.)	
$\overline{\text{EMU}}$	O	Emulation Output	C
<i>Clock</i>			
CLKIN	I	Clock/Crystal Input	
XTAL	O	Crystal Output	
<i>Mode Controls</i>			
$\overline{\text{RESET}}$	I	Reset	
$\overline{\text{NMI}}$	I	Non-maskable Interrupt (This pin should be pulled HIGH when not used.)	
BMODE1-0	I	Boot Mode Strap	
<i>Voltage Regulator</i>			
VR0UT0	O	External FET Drive 0	
VR0UT1	O	External FET Drive 1	
$\overline{\text{GPW}}$	I/O	General-purpose regulator wakeup (This pin should be pulled HIGH when not used)	
<i>Supplies</i>			
VDDEXT	P	I/O Power Supply	
VDDINT	P	Internal Power Supply	
VDDRTC	P	Real Time Clock Power Supply	
GND	G	Ground	

SPECIFICATIONS

Note that component specifications are subject to change without notice.

OPERATING CONDITIONS

Parameter ¹	Min	Nominal	Max	Unit
V _{DDINT} Internal Supply Voltage	0.8	1.2	1.32	V
V _{DDEXT} External Supply Voltage	2.25	3.3	3.6	V
V _{DDRTC} Real Time Clock Power Supply Voltage	2.25		3.6	V
V _{IH} High Level Input Voltage ² , @ V _{DDEXT} = maximum	2.0		3.6	V
V _{IHCLKIN} High Level Input Voltage ³ , @ V _{DDEXT} = maximum	2.2		3.6	V
V _{IL} Low Level Input Voltage ^{2,4} , @ V _{DDEXT} = minimum	-0.3		0.6	V

¹ Specifications subject to change without notice.

² The 3.3 V tolerant pins are capable of accepting up to 3.6 V maximum V_{IH}. The following bi-directional pins are 3.3 V tolerant: DATA15-0, MISO0, MOSI0, PF15-0, PPI3-0, SCK1, MISO1, MOSI1, SPI1SS, SPI1SEL, SCK2, MISO2, MOSI2, SPI2SS, SPI2SEL, RX1, TX1, RX2, TX2, DT2PRI, DT2SEC, TSCLK2, DR2PRI, DT2SEC, RSCLK2, RFS2, TFS2, DT3PRI, DT3SEC, DR3PRI, DR3SEC, RSCLK3, RFS3, TFS3, RFS0, RFS1, RSCLK0, RSCLK1, TSCLK0, TSCLK1, SCK0, TFS0, TFS1, and TMR2-0. The following input-only pins are 3.3 V tolerant: $\overline{\text{RESET}}$, RX0, TCK, TDI, TMS, $\overline{\text{TRST}}$, ARDY, BMODE1-0, $\overline{\text{BR}}$, DR0PRI, DR0SEC, DR1PRI, DR1SEC, NMI, PPI_CLK, RTXI, and GP.

³ Parameter value applies to the CLKIN pins.

⁴ Parameter value applies to all input and bi-directional pins.

OPERATING CONDITIONS—APPLIES TO 5V TOLERANT PINS

Parameter ¹	Min	Nominal	Max	Unit
V _{IHSV} ² High Level Input Voltage, @ V _{DDEXT} = maximum	2.0		5.5	V
V _{ILSV} ² Low Level Input Voltage, @ V _{DDEXT} = minimum	-0.3		0.8	V

¹ Specifications subject to change without notice.

² The 5 V tolerant pins are capable of accepting up to 5.5 V maximum V_{IH}. The following bi-directional pins are 5 V tolerant: SCL0, SCL1, SDA0, SDA1, CANRX, CANTX.

ELECTRICAL CHARACTERISTICS

Parameter ¹	Test Conditions	Min	Max	Unit
V _{OH} High Level Output Voltage ²	@ V _{DDEXT} = 3.0V, I _{OH} = -0.5 mA	2.4		V
V _{OL} Low Level Output Voltage ²	@ V _{DDEXT} = 3.0V, I _{OL} = 2.0 mA		0.4	V
I _{IH} High Level Input Current ³	@ V _{DDEXT} = maximum, V _{IN} = V _{DD} maximum		TBD	μA
I _{IL} Low Level Input Current ⁴	@ V _{DDEXT} = maximum, V _{IN} = 0 V		TBD	μA
I _{OZH} Three-State Leakage Current ⁴	@ V _{DDEXT} = maximum, V _{IN} = V _{DD} maximum		10	μA
I _{OZL} Three-State Leakage Current ⁵	@ V _{DDEXT} = maximum, V _{IN} = 0 V		10	μA
C _{IN} Input Capacitance ^{5,6}	f _{IN} = 1 MHz, T _{AMBIENT} = 25°C, V _{IN} = 2.5 V		TBD	pF

¹ Specifications subject to change without notice.

² Applies to output and bidirectional pins.

³ Applies to input pins.

⁴ Applies to three-statable pins.

⁵ Applies to all signal pins.

⁶ Guaranteed, but not tested.

ABSOLUTE MAXIMUM RATINGS

Stresses greater than those listed below may cause permanent damage to the device. These are stress ratings only. Functional operation of the device at these or any other conditions greater than those indicated in the operational sections of this specification is not implied. Exposure to absolute maximum rating conditions for extended periods may affect device reliability.

Parameter	Rating
Internal (Core) Supply Voltage (V_{DDINT})	-0.3 V to +1.4 V
External (I/O) Supply Voltage (V_{DDEXT})	-0.3 V to +3.8 V
Input Voltage	-0.5 V to +3.6 V
Input Voltage ¹	-0.5 V to +5.5 V
Output Voltage Swing	-0.5 V to $V_{DDEXT} + 0.5$ V
Load Capacitance	200 pF
Storage Temperature Range	-65°C to +150°C
Junction Temperature Under bias	+125°C

¹The 5.5V tolerant pins are capable of accepting up to 5.5 V maximum V_{IH} . The following bi-directional pins are 5 V tolerant: SCL0, SCL1, SDA0, SDA1, CANRX, CANTX. For other duty cycles, see Table 11.

Table 11. Maximum Duty Cycle for Input¹ Transient Voltage

V_{IN} Max (V) ²	V_{IN} Min (V)	Maximum Duty Cycle
3.63	-0.33	100%
3.80	-0.50	48%
3.90	-0.60	30%
4.00	-0.70	20%
4.10	-0.80	10%
4.20	-0.90	8%
4.30	-1.00	5%

¹Applies to all signal pins with the exception of CLKIN, XTAL, and VROUT1-0.
²Only one of the listed options can apply to a particular design.

ESD SENSITIVITY

CAUTION

ESD (electrostatic discharge) sensitive device. Electrostatic charges as high as 4000V readily accumulate on the human body and test equipment and can discharge without detection. Although the ADSP-BF538/ADSP-BF538F processors feature proprietary ESD protection circuitry, permanent damage may occur on devices subjected to high energy electrostatic discharges. Therefore, proper ESD precautions are recommended to avoid performance degradation or loss of functionality.

PACKAGE INFORMATION

The information presented in Figure 9 and Table 12 provides information about how to read the package brand and relate it to specific product features. For a complete listing of product offerings, see the Ordering Guide on Page 55.



Figure 9. Product Information on Package

Table 12. Package Brand Information

Brand Key	Field Description
t	Temperature Range
pp	Package Type
Z	Lead Free Option (optional)
ccc	See Ordering Guide
vvvvv.x	Assembly Lot Code
n.n	Silicon Revision
yyww	Date Code



TIMING SPECIFICATIONS

Table 13 describes the timing requirements for the ADSP-BF538/ADSP-BF538F processor clocks. Take care in selecting MSEL, SSEL, and CSEL ratios so as not to exceed the maximum core clock, system clock and Voltage Controlled Oscillator

(VCO) operating frequencies, as described in [Absolute Maximum Ratings on Page 23](#). Table 14 describes Phase Locked Loop operating conditions.

Table 13. Core and System Clock Requirements—ADSP-BF538/ADSP-BF538F—500 MHz

Parameter	Min	Max	Unit
f_{CCLK} Core Clock Frequency ($V_{DDINT} = 1.2$ V minimum)		500	MHz
f_{CCLK} Core Clock Frequency ($V_{DDINT} = 1.045$ V minimum)		444	MHz
f_{CCLK} Core Clock Frequency ($V_{DDINT} = 0.95$ V minimum)		400	MHz
f_{CCLK} Core Clock Frequency ($V_{DDINT} = 0.85$ V minimum)		333	MHz

Table 14. Phase Locked Loop Operating Conditions

Parameter	Min	Max	Unit
f_{VCO} Voltage Controlled Oscillator (VCO) Frequency	50	Max CCLK	MHz

Clock and Reset Timing

Table 15 and Figure 10 describe clock and reset operations. Per [Absolute Maximum Ratings on Page 23](#), combinations of CLKIN and clock multipliers must not select core/peripheral clocks in excess of 500/133 MHz.

Table 15. Clock and Reset Timing

Parameter	Min	Max	Unit
<i>Timing Requirements</i>			
t_{CKIN} CLKIN Period	20.0	100.0	ns
t_{CKINL} CLKIN Low Pulse ¹	8.0		ns
t_{CKINH} CLKIN High Pulse ¹	8.0		ns
t_{WRST} RESET Asserted Pulsewidth Low ²	$11 t_{CKIN}$		ns

¹ Applies to bypass mode and non-bypass mode.

² Applies after power-up sequence is complete. At power-up, the processor's internal phase locked loop requires no more than 2000 CLKIN cycles, while \overline{RESET} is asserted, assuming stable power supplies and CLKIN (not including startup time of external clock oscillator).

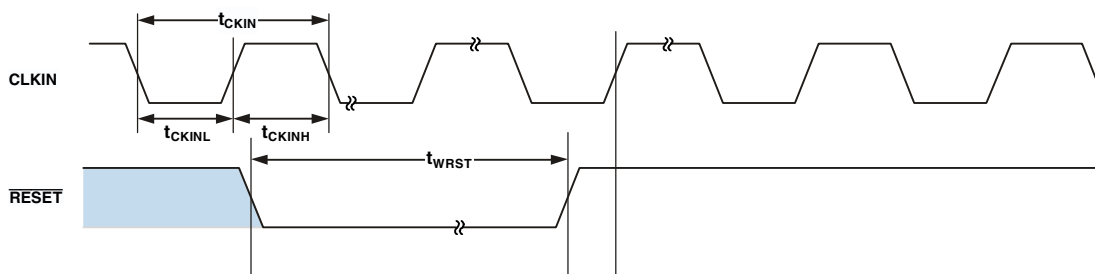


Figure 10. Clock and Reset Timing

Asynchronous Memory Read Cycle Timing

Table 16 and Table 17 on Page 26 and Figure 11 and Figure 12 on Page 26 describe asynchronous memory read cycle operations for synchronous and for asynchronous ARDY.

Table 16. Asynchronous Memory Read Cycle Timing with Synchronous ARDY

Parameter		Min	Max	Unit
<i>Timing Requirements</i>				
t_{SDAT}	DATA15-0 Setup Before CLKOUT	2.1		ns
t_{HDAT}	DATA15-0 Hold After CLKOUT	0.8		ns
t_{SARDY}	ARDY Setup Before the Falling Edge of CLKOUT	TBD		ns
t_{HARDY}	ARDY Hold After the Falling Edge of CLKOUT	TBD		ns
t_{DO}	Output Delay After CLKOUT ¹		6.0	ns
t_{HO}	Output Hold After CLKOUT ¹	0.8		ns

¹ Output pins include $\overline{AMS3-0}$, $\overline{ABE1-0}$, ADDR19-1, AOE, \overline{ARE} .

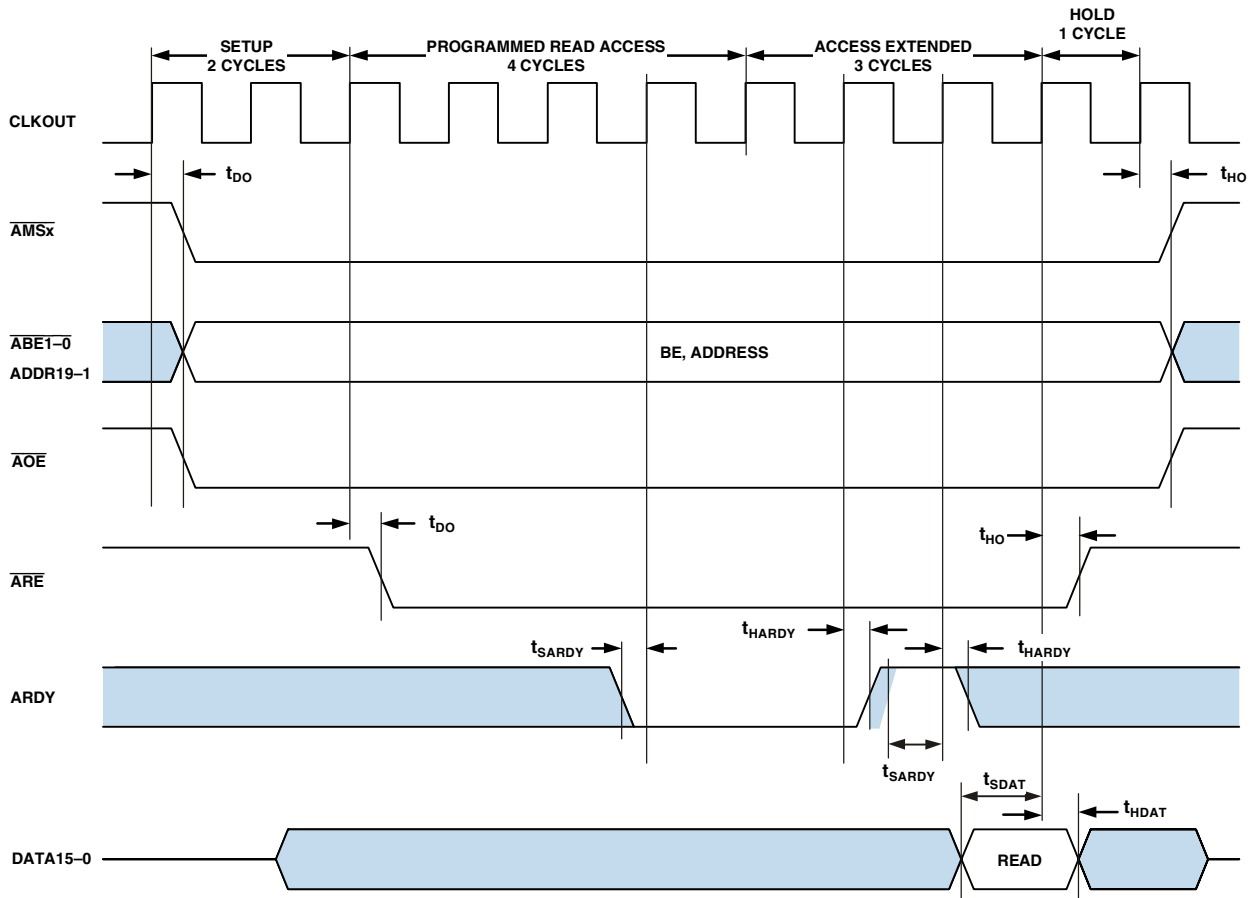


Figure 11. Asynchronous Memory Read Cycle Timing with Synchronous ARDY

Asynchronous Memory Write Cycle Timing

Table 18 and Table 19 on Page 28 and Figure 13 and Figure 14 on Page 28 describe asynchronous memory write cycle operations for synchronous and for asynchronous ARDY.

Table 18. Asynchronous Memory Write Cycle Timing with Synchronous ARDY

Parameter		Min	Max	Unit
<i>Timing Requirements</i>				
t_{SARDY}	ARDY Setup Before the Falling Edge of CLKOUT	TBD		ns
t_{HARDY}	ARDY Hold After the Falling Edge of CLKOUT	TBD		ns
<i>Switching Characteristics</i>				
t_{DDAT}	DATA15-0 Disable After CLKOUT		6.0	ns
t_{ENDAT}	DATA15-0 Enable After CLKOUT	1.0		ns
t_{DO}	Output Delay After CLKOUT ¹		6.0	ns
t_{HO}	Output Hold After CLKOUT ¹	0.8		ns

¹ Output pins include $\overline{AMS3-0}$, $\overline{ABE1-0}$, $\overline{ADDR19-1}$, $\overline{DATA15-0}$, \overline{AOE} , \overline{AWE} .

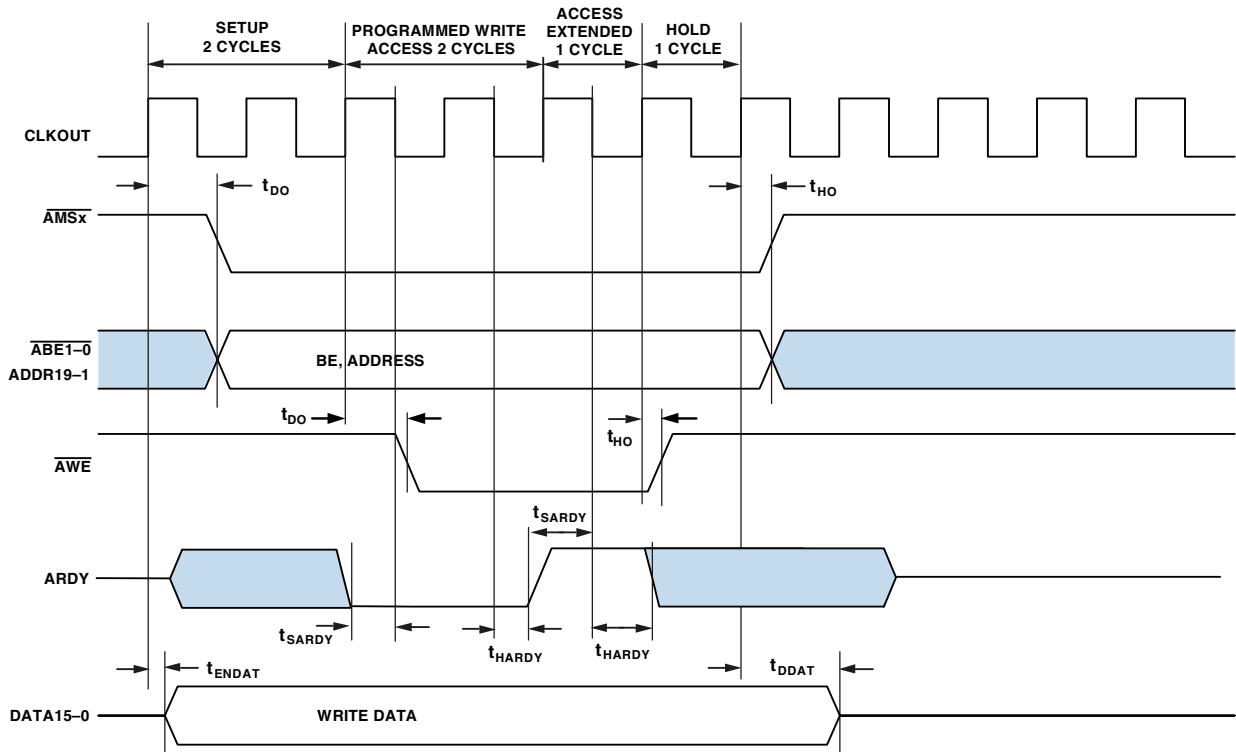


Figure 13. Asynchronous Memory Write Cycle Timing with Synchronous ARDY

Table 19. Asynchronous Memory Write Cycle Timing with Asynchronous ARDY

Parameter	Min	Max	Unit
<i>Timing Requirements</i>			
t_{DANR} ARDY Negated Delay from \overline{AMSx} Asserted ¹		$(S + WA - 2) \times t_{sCLK}$	ns
t_{HAA} ARDY Asserted Hold After \overline{ARE} Negated	0.0		ns
<i>Switching Characteristics</i>			
t_{DDAT} DATA15-0 Disable After CLKOUT		6.0	ns
t_{ENDAT} DATA15-0 Enable After CLKOUT	1.0		ns
t_{DO} Output Delay After CLKOUT ²		6.0	ns
t_{HO} Output Hold After CLKOUT ²	0.8		ns

¹ S = number of programmed setup cycles, WA = number of programmed write access cycles.

² Output pins include AMS3-0, ABE1-0, ADDR19-1, DATA15-0, AOE, AWE.

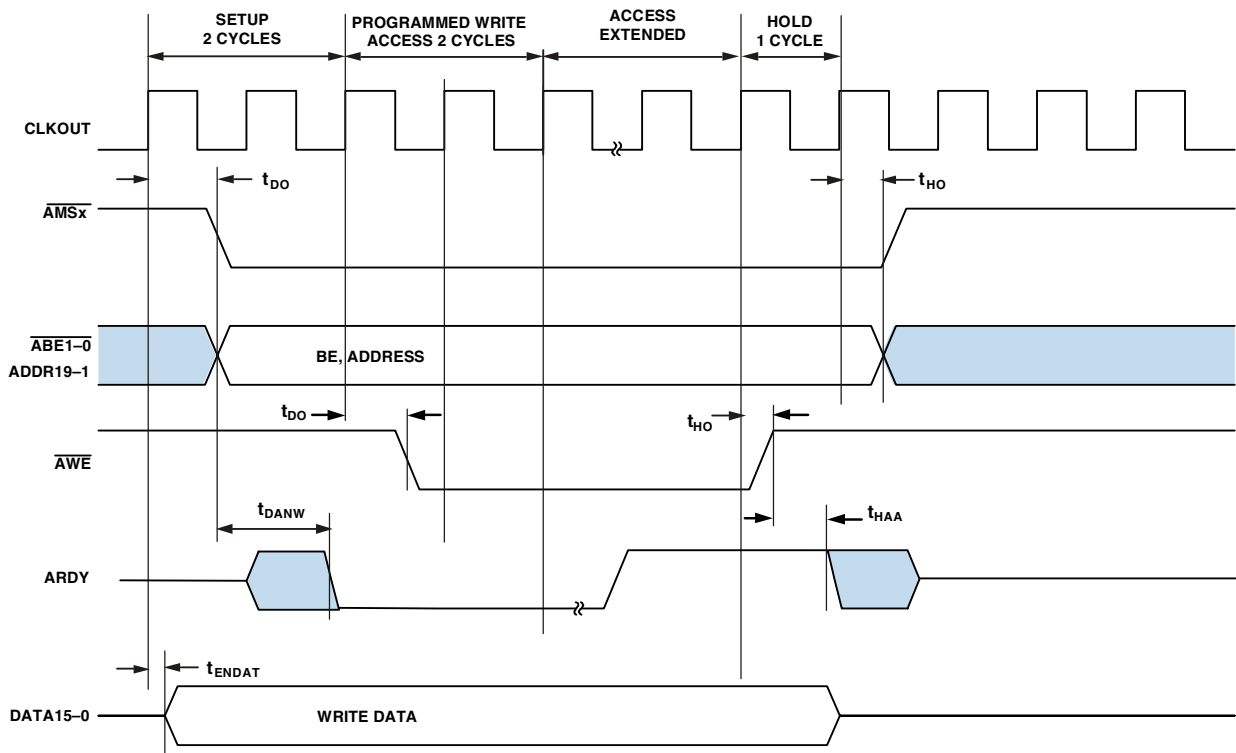


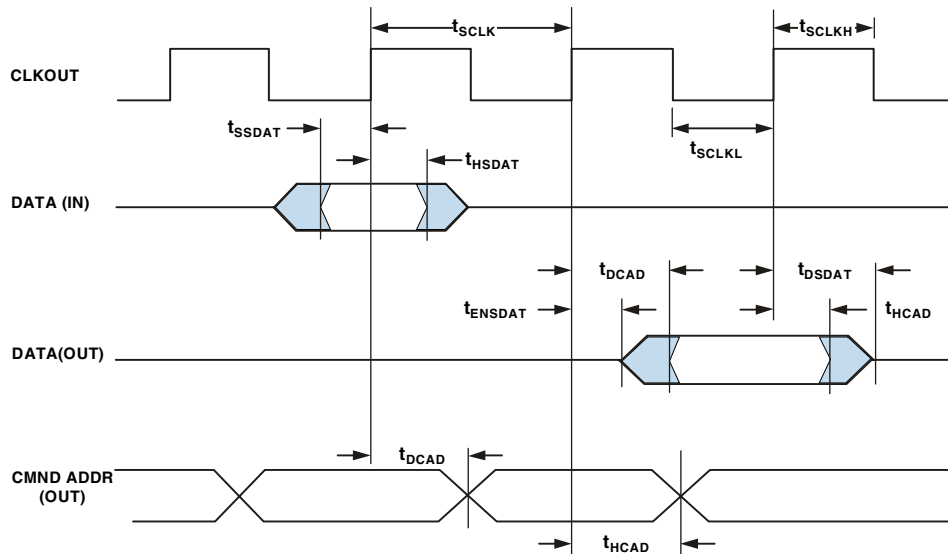
Figure 14. Asynchronous Memory Write Cycle Timing with Asynchronous ARDY

SDRAM Interface Timing

Table 20. SDRAM Interface Timing

Parameter	Min	Max	Unit
<i>Timing Requirements</i>			
t_{SSDAT} DATA Setup Before CLKOUT	2.1		ns
t_{HSDAT} DATA Hold After CLKOUT	0.8		ns
<i>Switching Characteristics</i>			
t_{SCLK} CLKOUT Period	7.5		ns
t_{SCLKH} CLKOUT Width High	2.5		ns
t_{SCLKL} CLKOUT Width Low	2.5		ns
t_{DCAD} Command, ADDR, Data Delay After CLKOUT ¹		6.0	ns
t_{HCAD} Command, ADDR, Data Hold After CLKOUT ¹	0.8		ns
t_{DSDAT} Data Disable After CLKOUT		6.0	ns
t_{ENSDAT} Data Enable After CLKOUT	1.0		ns

¹ Command pins include: \overline{SRAS} , \overline{SCAS} , \overline{SWE} , \overline{SDQM} , \overline{SMS} , SA10, SCKE.



NOTE: COMMAND = \overline{SRAS} , \overline{SCAS} , \overline{SWE} , \overline{SDQM} , \overline{SMS} , SA10, SCKE.

Figure 15. SDRAM Interface Timing

External Port Bus Request and Grant Cycle Timing

Table 21 and Table 22 on Page 31 and Figure 16 and Figure 17 on Page 31 describe external port bus request and grant cycle operations for synchronous and for asynchronous \overline{BR} .

Table 21. External Port Bus Request and Grant Cycle Timing with Synchronous \overline{BR}

Parameter		Min	Max	Unit
<i>Timing Requirements</i>				
t_{BS}	\overline{BR} Setup to Falling Edge of CLKOUT	TBD		ns
t_{BH}	Falling Edge of CLKOUT to \overline{BR} Deasserted Hold Time	TBD		ns
<i>Switching Characteristics</i>				
t_{SD}	CLKOUT Low to \overline{AMS} , Address, and $\overline{RD}/\overline{WR}$ disable		4.5	ns
t_{SE}	CLKOUT Low to \overline{AMS} , Address, and $\overline{RD}/\overline{WR}$ enable		4.5	ns
t_{DBG}	CLKOUT High to \overline{BG} High Setup		3.6	ns
t_{EBG}	CLKOUT High to \overline{BG} Deasserted Hold Time		3.6	ns
t_{DBH}	CLKOUT High to \overline{BGH} High Setup		3.6	ns
t_{EBH}	CLKOUT High to \overline{BGH} Deasserted Hold Time		3.6	ns

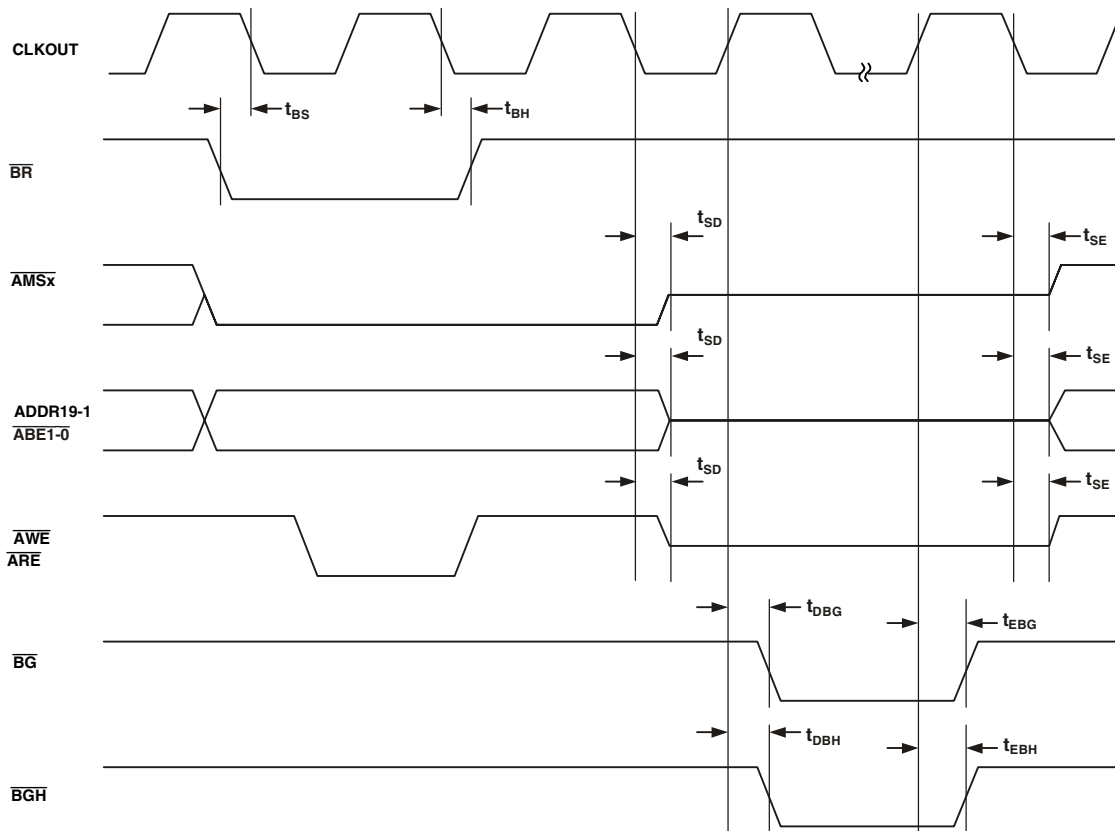


Figure 16. External Port Bus Request and Grant Cycle Timing with Synchronous \overline{BR}

Table 22. External Port Bus Request and Grant Cycle Timing with Asynchronous \overline{BR}

Parameter		Min	Max	Unit
<i>Timing Requirements</i>				
t_{WBR}	\overline{BR} Pulsewidth	2 x t_{SCLK}		ns
<i>Switching Characteristics</i>				
t_{SD}	CLKOUT Low to \overline{xMS} , Address, and $\overline{RD}/\overline{WR}$ disable		4.5	ns
t_{SE}	CLKOUT Low to \overline{xMS} , Address, and $\overline{RD}/\overline{WR}$ enable		4.5	ns
t_{DBG}	CLKOUT High to \overline{BG} High Setup		3.6	ns
t_{EBG}	CLKOUT High to \overline{BG} Deasserted Hold Time		3.6	ns
t_{DBH}	CLKOUT High to \overline{BGH} High Setup		3.6	ns
t_{EBH}	CLKOUT High to \overline{BGH} Deasserted Hold Time		3.6	ns

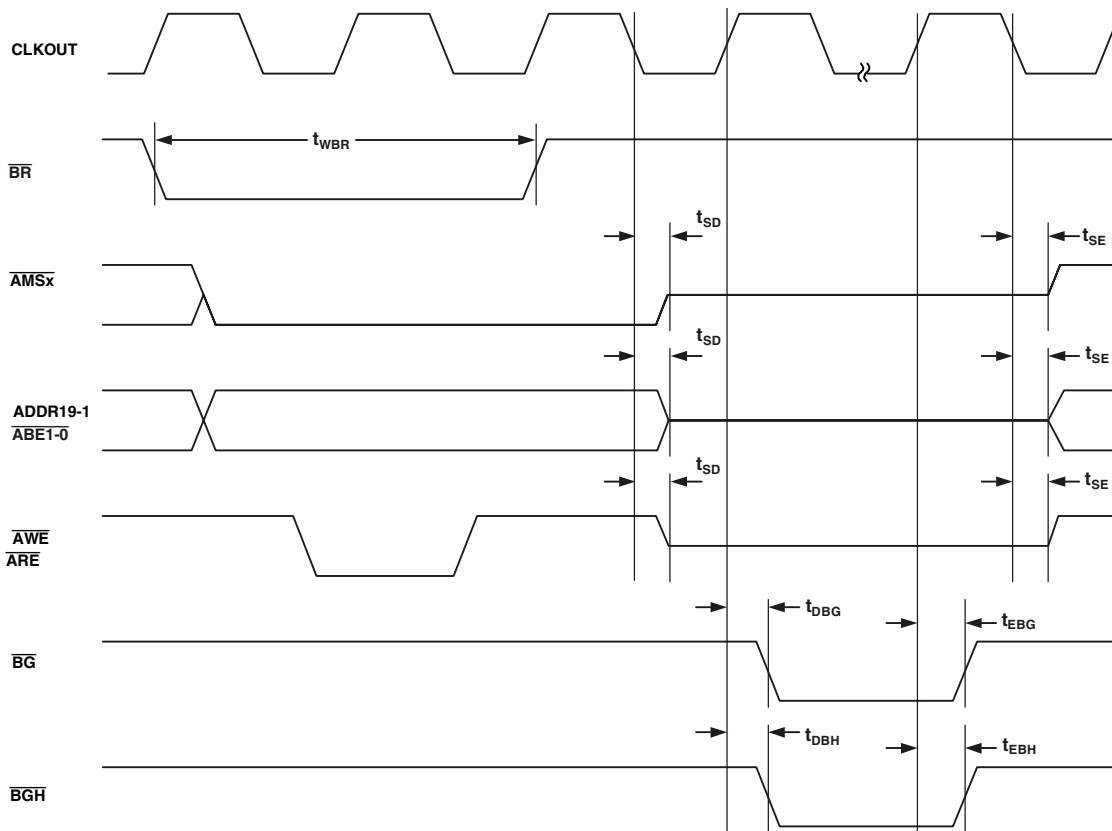


Figure 17. External Port Bus Request and Grant Cycle Timing with Asynchronous \overline{BR}

Parallel Peripheral Interface Timing

Table 23 and Figure 18, Figure 19, Figure 20, and Figure 21 describe Parallel Peripheral Interface operations.

Table 23. Parallel Peripheral Interface Timing

Parameter	Min	Max	Unit
<i>Timing Requirements</i>			
t_{PCLKW} PPI_CLK Width	6.0		ns
t_{PCLK} PPI_CLK Period ¹	15.0		ns
t_{SFSPE} External Frame Sync Setup Before PPI_CLK	3.0		ns
t_{HFSPE} External Frame Sync Hold After PPI_CLK	3.0		ns
t_{SDRPE} Receive Data Setup Before PPI_CLK	2.0		ns
t_{HDRPE} Receive Data Hold After PPI_CLK	4.0		ns
<i>Switching Characteristics — GP Output and Frame Capture Modes</i>			
t_{DFSPE} Internal Frame Sync Delay After PPI_CLK		10.0	ns
$t_{HOFSPPE}$ Internal Frame Sync Hold After PPI_CLK	0.0		ns
t_{DDTPE} Transmit Data Delay After PPI_CLK		10.0	ns
t_{HDTPE} Transmit Data Hold After PPI_CLK	0.0		ns

¹ PPI_CLK frequency cannot exceed $f_{SCLK}/2$

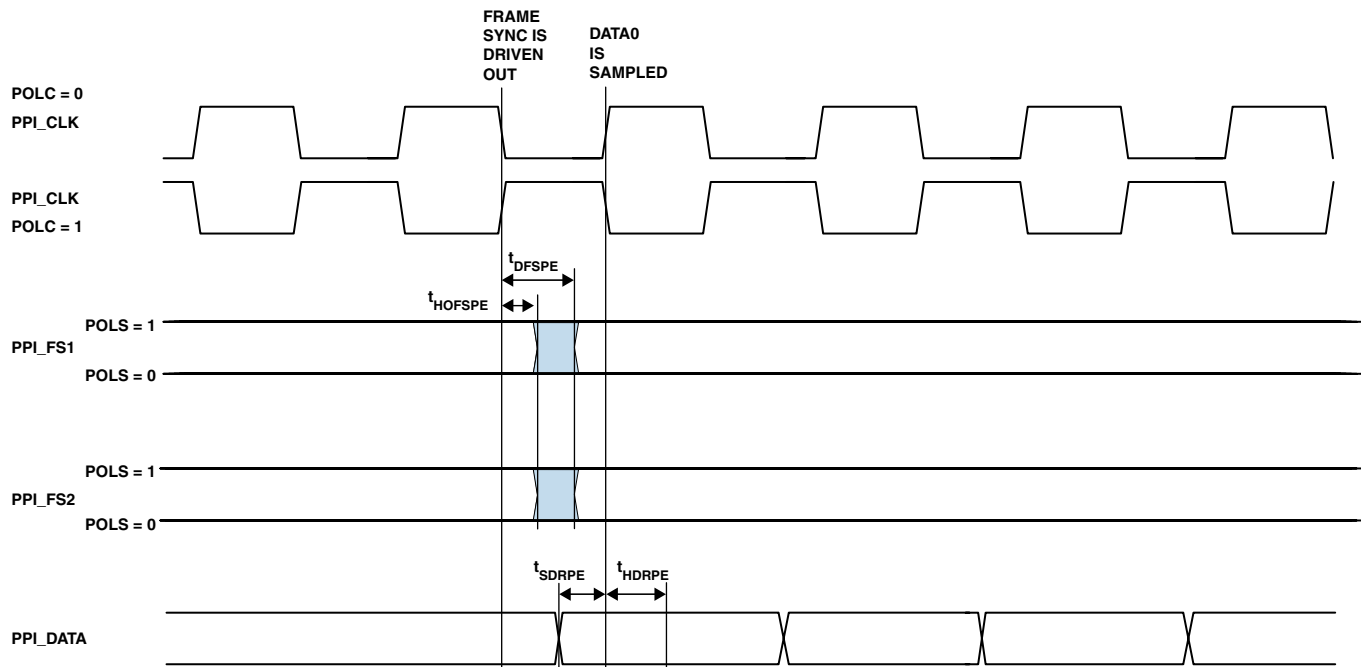


Figure 18. PPI GP Rx Mode with Internal Frame Sync Timing

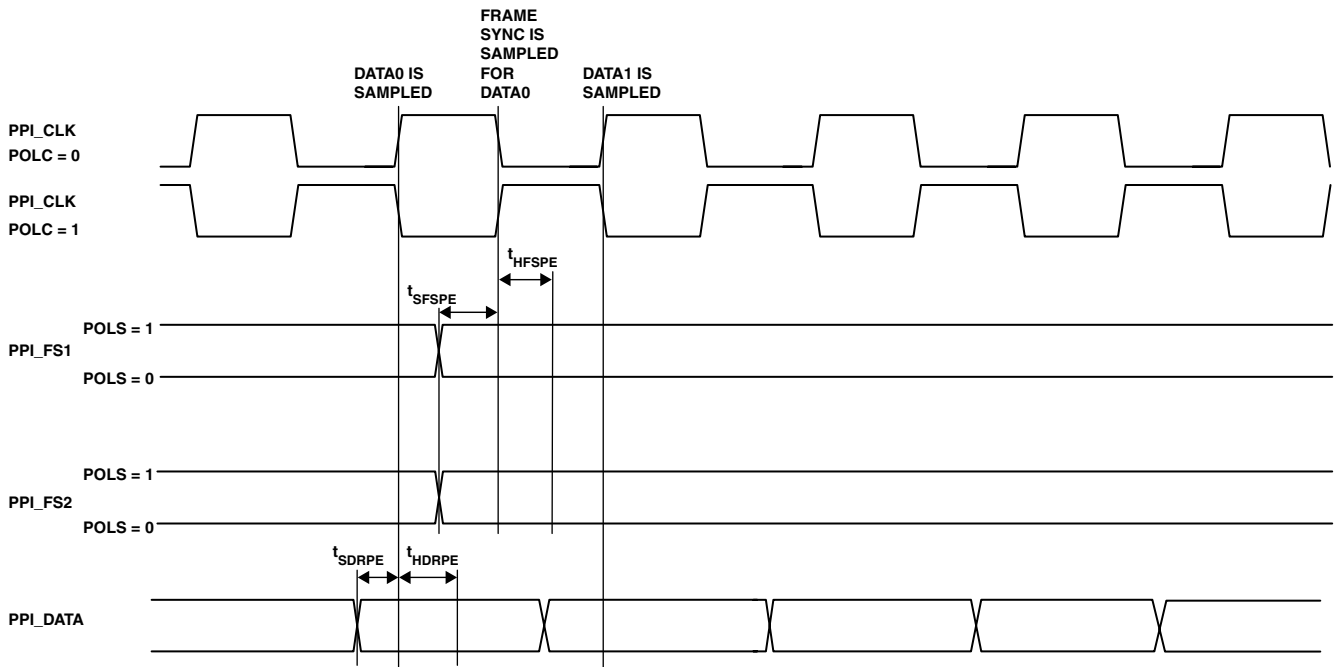


Figure 19. PPI GP Rx Mode with External Frame Sync Timing

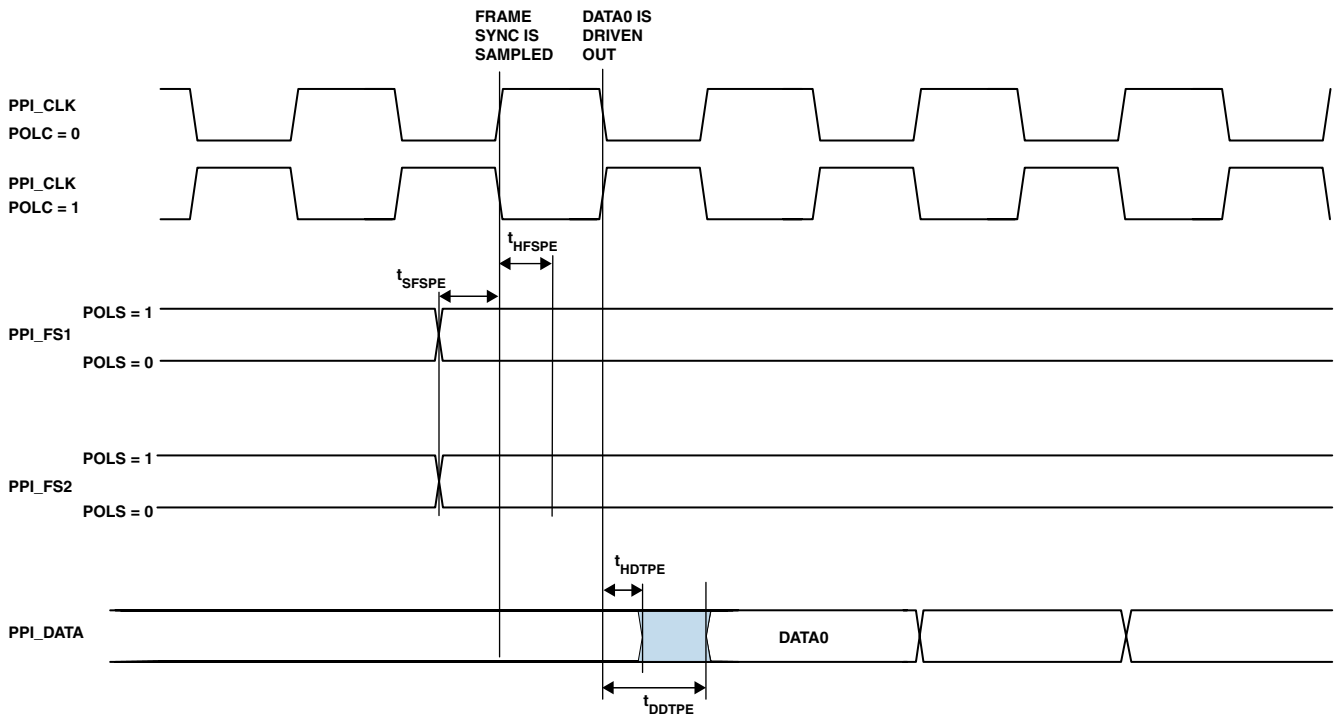


Figure 20. PPI GP Tx Mode with External Frame Sync Timing

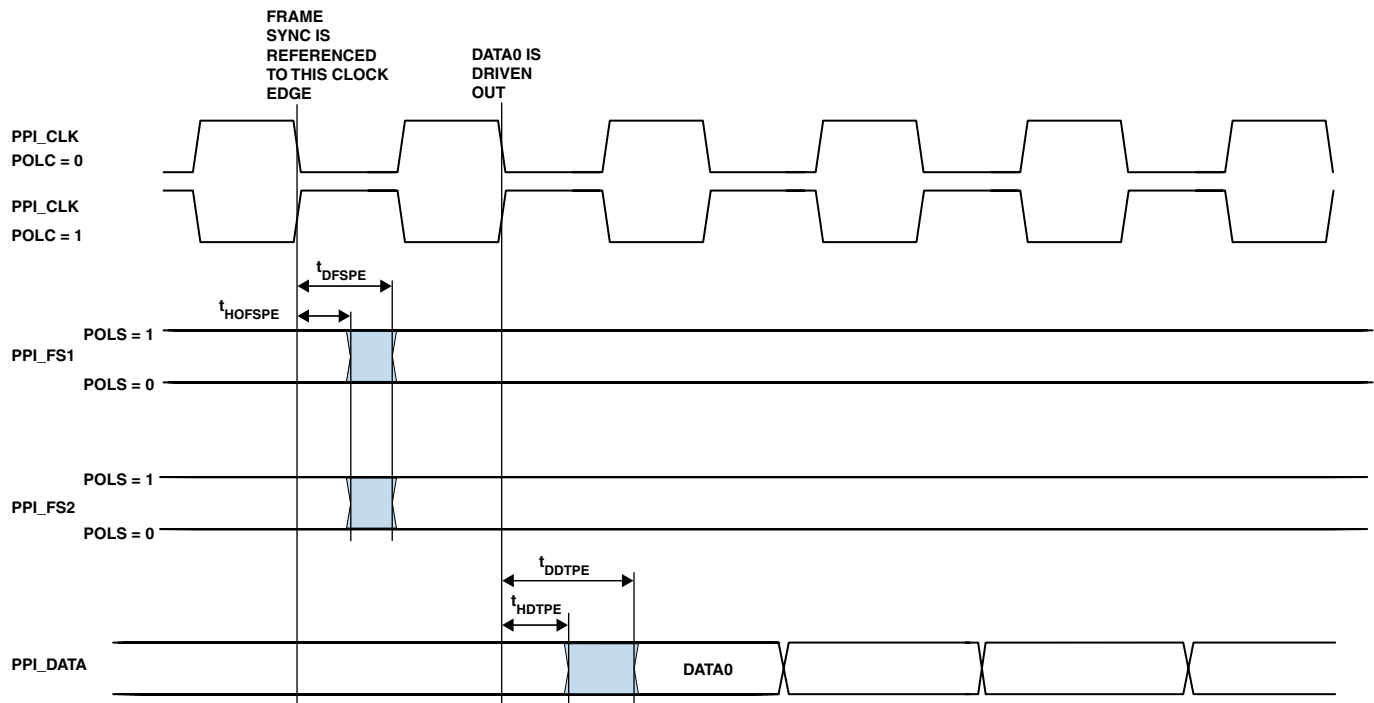


Figure 21. PPI GP Tx Mode with Internal Frame Sync Timing

Serial Port Timing

Table 24 through Table 27 on Page 36 and Figure 22 on Page 36 through Figure 24 on Page 38 describe Serial Port operations.

Table 24. Serial Ports—External Clock

Parameter	Min	Max	Unit
<i>Timing Requirements</i>			
t_{SFSE} TFS/RFS Setup Before TSCLK/RSCLK (externally generated TFS/RFS) ¹	3.0		ns
t_{HFSE} TFS/RFS Hold After TSCLK/RSCLK (externally generated TFS/RFS) ¹	3.0		ns
t_{SDRE} Receive Data Setup Before RSCLK ¹	3.0		ns
t_{HDRE} Receive Data Hold After RSCLK ¹	3.0		ns
t_{SCLKEW} TSCLK/RSCLK Width	4.5		ns
t_{SCLKE} TSCLK/RSCLK Period	15.0		ns
<i>Switching Characteristics</i>			
t_{DFSE} TFS/RFS Delay After TSCLK/RSCLK (Internally Generated TFS/RFS) ²		10.0	ns
t_{HOFSE} TFS/RFS Hold After TSCLK/RSCLK (Internally Generated TFS/RFS) ²	0.0		ns
t_{DDTE} Transmit Data Delay After TSCLK ²		10.0	ns
t_{HDTE} Transmit Data Hold After TSCLK ²	0.0		ns

¹ Referenced to sample edge.

² Referenced to drive edge.

Table 25. Serial Ports—Internal Clock

Parameter	Min	Max	Unit
<i>Timing Requirements</i>			
t_{SFSI} TFS/RFS Setup Before TSCLK/RSCLK (externally generated TFS/RFS) ¹	8.0		ns
t_{HFSI} TFS/RFS Hold After TSCLK/RSCLK (externally generated TFS/RFS) ¹	-2.0		ns
t_{SDRI} Receive Data Setup Before RSCLK ¹	6.0		ns
t_{HDRI} Receive Data Hold After RSCLK ¹	0.0		ns
t_{SCLKEW} TSCLK/RSCLK Width	4.5		ns
t_{SCLKE} TSCLK/RSCLK Period	15.0		ns
<i>Switching Characteristics</i>			
t_{DFSI} TFS/RFS Delay After TSCLK/RSCLK (Internally Generated TFS/RFS) ²		3.0	ns
t_{HOFSI} TFS/RFS Hold After TSCLK/RSCLK (Internally Generated TFS/RFS) ²	-1.0		ns
t_{DDTI} Transmit Data Delay After TSCLK ²		3.0	ns
t_{HDTI} Transmit Data Hold After TSCLK ²	-2.0		ns
t_{SCLKIW} TSCLK/RSCLK Width	4.5		ns

¹ Referenced to sample edge.

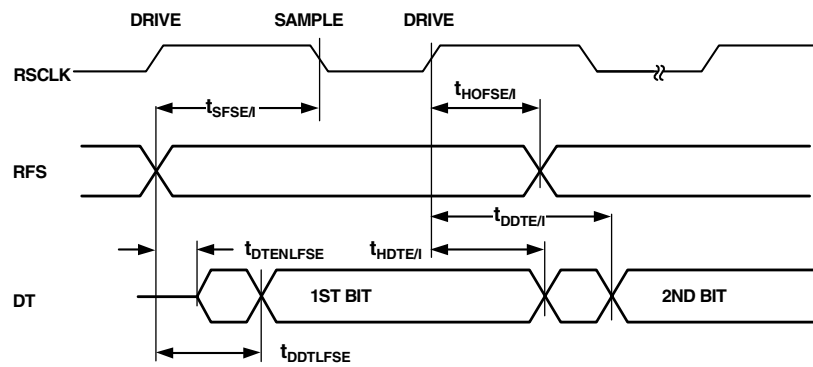
² Referenced to drive edge.

Table 26. Serial Ports—Enable and Three-State

Parameter	Min	Max	Unit
<i>Switching Characteristics</i>			
t_{DTENE} Data Enable Delay from External TSCLK ¹	0		ns
t_{DDTTE} Data Disable Delay from External TSCLK ¹		10.0	ns
t_{DTENI} Data Enable Delay from Internal TSCLK ¹	-2.0		ns
t_{DDTTI} Data Disable Delay from Internal TSCLK ¹		3.0	ns

¹ Referenced to drive edge.

EXTERNAL RFS WITH MCE = 1, MFD = 0



LATE EXTERNAL TFS

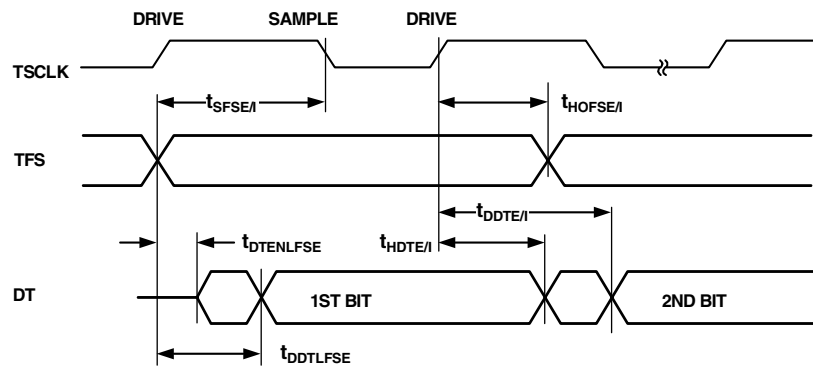
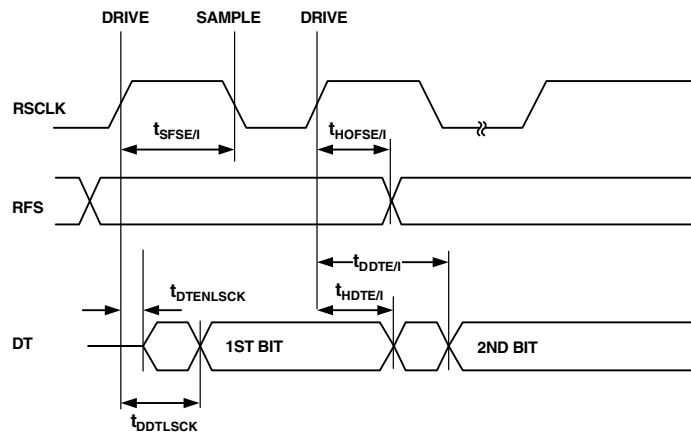


Figure 23. External Late Frame Sync (Frame Sync Setup < $t_{SCLK}/2$)

EXTERNAL RFS WITH MCE = 1, MFD = 0



LATE EXTERNAL TFS

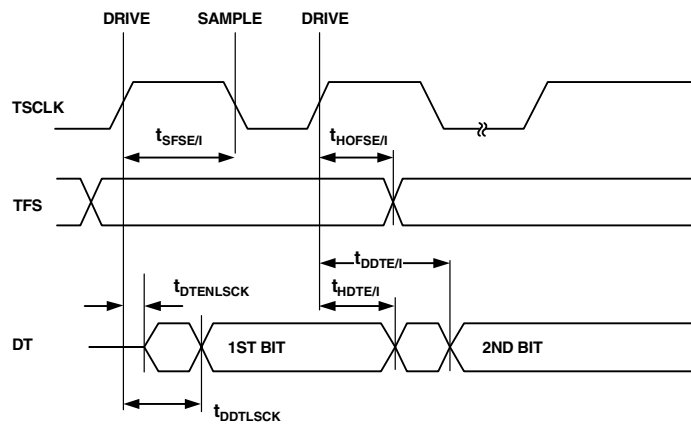


Figure 24. External Late Frame Sync (Frame Sync Setup > $t_{SCLK}/2$)

Serial Peripheral Interface Port—Master Timing

Table 28 and Figure 25 describe SPI port master operations.

Table 28. Serial Peripheral Interface (SPI) Port—Master Timing

Parameter	Min	Max	Unit
<i>Timing Requirements</i>			
t_{SSPIDM} Data Input Valid to SCK Edge (Data Input Setup)	7.5		ns
t_{HSPIDM} SCK Sampling Edge to Data Input Invalid	-1.5		ns
<i>Switching Characteristics</i>			
t_{SDSCIM} $\overline{SPIOSELx}$ Low to First SCK edge (x=0 or 1)	$2t_{SCLK} - 1.5$		ns
t_{SPICHM} Serial Clock High period	$2t_{SCLK} - 1.5$		ns
t_{SPICLM} Serial Clock Low period	$2t_{SCLK} - 1.5$		ns
t_{SPICLK} Serial Clock Period	$4t_{SCLK} - 1.5$		ns
t_{HDSM} Last SCK Edge to $\overline{SPIOSELx}$ High (x=0 or 1)	$2t_{SCLK} - 1.5$		ns
t_{SPITDM} Sequential Transfer Delay	$2t_{SCLK} - 1.5$		ns
$t_{DDSPIDM}$ SCK Edge to Data Out Valid (Data Out Delay)	0	6	ns
$t_{HDSPIDM}$ SCK Edge to Data Out Invalid (Data Out Hold)	-1.0	4.0	ns

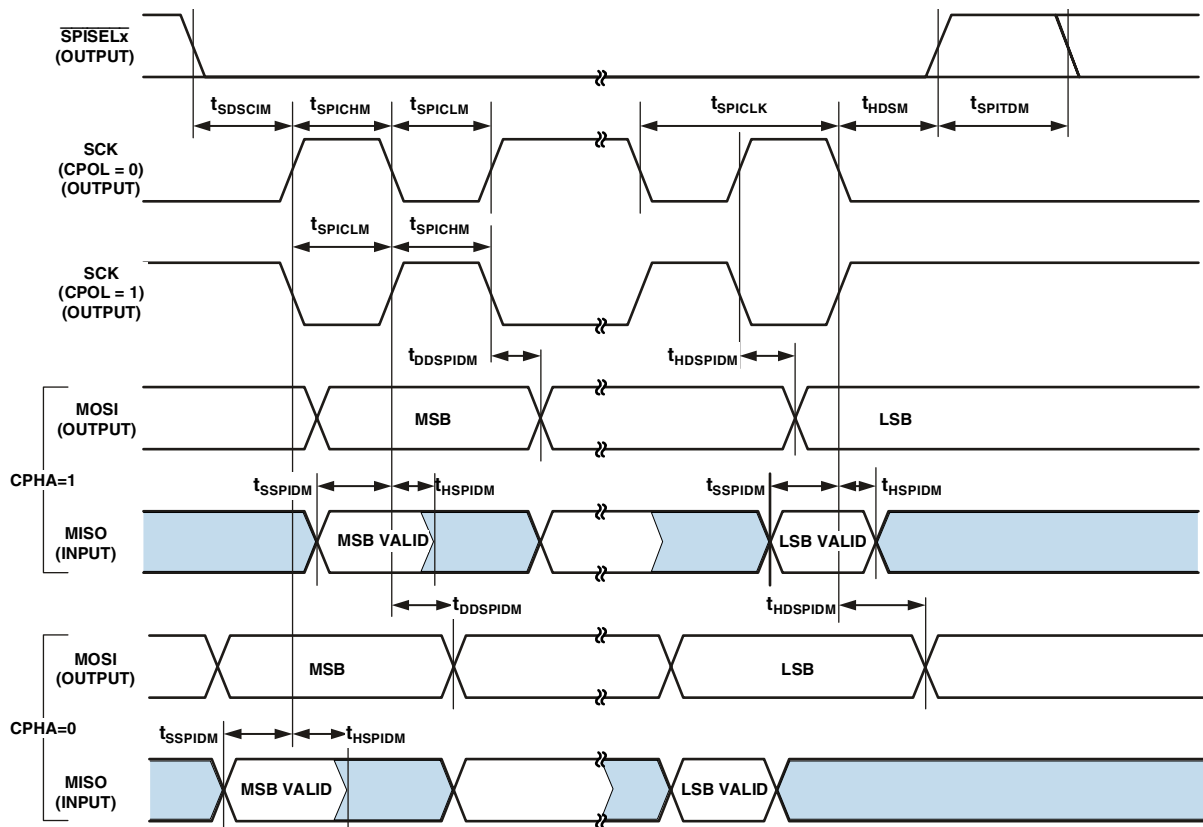


Figure 25. Serial Peripheral Interface (SPI) Port—Master Timing

Serial Peripheral Interface Port—Slave Timing

Table 29 and Figure 26 describe SPI port slave operations.

Table 29. Serial Peripheral Interface (SPI) Port—Slave Timing

Parameter		Min	Max	Unit
<i>Timing Requirements</i>				
t_{SPICHS}	Serial Clock High Period	$2t_{SCLK} - 1.5$		ns
t_{SPICLS}	Serial Clock low Period	$2t_{SCLK} - 1.5$		ns
t_{SPICLK}	Serial Clock Period	$4t_{SCLK} - 1.5$		ns
t_{HDS}	Last SCK Edge to \overline{SPIOSS} Not Asserted	$2t_{SCLK} - 1.5$		ns
t_{SPITDS}	Sequential Transfer Delay	$2t_{SCLK} - 1.5$		ns
t_{SDSCI}	\overline{SPIOSS} Assertion to First SCK Edge	$2t_{SCLK} - 1.5$		ns
t_{SSPID}	Data Input Valid to SCK Edge (Data Input Setup)	1.6		ns
t_{HSPID}	SCK Sampling Edge to Data Input Invalid	1.6		ns
<i>Switching Characteristics</i>				
t_{DSOE}	\overline{SPIOSS} Assertion to Data Out Active	0	8	ns
t_{DSDHI}	\overline{SPIOSS} Deassertion to Data High impedance	0	8	ns
t_{DDSPID}	SCK Edge to Data Out Valid (Data Out Delay)	0	10	ns
t_{HDSPID}	SCK Edge to Data Out Invalid (Data Out Hold)	0	10	ns

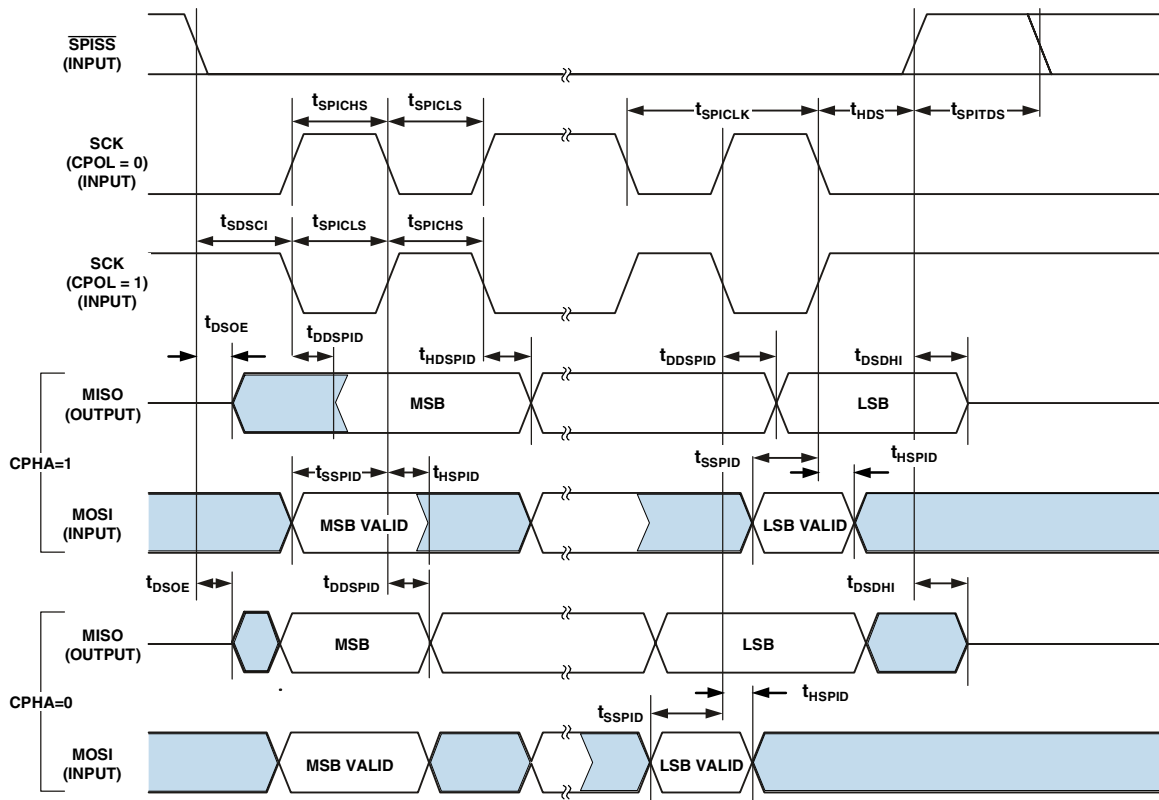


Figure 26. Serial Peripheral Interface (SPI) Port—Slave Timing

General-Purpose Port Timing

Table 30 and Figure 27 describe general-purpose operations.

Table 30. General-Purpose Port Timing

Parameter	Min	Max	Unit
<i>Timing Requirement</i>			
t_{WFI} GP Port Pin Input Pulse Width	$t_{SCLK} + 1$		ns
<i>Switching Characteristic</i>			
t_{GPOD} GP Port Pin Output Delay From CLKOUT Low	0	6	ns

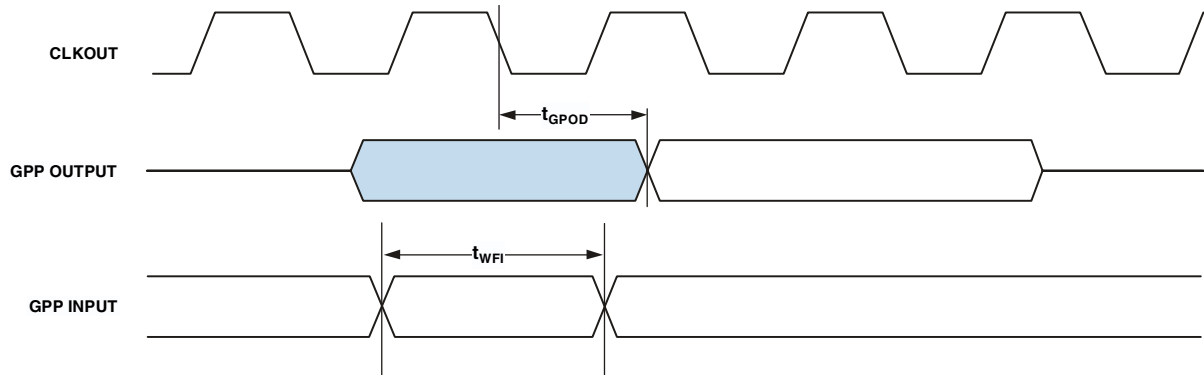


Figure 27. Programmable Flags Cycle Timing

Timer Cycle Timing

Table 31 and Figure 28 describe timer expired operations. The input signal is asynchronous in “width capture mode” and “external clock mode” and has an absolute maximum input frequency of $f_{SCLK}/2$ MHz.

Table 31. Timer Cycle Timing

Parameter	Min	Max	Unit
<i>Timing Characteristics</i>			
t_{WL} Timer Pulsewidth Input Low ¹ (measured in SCLK cycles)	1		SCLK
t_{WH} Timer Pulsewidth Input High ¹ (measured in SCLK cycles)	1		SCLK
<i>Switching Characteristic</i>			
t_{HTO} Timer Pulsewidth Output ² (measured in SCLK cycles)	1	$(2^{32} - 1)$	SCLK

¹The minimum pulsewidths apply for TMRx input pins in width capture and external clock modes. They also apply to the PF1 or PPI_CLK input pins in PWM output mode.

²The minimum time for t_{HTO} is one cycle, and the maximum time for t_{HTO} equals $(2^{32}-1)$ cycles.

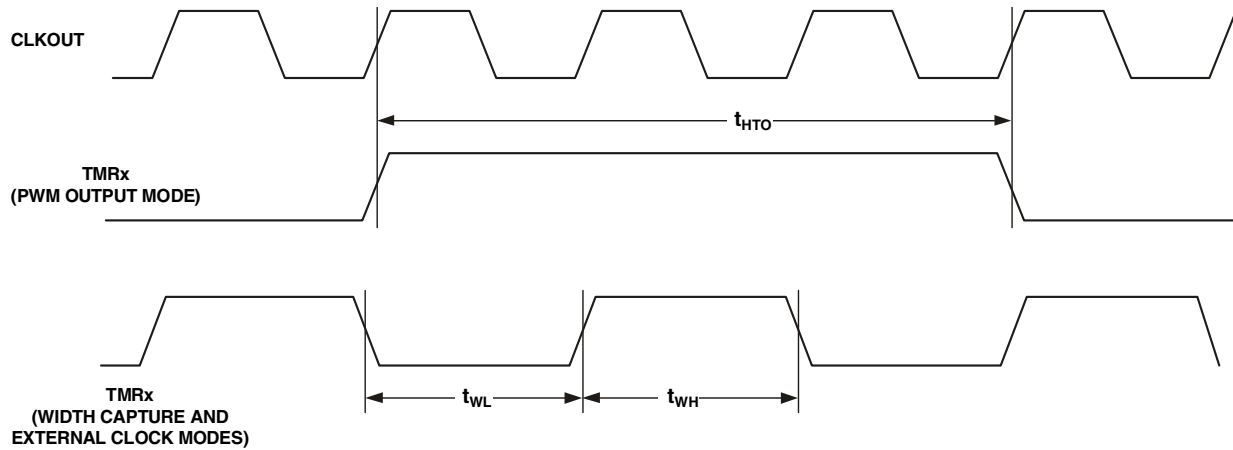


Figure 28. Timer PWM_OUT Cycle Timing

JTAG Test And Emulation Port Timing

Table 32 and Figure 29 describe JTAG port operations.

Table 32. JTAG Port Timing

Parameter	Min	Max	Unit
<i>Timing Requirements</i>			
t_{TCK} TCK Period	20		ns
t_{STAP} TDI, TMS Setup Before TCK High	4		ns
t_{HTAP} TDI, TMS Hold After TCK High	4		ns
t_{SSYS} System Inputs Setup Before TCK High ¹	4		ns
t_{HSYS} System Inputs Hold After TCK High ¹	5		ns
t_{TRSTW} \overline{TRST} Pulsewidth ² (measured in TCK cycles)	4		TCK
<i>Switching Characteristics</i>			
t_{DTDO} TDO Delay from TCK Low		10	ns
t_{DSYS} System Outputs Delay After TCK Low ³	0	12	ns

¹ System Inputs = ARDY, BMODE1-0, \overline{BR} , DATA15-0, DR0PRI, DR0SEC, DR1PRI, DR1SEC, MISO0, MOSI0, NMI, PF15-0, PPI_CLK, PPI3-0, SCL0, SCL1, SDA0, SDA1, SCK, SCK1, MISO1, MOSI1, SPI1SS, SPI1SEL, SCK2, MISO2, MOSI2, SPI2SS, SPI2SEL, RX1, TX1, RX2, TX2, DT2PRI, DT2SEC, TSCLK2, DR2PRI, DT2SEC, RSCLK2, RFS2, TFS2, DT3PRI, DT3SEC, DR3PRI, DR3SEC, RSCLK3, RFS3, TFS3, CANTX, CANRX, \overline{RESET} , RFS0, RFS1, RSCLK0, RSCLK1, TSCLK0, TSCLK1, RX0..SCK0, TFS0, TFS1, and TMR2-0,

² 50 MHz Maximum

³ System Outputs = \overline{AMS} , \overline{AOE} , \overline{ARE} , \overline{AWE} , \overline{ABE} , \overline{BG} , DATA15-0, DT0PRI, DT0SEC, DT1PRI, DT1SEC, MISO0, MOSI0, PF15-0, PPI3-0, SCK1, MISO1, MOSI1, SPI1SS, SPI1SEL, SCK2, MISO2, MOSI2, SPI2SS, SPI2SEL, RX1, TX1, RX2, TX2, DT2PRI, DT2SEC, TSCLK2, DR2PRI, DR2SEC, RSCLK2, RFS2, TFS2, DT3PRI, DT3SEC, TSCLK3, DR3PRI, DR3SEC, RSCLK3, RFS3, TFS3, CANTX, CANRX, RFS0, RFS1, RSCLK0, RSCLK1, TSCLK0, TSCLK1, CLKOUT, TX0, SA10, \overline{SCAS} , SCK0, SCKE, \overline{SMS} , \overline{SRAS} , \overline{SWE} , and TMR2-0.

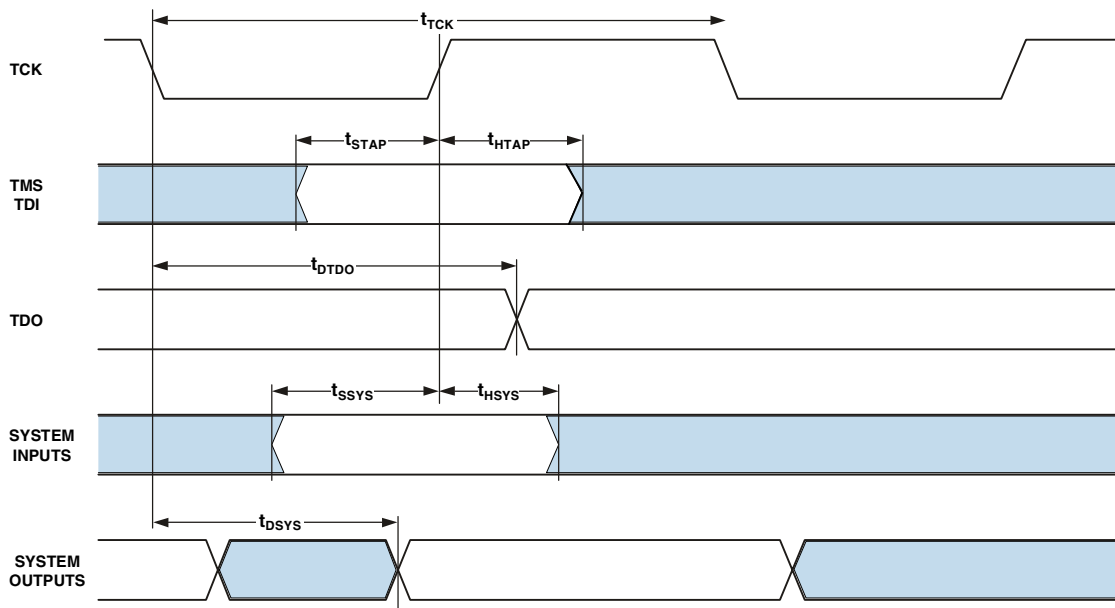


Figure 29. JTAG Port Timing

OUTPUT DRIVE CURRENTS

Figure 30 through Figure 37 on Page 45 shows typical current-voltage characteristics for the output drivers of the ADSP-BF538/ADSP-BF538F processors. The curves represent the current drive capability of the output drivers as a function of output voltage.

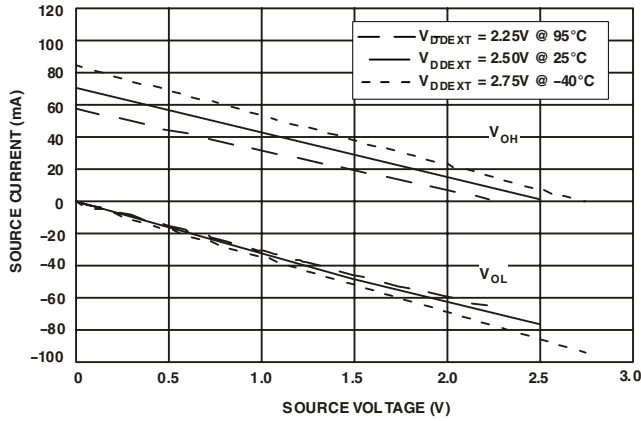


Figure 30. Drive Current A (Low V_{DDEXT})

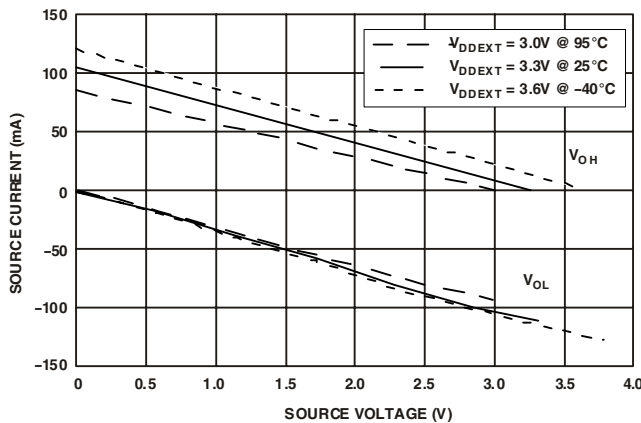


Figure 31. Drive Current A (High V_{DDEXT})

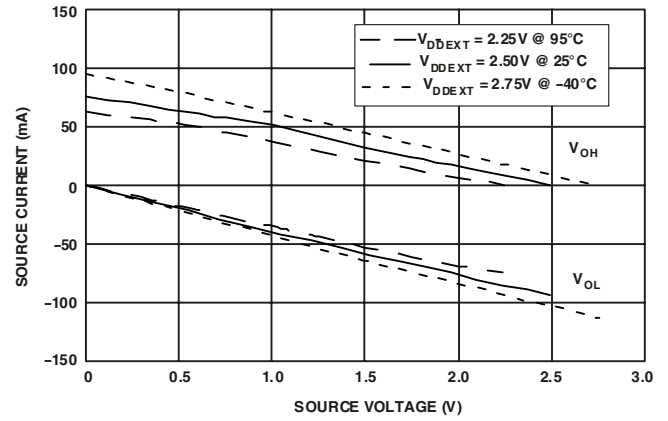


Figure 32. Drive Current B (Low V_{DDEXT})

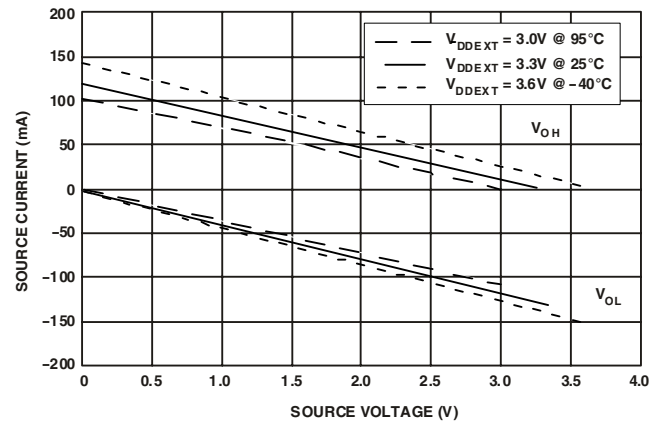


Figure 33. Drive Current B (High V_{DDEXT})

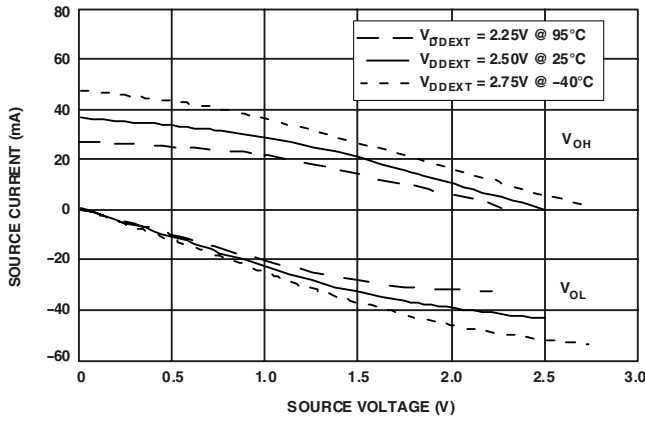


Figure 34. Drive Current C (Low V_{DDEXT})

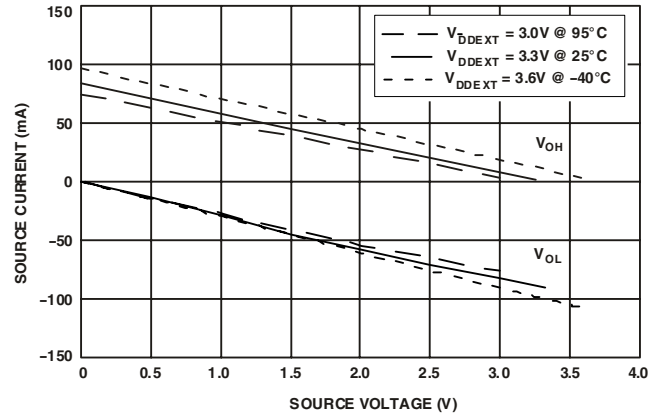


Figure 37. Drive Current D (High V_{DDEXT})

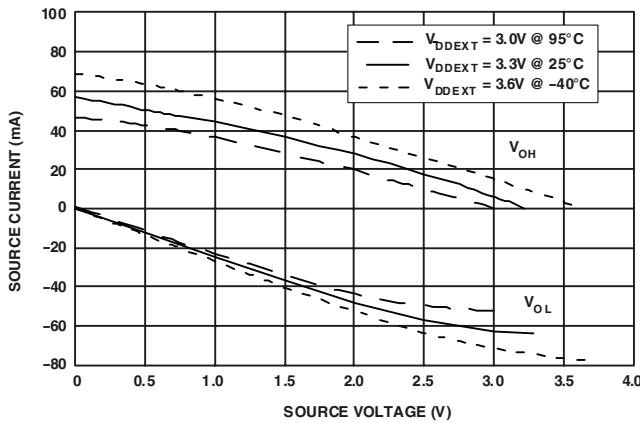


Figure 35. Drive Current C (High V_{DDEXT})

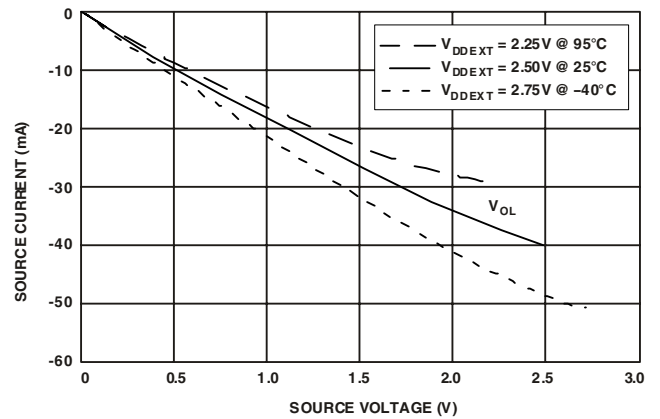


Figure 38. Drive Current E (Low V_{DDEXT})

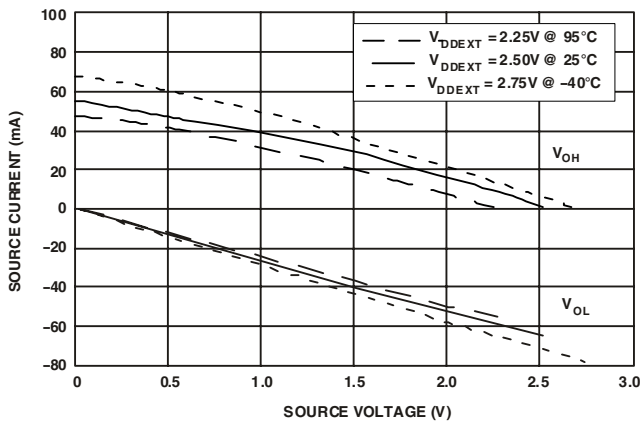


Figure 36. Drive Current D (Low V_{DDEXT})

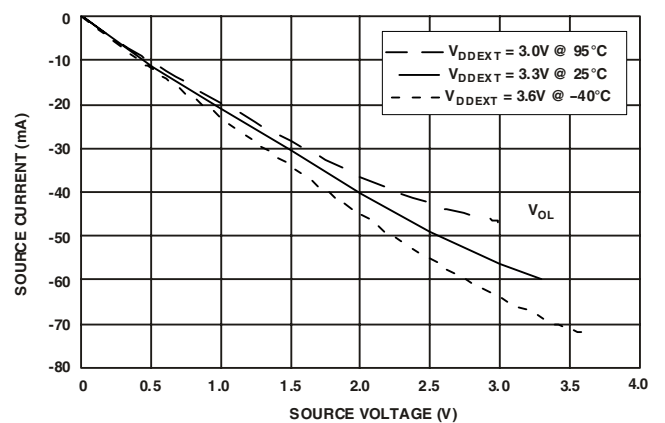


Figure 39. Drive Current E (High V_{DDEXT})

POWER DISSIPATION

Total power dissipation has two components: one due to internal circuitry (P_{INT}) and one due to the switching of external output drivers (P_{EXT}). Table 33 through Table 35 show the power dissipation for internal circuitry (V_{DDINT}).

See the *ADSP-BF53x Blackfin Processor Hardware Reference Manual* for definitions of the various operating -modes and for instructions on how to minimize system power.

Many operating conditions can affect power dissipation. System designers should refer to *EE-TBD: Estimating Power for ADSP-BF538/ADSP-BF538F Blackfin Processors*.² This document will provide detailed information for optimizing your design for lowest power.

Table 33. Internal Power Dissipation (Hibernate mode)

	I_{DD} (nominal ¹)	Unit
$I_{DDHIBERNATE}$ ²	TBD	μA
I_{DDRTC} ³	TBD	μA

¹ Nominal assumes an operating temperature of 25°C.

² Measured at $V_{DDEXT} = 3.65$ V with voltage regulator off ($V_{DDINT} = 0$ V).

³ Measured at $V_{DDRTC} = 3.3$ V at 25°C.

Table 34. Internal Power Dissipation (Deep Sleep mode)

V_{DDINT} ¹	I_{DD} (nominal ²)	Unit
0.80	19.00	mA
0.90	25.00	mA
1.00	32.00	mA
1.10	40.00	mA
1.26	54.00	mA

¹ Assumes V_{DDINT} is regulated externally.

² Nominal assumes an operating temperature of 25°C.

Table 35. Internal Power Dissipation (Full On¹ mode)

V_{DDINT} ² @ f_{CLK} (MHz)	I_{DD} (nominal ³)	Unit
0.8 @ 50 MHz	32.00	mA
0.8 @ 250 MHz	72.00	mA
0.9 @ 300 MHz	98.00	mA
1.0 @ 350 MHz	132.00	mA
1.1 @ 444 MHz	180.00	mA
1.26 @ 500 MHz	235.00	mA

¹ Processor executing 75% dual MAC, 25% ADD with moderate data bus activity.

² Assumes V_{DDINT} is regulated externally.

³ Nominal assumes an operating temperature of 25°C.

TEST CONDITIONS

All timing parameters appearing in this data sheet were measured under the conditions described in this section. Figure 40 shows the measurement point for AC measurements (except output enable/disable). The measurement point V_{MEAS} is 1.5 V for V_{DDEXT} (nominal) = 2.5/3.3 V.

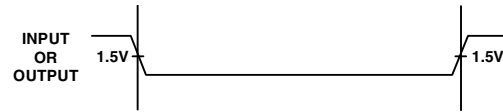


Figure 40. Voltage Reference Levels for AC Measurements (Except Output Enable/Disable)

Output Enable Time Measurement

Output pins are considered to be enabled when they have made a transition from a high impedance state to the point when they start driving.

The output enable time t_{ENA} is the interval from the point when a reference signal reaches a high or low voltage level to the point when the output starts driving as shown on the right side of Figure 41, “Output Enable/Disable,” on page 47.

The time $t_{ENA_MEASURED}$ is the interval, from when the reference signal switches, to when the output voltage reaches $V_{TRIP}(high)$ or $V_{TRIP}(low)$. $V_{TRIP}(high)$ is 2.0 V and $V_{TRIP}(low)$ is 1.0 V for V_{DDEXT} (nominal) = 2.5/3.3 V. Time t_{TRIP} is the interval from when the output starts driving to when the output reaches the $V_{TRIP}(high)$ or $V_{TRIP}(low)$ trip voltage.

Time t_{ENA} is calculated as shown in the equation:

$$t_{ENA} = t_{ENA_MEASURED} - t_{TRIP}$$

If multiple pins (such as the data bus) are enabled, the measurement value is that of the first pin to start driving.

Output Disable Time Measurement

Output pins are considered to be disabled when they stop driving, go into a high impedance state, and start to decay from their output high or low voltage. The output disable time t_{DIS} is the difference between $t_{DIS_MEASURED}$ and t_{DECAY} as shown on the left side of Figure 41.

$$t_{DIS} = t_{DIS_MEASURED} - t_{DECAY}$$

The time for the voltage on the bus to decay by ΔV is dependent on the capacitive load C_L and the load current I_L . This decay time can be approximated by the equation:

$$t_{DECAY} = (C_L \Delta V) / I_L$$

The time t_{DECAY} is calculated with test loads C_L and I_L , and with ΔV equal to 0.5 V for V_{DDEXT} (nominal) = 2.5/3.3 V.

The time $t_{DIS+_MEASURED}$ is the interval from when the reference signal switches, to when the output voltage decays ΔV from the measured output high or output low voltage.

Example System Hold Time Calculation

To determine the data output hold time in a particular system, first calculate t_{DECAY} using the equation given above. Choose ΔV to be the difference between the ADSP-BF538/ADSP-BF538F processor's output voltage and the input threshold for the device requiring the hold time. C_L is the total bus capacitance (per data line), and I_L is the total leakage or three-state current (per data line). The hold time will be t_{DECAY} plus the various output disable times as specified in the [Timing Specifications on Page 24](#) (for example t_{DSDAT} for an SDRAM write cycle as shown in [Table 20 on Page 29](#)).

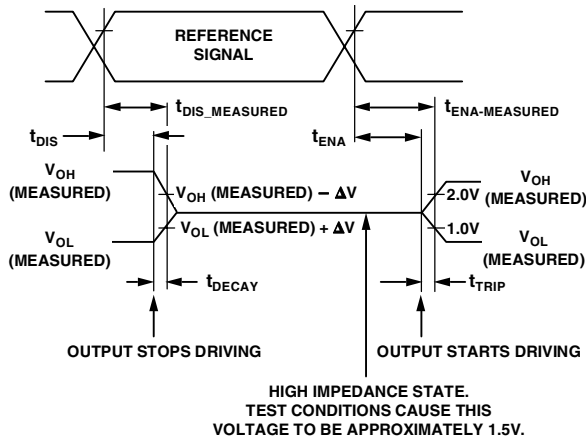


Figure 41. Output Enable/Disable

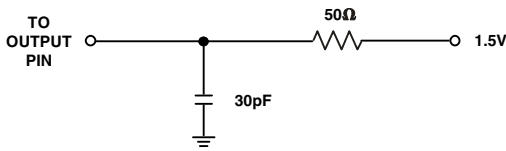


Figure 42. Equivalent Device Loading for AC Measurements (Includes All Fixtures)

Capacitive Loading

Output delays and holds are based on standard capacitive loads: 30 pF on all pins (see [Figure 42](#)). V_{LOAD} is 1.5 V for V_{DDEXT} (nominal) = 2.5/3.3 V. [Figure 43](#) through [Figure 52 on Page 49](#) show how output rise time varies with capacitance. The delay and hold specifications given should be derated by a factor derived from these figures. The graphs in these figures may not be linear outside the ranges shown.

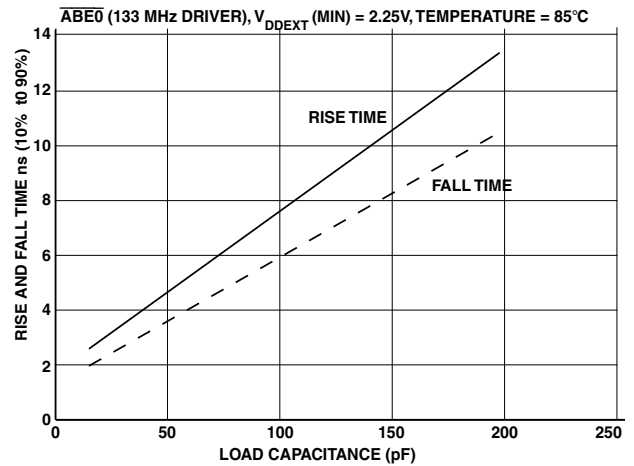


Figure 43. Typical Output Delay or Hold for Driver A at V_{DDEXT} MIN

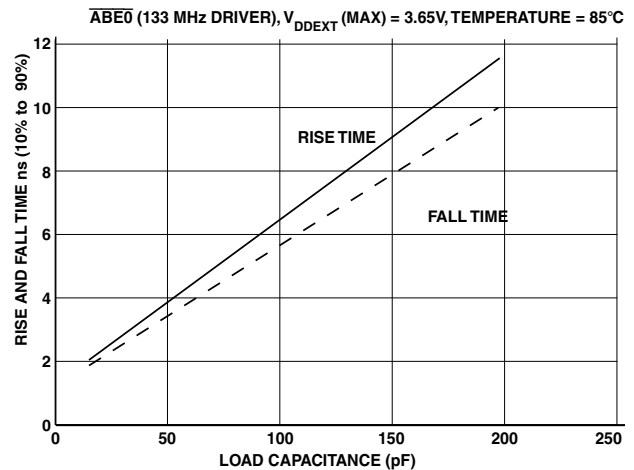


Figure 44. Typical Output Delay or Hold for Driver A at V_{DDEXT} MAX

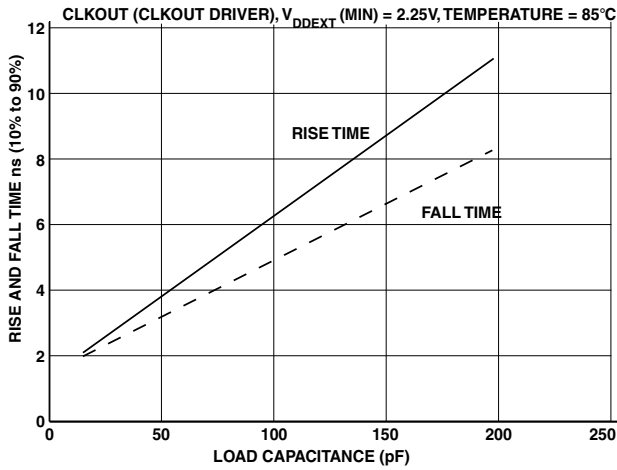


Figure 45. Typical Output Delay or Hold for Driver B at $V_{DDEXT\ MIN}$

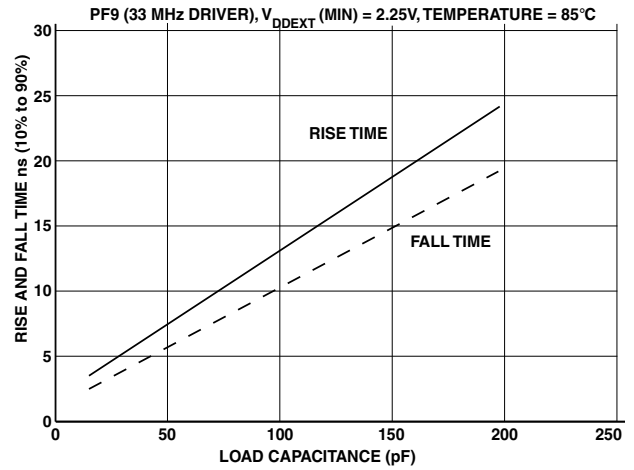


Figure 47. Typical Output Delay or Hold for Driver C at $V_{DDEXT\ MIN}$

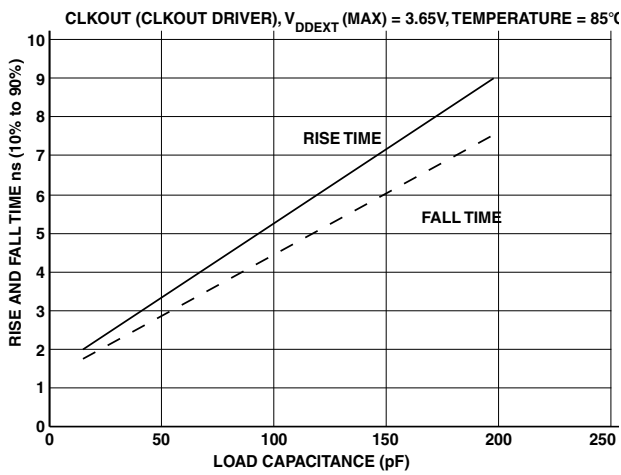


Figure 46. Typical Output Delay or Hold for Driver B at $V_{DDEXT\ MAX}$

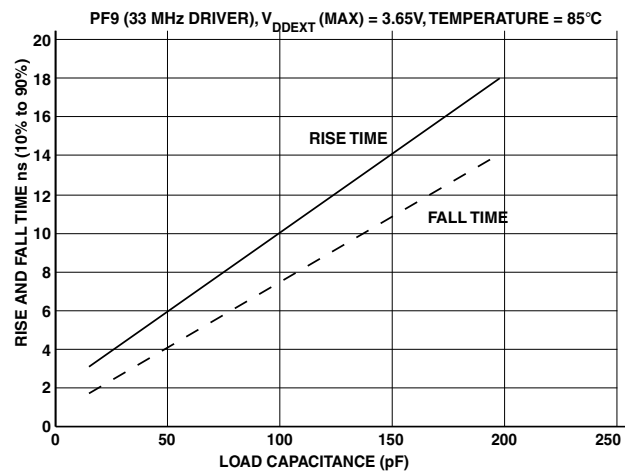


Figure 48. Typical Output Delay or Hold for Driver C at $V_{DDEXT\ MAX}$

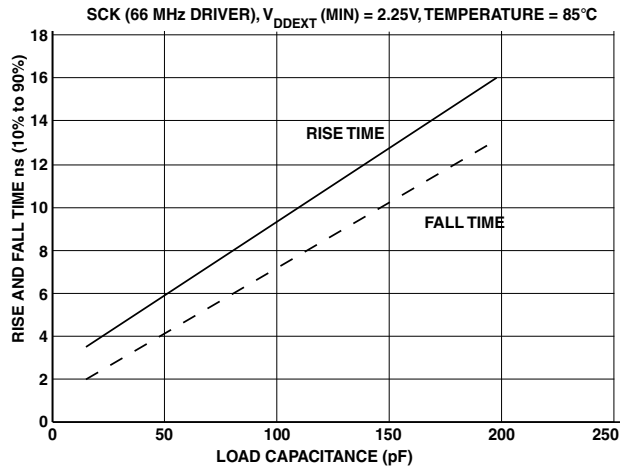


Figure 49. Typical Output Delay or Hold for Driver D at $V_{DDEXT\ MIN}$

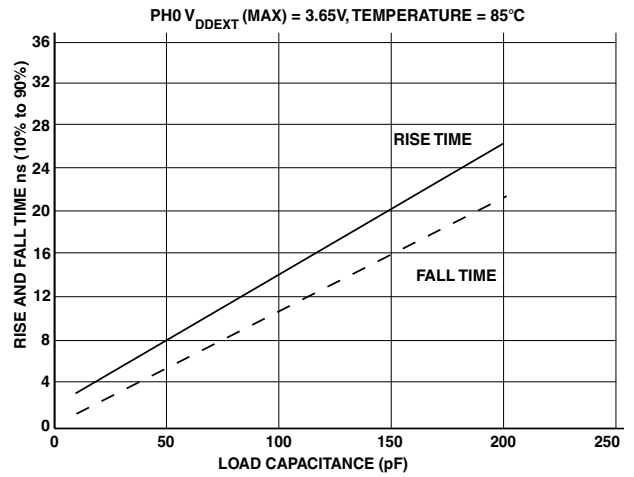


Figure 51. Typical Output Delay or Hold for Driver E at $V_{DDEXT\ MIN}$

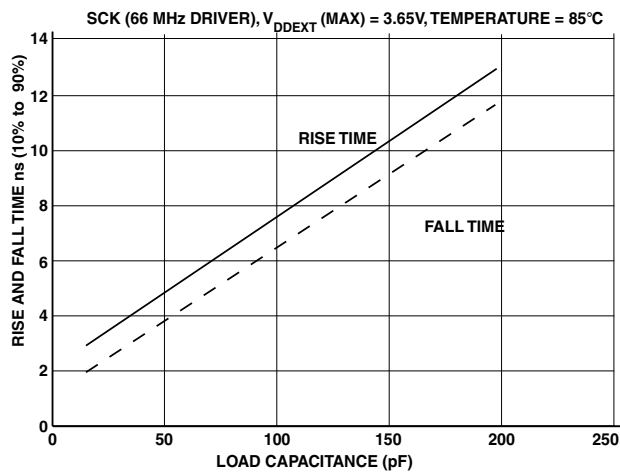


Figure 50. Typical Output Delay or Hold for Driver D at $V_{DDEXT\ MAX}$

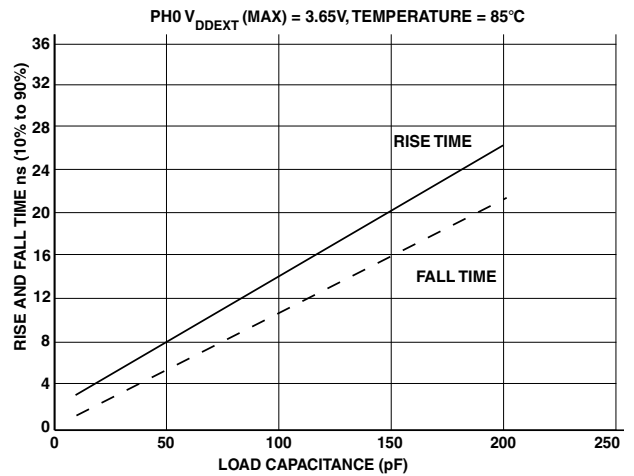


Figure 52. Typical Output Delay or Hold for Driver E at $V_{DDEXT\ MAX}$

THERMAL CHARACTERISTICS

To determine the junction temperature on the application printed circuit board use:

$$T_J = T_{CASE} + (\Psi_{JT} \times P_D)$$

where:

T_J = Junction temperature (°C)

T_{CASE} = Case temperature (°C) measured by customer at top center of package.

Ψ_{JT} = From [Table 36](#)

P_D = Power dissipation (see [Power Dissipation on Page 46](#) for the method to calculate P_D)

Values of θ_{JA} are provided for package comparison and printed circuit board design considerations. θ_{JA} can be used for a first order approximation of T_J by the equation:

$$T_J = T_A + (\theta_{JA} \times P_D)$$

where:

T_A = Ambient temperature (°C)

Values of θ_{JC} are provided for package comparison and printed circuit board design considerations when an external heatsink is required.

Values of θ_{JB} are provided for package comparison and printed circuit board design considerations.

In [Table 36](#), airflow measurements comply with JEDEC standards JESD51-2 and JESD51-6, and the junction-to-board measurement complies with JESD51-8. The junction-to-case measurement complies with MIL-STD-883 (Method 1012.1). All measurements use a 2S2P JEDEC test board.

Table 36. Thermal Characteristics 316-ball BGA

Parameter	Condition	Typical	Unit
θ_{JA}	0 linear m/s air flow	TBD	°C/W
θ_{JMA}	1 linear m/s air flow	TBD	°C/W
θ_{JMA}	2 linear m/s air flow	TBD	°C/W
θ_{JB}		TBD	°C/W
θ_{JC}		TBD	°C/W
Ψ_{JT}	0 linear m/s air flow	TBD	°C/W

316-BALL MINI-BGA PINOUT

Table 37 on Page 52 lists the mini-BGA pinout by pin number.
 Table 38 on Page 53 lists the mini-BGA pinout by signal.

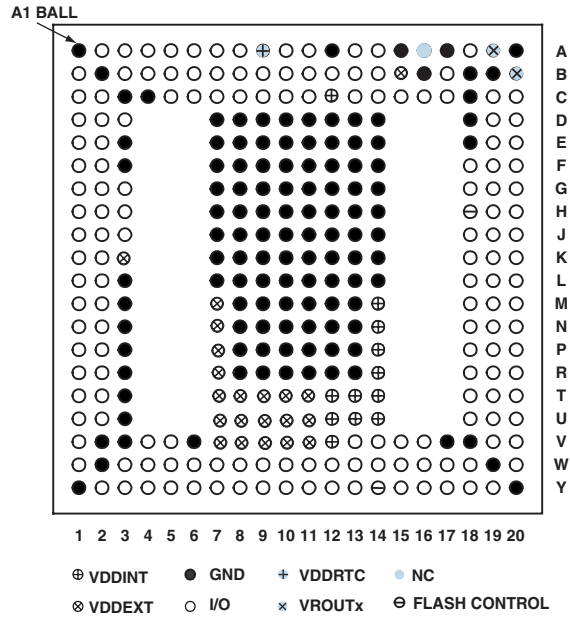


Figure 53. 316-Ball Mini-BGA Pin Configuration (Top View)

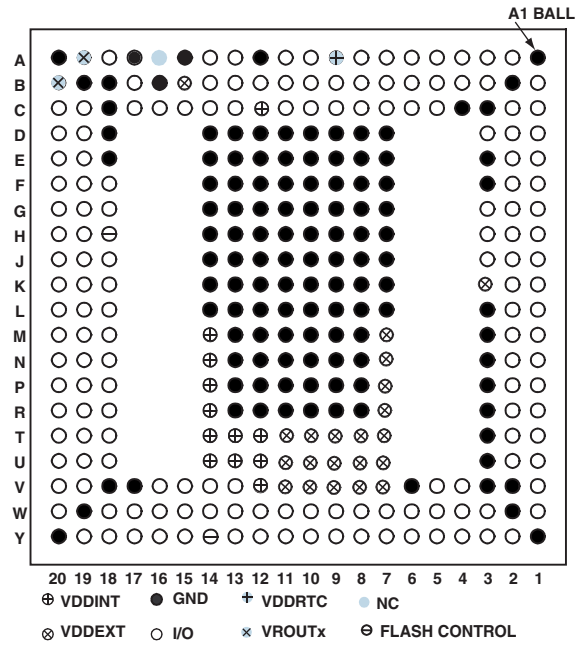


Figure 54. 316-Ball Mini-BGA Pin Configuration (Bottom View)

Table 37. 316-Ball Mini-BGA Pin Assignment (Numerically by Pin Number)

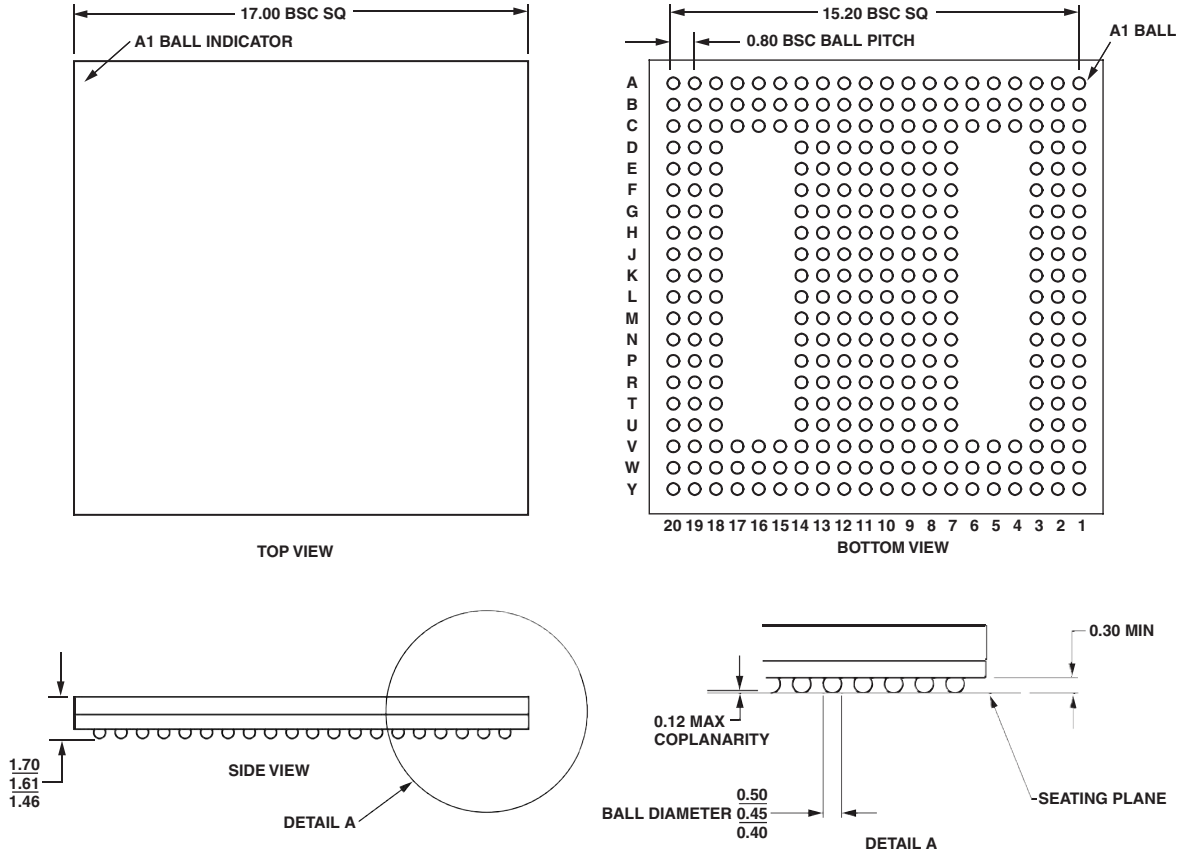
Ball No.	Signal	Ball No.	Signal	Ball No.	Signal	Ball No.	Signal	Ball No.	Signal	Ball No.	Signal	Ball No.	Signal
A1	GND	C7	SPI2SEL	F8	GND	J12	GND	M19	ABE0	T3	GND	W1	TCK
A2	PF10	C8	SPI2SS	F9	GND	J13	GND	M20	ABE1	T7	VDDEXT	W2	GND
A3	PF11	C9	MOSI2	F10	GND	J14	GND	N1	TFS0	T8	VDDEXT	W3	DATA15
A4	PPI_CLK	C10	MISO2	F11	GND	J18	AMS0	N2	DR0PRI	T9	VDDEXT	W4	DATA13
A5	PPI0	C11	SCK2	F12	GND	J19	AMS2	N3	GND	T10	VDDEXT	W5	DATA11
A6	PPI2	C12	VDDINT	F13	GND	J20	SA10	N7	VDDEXT	T11	VDDEXT	W6	DATA9
A7	PF15	C13	SPI1SEL	F14	GND	K1	RFS1	N8	GND	T12	VDDINT	W7	DATA7
A8	PF13	C14	MISO1	F18	DT3PRI	K2	TMR2	N9	GND	T13	VDDINT	W8	DATA5
A9	VDDRTC	C15	SPI1SS	F19	PC4	K3	VDDEXT	N10	GND	T14	VDDINT	W9	DATA3
A10	RTXO	C16	MOSI1	F20	PC8	K7	GND	N11	GND	T18	RFS3	W10	DATA1
A11	RTXI	C17	SCK1	G1	SCK0	K8	GND	N12	GND	T19	ADDR7	W11	RSCK2
A12	GND	C18	GND	G2	MOSI0	K9	GND	N13	GND	T20	ADDR8	W12	DR2PRI
A13	CLKIN	C19	PC6	G3	DT0SEC	K10	GND	N14	VDDINT	U1	TRST	W13	DT2PRI
A14	XTAL	C20	SCKE	G7	GND	K11	GND	N18	DT3SEC	U2	TMS	W14	RX2
A15	GND	D1	PF4	G8	GND	K12	GND	N19	ADDR1	U3	GND	W15	TX2
A16	NC	D2	PF5	G9	GND	K13	GND	N20	ADDR2	U7	VDDEXT	W16	ADDR18
A17	GND	D3	DT1SEC	G10	GND	K14	GND	P1	TSCK0	U8	VDDEXT	W17	ADDR15
A18	GPW	D7	GND	G11	GND	K18	AMS3	P2	RFS0	U9	VDDEXT	W18	ADDR13
A19	VROUT1	D8	GND	G12	GND	K19	AMS1	P3	GND	U10	VDDEXT	W19	GND
A20	GND	D9	GND	G13	GND	K20	AOE	P7	VDDEXT	U11	VDDEXT	W20	ADDR14
B1	PF8	D10	GND	G14	GND	L1	RSCK1	P8	GND	U12	VDDINT	Y1	GND
B2	GND	D11	GND	G18	BR	L2	TMR1	P9	GND	U13	VDDINT	Y2	TDO
B3	PF9	D12	GND	G19	CLKOUT	L3	GND	P10	GND	U14	VDDINT	Y3	DATA14
B4	PF3	D13	GND	G20	SRA5	L7	GND	P11	GND	U18	RSCK3	Y4	DATA12
B5	PPI1	D14	GND	H1	DT1PRI	L8	GND	P12	GND	U19	ADDR9	Y5	DATA10
B6	PPI3	D18	GND	H2	TSCK1	L9	GND	P13	GND	U20	ADDR10	Y6	DATA8
B7	PF14	D19	PC7	H3	DR1SEC	L10	GND	P14	VDDINT	V1	TDI	Y7	DATA6
B8	PF12	D20	SMS	H7	GND	L11	GND	P18	DR3SEC	V2	GND	Y8	DATA4
B9	SCL0	E1	PF1	H8	GND	L12	GND	P19	ADDR3	V3	GND	Y9	DATA2
B10	SDA0	E2	PF2	H9	GND	L13	GND	P20	ADDR4	V4	BMODE1	Y10	DATA0
B11	CANRX	E3	GND	H10	GND	L14	GND	R1	TX0	V5	BMODE0	Y11	RF52
B12	CANTX	E7	GND	H11	GND	L18	TSCK3	R2	RSCK0	V6	GND	Y12	TSCK2
B13	NMI	E8	GND	H12	GND	L19	ARE	R3	GND	V7	VDDEXT	Y13	TFS2
B14	RESET	E9	GND	H13	GND	L20	AWE	R7	VDDEXT	V8	VDDEXT	Y14	FRESET
B15	VDDEXT	E10	GND	H14	GND	M1	DT0PRI	R8	GND	V9	VDDEXT	Y15	SCL1
B16	GND	E11	GND	H18	FCE	M2	TMRO	R9	GND	V10	VDDEXT	Y16	SDA1
B17	PC9	E12	GND	H19	SCAS	M3	GND	R10	GND	V11	VDDEXT	Y17	ADDR19
B18	GND	E13	GND	H20	SWE	M7	VDDEXT	R11	GND	V12	VDDINT	Y18	ADDR17
B19	GND	E14	GND	J1	TFS1	M8	GND	R12	GND	V13	DR2SEC	Y19	ADDR16
B20	VROUT0	E18	GND	J2	DR1PRI	M9	GND	R13	GND	V14	BG	Y20	GND
C1	PF6	E19	PC5	J3	DR0SEC	M10	GND	R14	VDDINT	V15	BGH		
C2	PF7	E20	ARDY	J7	GND	M11	GND	R18	DR3PRI	V16	DT2SEC		
C3	GND	F1	PF0	J8	GND	M12	GND	R19	ADDR5	V17	GND		
C4	GND	F2	MISO0	J9	GND	M13	GND	R20	ADDR6	V18	GND		
C5	RX1	F3	GND	J10	GND	M14	VDDINT	T1	RX0	V19	ADDR11		
C6	TX1	F7	GND	J11	GND	M18	TFS3	T2	EMU	V20	ADDR12		

Table 38. 316-Ball Mini-BGA Pin Assignment (Alphabetically by Signal)

Signal	Ball No.	Signal	Ball No.	Signal	Ball No.	Signal	Ball No.	Signal	Ball No.	Signal	Ball No.	Signal	Ball No.
ABE0	M19	DATA2	Y9	GND	E7	GND	K11	GND	V17	RFS0	P2	TX0	R1
ABE1	M20	DATA3	W9	GND	E8	GND	K12	GND	V18	RFS1	K1	TX1	C6
ADDR1	N19	DATA4	Y8	GND	E9	GND	K13	GND	W2	RFS2	Y11	TX2	W15
ADDR10	U20	DATA5	W8	GND	F8	GND	L13	GND	W19	RFS3	T18	VDDEXT	K3
ADDR11	V19	DATA6	Y7	GND	F9	GND	L14	GND	Y1	RSCK0	R2	VDDEXT	B15
ADDR12	V20	DATA7	W7	GND	F10	GND	M3	GND	Y20	RSCK1	L1	VDDEXT	T8
ADDR13	W18	DATA8	Y6	GND	F11	GND	M8	GND	A15	RSCK2	W11	VDDEXT	T9
ADDR14	W20	DATA9	W6	GND	F12	GND	M9	GND	B16	RSCK3	U18	VDDEXT	T10
ADDR15	W17	DR0PRI	N2	GND	F13	GND	M10	GND	A17	RTXI	A11	VDDEXT	T11
ADDR16	Y19	DR0SEC	J3	GND	F14	GND	M11	GPW	A18	RTXO	A10	VDDEXT	U7
ADDR17	Y18	DR1PRI	J2	GND	G7	GND	M12	MISO0	F2	RX0	T1	VDDEXT	U8
ADDR18	W16	DR1SEC	H3	GND	G8	GND	M13	MISO1	C14	RX1	C5	VDDEXT	U9
ADDR19	Y17	DR2PRI	W12	GND	G9	GND	N3	MISO2	C10	RX2	W14	VDDEXT	U10
ADDR2	N20	DR2SEC	V13	GND	E10	GND	K14	MOSI0	G2	SA10	J20	VDDEXT	U11
ADDR3	P19	DR3PRI	R18	GND	E11	GND	L3	MOSI1	C16	SCAS	H19	VDDEXT	V7
ADDR4	P20	DR3SEC	P18	GND	E12	GND	L7	MOSI2	C9	SCK0	G1	VDDEXT	M7
ADDR5	R19	DT0PRI	M1	GND	E13	GND	L8	NC	A16	SCK1	C17	VDDEXT	N7
ADDR6	R20	DT0SEC	G3	GND	E14	GND	L9	NMI	B13	SCK2	C11	VDDEXT	P7
ADDR7	T19	DT1PRI	H1	GND	E18	GND	L10	PC4	F19	SCKE	C20	VDDEXT	R7
ADDR8	T20	DT1SEC	D3	GND	F3	GND	L11	PC5	E19	SCL0	B9	VDDEXT	T7
ADDR9	U19	DT2PRI	W13	GND	F7	GND	L12	PC6	C19	SCL1	Y15	VDDEXT	V8
AMS0	J18	DT2SEC	V16	GND	G10	GND	N8	PC7	D19	SDA0	B10	VDDEXT	V9
AMS1	K19	DT3PRI	F18	GND	G11	GND	N9	PC8	F20	SDA1	Y16	VDDEXT	V10
AMS2	J19	DT3SEC	N18	GND	G12	GND	N10	PC9	C17	SMS	D20	VDDEXT	V11
AMS3	K18	EMU	T2	GND	G13	GND	N11	PF0	F1	SPI1SEL	C13	VDDINT	C12
AOE	K20	FCE	H18	GND	G14	GND	N12	PF1	E1	SPI1SS	C15	VDDINT	M14
ARDY	E20	FRESET	Y14	GND	H7	GND	N13	PF10	A2	SPI2SEL	C7	VDDINT	N14
ARE	L19	GND	A1	GND	H8	GND	P3	PF11	A3	SPI2SS	C8	VDDINT	P14
AWE	L20	GND	A12	GND	H9	GND	P8	PF12	B8	SRAS	G20	VDDINT	R14
BG	V14	GND	A20	GND	H10	GND	P9	PF13	A8	SWE	H20	VDDINT	T12
BGH	V15	GND	B2	GND	H11	GND	P10	PF14	B7	TCK	W1	VDDINT	T13
BMODE0	V5	GND	B18	GND	H12	GND	P11	PF15	A7	TDI	V1	VDDINT	T14
BMODE1	V4	GND	B19	GND	H13	GND	P12	PF2	E2	TDO	Y2	VDDINT	U12
BR	G18	GND	C3	GND	H14	GND	P13	PF3	B4	TFS0	N1	VDDINT	U13
CANRX	B11	GND	C4	GND	J7	GND	R3	PF4	D1	TFS1	J1	VDDINT	U14
CANTX	B12	GND	C18	GND	J8	GND	R8	PF5	D2	TFS2	Y13	VDDINT	V12
CLKIN	A13	GND	D7	GND	J9	GND	R9	PF6	C1	TFS3	M18	VDDRTC	A9
CLKOUT	G19	GND	D8	GND	J10	GND	R10	PF7	C2	TMR0	M2	VROUT0	B20
DATA0	Y10	GND	D9	GND	J11	GND	R11	PF8	B1	TMR1	L2	VROUT1	A19
DATA1	W10	GND	D10	GND	J12	GND	R12	PF9	B3	TMR2	K2	XTAL	A14
DATA10	Y5	GND	D11	GND	J13	GND	R13	PPI_CLK	A4	TMS	U2		
DATA11	W5	GND	D12	GND	J14	GND	T3	PPI0	A5	TRST	U1		
DATA12	Y4	GND	D13	GND	K7	GND	U3	PPI1	B5	TSCK0	P1		
DATA13	W4	GND	D14	GND	K8	GND	V2	PPI2	A6	TSCK1	H2		
DATA14	Y3	GND	D18	GND	K9	GND	V3	PPI3	B6	TSCK2	Y12		
DATA15	W3	GND	E3	GND	K10	GND	V6	RESET	B14	TSCK3	L18		

OUTLINE DIMENSIONS

Dimensions in Figure 55—316-Ball Mini Ball Grid Array (BC-316) are shown in millimeters.



- NOTES:
1. ALL DIMENSIONS ARE IN MILLIMETERS.
 2. COMPLIANT TO JEDEC REGISTERED OUTLINE MO-205, VARIATION AM, WITH THE EXCEPTION OF BALL DIAMETER.
 3. CENTER DIMENSIONS ARE NOMINAL.

Figure 55. 316-Ball Mini Ball Grid Array (BC-316)

SURFACE MOUNT DESIGN

Table 39 is provided as an aid to PCB design. For industry-standard design recommendations, refer to IPC-7351, *Generic Requirements for Surface Mount Design and Land Pattern Standard*.

Table 39. BGA Data for Use with Surface Mount Design

Package	Ball Attach Type	Solder Mask Opening	Ball Pad Size
316-Ball Mini Ball Grid Array (BC-316)	Solder Mask Defined	0.40 mm diameter	0.50 mm diameter

ORDERING GUIDE

Model ¹	Temperature Range ²	Instruction Rate (Max)	Flash Memory	Operating Voltage (Nominal)	Package Description	Package Option
ADSP-BF538BBCZ-4A	-40°C to +85°C	400 MHz	NA	1.2 V internal, 2.5 V or 3.3 V I/O	316-Ball Mini BGA	BC-316
ADSP-BF538BBCZ-4F4	-40°C to +85°C	400 MHz	512K byte	1.2 V internal, 2.5 V or 3.3 V I/O	316-Ball Mini BGA	BC-316
ADSP-BF538BBCZ-4F8	-40°C to +85°C	400 MHz	1M byte	1.2 V internal, 2.5 V or 3.3 V I/O	316-Ball Mini BGA	BC-316
ADSP-BF538BBCZ-5A	-40°C to +85°C	500 MHz	NA	1.2 V internal, 2.5 V or 3.3 V I/O	316-Ball Mini BGA	BC-316
ADSP-BF538BBCZ-5F4	-40°C to +85°C	500 MHz	512K byte	1.2 V internal, 2.5 V or 3.3 V I/O	316-Ball Mini BGA	BC-316
ADSP-BF538BBCZ-5F8	-40°C to +85°C	500 MHz	1M byte	1.2 V internal, 2.5 V or 3.3 V I/O	316-Ball Mini BGA	BC-316

¹Z = Pb-free part.

²Referenced temperature is ambient temperature.

