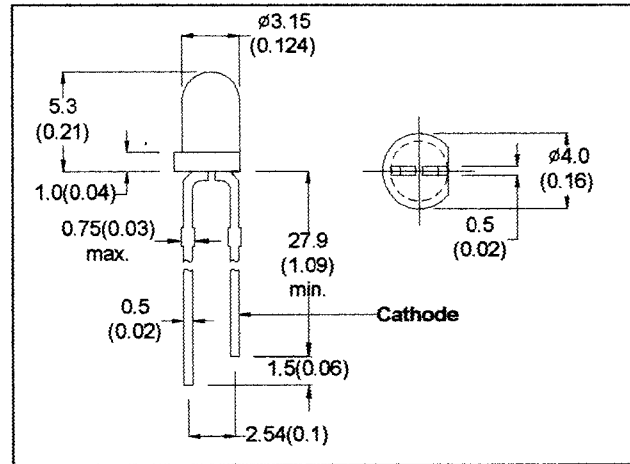


DESCRIPTION

MSB31TK-0 is an ultra high brightness output red GaAlAs LED lamp encapsulated in a 3mm diameter clear transparent lens.



- All Dimension in mm (inch)
- No Scale
- Tol : +/- 0.3mm

ABSOLUTE MAXIMUM RATINGS

| | |
|----------------------------------------------|------------------|
| Power Dissipation @Ta=25°C | 100mW |
| Forward Current, DC (IF) | 40mA |
| Reverse Voltage | 5V |
| Operating & Storage Temperature Range | -55 to +100°C |
| Lead Soldering Temperature (1/16" from body) | 260°C for 5 sec. |

ELECTRO-OPTICAL CHARACTERISTICS (Ta=25°C)

| PARAMETER | SYMBOL | MIN | TYP | MAX | UNIT | CONDITIONS |
|---------------------------|--------|-----|-----|-----|--------|------------|
| Forward Voltage | VF | | 1.8 | 2.4 | V | IF=20mA |
| Reverse Breakdown Voltage | BVR | 5 | | | V | IR=100μA |
| Luminous Intensity | IV | 40 | 70 | | mcd | IF=20mA |
| Peak Wavelength | λp | | 660 | | nm | IF=20mA |
| Spectral Line Half Width | Δλ | | 20 | | nm | IF=20mA |
| Viewing Angle | 2θ 1/2 | | 45 | | degree | IF=20mA |

MSB31TK-0

