

SPECIFICATION

(TENTATIVE)

Product Name : IGBT Module (Power Integrated Module)

Type Name : 6MBR10PD120

Spec. No. : **MT6M1815**

This material and the information herein is the property of Fuji Electric Co. Ltd. They shall be neither reproduced, copied, lent, or disclosed in any way whatsoever for the use of any third party, not used for the manufacturing purposes without the express written consent of Fuji Electric Co. Ltd.

Fuji Electric Co., Ltd. (Matsumoto Factory)

This specification is subject to change without notice.

	DATE	NAME	APPROVED	
DRAWN	Mar - 4 - 97	Y. Arita		Fuji Electric Co., Ltd.
CHECKED	Mar. - 6 - 97	S. Myohta		
REVISIONS			S.K.	DWG. NO. MT6M1815 1/5

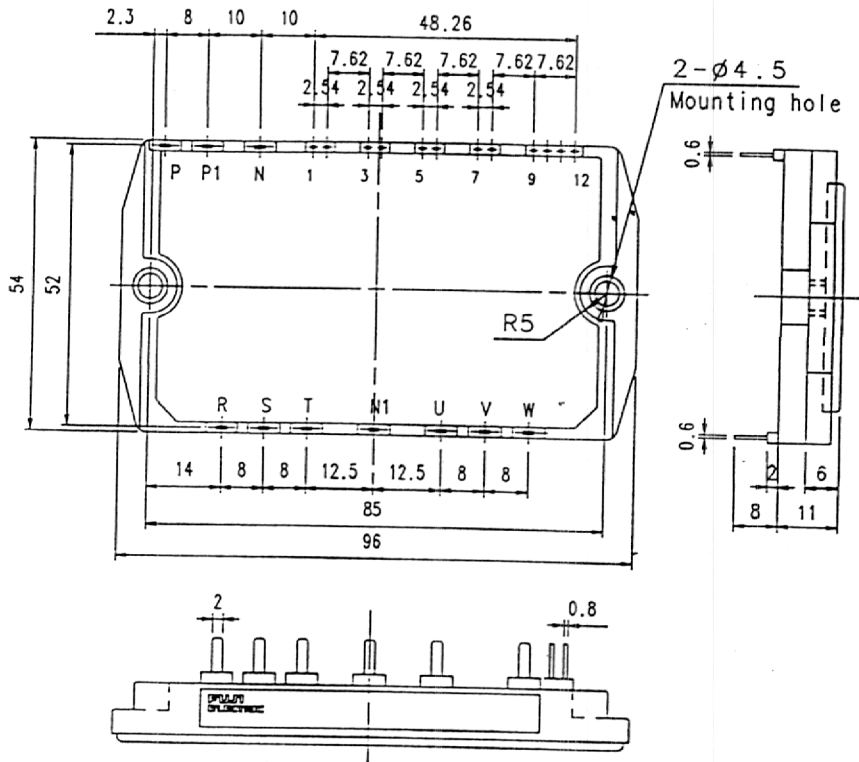
6 M B R 1 0 P D 1 2 0

(TENTATIVE)

1. Outline Drawing

Unit : mm

*Isolation Voltage (Terminal to Case) : AC 2500V 1 minute

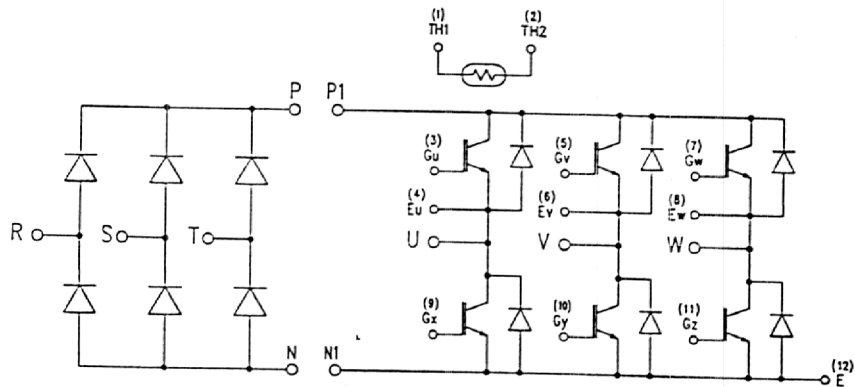


This material and the information herein is the property of Fuji Electric Co. Ltd. They shall be neither reproduced, copied, lent, or disclosed in any way whatsoever for the use of any third party, nor used for the manufacturing purposes without the express written consent of Fuji Electric Co., Ltd.

2. Equivalent Circuit of Module

[Converter]

[Inverter]



*This specification is changed without notes.

Fuji Electric Co., Ltd.

DWG. NO.

MT6M1815

2/5

3. Absolute Maximum Ratings (Tc=25°C unless without specified)

Items		Symbols	Conditions	Maximum Ratings	Units
Inverter	Collector-Emitter Voltage	V _{CES}		1200	V
	Gate-Emitter Voltage	V _{GES}		±20	V
	Collector Current	I _C	Continuous	10	A
		I _{CP}	1ms	20	A
		-I _C		10	A
Collector Power Dissipation	P _C	1 device	80	W	
Converter	Repetitive Peak Reverse Voltage	V _{RRM}		1600	V
	Average Output Current	I _O		25	A
	Surge Current (Non-Repetitive)	I _{FSM}	T _j =150°C, ^{8.3} 10ms	286	A
	I ² t (Non-Repetitive)		T _j =150°C, ^{8.3} 10ms	340	A ² s
Operating Junction Temperature		T _j		+ 150	°C
Storage Temperature		T _{stg}		-40 ~ +125	°C
Isolation Voltage		Viso	AC : 1 minute	AC 2500	V
Mounting Screw Torque (*1)				1.7	N · m

Note : (*1) Recommendable Value : 1.3 ~ 1.7 N · m (M4)

This material and the information herein is the property of Fuji Electric Co., Ltd. They shall be neither reproduced, copied, lent, or disclosed in any way whatsoever for the use of any third party nor used for the manufacturing purposes without the express written consent of Fuji Electric Co., Ltd.

4. Electrical Characteristics (Tj=25°C unless without specified)

Characteristics		Symbols	Conditions	min.	max.	Units
Inverter	Zero gate voltage collector current	I_{CES}	$V_{CE} = 1200V$ $V_{GE} = 0V$		1.0	mA
	Gate-emitter leakage current	I_{GES}	$V_{CE} = 0V$ $V_{GE} = \pm 20V$		200	nA
	Gate-emitter threshold voltage	$V_{GE(th)}$	$V_{CE} = 20V$ $I_C = 10mA$	6.0	9.0	V
	Collector-emitter saturation Voltage	$V_{CE(sat)}$	$V_{GE} = 15V$ $I_C = 10A$		3.0	V
	Collector-Emitter Voltage	$-V_{CE}$	$-I_C = 10A$		3.0	
	Input capacitance	C_{ies}	$V_{GE} = 0V$ $V_{CE} = 10V$ $f = 1MHz$	1400 (typ.)		pF
	Switching Time	t_{on}	$V_{CC} = 600V$ $I_C = 10A$ $V_{GE} = \pm 15V$ $R_G = 120\Omega$		1.2	μs
		t_r			0.6	
		t_{off}			1.0	
		t_f			0.3	
Reverse Recovery Time of FRD	t_{rr}	$I_F = 10A$		350	ns	
Converter	Forward Voltage	V_{FM}	$I_F = 25A$		1.5	V
	Reverse Current	I_{RRM}	$V_R = 1600V$		1	mA
Thermistor						

This material and the information herein is the property of Fuji Electric Co., Ltd. They shall be neither reproduced, copied, lent, or disclosed in any way whatsoever for the use of any third party nor used for the manufacturing purposes without the express written consent of Fuji Electric Co., Ltd.

5. Thermal Characteristics

Characteristics	Symbols	Conditions	min.	max.	Units
Thermal Resistance (1 device)	Rth(j-c)	Inverter IGBT		1.67	°C/W
		Inverter FRD		3.30	
		Converter Diode		1.5	
Contact Thermal Resistance	Rth(c-f)	With Thermal Compound	(typ)	0.05	

This material and the information herein is the property of Fuji Electric Co. Ltd. They shall be neither reproduced, copied, lent, or disclosed in any way whatsoever for the use of any third party nor used for the manufacturing purposes without the express written consent of Fuji Electric Co., Ltd.

Fuji Electric Co., Ltd.

DWG. NO.

MT6M1815

5/5
