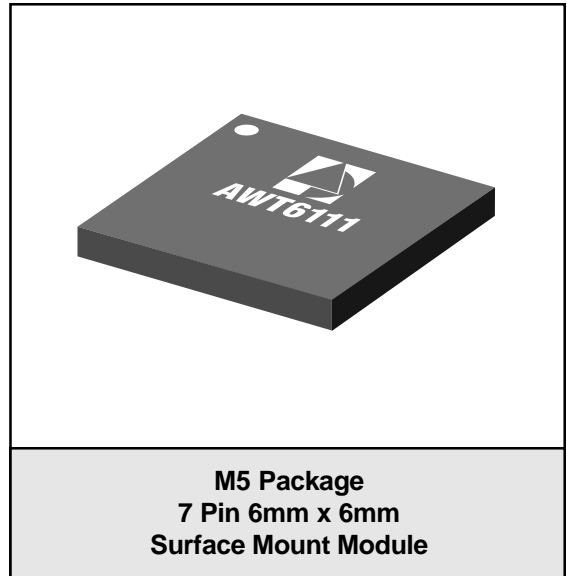


FEATURES

- InGaP HBT Technology
- High Efficiency 47% AMPS
- High Efficiency 37% CDMA
- Low Leakage Current (<5 μ A)
- SMT Module Package
- Small Foot Print (6mm x 6mm)
- Low Profile (1.5mm)
- 50 Ω Input and Output Matching
- Low Quiescent Current ($I_{cq} = 47$ mA Typ)
- Supports Lower Battery Voltage ($V_{REF} = 2.75$ V min)
- Shut Down and Mode Control
- CDMA 2000 1XRTT Compliant

APPLICATIONS

- 800 MHz Single Mode CDMA Wireless Handsets for China, Korea, and India
- Dual Mode AMPS/CDMA Wireless Handsets



PRODUCT DESCRIPTION

The AWT6111 is a high power, high efficiency amplifier module for Dual Mode CDMA/AMPS wireless handset applications. The device is manufactured on an advanced InGaP HBT MMIC technology offering state-of-the-art reliability, temperature stability and ruggedness. A low power

quiescent current mode is digitally controlled to reduce power drain on the system battery. The 6mm x 6mm laminate package is self contained, incorporating 50 Ω input and output matching networks optimized for output power, linearity, and efficiency.

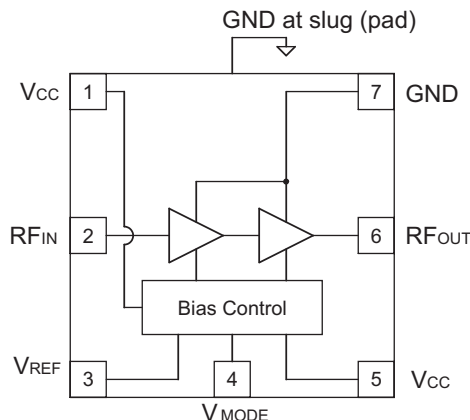


Figure 1: Block Diagram

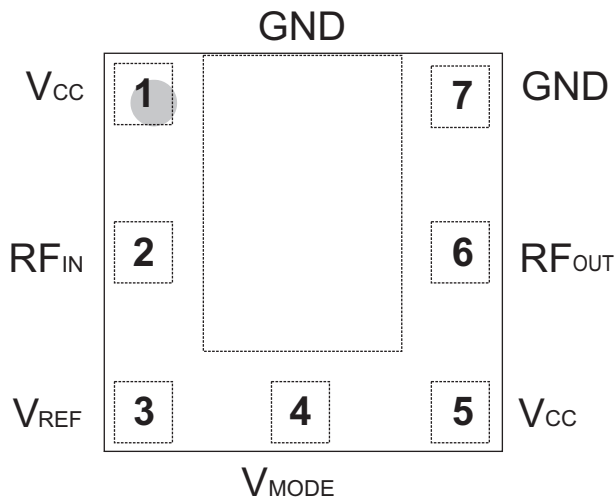


Figure 2: Pinout (X-ray Top View)

Table 1: Pin Description

PIN	NAME	DESCRIPTION
1	V _{CC}	Supply Voltage
2	RF _{IN}	RF Input Signal
3	V _{REF}	Reference Voltage
4	V _{MODE}	Mode Control
5	V _{CC}	Supply Voltage
6	RF _{OUT}	RF Output
7	GND	Ground

ELECTRICAL CHARACTERISTICS

Table 2: Absolute Minimum and Maximum Ratings

PARAMETER	MIN	MAX	UNIT
Supply Voltage (V_{CC})	0	+5	V
Mode Control Voltage (V_{MODE})	0	+3.5	V
Reference Voltage (V_{REF})	0	+3.5	V
RF Input Power (P_{IN})	-	+10	dBm
Storage Temperature (T_{STG})	-40	+150	°C

Stresses in excess of the absolute ratings may cause permanent damage. Functional operation is not implied under these conditions. Exposure to absolute ratings for extended periods of time may adversely affect reliability.

Table 3: Operating Ranges

PARAMETER	MIN	TYP	MAX	UNIT	COMMENTS
Operating Frequency (f)	824	-	849	MHz	
Supply Voltage (V_{CC})	+3.0	+3.5	+4.2	V	
Reference Voltage (V_{REF})	+2.75 0	+2.85 -	+3.1 +0.5	V	PA "on" PA "shut down"
Mode Control Voltage (V_{MODE})	+2.5 0	+2.85 -	+3.1 +0.5	V	PA "on" PA "shut down"
RF Output Power (P_{OUT})	- +30 - - -	+31 - +29.0 +28.5 +28.0	- - - - -	dBm	AMPS, V_{CC} =+3.5V AMPS, V_{CC} =+3.0V CDMA, V_{CC} =+3.7V CDMA, V_{CC} =+3.5V CDMA, V_{CC} =+3.2V
Case Temperature (T_C)	-30	-	+110	°C	

The device may be operated safely over these conditions; however, parametric performance is guaranteed only over the conditions defined in the electrical specifications.

Table 4: Electrical Specifications – AMPS Operation
($T_C = +25\text{ }^\circ\text{C}$, $V_{CC} = +3.5\text{ V}$, $V_{REF} = +2.85\text{ V}$, $V_{MODE} = +2.85\text{ V}$, $P_{OUT} = +31\text{ dBm}$, $50\text{ }\Omega$ system)

PARAMETER	MIN	TYP	MAX	UNIT	COMMENTS
Gain	-	28.5	31	dB	
Gain Variation	-	0.3	1.0	dB	
Power-Added Efficiency	42	47	-	%	
Quiescent Current (I_{cq})	-	47	58	mA	through V_{CC} pins
Reference Current	-	5	7	mA	through V_{REF} pin
Mode Control Current	-	0.35	0.55	mA	through V_{MODE} pin
Leakage Current	-	<5	-	μA	$V_{CC} = +3.5\text{ V}$, $V_{REF} = 0\text{ V}$, $V_{MODE} = 0\text{ V}$
Noise in Receive Band	-	-135	-133	dBm/Hz	869 MHz to 894 MHz
Harmonics 2fo 3fo	- - -	-40 -50	-30 -30	dBc	
Input Impedance	-	-	2:1	VSWR	
Spurious Output Level (all spurious outputs)	-	-	-70	dBc	$P_{OUT} \leq +31\text{ dBm}$ In-band load VSWR < 8:1 Out-of-band load VSWR < 8:1 Applies over all voltage and temperature operating ranges
Load mismatch stress with no permanent degradation or failure	8:1	-	-	VSWR	$V_{CC} = +5.0\text{ V}$ $P_{IN} = +5\text{ dBm}$ Applies over full operating temperature range

Table 5: Electrical Specifications – CDMA Operation
($T_C = +25\text{ }^\circ\text{C}$, $V_{CC} = +3.5\text{ V}$, $V_{REF} = +2.85\text{ V}$, $V_{MODE} = +2.85\text{ V}$, $P_{OUT} = +28.5\text{ dBm}$, $50\text{ }\Omega$ system)

PARAMETER	MIN	TYP	MAX	UNIT	COMMENTS
Gain	-	29	31.5	dB	
Gain Variation	-	0.3	1.0	dB	
Adjacent Channel Power at $\pm 885\text{ kHz}$ offset; Primary Channel BW = 1.23 MHz Adjacent Channel BW = 30 kHz	- - - -	-54 -51 -52 -50	-46.5 -46.0 -46.5 -46.0	dB	$P_{OUT} = +16\text{ dBm}$, $V_{CC} = +3.5\text{ V}$ $P_{OUT} = +29.0\text{ dBm}$, $V_{CC} = +3.7\text{ V}$ $P_{OUT} = +28.5\text{ dBm}$, $V_{CC} = +3.5\text{ V}$ $P_{OUT} = +28.0\text{ dBm}$, $V_{CC} = +3.2\text{ V}$
Adjacent Channel Power at $\pm 1.98\text{ MHz}$ offset; Primary Channel BW = 1.23 MHz Adjacent Channel BW = 30 kHz	- - - -	-74 -61 -60 -60	-57 -57 -57 -57	dB	$P_{OUT} = +16\text{ dBm}$, $V_{CC} = +3.5\text{ V}$ $P_{OUT} = +29.0\text{ dBm}$, $V_{CC} = +3.7\text{ V}$ $P_{OUT} = +28.5\text{ dBm}$, $V_{CC} = +3.5\text{ V}$ $P_{OUT} = +28.0\text{ dBm}$, $V_{CC} = +3.2\text{ V}$
Power-Added Efficiency	32 6.5	37 7.5	- -	%	+28.5 dBm Output Power +16 dBm Output Power
Quiescent Current (Icq)	-	47	58	mA	through V_{CC} pins
Reference Current	-	5	7	mA	through V_{REF} pin
Mode Control Current	-	0.35	0.55	mA	through V_{MODE} pin
Leakage Current	-	<5	-	μA	
Noise in Receive Band	-	-135	-133	dBm/Hz	869 MHz to 894 MHz
Harmonics 2fo 3fo	- -	-40 -50	-30 -30	dBc	
Input Impedance	-	-	2:1	VSWR	
Spurious Output Level (all spurious outputs)	-	-	-70	dBc	$P_{OUT} \leq +29\text{ dBm}$ In-band load VSWR < 8:1 Out-of-band load VSWR < 8:1 Applies over all voltage and temperature operating ranges
Load mismatch stress with no permanent degradation or failure	8:1	-	-	VSWR	$V_{CC} = +5.0\text{ V}$ $P_{IN} = +5\text{ dBm}$ Applies over full operating temperature range

PERFORMANCE DATA

Figure 3: Large Signal Gain vs. Freq.
 CDMA IS-95B
 ($P_{OUT} = +28.5$ dBm, $V_{CC} = +3.5$ V,
 $V_{REF} = +2.85$ V, $V_{MODE} = +2.85$ V)

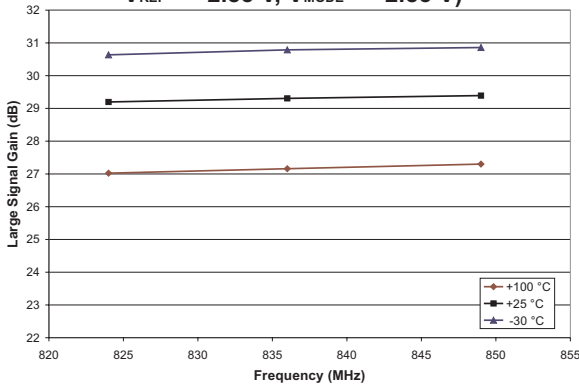


Figure 4: Power Added Efficiency vs. Freq.
 CDMA IS-95B
 ($P_{OUT} = +28.5$ dBm, $V_{CC} = +3.5$ V,
 $V_{REF} = +2.85$ V, $V_{MODE} = +2.85$ V)

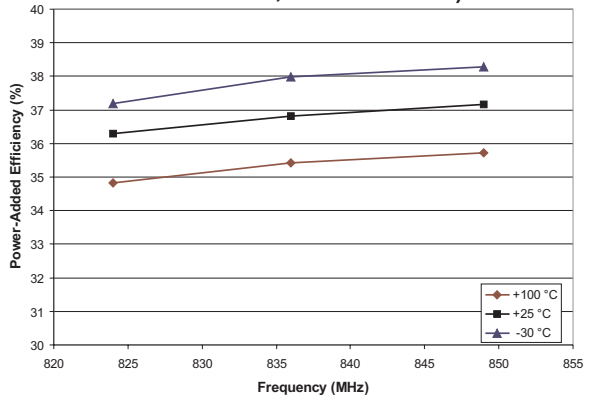


Figure 5: Adjacent Channel Power vs. Freq.
 CDMA IS-95B
 ($P_{OUT} = +28.5$ dBm, $V_{CC} = +3.5$ V, $V_{REF} = +2.85$ V,
 $V_{MODE} = +2.85$ V, $\Delta f_{ACP} = 885$ kHz)

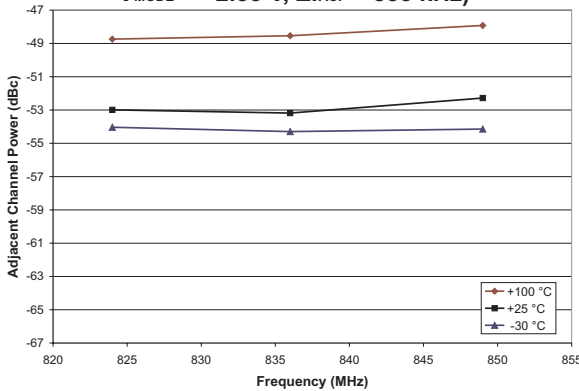


Figure 6: Adjacent Channel Power vs. Freq.
 CDMA IS-95B
 ($P_{OUT} = +28.5$ dBm, $V_{CC} = +3.5$ V, $V_{REF} = +2.85$ V,
 $V_{MODE} = +2.85$ V, $\Delta f_{ACP} = 1.98$ MHz)

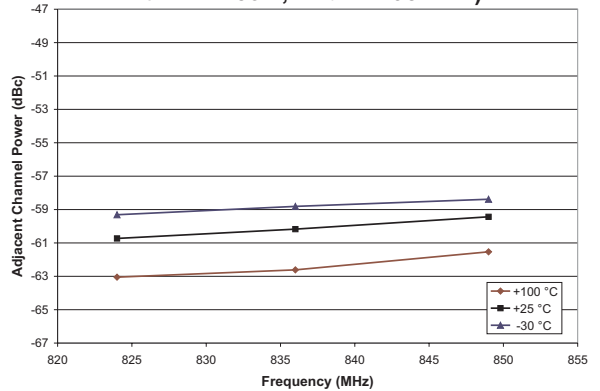


Figure 7: Small Signal Gain vs. Freq.
 CDMA IS-95B
 ($P_{IN} = -20$ dBm, $V_{CC} = +3.5$ V,
 $V_{REF} = +2.85$ V, $V_{MODE} = +2.85$ V)

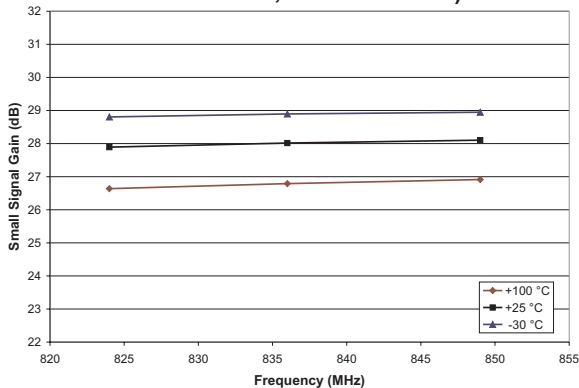


Figure 8: Gain vs. Freq.
CDMA IS-95B
 (P_{OUT} = +16 dBm, V_{CC} = +3.5 V,
 V_{REF} = +2.85 V, V_{MODE} = +2.85 V)

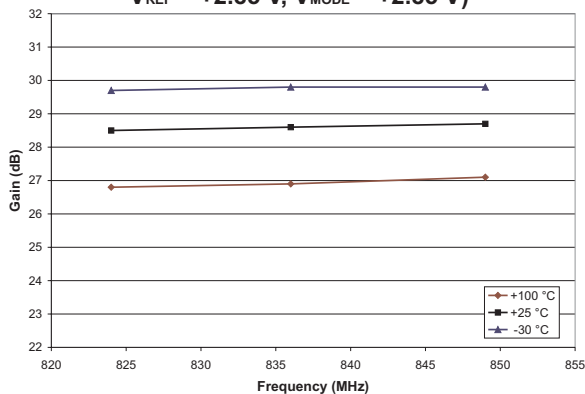


Figure 9: Power-Added Efficiency vs. Freq.
CDMA IS-95B
 (P_{OUT} = +16 dBm, V_{CC} = +3.5 V,
 V_{REF} = +2.85 V, V_{MODE} = +2.85 V)

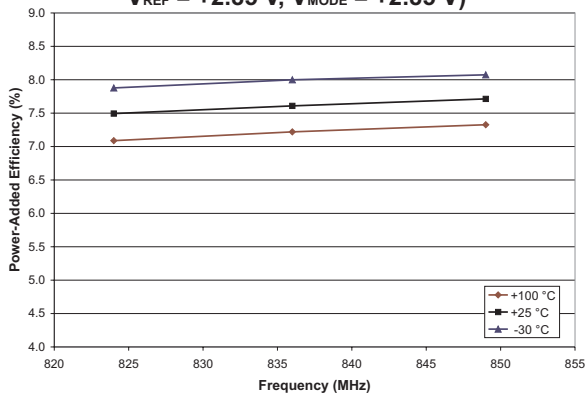


Figure 10: Adjacent Channel Power vs. Freq.
CDMA IS-95B
 (P_{OUT} = +16 dBm, V_{CC} = +3.5 V,
 V_{REF} = +2.85 V, V_{MODE} = +2.85 V Δf_{ACP} = 885 kHz)

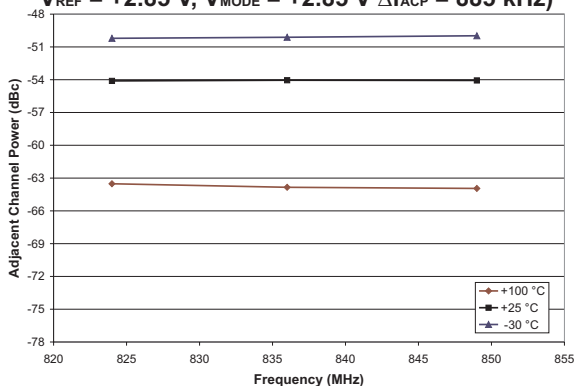


Figure 11: Adjacent Channel Power vs. Freq.
CDMA IS-95B
 (P_{OUT} = +16 dBm, V_{CC} = +3.5 V, V_{REF} = +2.85 V,
 V_{MODE} = +2.85 V Δf_{ACP} = 1.98 MHz)

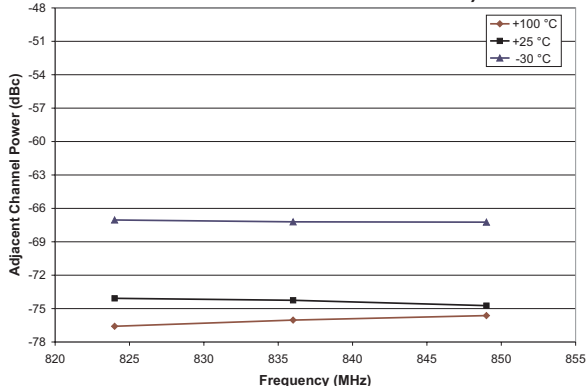


Figure 12: Large Signal Gain vs. Freq.
AMPS
 (P_{OUT} = +31.0 dBm, V_{CC} = +3.5 V,
 V_{REF} = +2.85 V, V_{MODE} = +2.85 V)

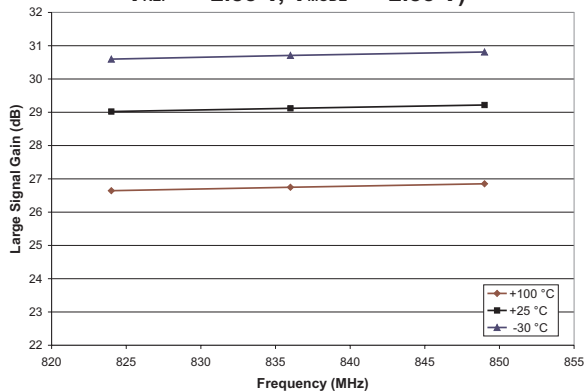
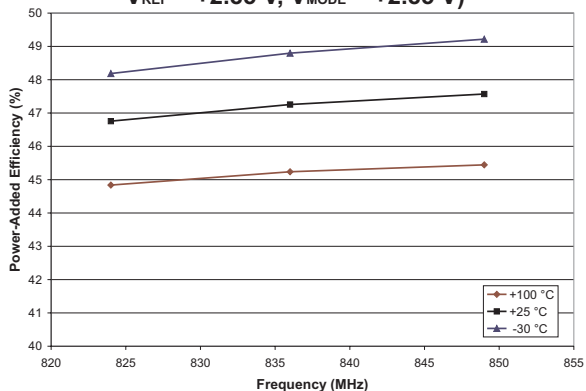


Figure 13: Power-Added Efficiency vs. Freq.
AMPS
 (P_{OUT} = +31.0 dBm, V_{CC} = +3.5 V,
 V_{REF} = +2.85 V, V_{MODE} = +2.85 V)



APPLICATION INFORMATION

To ensure proper performance, refer to all related Application Notes on the ANADIGICS web site: <http://www.anadigics.com>

Shutdown Mode

The power amplifier may be placed in a shutdown mode by applying logic low levels (see Operating Ranges table) to both the V_{REF} and V_{MODE} voltages.

High Bias Mode

The power amplifier may be placed in a high bias mode by applying a logic low level (see Operating Ranges table) to the V_{MODE} voltage. Operating the amplifier in high bias mode will result in an approximately 3 dB improvement in the adjacent channel power rejection at the 1.98 MHz offset and no significant change at the 885 kHz offset.

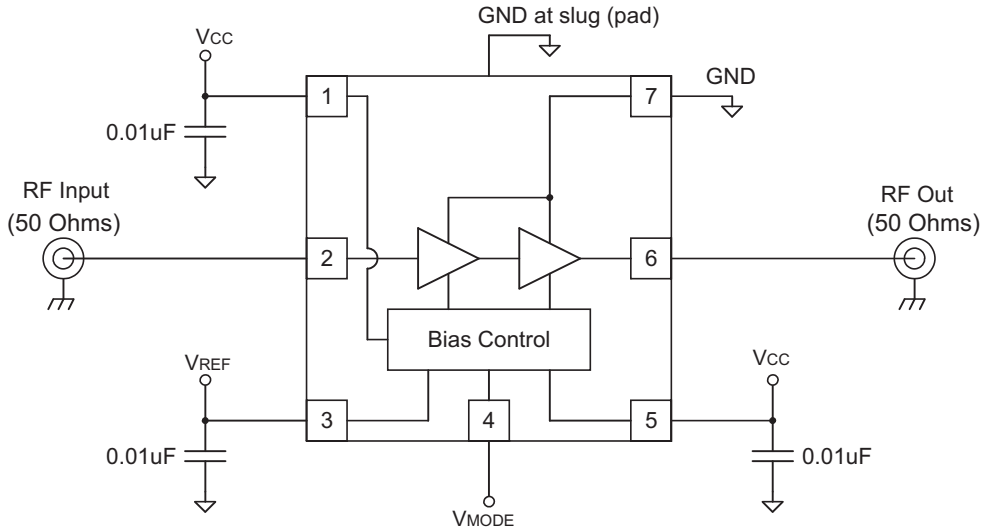
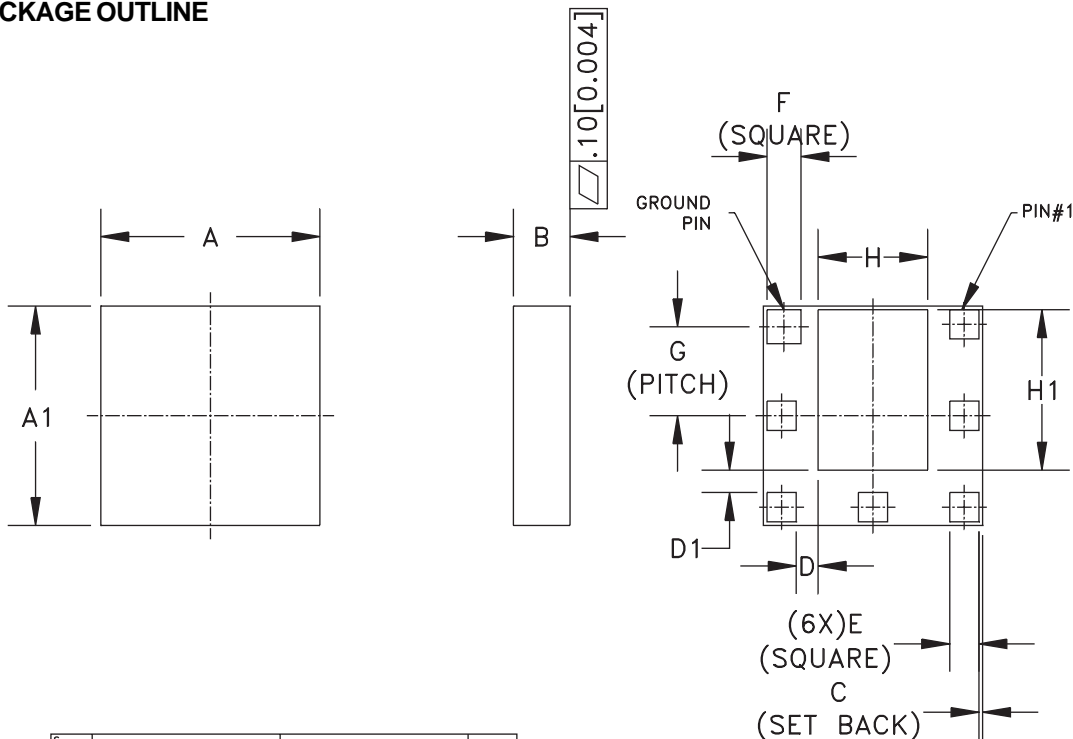


Figure 14: Application Circuit Schematic

PACKAGE OUTLINE

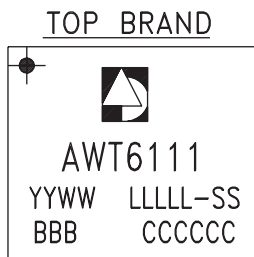


SYMBOL	MILLIMETERS			INCHES			NOTE
	MIN.	NOM.	MAX.	MIN.	NOM.	MAX.	
A	5.88	6.00	6.12	0.231	0.236	0.241	-
A1	5.88	6.00	6.12	0.231	0.236	0.241	-
B	1.30	1.55	1.70	0.051	0.061	0.067	-
C	-	0.10	-	-	0.004	-	-
D	-	0.60	-	-	0.024	-	-
D1	-	0.60	-	-	0.024	-	-
E	-	0.81	-	-	0.032	-	-
F	-	0.89	-	-	0.035	-	-
G	2.50 BSC			0.098 BSC			3
H	-	3.00	-	-	0.118	-	-
H1	-	4.39	-	-	0.173	-	-

NOTES:

1. CONTROLLING DIMENSIONS: MILLIMETERS
2. UNLESS SPECIFIED TOLERANCE=±0.076 [0.003].
3. REFERENCE ONLY.

Figure 15: M5 Package Outline - 7 Pin 6mm x 6mm Surface Mount Module (Low Band)



NOTES:

1. ANADIGICS LOGO SIZE: X=0.080±0.010 Y=0.095±0.010
2. PART #: AWT6111
3. YEAR AND WORK WEEK: YYWW: YY = YEAR, WW = WORK WEEK
4. LOT - Wafer I.D.: LLLLL-SS = Wafer/Lot I.D.
5. PIN 1 INDICATOR: MOLD NOTCH -or- INK DOT
6. BOM #: BBB
7. COUNTRY CODE: CCCCC
8. TYPE : ELITE
 SIZE : AS LARGE AS POSSIBLE
 COLOR : WHITE or SILVER

Figure 16: Branding Specification

COMPONENT PACKAGING

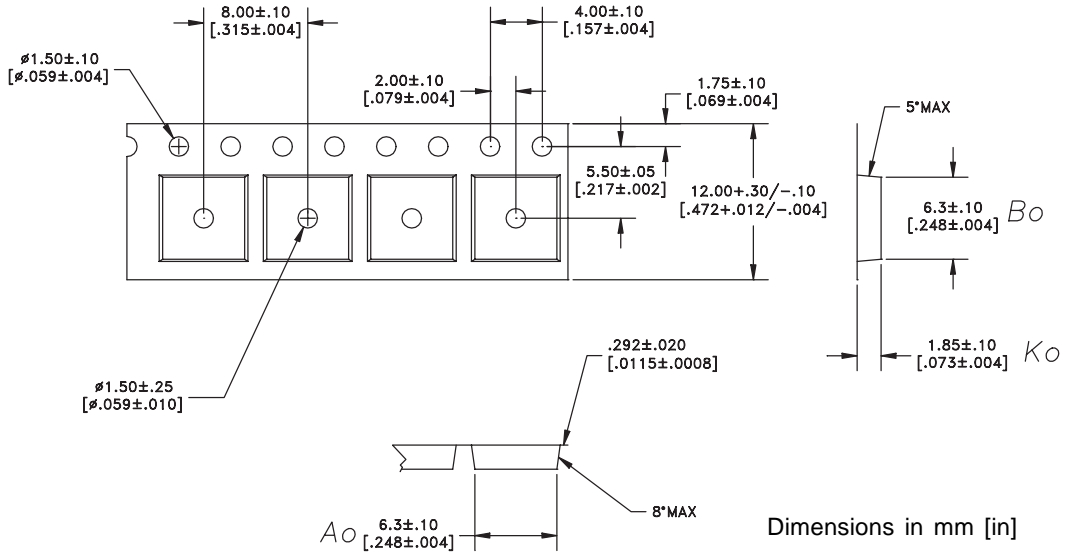


Figure 17: Tape & Reel Packaging

Table 6: Tape & Reel Dimensions

PACKAGE TYPE	TAPE WIDTH	POCKET PITCH	REEL CAPACITY	MAX REEL DIA
6mm X 6mm	12mm	8mm	2500	13"

NOTES

ORDERING INFORMATION

ORDER NUMBER	TEMPERATURE RANGE	PACKAGE DESCRIPTION	COMPONENT PACKAGING
AWT6111M5P8	-30 °C to +110 °C	7 Pin 6mm x 6mm Surface Mount Module	Tape and Reel, 2500 pieces per Reel

**ANADIGICS, Inc.**

141 Mount Bethel Road
Warren, New Jersey 07059, U.S.A.

Tel: +1 (908) 668-5000

Fax: +1 (908) 668-5132

URL: <http://www.anadigics.com>

E-mail: Mktg@anadigics.com

IMPORTANT NOTICE

ANADIGICS, Inc. reserves the right to make changes to its products or to discontinue any product at any time without notice. The product specifications contained in Advanced Product Information sheets and Preliminary Data Sheets are subject to change prior to a product's formal introduction. Information in Data Sheets have been carefully checked and are assumed to be reliable; however, ANADIGICS assumes no responsibilities for inaccuracies. ANADIGICS strongly urges customers to verify that the information they are using is current before placing orders.

WARNING

ANADIGICS products are not intended for use in life support appliances, devices or systems. Use of an ANADIGICS product in any such application without written consent is prohibited.