



# STB7101

## 0.9/1.9GHz BROAD BAND PRE-POWER AMPLIFIER

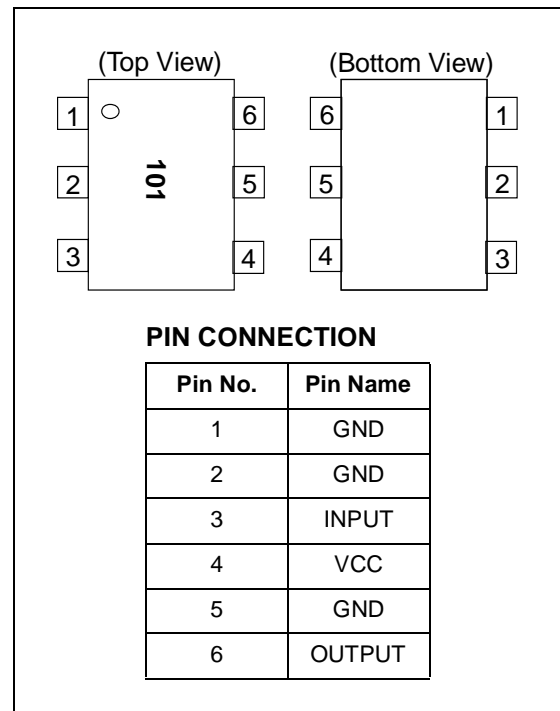
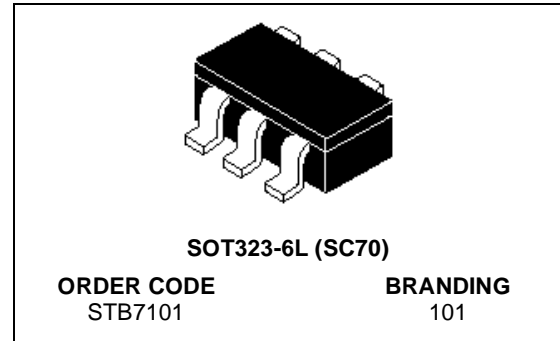
- OPERATING FREQUENCY 900-1900MHz
- OUTPUT POWER 9.8dBm typ. @ 900MHz  
7.5dBm typ. @ 1900MHz
- POWER GAIN  $G_P = 20.3\text{dB}$  typ. @ 900MHz  
 $G_P = 20.5\text{dB}$  typ. @ 1900MHz

### APPLICATIONS

PA driver for cellular applications

### DESCRIPTION

The STB7101, designed for cellular applications (0.9/1.9GHz), uses a 20 GHz  $F_T$  silicon bipolar process. This IC is a wide range amplifier operating from 900MHz to 1900MHz, in the overall frequencies range the gain flatness is less than 1 dB. The STB7101 is housed in a very small SMD package SOT323-6L.



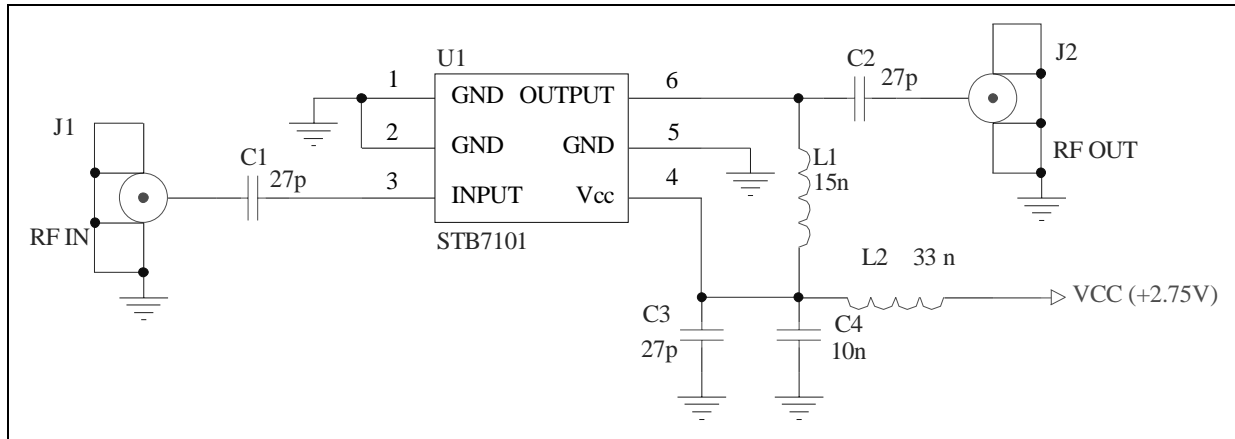
### ABSOLUTE MAXIMUM RATINGS

Symbol	Parameter	Conditions	Value	Unit
$V_{CC}$	Supply voltage	$T_a = +25^\circ\text{C}$ , pin 4 and 6	4.5	V
$T_{stg}$	Storage temperature		-55 to +150	$^\circ\text{C}$
$T_a$	Operating ambient temperature		-40 to +85	$^\circ\text{C}$
$P_{in}$	Input power	$T_a = +25^\circ\text{C}$	10	dBm

**ELECTRICAL CHARACTERISTICS** ( $T_a = +25^\circ\text{C}$ ,  $V_{cc} = 2.75\text{V}$ ,  $Z_L = Z_S = 50\Omega$ , unless otherwise specified)

Symbol	Parameter	Test Conditions	Min.	Typ.	Max.	Unit
$V_{cc}$	Supply voltage		2.6	2.75	3.3	V
$I_{cc}$	Circuit current	No signal		28		mA
$G_p$	Power Gain	$f = 0.9\text{GHz}$ $f = 1.9\text{GHz}$		20.3 20.5		dB
NF	Noise figure	$f = 0.9\text{GHz}$ $f = 1.9\text{GHz}$		5 4.5		dB
$P_{1\text{dB}}$	Output 1dB Compr. Power	$f = 0.9\text{GHz}$ $f = 1.9\text{GHz}$		9.8 7.5		dBm
$RL_{\text{IN}}$	Input return loss	$f = 0.9\text{GHz}$ $f = 1.9\text{GHz}$		8 6.2		dB
$RL_{\text{OUT}}$	Output Return loss	$f = 0.9\text{GHz}$ $f = 1.9\text{GHz}$		9.7 9.7		dB
$S_{12}$	Isolation	$f = 0.9\text{GHz}$ $f = 1.9\text{GHz}$		-34 -33		dB
$P_o(\text{Sat})$	Saturated output power level	$f = 0.9\text{GHz}$ $f = 1.9\text{GHz}$		11.3 9.7		dBm
OIP3	Output Third Order Intercept	$f = 0.9\text{GHz}$ $f = 1.9\text{GHz}$		16.5 14.9		dBm

**TYPICAL EVALUATION CIRCUIT**

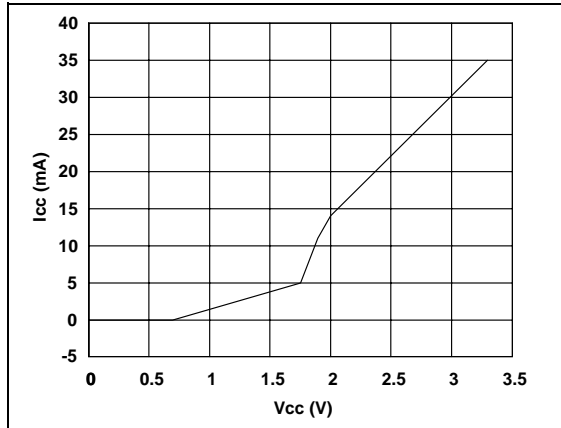


**Evaluation circuit components**

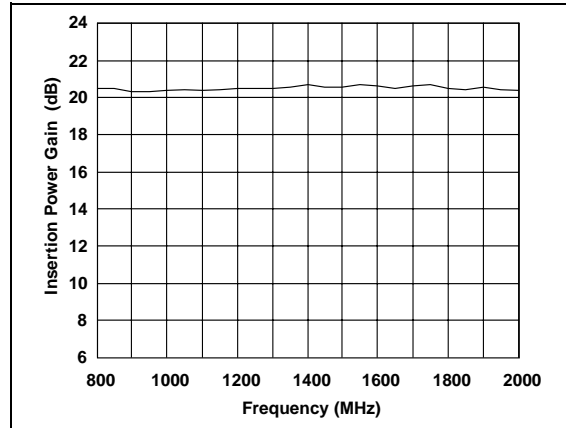
$C1 = C2 = C3 = 27\text{pF}$
$C4 = 10\text{nF}$
$L1 = 15\text{nH}$
$L2 = 33\text{nH}$

TYPICAL PERFORMANCE ( $T_a = +25\text{ }^\circ\text{C}$ ,  $V_{cc} = 2.75\text{V}$ , unless otherwise specified)

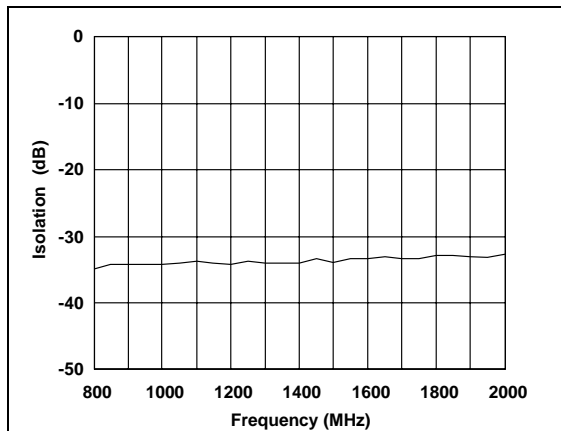
Circuit Current versus Supply Voltage



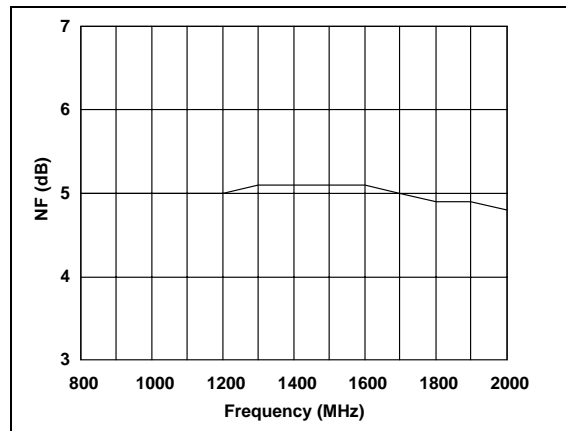
Insertion Power Gain versus Frequency



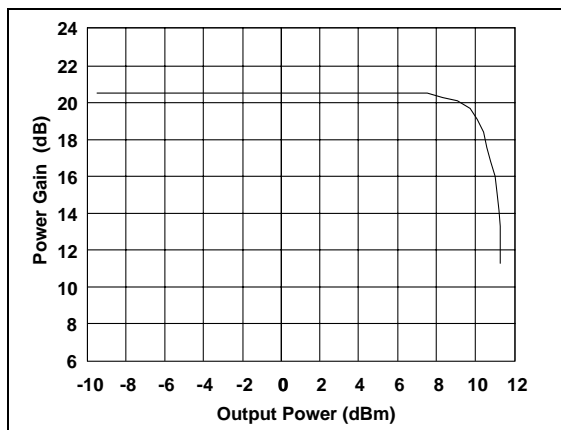
Isolation versus Frequency



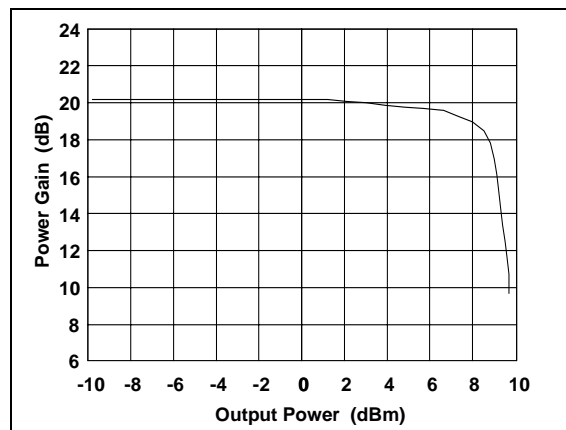
Noise Figure versus Frequency



Power Gain versus Output Power @ 900 MHz

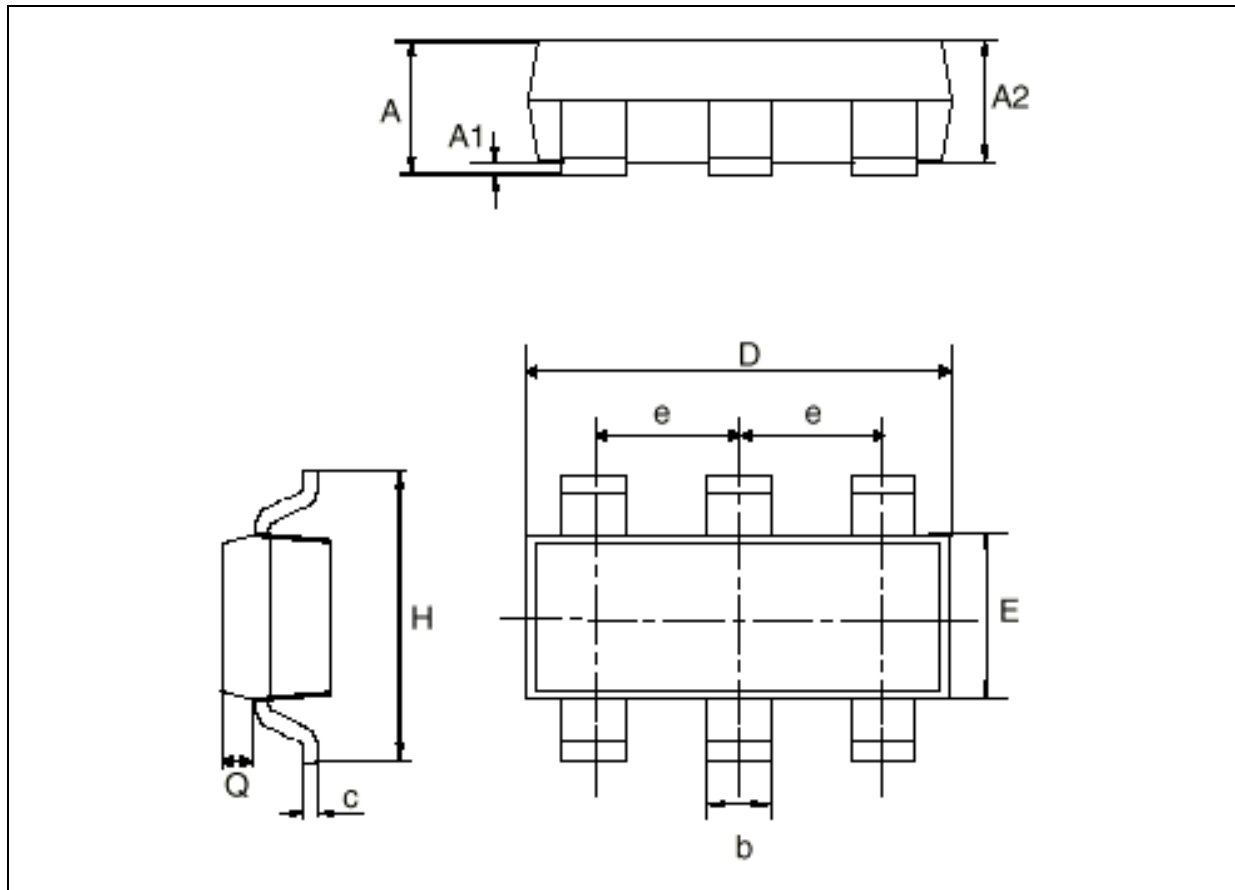


Power Gain versus Output Power @ 1900 MHz



SOT323-6L MECHANICAL DATA

DIM.	mm			Inch		
	MIN.	TYP.	MAX	MIN.	TYP.	MAX
A	0.8		1.1	0.031		0.043
A1	0		0.1	0		0.004
A2	0.8		1	0.0031		0.039
b	0.15		0.3	0.006		0.012
c	0.1		0.18	0.004		0.007
D	1.8		2.2	0.071		0.088
E	1.15		1.35	0.045		0.59
e		0.65			0.025	
H	1.8		2.4	0.071		0.094
Q	0.1		0.4	0.004		0.016



Information furnished is believed to be accurate and reliable. However, STMicroelectronics assumes no responsibility for the consequences of use of such information nor for any infringement of patents or other rights of third parties which may result from its use. No license is granted by implication or otherwise under any patent or patent rights of STMicroelectronics. Specifications mentioned in this publication are subject to change without notice. This publication supersedes and replaces all information previously supplied. STMicroelectronics products are not authorized for use as critical components in life support devices or systems without express written approval of STMicroelectronics.

The ST logo is registered trademark of STMicroelectronics  
© 2002 STMicroelectronics - All Rights Reserved

All other names are the property of their respective owners.

STMicroelectronics GROUP OF COMPANIES  
Australia - Brazil - Canada - China - Finland - France - Germany - Hong Kong - India - Israel - Italy - Japan -  
Malaysia - Malta - Morocco - Singapore - Spain - Sweden - Switzerland - United Kingdom - U.S.A.  
<http://www.st.com>