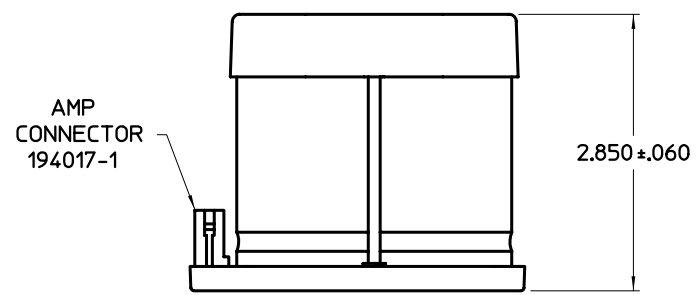
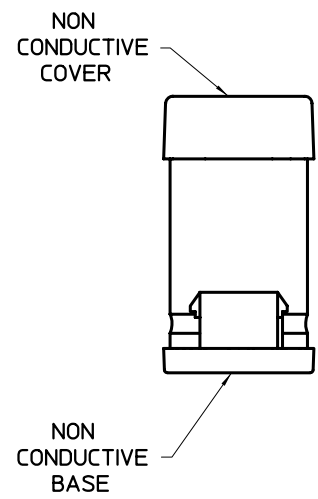
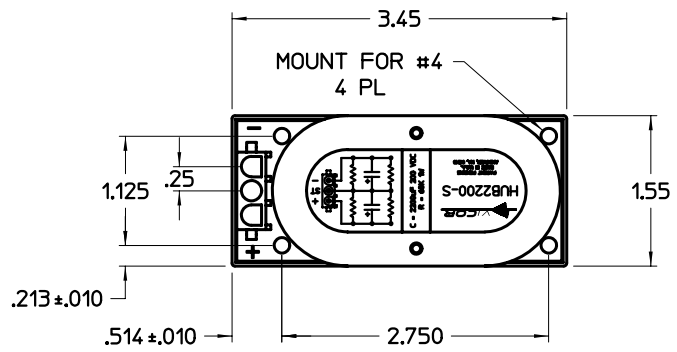


**VICOR CONFIDENTIAL**  
 THIS DOCUMENT AND THE DATA DISCLOSED  
 HEREIN OR HEREWITH IS NOT TO BE REPRODUCED,  
 USED, OR DISCLOSED IN WHOLE OR IN PART  
 TO ANYONE WITHOUT PERMISSION OF VICOR CORP.

REV.	DESCRIPTION	DATE	APPROVED
01	RELEASED PER E980365	DPK 9/14/98	RCM
02	RVSD- E980451	RCM 12/1/98	DPK
03	REVSD PER E990386	AK 9/14/99	RCM
04	REVSD PER E990450	RCM 3/6/00	DPK

VICOR HUB PART NO.	MATING CONNECTOR		
	ORDER FROM: AMP		ORDER FROM: VICOR
	HOUSING (QTY 1)	SOCKETS (QTY 3)	HOUSING/SKT KIT (QTY 1)
HUB2200-S	770018-1	193842-1	21394



AT +105°C, 120HZ UNLESS OTHERWISE NOTED					
ITEM	CHARACTERISTICS				
OPERATING TEMPERATURE	-25 to +105°C				
CAPACITANCE TOLERANCE @+20°C	±20%				
	AMBIENT TEMPERATURE (°C)				
	+45	+60	+70	+85	+105
RIPPLE CURRENT MULTIPLIER	2.64	2.23	2.12	1.73	1.00
DISSIPATION FACTOR @ +20°C	0.1				
RATED VOLTAGE (wVDC)	200				
CAPACITANCE VALUE (C1, C2 EA. uF)	2200				
MAXIMUM ESR (OHMS) @ +20°C	0.113				
MAXIMUM RIPPLE CURRENT (A rms)	3.62				

DRAWN BY <b>C HUTCHINS</b>	DATE <b>7/97</b>		
<small>UNLESS OTHERWISE SPECIFIED          DIMENSIONS ARE IN INCHES          TOLERANCES ARE:          FRACTIONS DECIMALS ANGLES          *1/64 .001 .01 *1°          .0005 .005 .01</small>		<b>OUTLINE DRAWING,          HUB2200-S</b>	
THIRD ANGLE PROJECTION 	SIZE <b>C 67131</b>	DWG NO <b>16767</b>	REV <b>04</b>
DO NOT SCALE DRAWING	SCALE FULL	SHEET 1 OF 1	