

SM4001 THRU SM4007

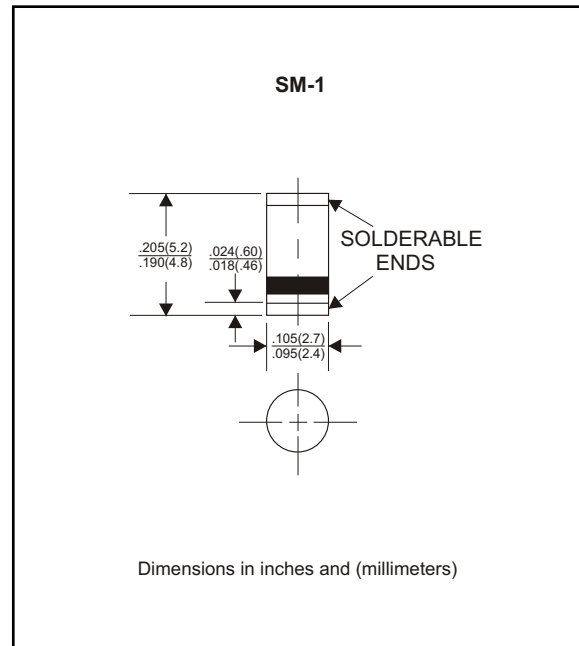
Glass passivated type

Features

- Plastic package has Underwriters Laboratory Flammability Classification 94V-O Utilizing Flame Retardant Epoxy Molding Compound.
- For surface mounted applications.
- Exceeds environmental standards of ML-S-19500 / 228
- Low leakage current

Mechanical data

Case : Moulded plastic, SMA (MELF)
 Terminals : Solder plated, solderable per ML-STD-750, Method 2026
 Polarity : Indicated by cathode band
 Mounting Position : Any
 Weight : 0.015 gram



MAXIMUM RATINGS (AT $T_A=25^{\circ}\text{C}$ unless otherwise noted)

| PARAMETER | CONDITIONS | Symbol | MIN. | TYP. | MAX. | UNIT |
|----------------------------|-----------------------------------------------------------------------|-----------|------|------|------|-------------------------------|
| Forward rectified current | See Fig.2 | I_O | | | 1.0 | A |
| Forward surge current | 8.3ms single half sine-wave superimposed on rate load (JEDEC methode) | I_{FSM} | | | 30 | A |
| Reverse current | $V_R = V_{RRM} T_A = 25^{\circ}\text{C}$ | I_R | | | 5.0 | μA |
| | $V_R = V_{RRM} T_A = 100^{\circ}\text{C}$ | | | | 50 | μA |
| Thermal resistance | Junction to ambient | R_{QJA} | | 50 | | $^{\circ}\text{C} / \text{w}$ |
| Diode junction capacitance | f=1MHz and applied 4vDC reverse voltage | C_J | | 15 | | pF |
| Storage temperature | | T_{STG} | -55 | | +175 | $^{\circ}\text{C}$ |

| SYMBOLS | MARKING CODE | V_{RRM}^{*1} (V) | V_{RMS}^{*2} (V) | V_R^{*3} (V) | V_F^{*4} (V) | Operating temperature ($^{\circ}\text{C}$) |
|---------|--------------|-----------------------|-----------------------|-------------------|-------------------|-------------------------------------------------|
| SM4001 | - | 50 | 35 | 50 | 1.1 | -55 to +175 |
| SM4002 | - | 100 | 70 | 100 | | |
| SM4003 | - | 200 | 140 | 200 | | |
| SM4004 | - | 400 | 280 | 400 | | |
| SM4005 | - | 600 | 420 | 600 | | |
| SM4006 | - | 800 | 560 | 800 | | |
| SM4007 | - | 1000 | 700 | 1000 | | |

- *1 Repetitive peak reverse voltage
- *2 RMS voltage
- *3 Continuous reverse voltage
- *4 Maximum forward voltage

RATING AND CHARACTERISTIC CURVES (SM4001 THRU SM4007)

FIG.1-TYPICAL FORWARD CHARACTERISTICS

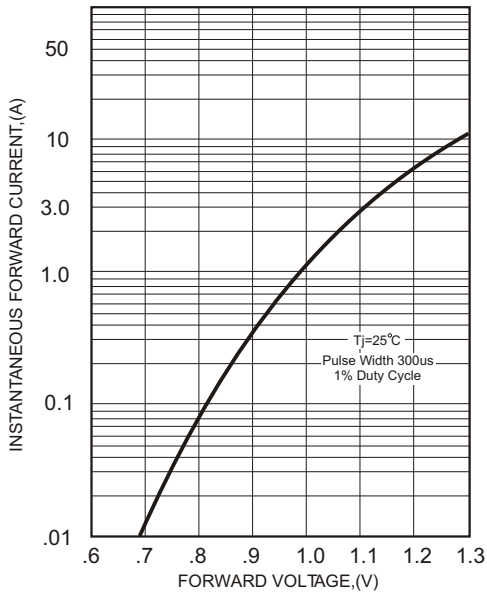


FIG.2-TYPICAL FORWARD CURRENT DERATING CURVE

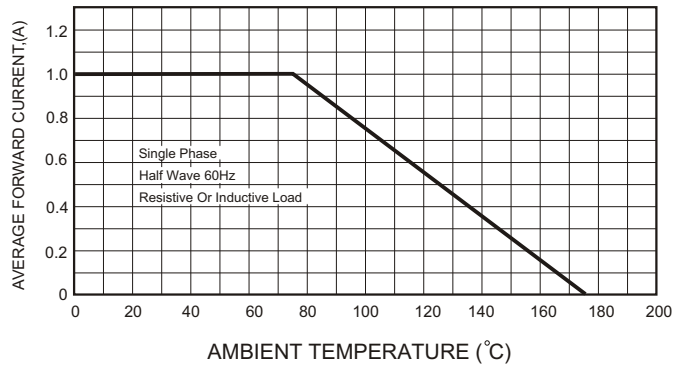


FIG.4-MAXIMUM NON-REPETITIVE FORWARD SURGE CURRENT



FIG.3 - TYPICAL REVERSE CHARACTERISTICS

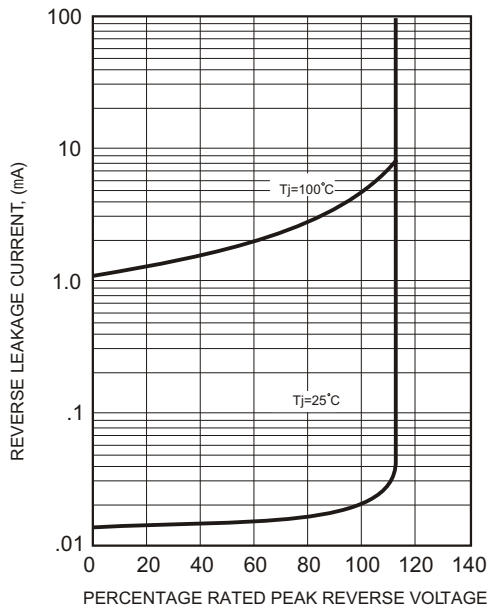


FIG.5-TYPICAL JUNCTION CAPACITANCE

