

## 1. INTRODUCTION

The purpose of this application note is to describe the implementation of a PCI bus master 100 Base-TX Fast Ethernet node using MXIC' highly integrated single chip Fast Ethernet NIC controller MX98715BEC. In details, this document presents product overview, programming guide, hardware design and layout recommendations that can help you to quickly and smoothly implement a Fast Ethernet adapter card.

As you can find in the MX98715BEC driver diskette, MXIC already provides a complete set of high quality drivers for easier and more efficient way to interface with MX98715BEC on the most popular Network Operating Systems. Nevertheless, there are still some special applications or environment not covered in the MX98715BEC driver diskette. Driver developers, however, could still refer to the section of driver programming guide to accomplish the required driver. It is recommended that you should be familiar with the MX98715BEC data sheet before reading this guide.

## 2. PRODUCT OVERVIEW

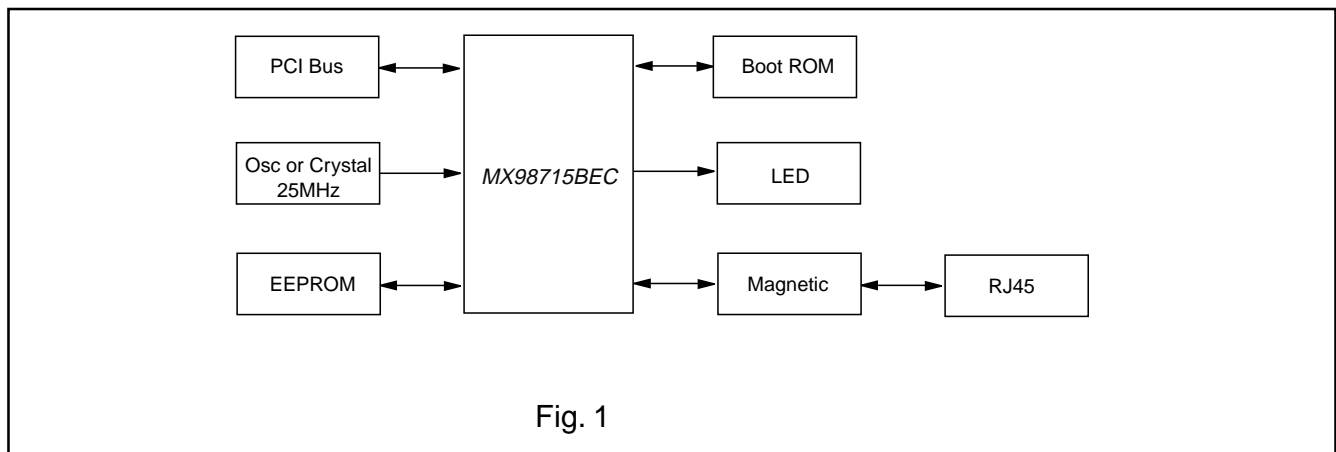
The MX98715BEC implements the 10/100Mbps MAC layer and Physical layer on a single chip in accordance with the IEEE 802.3 standard.

The MX98715BEC highly integrates with direct PCI bus interface, including PCI bus master with DMA channel capability, direct EEPROM as well as Boot ROM interface, and large on chip transmit/receive FIFOs. Also, the MX98715BEC is equipped with intelligent IEEE802.3u-compliant Nway auto-negotiation capability allowing a single RJ-45 connector to link with the other IEEE802.3u-compliant device without re-configuration. To optimize operating bandwidth, network data integrity and throughput, the proprietary Adaptive Network Throughput Control (ANTC) function is implemented. For detailed product specification information, please refer to the MX98715BEC data sheet.

## 3. HARDWARE DESIGN CONSIDERATIONS

### 3.1 SYSTEM APPLICATION BLOCK DIAGRAM

A system block diagram for the MX98715BEC based Fast Ethernet adapter card is shown as following:



### 3.2 PCI CONNECTION

The MX98715BEC provides direct PCI bus interface to PCI connector. Board designers should especially take care of the four pins of TDI, TDO, PRSNT1# & PRSNT2# that are only related to PCI bus connector. Boards that do not implement JTAG Boundary Scan should tight TDI and TDO together to prevent the scan chain from being broken.

Both pins PRSNT1# and PRSNT2# should be connected to ground indicating that the board physically exists in a PCI slot and provides information about the total power requirements ( less than 7.5W ) of the board.

### 3.3 OSCILLATOR OR CRYSTAL

The MX98715BEC is designed to operate with a 25MHz oscillator or crystal module. The clock specification of this oscillator should meet 25MHz +/- 50PPM.

### 3.4 BOOT ROM

The MX98715BEC support a direct boot ROM interface allowing diskless workstations to remotely download operating system from network server. For proper operation, the access time of adapt EPROM should not exceed 240ns.

### 3.5 SERIAL EEPROM

The MX98715BEC provides pins EECS, BPA0 (EECK), BPA1 (EEDI) and BPD0 (EEDO) for directly accessing the serial EEPROM. BPA0-1 and BPD0 serve as SK (EECK), DI (EEDI) and DO (EEDO) respectively. The contents of the EEPROM includes the ID information of the MX98715BEC (VendorID, DeviceID, Sub-vendorID, Sub-deviceID and MAC ID), and the configuration parameters for software driver. The EEPROM contents should be programmed according to MXIC's definition as mentioned in Appendix A. Detailed software programming example is described in section 4.5.

### 3.6 PROGRAMMABLE LED SUPPORT

The MX98715BEC provides five pins LED[0:4] to control display LEDs. Displayed messages are programmable through setting CSR9 bits[31:28] & bit24. The maximum sinking current of these output pins is 16mA. Current limiting resistor (560 ohm) should be added to ensure proper operation. The following indicates the configuration setting table for LED display programming.

CSR 9 <28>	0	1
LED 0	Activity	Link speed
CSR 9<29>	0	1
LED 1	Good Link	Link Activity
CSR 9<30>	0	1
LED 2	Link Speed	Colision
CSR 9<31>	0	1
LED 3	Receive	F/H duplex
CSR 9<24>	0	1
LED 4	Colision	PMEB

### 3.7 NETWORK INTERFACE TO MAGNETIC COMPONENT

For isolating and impedance matching purpose, an isolating transformer with 1:1 transmit and 1:1 receive turns ratio is required for transmit and receive twisted pair interface. In Appendix B, several transformers that we had verified successfully with MX98715BEC are listed for quick reference purpose.

### 3.8 OPTIMIZED EQUALIZER COMPONENTS

MXIC' Fast Ethernet solution utilizes adaptive equalizer to compensate the attenuation and phase distortion induced by different lengths of cable. To optimize transmit and receive signal quality, pins RTX should be connected to external resistors 1K ohm ( $\pm 1\%$ ) and then to ground respectively.

### 3.9 Remote-Power-On and ACPI application

MX98715BEC fully supports Remote-Power-ON and ACPI spec that meet PC99 requirement for power-sensitive applications. It accepts the following wake-up events in the power-down mode.

- \* Reception of a Magic Packet.
- \* Reception of a Network wake-up frame.
- \* Detection of change in the network link state.

To put MX98715BEC into the sleep mode and enable the wake-up events detection are done as following:

1. Write 1 to PPMCSR [8] to enable power management feature.

2. Write the value to PPMCSR [1:0] to determine which power state to enter.

If D1, D2 or D3<sub>hot</sub> state is set, the PC is still turned on and is commonly called entering the Remote Wake-up mode. Otherwise if the main power on a PC is totally shut off, we call that it is in the D3<sub>cold</sub> state or Remote Power-On mode. To sustain the operation of the LanCard, a 5V standby power is required. Once the PC is turned on, MX98715BEC loads the magic ID from EEPROM and sets it up automatically. No register is needed to be programmed. After then, simply turn off PC to enter D3<sub>cold</sub> state. In either Remote Wake-up mode or Remote Power-On mode, the transceiver and the RX block are still alive to monitor the network activity. If one of the three wake-up events occurred, the following status is changed:

1. PPMCSR [15] (PME status) is set to 1.
2. CRS5 [28] (WKUPI) is set to 1.
3. PCI interrupt pin INTA# is asserted low.
4. LANWAKE pin is asserted high.

## 4. DRIVER PROGRAMMING GUIDE

This chapter will provide you the necessary information for programming driver for the MX98715BEC based node. Initialization module is introduced first that describes how MX98715BEC is initialized before any other operations can commence, then followed by actual implementation examples for both transmit and receive operations.

### 4.1 INITIALIZATION

```
initializeTheTransmitRing()
{
    unsigned int    i,j;
    unsigned long   physicaladdress;
    for (i=0; i<NumTXBuffers; i++) {
        /* memory allocation for tx descriptor_buffer (align 4) */
        tx_resource[i]=
```

```
(struct TX_RESOURCE *)((((unsigned int)tx_temp[i])+4)&
0xffff);
    }
```

```
for (i=0; i<NumTXBuffers; i++) {
    /* initialize the own bit to host tdes0 */
    tx_resource[i]->ownership=0x00;
    tx_resource[i]->tstatus=0x0000;
    tx_resource[i]->tdes0_unused=0x00;

    /* fill buffer_1_address tdes2 */
    get_ea((void far *) (tx_resource[i]->tx_buffer_data),
    &physicaladdress);
    tx_resource[i]->buff_1_addr=physicaladdress;

    /* fill buffer_2_address tdes3 */
    if (i==NumTXBuffers-1) j=0;
    else j=i+1;
    get_ea((void far *) (tx_resource[j], &physicaladdress);
    tx_resource[i]->buff_2_addr=physicaladdress;
}
}
```

```
initializeTheReceiveRing()
{
    unsigned int    i,j;
    unsigned long   physicaladdress;
    for (i=0; i<NumRXBuffers; i++) {
        /* memory allocation for rx descriptor_buffer (align 4) */
        rx_resource[i]=
        (struct RX_RESOURCE *)((((unsigned int)rx_temp[i])+4)&
0xffff);
    }
```

```
for (i=0; i<NumRXBuffers; i++) {
    /* set the own bit to chip rdes0 */
    rx_resource[i]->frame_length=RDES0_OWN_BIT;
    rx_resource[i]->rstatus=0x0000;

    /* fill rdes1 */
    rx_resource[i]->command=RDES1_BUFF-
RX_BUFFER_SIZE+rxpkt_size[i];
```

```
/* fill buffer_1_address rdes2 */
    get_ea((void far *) (rx_resource[i]->rx_buffer_data),
    &physicaladdress);
    rx_resource[i]->buff_1_addr=physicaladdress;
    /* fill buffer_2_address rdes3 */
    if (i==NumRXBuffers-1) j=0;
    else j=i+1;
    get_ea((void far *) (rx_resource[j], &physicaladdress);
```

```

        rx_resource[j]->buff_2_addr=physicaladdress;
    }
}

initialize()
{
    unsigned long  physicaladdress;

    NIC_read_reg(&csr6);
    NIC_write_reg(&csr6,csr6.value&(~(CSR6_SR|CSR6_ST)));
    delay(200) : //wait TX&RX to enter stop state, or you can
    //check bit17~bit19 (RX state) & bit 20~bit21 (TX state) in
    //CSR5 to assure this condition.
    InitializeTheTransmitRing (6);
    InitializeTheReceiveRing (6);
    NIC_write_reg(&csr0,CSR0_L_SWR);
    delay(50);

    NIC_write_reg(&csr0,csr0shadow);
    //CSR0 shadow=0xFE58A000
    get_ea((void far *)rx_resource[0],&physicaladdress);
    NIC_write_reg(&csr3,physicaladdress);
    get_ea((void far *)tx_resource[0],&physicaladdress);
    NIC_write_reg(&csr4,physicaladdress);
    NIC_write_reg(&csr7,csr7shadow);
    //csr7shadow=9xE7FFa06D
    NIC_write_reg(&csr16,csr16shadow);
    //csr16shadow=0x0B2C000
    //Clear status register
    NIC_write_reg(&csr5,(unsigned long)0xffffffff);
    NIC_write_reg(&csr6,csr6shadow);
    //csr6shadow=0x01A8E202
    setup_frame(TDES1_SETUP_LAST,perfect);
    //Initialize CAM to accept self-address/broadcast address
    //frames
}

```

## 4.2 TRANSMISSION MODULE

```

bmtx()
{
    unsigned char editmode, j;
    struct TX_RESOURCE *tx_pointer;

    initialize();
    fill_pattern(6);           //fill pattern
    NIC_write_reg(&csr6,csr6.value&(~CSR6_ST)); //stop
    NIC_read_reg(&csr6);
    NIC_write_reg(&csr6,csr6.value|CSR6_SF);
    //store and forward
    NIC_read_reg(&csr0)

```

```

    NIC_write_reg(&csr0,csr0.value|0x020000); //TAP=01
    tx_pointer=tx_resource[0];
    j=0;
    editmode=1;

    while (editmode) {
        if ((tx_pointer->ownership & 0x80)==0) {
            j++;
            j%=tx_pkt_num;
            if (tx_pointer->command & TDES1_LS_BIT)
                tx_error_detect(tx_pointer->tstatus);
            tx_pointer->ownership |= 0x80;
            tx_pointer=tx_resource[j];
        }
        if (kbhit()) {
            keycode_get();
            if (M_code!=0) {
                switch (M_code) {
                    case 0x1b: // ESC: quit
                        editmode=0;
                        break;
                    case 0x20:
                        NIC_read_reg(&csr6);
                        NIC_write_reg(&csr6,csr6.value^CSR6_ST);
                        break;
                    default: break;
                }
            }
        }
    }
}

```

## 4.3 RECEPTION MODULE

```

bmrx()
{
    unsigned char editmode,i,j;
    unsigned long physicaladdress;
    struct RX_RESOURCE *rcv_pointer;

    initialize();
    rcv_pointer=rx_resource[0];
    j=0;
    editmode=1;

    while (editmode) {
        // if data received

```

```

if ((rcv_pointer->frame_length & 0x8000)==0) {
    j++;
    j%=6;
    if (rcv_pointer->rstatus & RDES0_LS)
        rx_error_detect(rcv_pointer->rstatus);
    rcv_pointer->frame_length |= 0x8000;
    rcv_pointer=rx_resource[j];
}
if (kbhit()) {
    keycode_get();
    if (M_code!=0) {
        switch (M_code) {
            case 0x1b: // ESC: quit
                editmode=0;
                break;
            default: break;
        }
    }
}
}
}
}
}

```

## 4.4 SPECIAL CODING of MX98715BEC

### 4.4.1 SPEED SELECTION

Speed selection for MX98715BEC is controlled by internal Nway registers.

The Internal NWay registers are removed and protocol selection is controlled by Operation Mode Register (CSR6) and 10Base-T Control Register (CSR14)

	NWay Active	100F	100H	10F	10H
CSR6_PS	0	1	1	0	0
CSR6_PCS	X	1	1	X	X
CSR6_FD	1	1	0	1	0
CSR14_ANE	1	0	0	0	0

### 4.4.2 REGISTERS SETTING FOR DEVELOPING YOUR OWN DRIVER

The contents of CSR16 for MXIC 10/100Base NIC controllers should be set differently as follow:

$$\text{MX98715BEC} = 0x0b2cXXXX$$

Meanwhile, you could directly access the Nway auto-negotiation status from CSR20. Detailed format information please refer to MX98715BEC data sheet.

## 4.5 EEPROM ACCESSING

The following is a reference code for accessing the contents of EEPROM that stores ID information and node configuration for the MX98715BEC.

```

/*****
 * Read all content from EEPROM
 *****/
eeprom_read()
{
    unsigned int i, address, eeval;
    char bit;
    for (address=0; address<64; address++){
        NIC_write_reg(&csr9,(unsigned long)0x04800);
        eeprom_serial_in(0);
        eeprom_serial_in(1); //command
        eeprom_serial_in(1);
        eeprom_serial_in(0);
        for(i=0; i<6; i++){ //address serial in
            bit = ((address>>(5-i)) & 0x01) ? 1:0;
            eeprom_serial_in(bit);
        }
        eeval=0;
        for(i=0; i<16; i++){ //dat serial out
            NIC_write_reg(&csr9,(unsigned long)0x04803);
            NIC_read_reg(&csr9);
            eeval += (((unsigned long)0x008 & csr9.value)>>3)<<(15-i);
        }
        NIC_write_reg(&csr9,(unsigned long)0x04801);
    }
    NIC_write_reg(&csr9,(unsigned long)0x04800);
    c46[address*2] = eeval & 0x0ff;
    c46[address*2+1] = (eeval >>8) & 0x0ff;
}

/*****
 * Write a word to EEPROM
 *****/
eeprom_write(unsigned int address, unsigned int data)
{
    unsigned int i;
    char bit;
    eeprom_wen();
    NIC_write_reg(&csr9,(unsigned long)0x04800);
    eeprom_serial_in(0);
    eeprom_serial_in(1); //command
    eeprom_serial_in(0);
    eeprom_serial_in(1);
}

```

```

for(i=0; i<6; i++){    //address serial in
    bit = ((address>>(5-i)) & 0x01) ? 1:0;
    eeprom_serial_in(bit);
}
for(i=0; i<16; i++){    //data serial in
    bit = ((data>>(15-i)) & 0x01) ? 1:0;
    eeprom_serial_in(bit);
}
NIC_write_reg(&csr9,(unsigned long)0x04800);
NIC_write_reg(&csr9,(unsigned long)0x04801);
i=0;
do{
    i++;
    NIC_read_reg(&csr9);
} while (!(csr9.value & 0x08) && (i<10000));
NIC_write_reg(&csr9,(unsigned long)0x04800);
if (i==10000) prstrng ("Writing EEPROM error !!");
eeprom_wds();
}

```

```

eeprom_wen()
{
    NIC_write_reg(&csr9,(unsigned long)0x04800);
    eeprom_serial_in(0);
    eeprom_serial_in(1);
    eeprom_serial_in(0);
    eeprom_serial_in(0);
    eeprom_serial_in(1);
    eeprom_serial_in(1);
    eeprom_serial_in(1);
    eeprom_serial_in(0);
    eeprom_serial_in(0);
    eeprom_serial_in(0);
    eeprom_serial_in(0);
    eeprom_serial_in(0);
    NIC_write_reg(&csr9,(unsigned long)0x04800);
}

```

```

eeprom_wds()
{
    NIC_write_reg(&csr9,(unsigned long)0x04800);
    eeprom_serial_in(0);
    eeprom_serial_in(1);
    eeprom_serial_in(0);
    eeprom_serial_in(0);
    eeprom_serial_in(0);
    eeprom_serial_in(0);
    eeprom_serial_in(0);
    eeprom_serial_in(0);
    eeprom_serial_in(0);
    eeprom_serial_in(0);
    NIC_write_reg(&csr9,(unsigned long)0x04800);
}

```

```

/*****
 * Serial inject a bit to EEPROM
 *****/
eeprom_serial_in(unsigned int bit2)
{
    NIC_write_reg(&csr9,(unsigned long)0x04800+4*bit2);
    NIC_write_reg(&csr9,(unsigned long)0x04803+4*bit2);
    NIC_write_reg(&csr9,(unsigned long)0x04801+4*bit2);
}

```

#### 4.6 AUTO-COMPENSATION ON TRANSCEIVER

The driver must set bits CSR20<9> and CSR20<14> high to enable auto-compensation function. Be careful not to clear these two bits while accessing CRS20 at any time.

## 5. PCB layout recommendation

### Introduction:

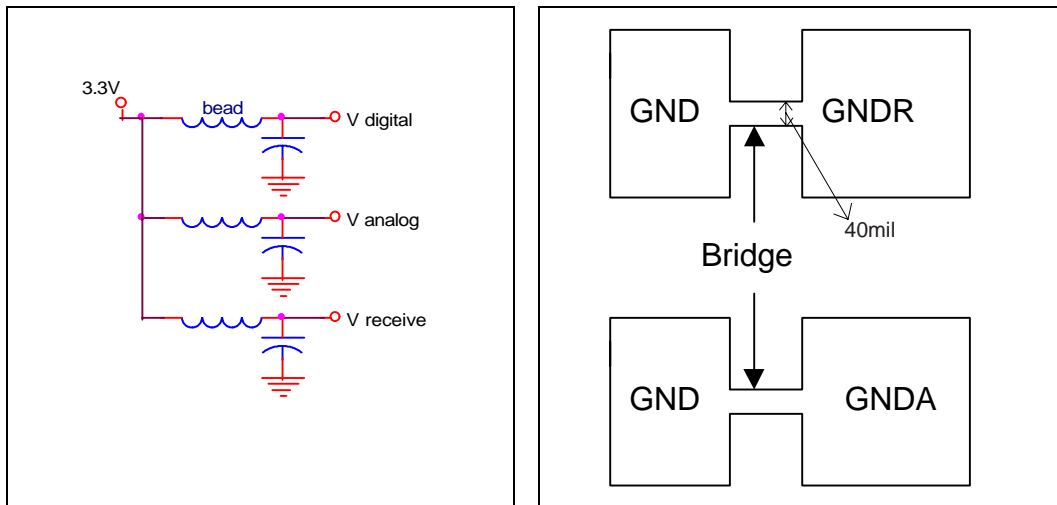
Due to the high frequency and the increasing degree of integration, system board designs are becoming complex. The purpose of this section is to give system designer more information. Such as power stability, placement, signal trace routing and de-coupling capacitor.

### 5.1 Power / Ground consideration

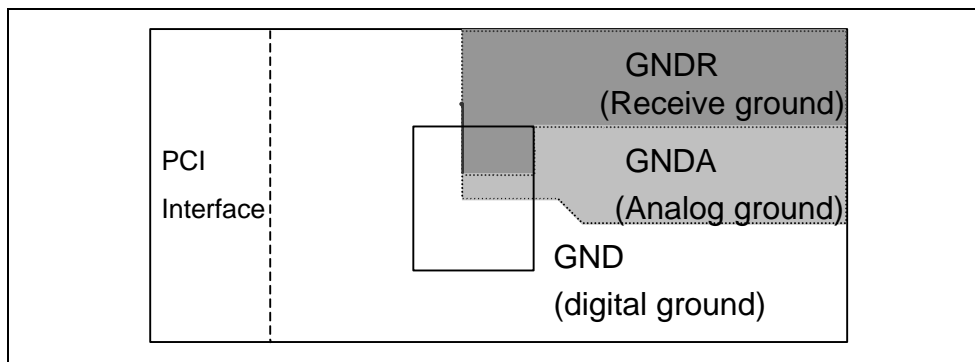
It is recommended to separate power plane into 3 domains (Power for digital , analog and receive section). Segmented power supplies reduces noise from one section to another.

It is also recommended to separate ground plane into 3 domains ( Digital Ground, Analog Ground and Receive Ground). The reason for separating is to prevent digital noise from coupling onto the analog or receive ground.

All power/ground lines should be as wide as possible to allow noise de-coupling and efficient low resistive paths for supply current.

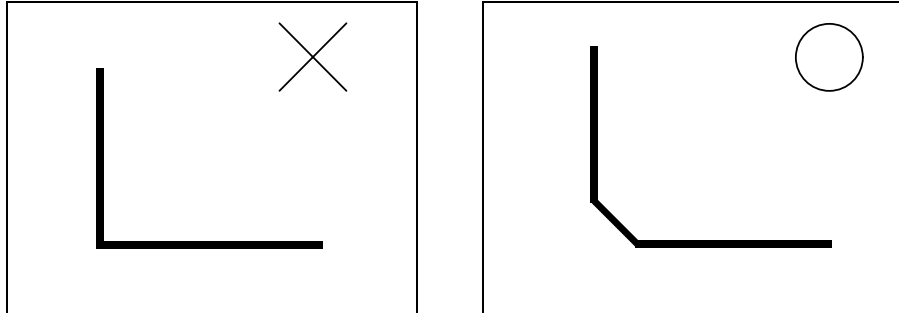


Depending upon the environment, any or all of these filters may be simplified.



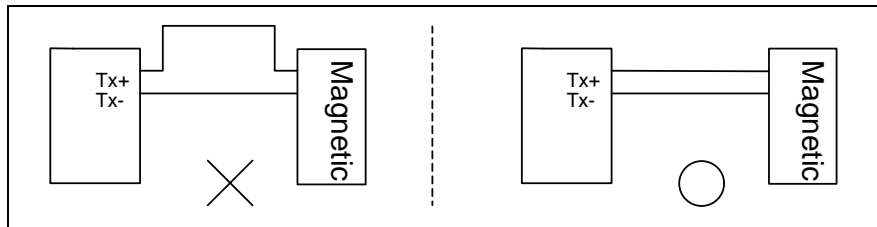
## 5.2 Board Layout / Trace Routing

- 90 degree corners should be avoided, smooth cornering is preferred.

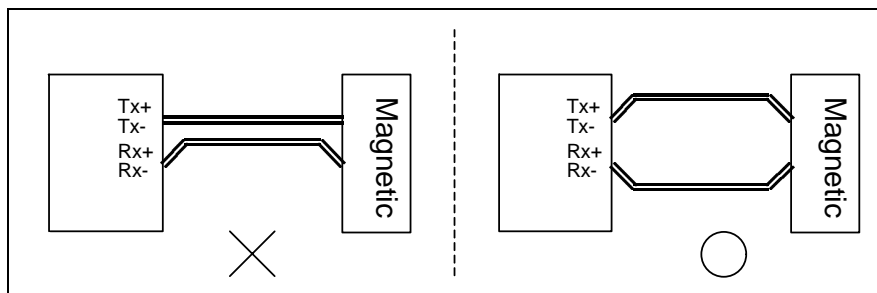


- Keep the lengths of clock lines short and minimize the numbers of VIAs.

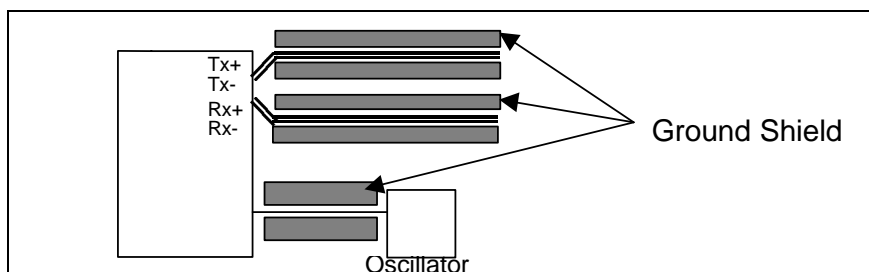
- All pair lines ( i.e. TX+/- , RX+/-) are of the equal length and run in parallel then possible noise is common and can be ignored on different inputs.



- A good practice is that never run transmit and receive pair too close. Crosstalk may become a problem.

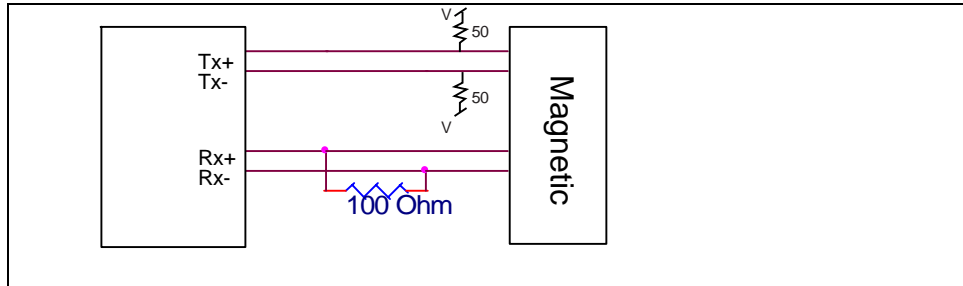


- The ground shield of clock line may reduce extra noise.

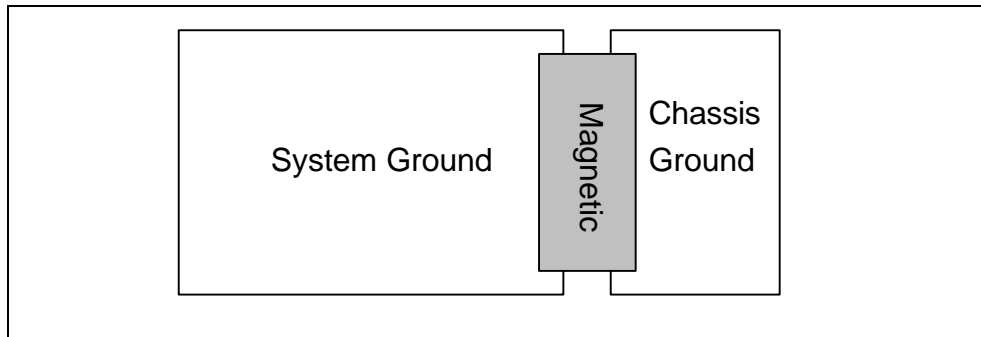




- All differential pair ( Tx +/- , Rx +/-) to the magnetic should have matched impedance. See schematics for details.



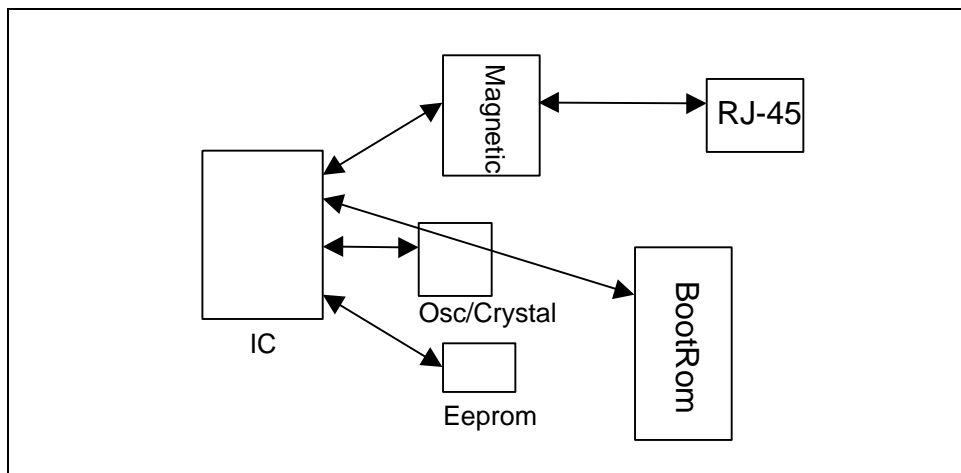
- A chassis ground is used to isolate the cable side and ground.



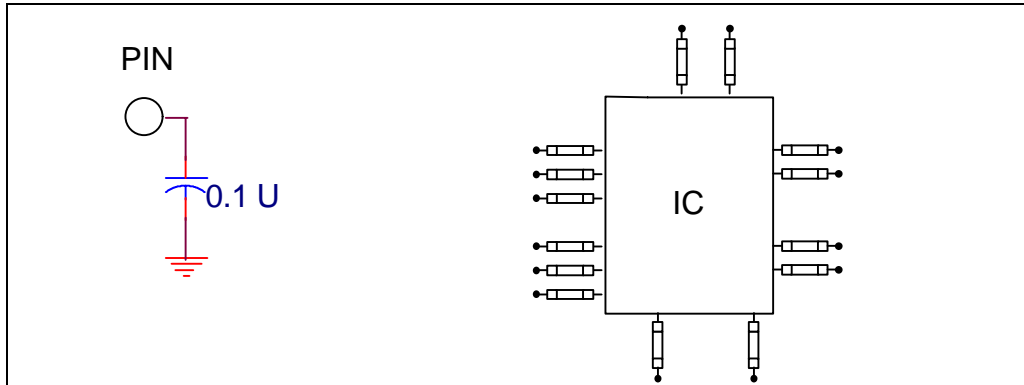
### 5.3 Component placement

General:

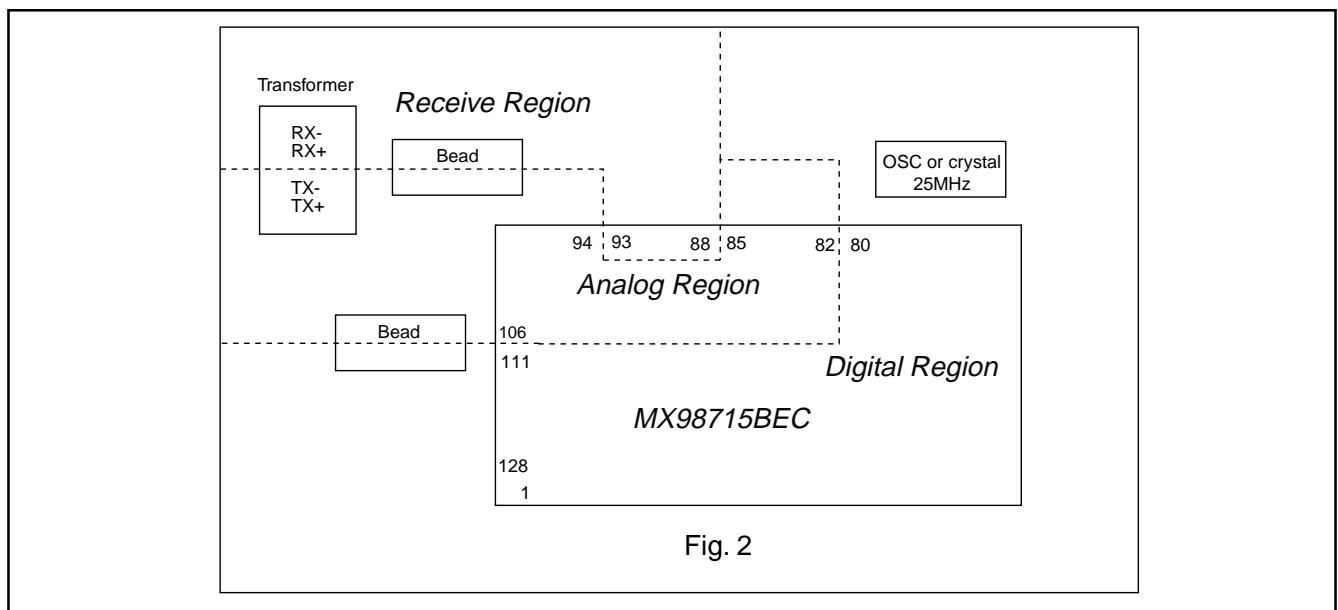
External components are placed as close as possible



- De-coupling capacitor  
De-coupling cap should be placed close to power pin. It stabilize current to the device and de-coupling noise from the power plane to ground.



Analog Region		Receive Region	Digital Region
82.VDD	83.GND	88.GND	Others
85.VDD	84.GND	89.VDD	
94.VDD	95.GND	90.GND	
97.VDD	96.GND	91.VDD	
103.VDD	100.GND		
105.VDD	101.GND		
	104.GND		
	106.GND		



**APPENDIX A: EEPROM FORMAT**

BYTE OFFSET (HEX)	DESCRIPTIONS
00-13	Reserved
14	MAC ID Byte0 ( is automatically loaded into IC )
15	MAC ID Byte1 ( is automatically loaded into IC )
16	MAC ID byte2 ( is automatically loaded into IC )
17	MAC ID byte3 ( is automatically loaded into IC )
18	MAC ID byte4 ( is automatically loaded into IC )
19	MAC ID byte5 ( is automatically loaded into IC )
1a	Magic Packet ID Byte0 ( is automatically loaded into IC )
1b	Magic Packet ID Byte1 ( is automatically loaded into IC )
1c	Magic Packet ID Byte2 ( is automatically loaded into IC )
1d	Magic Packet ID Byte3 ( is automatically loaded into IC )
1e-39	Reserved
3a	Magic Packet ID Byte4 ( is automatically loaded into IC )
3b	Magic Packet ID Byte5 ( is automatically loaded into IC )
3c-59	Reserved
5a	LSB of Sub-Device ID ( is automatically loaded into IC )
5b	MSB of Sub-Device ID ( is automatically loaded into IC )
5c	LSB of Sub-Vendor ID ( is automatically loaded into IC )
5d	MSB of Sub-Vendor ID ( is automatically loaded into IC )
5e-65	Reserved
66	bit0 : must be 0, modem interface disable
67	bit0 : CRUNEN : Control the functionality of CLKRUNB pin 0 : MX98715BEC always refuses to slow or stop the clock 1 : MX98715BEC will agree to slow or stop the clock  bit1 : Trdysel : IBM bridge bug fix bit4 : HWDISWOL : Disable the wake-on-Lan feature bit7 : MISHW7 : Select the power of PMD while system power up. 1 : power on the PMD. 0 : power down the PMD.
68	MLDTHRE1 [5 : 0] bit0~bit5 loaded into CSR33 [11 : 6]
6A	MLDTHRE3 [5 : 0] bit0~bit5 loaded into CSR33 [23 : 18]
6B	MLDTHRE2 [5 : 0] bit0~bit5 loaded into CSR33 [17 : 12]
6C	MLDTHRE2 [5 : 0] bit0~bit5 loaded into CSR34 [23 : 18]

6D	MGCTHRE1 [5 : 0] bit0~bit5 loaded into CSR34 [17 : 12]																		
6E	MVCRTHRE2 [5 : 0] bit0~bit5 loaded into CSR34 [11 : 6]																		
6F	MVCPHRE1 [5 : 0] bit0~bit5 loaded into CSR34 [5 : 0]																		
70	Network ID index: to indicates the starting address of Network ID in length of continuous 6 bytes. The content of this field could be in the range of 00-04h, or 10-14h, or 21-24h, or 31-34h. IC always automatically load ID from 14h after reset or power up.																		
71-75	Reserved, and should be set to 0																		
76	LED option: The content of this field is automatically loaded into CSR9 register for LED option. Bit0:CSR9<28>=LED0SEL Bit1:CSR9<29>=LED1SEL Bit2:CSR9<30>=LEDSEL2 Bit3:CSR9<31>=LEDSEL3 Bit4:CSR9<24>=LEDSEL4 Bit5:CSR9<25>:WKFCAT0 Bit6:CSR9<26>:WKFCAT1 Bit7:Must be zero																		
	LED programing option table																		
	<table border="1"> <thead> <tr> <th></th> <th>0</th> <th>1</th> </tr> </thead> <tbody> <tr> <td>LED0SEL</td> <td>ACT</td> <td>SPEED</td> </tr> <tr> <td>LED1SEL</td> <td>LINK</td> <td>LINK/ACT</td> </tr> <tr> <td>LED2SEL</td> <td>SPEED</td> <td>COL</td> </tr> <tr> <td>LED3SEL</td> <td>RX</td> <td>FULL/HALF</td> </tr> <tr> <td>LED4SEL</td> <td>COL</td> <td>PMEB</td> </tr> </tbody> </table>		0	1	LED0SEL	ACT	SPEED	LED1SEL	LINK	LINK/ACT	LED2SEL	SPEED	COL	LED3SEL	RX	FULL/HALF	LED4SEL	COL	PMEB
	0	1																	
LED0SEL	ACT	SPEED																	
LED1SEL	LINK	LINK/ACT																	
LED2SEL	SPEED	COL																	
LED3SEL	RX	FULL/HALF																	
LED4SEL	COL	PMEB																	
77	Miscellaneous options is automatically loaded into CSR21 register & IC. : Bit0:MPHITDIS : set 1 to disable magic packet detection loaded into CSR21.2 Bit1:LNKCHGDIS : Set 1 to disable link packet detection loaded into CSR21.3 Bit2:Retry bug fix. Bit3:WKFCATEN, wake up frame catenation enable.																		
78-79	Reserved, and should be set to 0																		
7a	LSB of Device ID																		
7b	MSB of Device ID																		
7c	LSB of Vendor ID																		
7d	MSB of Vendor ID																		
7e-7f	Reserved, and should be set to 0																		

**APPENDIX B: SPECIAL COMPONENTS**
**1.MAGNETIC**
**A.BASIC ELECTRICAL SPECIFICATION**

Turn Ratio	Transmit	1:1
	Receive	1:1
OCL	350uH min measured between 0 and 70°C with a 0.1V rms, 100KHz signal at a DC. bias between 0 and 8mA.	
LL	0.4uH Max at >1MHz	
Cww	18pF Max	
DCR	0.9W Max per winding	
Isolation Resistance	not less than 1GW @ 2000V rms	
Isolation Voltage	2000V rms Min @ 60Hz for 1 min	
Rise/Fall Time	3ns Min 4ns Max	
Insertion Loss (100 KHz to 100 MHz)	-1.1 dB Max	
CMDR & DCMR (100 KHz to 80 MHz)	38 dB Min	
Cross Talk (100KHz to 80 MHz)	-38 dB Max	

**B. Transformer REFERENCE VENDORS**

Vendor	Part No
Valor	ST6118 (PT4171S)
PE	PE68515
BelFuse	S558-5999-15
Delta	LF8200
Taimic	HSIP-002

**2.CRYSTAL**
**A. BASIC ELECTRICAL SPECIFICATION**

$$C_L = ((C_1 * C_2) / (C_1 + C_2)) + C_{ic} + \Delta C, R_d \doteq 100 \text{ ohm}, R \doteq 1M \text{ ohm}$$

$C_L$  = Crystal's external load capacitor  
Specified by crystal's specification

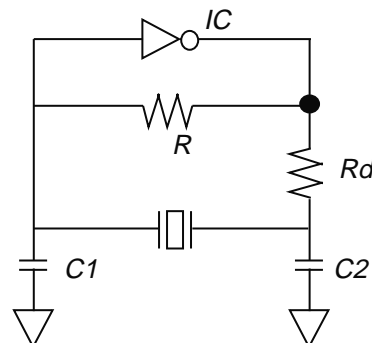
$C_{ic}$  = MX98715BEC internal capacitor,  $\doteq 7pF$

$\Delta C$  = PCB's stray capacitance

Assume  $C_1 = C_2 = C_{Ext}$ ,  $\Delta C = 3pf$ ,

$$C_L = 1/2 C_{Ext} + 7pf + 3pf$$

if  $CL = 20pf$ , then  $C_{Ext} = C_1 = C_2 = 20pf$ .





**B. CRYSTAL REFERENCE VENDORS**

SPK 25MHz±50PPM  
NDK  
JEN JAAN ENTERPRISE

**3. SPECIAL REQUIREMENT ON RESISTORS & BEAD**

Resistors for  $R_{TX}=1K \text{ ohm} \pm 1\%$   
Ferrite Bead maximum current capacity for analog  $V_{dd} \geq 300\text{mA}$   
Ferrite Bead maximum current capacity for Receive Region  $V_{dd} \geq 100\text{mA}$



**REVISION HISTORY**

<b>REVISION</b>	<b>DESCRIPTION</b>	<b>PAGE</b>	<b>DATE</b>
0.0			MAR/27/2000
0.1	modify PCB recommendation	P7	JUL/11/2000
0.2	modify analog region receive region & fig.2	P10	NOV/30/2000
	modify special requirement on resistors & bead	P14	



**TOP SIDE MARKING**

MX98715BEC	line 1 : MX98715B is MXIC parts No. "E" : PQFP "C" : commercial grade
C9930 TA777001	line 2 : Assembly Date Code. line 3 : Wafer Lot No.
TAIWAN	line 4 : State

---

**MACRONIX INTERNATIONAL Co., LTD.**

**HEADQUARTERS:**

TEL:+886-3-578-6688

FAX:+886-3-578-2888

**EUROPE OFFICE:**

TEL:+32-2-456-8020

FAX:+32-2-456-8021

**JAPAN OFFICE:**

TEL:+81-44-246-9100

FAX:+81-44-246-9105

**SINGAPORE OFFICE:**

TEL:+65-347-8385

FAX:+65-348-8096

**TAIPEI OFFICE:**

TEL:+886-2-2509-3300

FAX:+886-2-2509-2200

**MACRONIX AMERICA, INC.**

TEL:+1-408-453-8088

FAX:+1-408-453-8488

**CHICAGO OFFICE:**

TEL:+1-847-963-1900

FAX:+1-847-963-1909

**[http : //www.macronix.com](http://www.macronix.com)**