

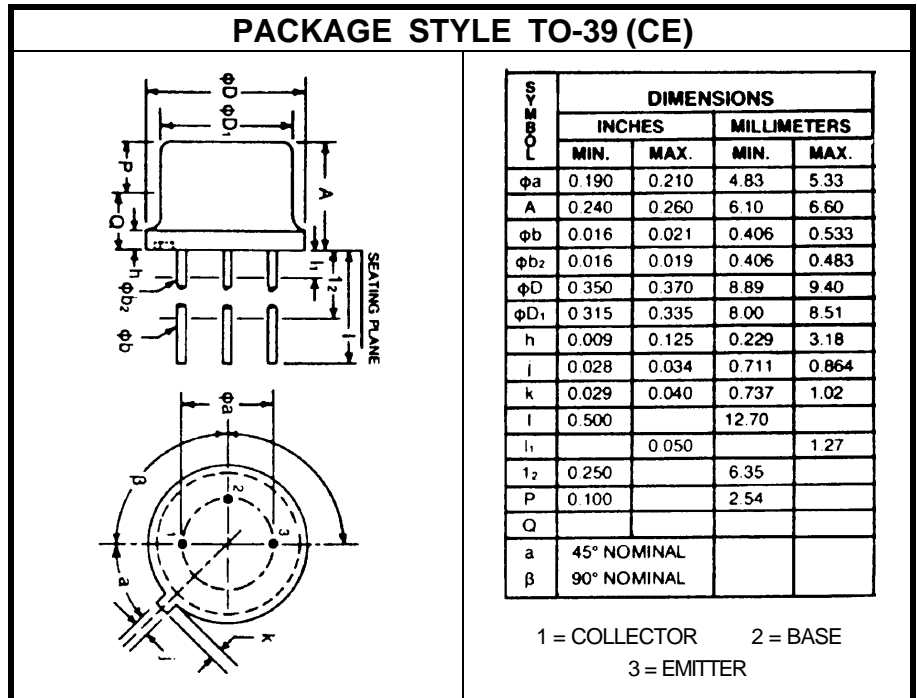
# NPN SILICON HIGH FREQUENCY TRANSISTOR

**DESCRIPTION:**

The **TP2314A** is a High Frequency Transistor Designed for Large Signal Power Amplifier Applications, With Emitter Grounded to Case.

**MAXIMUM RATINGS**

<b>I</b>	400 mA
<b>V</b>	16 V
<b>P<sub>DISS</sub></b>	5.0 W @ T <sub>C</sub> = 25 °C
<b>T<sub>J</sub></b>	-65 °C to +200 °C
<b>T<sub>STG</sub></b>	-65 °C to +200 °C
<b>q<sub>JC</sub></b>	35 °C/W


**CHARACTERISTICS** T<sub>C</sub> = 25 °C

SYMBOL	TEST CONDITIONS	MINIMUM	TYPICAL	MAXIMUM	UNITS
<b>BV<sub>CEO</sub></b>	I <sub>C</sub> = 50 mA	16			V
<b>BV<sub>CES</sub></b>	I <sub>C</sub> = 50 mA	36			V
<b>BV<sub>CBO</sub></b>	I <sub>C</sub> = 50 mA	36			V
<b>I<sub>CBO</sub></b>	V <sub>CB</sub> = 15 V			1.0	mA
<b>BV<sub>EBO</sub></b>	I <sub>E</sub> = 1.0 mA	4.0			V
<b>h<sub>FE</sub></b>	V <sub>CE</sub> = 5.0 V    I <sub>C</sub> = 50 mA	20		200	---
<b>C<sub>ob</sub></b>	V <sub>CB</sub> = 12.5 V    f = 1.0 MHz			15	pF
<b>G<sub>PE</sub></b> <b>h</b>	V <sub>CC</sub> = 6.0 V    P <sub>out</sub> = 1.0 W    f = 175 MHz	6.0	50		dB %