

# ILA1238NS

## FM/AM STEREO RADIORECEIVER

### DESCRIPTION

ILA1238NS is a high performance one - chip bipolar ICS designed for FM/AM stereo radios. These include an FM/AM front end, FM/AM IF amplifier, FM/AM detection output and FM stereo demodulator output. Bipolar silicon monolithic IC.

### FEATURES

- Low current consumption  
(In FM mode  $I_D = 11.0$  mA, in AM mode 8.5 mA,  $V_{CC} = 6.0V$ ).
- Built - in LED drive circuit for tuning.
- Built - in LED drive circuit for stereo indicator.
- Built - in detune muting circuit for the FM band.
- Few external parts.

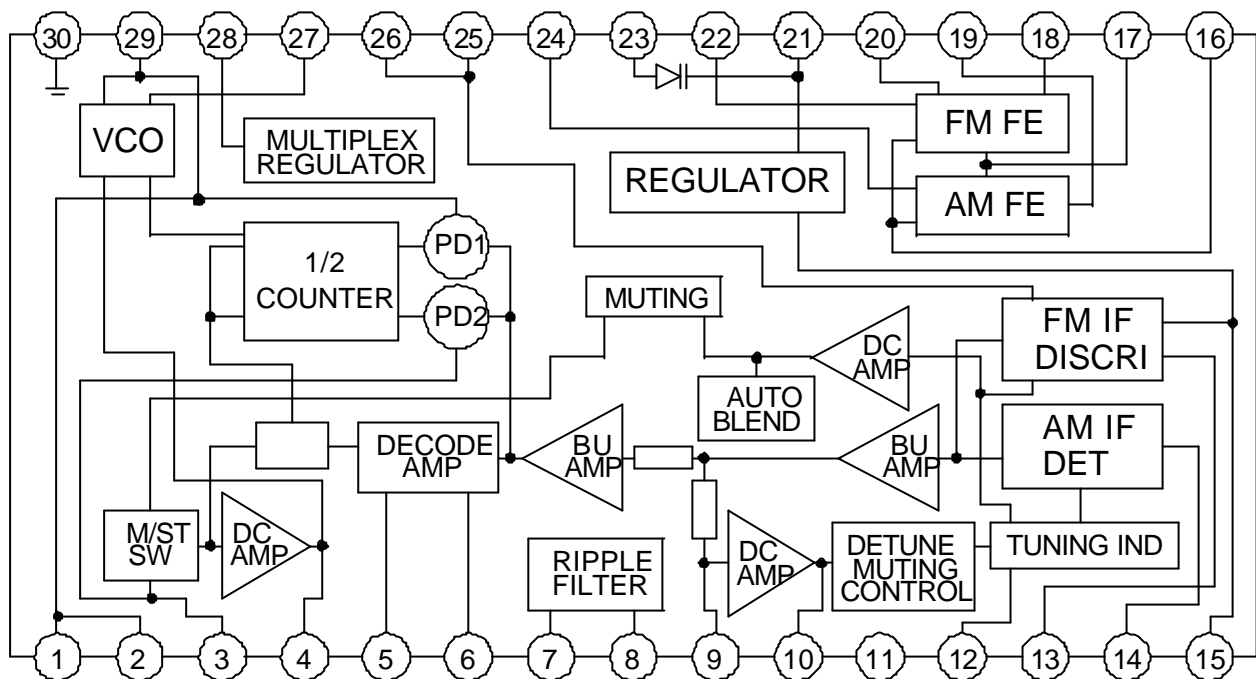
### ELECTRICAL CHARACTERISTICS ( $T_A = 25^\circ C$ )

Symbol	Parameter	Test Conditions	Guaranteed Limits			Unit
			Min	Typ	Max	
$I_{D1/D2}$	AM/FM circuit current	No signal AM/FM		8.5/11	12.0/ 15.0	mA
$G_{V1}$	FM front end voltage gain	$V_{IN1} = 40dBmV, 100MHz$	28	35	42	dB
$V_{D1/D3}$	FM/AM detection output level		35	77.5	138	$V_{RMS}$
$V_{D2}$	FM IF knee level			25	31	dBmV
$T_{HD1/HD2}$	FM/AM detection output distortion factor			0.3/0.6	2.0	%
$G_{V2}$	AM front end voltage gain	$V_{IN2} = 60dBmV, 1660kHz$	19	24	28	dB
$G_{V3}$	AM IF voltage gain		15	21	29	dB
SEP	Separation		30	40		dB
$V_{I1}$	M/ST switching level by IF input		38	43	48	dBmV
$A_1$	FM Mute	$V_{in5}=245mV_{rms},$ MONO,1kHz ATT	16	23	30	dB

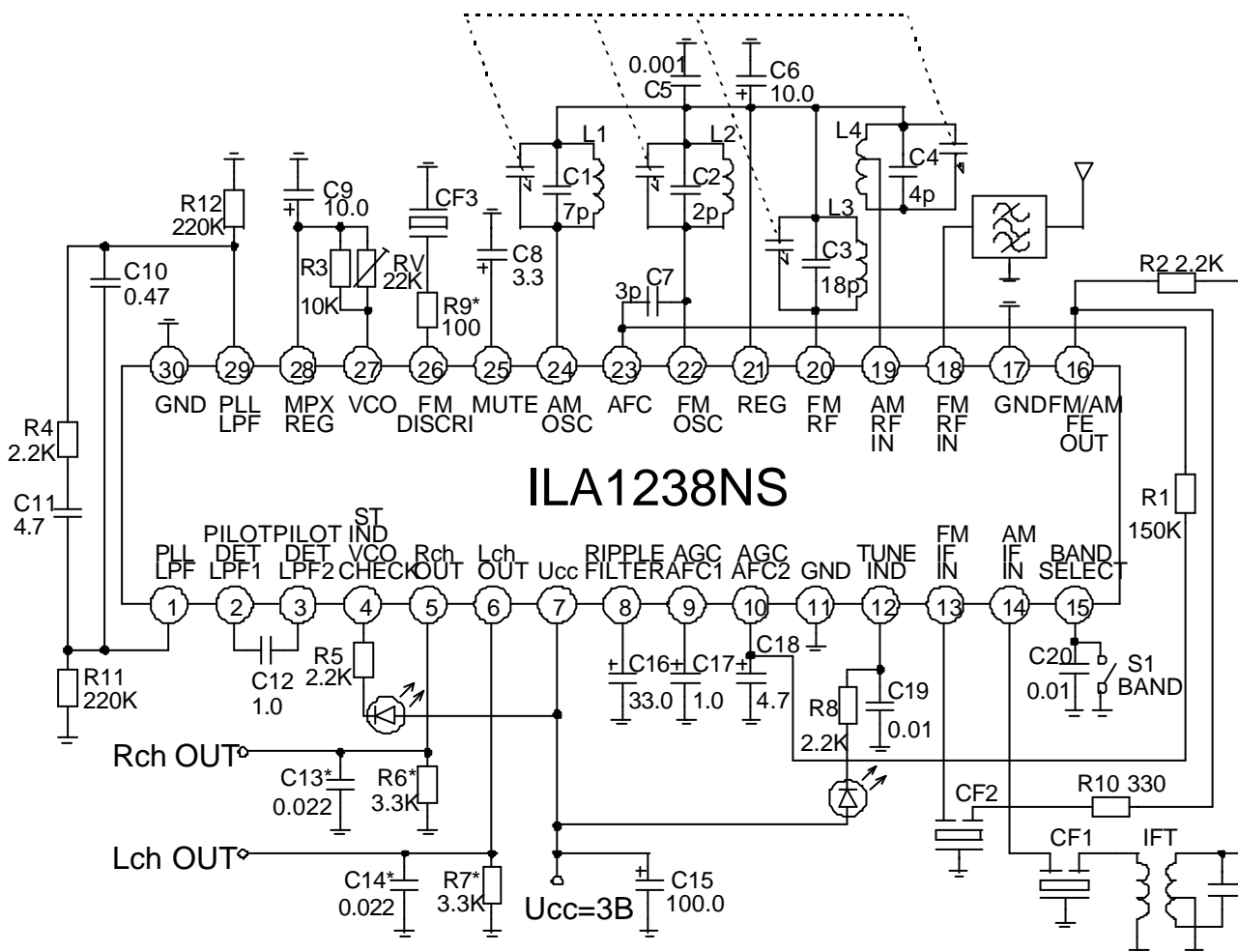


# ILA1238NS

## BLOCK-SCHEME



## APPLICATION CIRCUIT



Korzhenevsky 12, Minsk, 220064, Republic of Belarus  
 Fax: +375 (17) 278 28 22,  
 Phone: +375 (17) 278 07 11, 277 24 70, 277 24 61,  
 277 69 16  
 E-mail: belms@belms.belpak.minsk.by  
 URL: www.bms.by