

ZERO RECOVERY™ RECTIFIER

Features

- 600 Volt Schottky Rectifier
- Zero Reverse Recovery
- Zero Forward Recovery
- High Frequency Operation
- Temperature Independent Switching Behavior
- Extremely Fast Switching
- Positive Temperature Coefficient on V_f

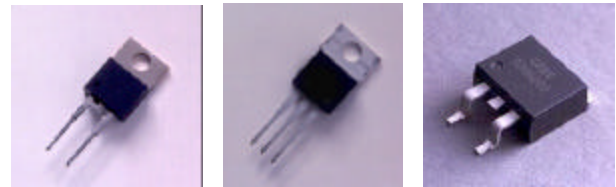
Benefits

- Replace Bipolar with Unipolar Rectifiers
- Essentially No Switching Losses
- Higher Efficiency
- Reduction Of Rectifier Heat Sink
- Parallel Devices without Thermal Runaway

Applications

- Switch Mode Power Supplies
- Power Factor Correction
- Motor Control

Package



Maximum Ratings

| Parameter | Symbol | Value | Unit |
|---|----------------|-------------|-------------|
| Repetitive Peak Reverse Voltage | V_{RRM} | 600 | V |
| Surge Peak Reverse Voltage | V_{RSM} | 600 | V |
| DC Blocking Voltage | V_{DC} | 600 | V |
| Average Forward Current $T_C=150^{\circ}C$ | $I_{F(AV)}$ | 10 | A |
| Repetitive Peak Forward Surge Current $T_C=25^{\circ}C$, $t_P=8.3ms$, Half Sine Wave | I_{FRM} | 50 | A |
| Non-Repetitive Peak Forward Surge Current $T_C=25^{\circ}C$, $t_P=10\mu s$, Pulse | I_{FSM} | 250 | A |
| Power Dissipation $T_C = 25^{\circ}C$ | P_{tot} | 136.3 | W |
| Operating Junction and Storage Temperature | T_J, T_{stg} | -55 to +175 | $^{\circ}C$ |

ELECTRICAL CHARACTERISTICS

| Parameter | Symbol | Min | Typ | Max | Units |
|---|--------|-----|-----------------|-------------|---------|
| Forward Voltage $I_F = 10A$ $T_J = 25^\circ C$ $I_F = 10A$ $T_J = 175^\circ C$ | V_F | | 1.6 2.0 | 1.8 2.4 | V |
| Reverse Current $V_R = 600V$ $T_J = 25^\circ C$ $V_R = 600V$ $T_J = 175^\circ C$ | I_R | | 50 100 | 200 1000 | μA |
| Total Capacitive Charge $V_R = 600V, I_F = 10A, di/dt = 500 A/\mu s, T_J = 25^\circ C$ | Q_C | | 28 | | nC |
| Total Capacitance $V_R = 0V, T_J = 25^\circ C, f = 1MHz$ $V_R = 200V, T_J = 25^\circ C, f = 1MHz$ $V_R = 400V, T_J = 25^\circ C, f = 1MHz$ | C | | 550 65 50 | | pF |

NOTE:

1. This is a majority carrier diode, so there is no reverse recovery charge.

THERMAL CHARACTERISTICS

| Characteristic | Symbol | Min | Typ | Max | Units |
|--|-----------------|-----|-----|-----|--------------|
| Thermal Resistance from Junction to Case | $R_{\theta JC}$ | | 1.1 | | $^\circ C/W$ |

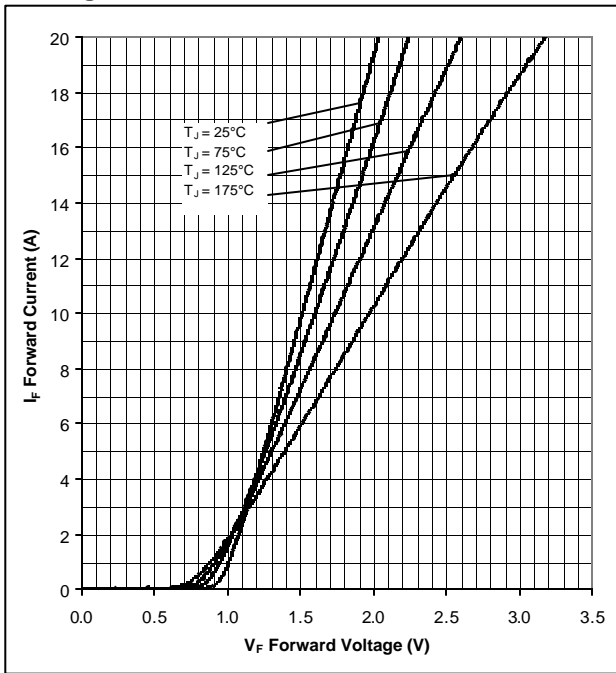
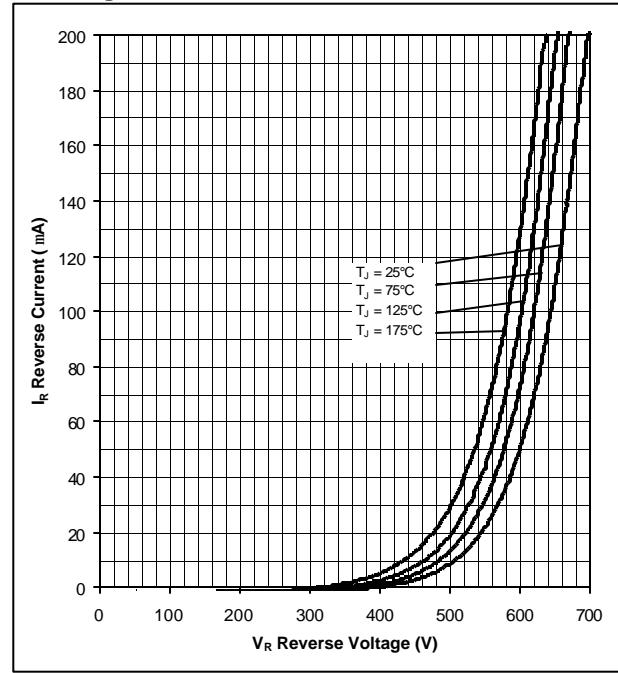
Typical Performance
Figure 1. Forward Characteristics

Figure 2. Reverse Characteristics


Figure 3. Current Derating

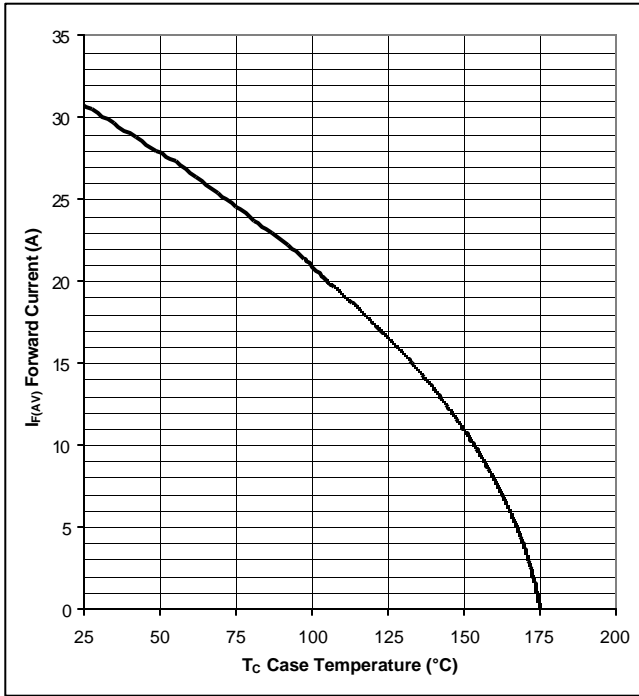


Figure 4. Capacitance vs. Reverse Voltage

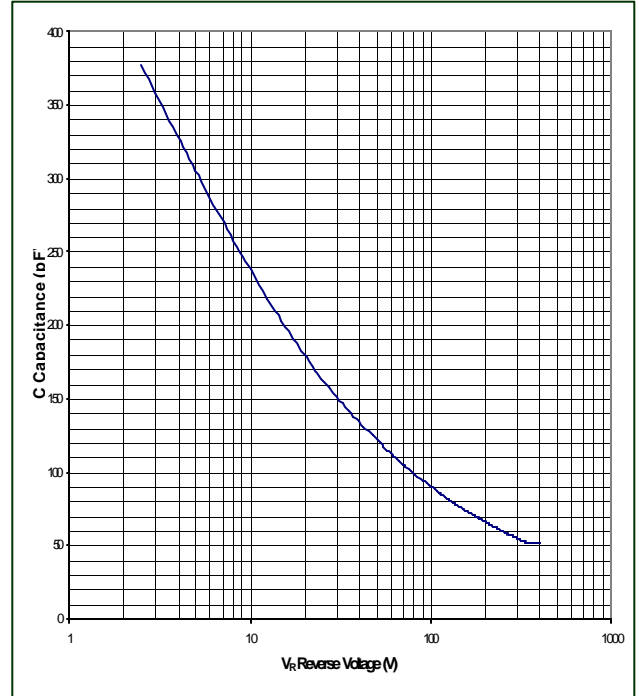
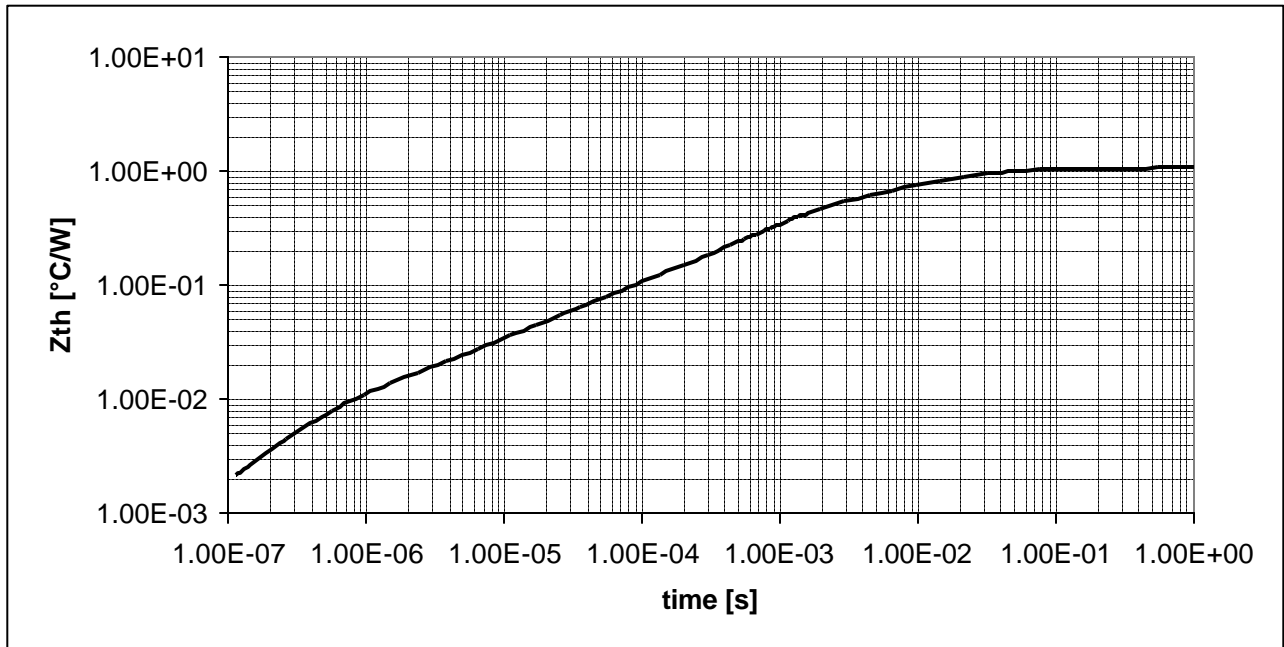
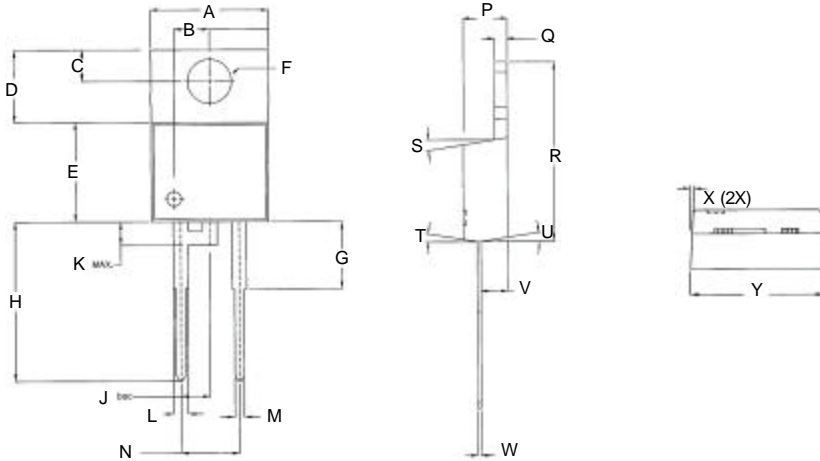


Figure 5. Transient Thermal Impedance



Package Dimensions

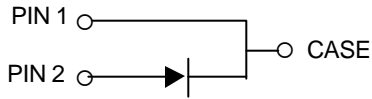
Package TO-220-2



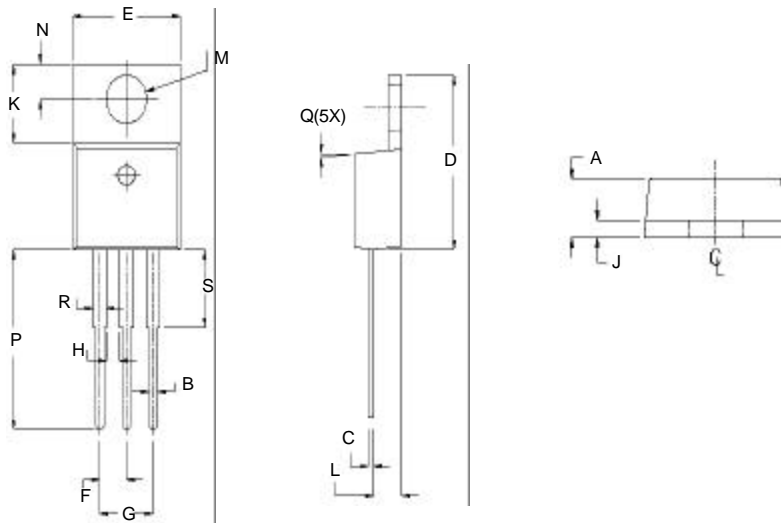
| POS | Inches | | Millimeters | |
|-----|----------|------|-------------|--------|
| | Min | Max | Min | Max |
| A | .402 | .408 | 10.211 | 10.364 |
| B | .120 | .124 | 3.048 | 3.150 |
| C | .106 | .110 | 2.692 | 2.794 |
| D | .245 | .251 | 6.223 | 6.375 |
| E | .335 | .345 | 8.509 | 8.763 |
| F | .149 | .153 | 3.784 | 3.886 |
| G | .220 | .240 | 5.588 | 6.096 |
| H | .540 | .550 | 13.716 | 13.970 |
| J | .100 REF | | 2.540 REF | |
| K | | .080 | | 2.032 |
| L | .050 | .056 | 1.270 | 1.922 |
| M | .032 | .038 | .813 | .956 |
| N | .197 | .203 | 5.004 | 5.156 |
| P | .170 | .180 | 4.318 | 4.572 |
| Q | .048 | .052 | 1.219 | 1.321 |
| R | .583 | .593 | 14.808 | 15.062 |
| S | 6.5° | 8.5° | 6.5° | 8.5° |
| T | 6.5° | 8.5° | 6.5° | 8.5° |
| U | 6.5° | 8.5° | 6.5° | 8.5° |
| V | .103 | .107 | 2.616 | 2.718 |
| W | .015 | .021 | .381 | .533 |
| X | 2.0° | 4.0° | 2.0° | 4.0° |
| Y | .396 | .406 | 10.058 | 10.312 |

NOTE:

1. Dimension L, M, W apply for Solder Dip Finish.



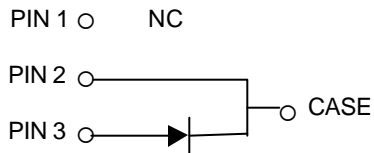
Package TO-220-3



| POS | Inches | | Millimeters | |
|-----|----------|------|-------------|-------|
| | Min | Max | Min | Max |
| A | .160 | .190 | 4.06 | 4.83 |
| B | .025 | .040 | 0.63 | 1.02 |
| C | .015 | .022 | 0.38 | 0.56 |
| D | .560 | .590 | 14.22 | 14.99 |
| E | .385 | .415 | 9.78 | 10.54 |
| F | .090 | .110 | 2.29 | 2.79 |
| G | .190 | .210 | 4.83 | 5.33 |
| H | .045 | .055 | 1.14 | 1.40 |
| J | .045 | .055 | 1.14 | 1.40 |
| K | .234 | .258 | 5.94 | 6.55 |
| L | .090 | .115 | 2.29 | 2.92 |
| M | .146 | .156 | 3.71 | 3.96 |
| N | .103 | .113 | 2.62 | 2.87 |
| P | .540 | .560 | 13.72 | 14.22 |
| Q | 3° | 7° | 3° | 7° |
| R | .045 | .060 | 1.14 | 1.52 |
| S | .243 REF | | 6.17 REF | |

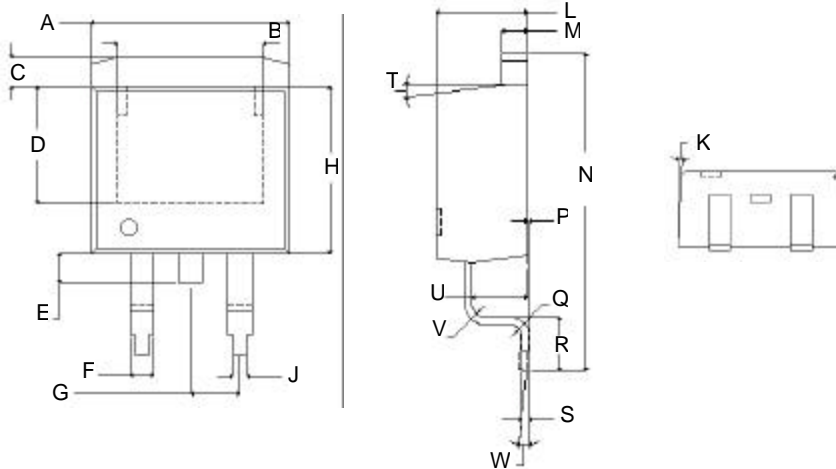
NOTE:

1. Dimension C apply for Solder Plate Finish.

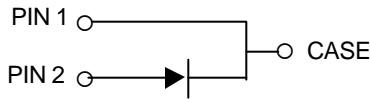


Package Dimensions (Cont.)

Package TO-263-2



| POS | Inches | | Millimeters | |
|-----|-----------|-----------|-------------|-----------|
| | Min | Max | Min | Max |
| A | .396 | .406 | 10.058 | 10.312 |
| B | .297 | .303 | 7.544 | 7.696 |
| C | .057 | .063 | 1.448 | 1.600 |
| D | .237 | .243 | 6.015 | 6.167 |
| E | .050 | .070 | 1.270 | 1.778 |
| F | .048 | .052 | 1.219 | 1.321 |
| G | .100TYP | | 2.540TYP | |
| H | .335 | .345 | 8.509 | 8.763 |
| J | .028 | .032 | .711 | .813 |
| K | 2.0° | 4.0° | 2.0° | 4.0° |
| L | .170 | .180 | 4.318 | 4.572 |
| M | .048 | .052 | 1.219 | 1.321 |
| N | .595 | .615 | 15.113 | 15.621 |
| P | 0.00 | .010 | 0.00 | .254 |
| Q | R0.018TYP | R0.022TYP | R0.457TYP | R0.559TYP |
| R | .090 | .110 | 2.286 | 2.794 |
| S | .013 | .017 | .330 | .432 |
| T | 6.5° | 8.5° | 6.5° | 8.5° |
| U | .103 | .107 | 2.616 | 2.718 |
| V | R0.028TYP | R0.032TYP | R0.711TYP | R0.813TYP |
| W | -- | 5.0° | -- | 5.0° |



| Part Number | Package | Marking |
|-------------|----------|----------|
| CSD10060A | TO-220-2 | CSD10060 |
| CSD10060B | TO-220-3 | CSD10060 |
| CSD10060G | TO-263-2 | CSD10060 |

This product has not been designed or tested for use in, and is not intended for use in, applications implanted into the human body nor in applications in which failure of the product could lead to death, personal injury or property damage, including but not limited to equipment used in the operation of nuclear facilities, life-support machines, cardiac defibrillators or similar emergency medical equipment, aircraft navigation or communication or control systems, air traffic control systems, or weapons systems.

Copyright © 2001 Cree, Inc. All rights reserved. Permission is given to reproduce this document provided the entire document (including this copyright notice) is duplicated.

The information in this document is subject to change without notice.

Cree and the Cree logo are trademarks of Cree, Inc.

Cree, Inc.
 Power Products
 4600 Silicon Drive • Durham, NC 27703 • USA
 Tel: 919-313-5300 • Fax: 919-313-5451
www.cree.com