

JZC-42F

SUBMINIATURE INTERMEDIATE POWER RELAY



File No.:E170653



File No.:R2034199



File No.:CQC02001001939



Features

- 5A switching capabilities
- 2 Form A slim type
- Sealed IP67 and Flux proof type available

CONTACT DATA

| | |
|---------------------------------|-------------------------|
| Contact Arrangement | 2A |
| Initial Contact Resistance Max. | 100mΩ (at 1A 6VDC) |
| Contact Material | AgCdO, AgSnO |
| Contact Rating (Res. Load) | 5A 250VAC 5A 30VDC |
| Max. switching voltage | 250VAC/30VDC |
| Max. switching current | 5A |
| Max. switching power | 1250VA /150W |
| Mechanical life | 1 x 10 ⁶ OPS |
| Electrical life | 1 x 10 ⁶ OPS |

COIL

| | |
|------------|-------|
| Coil power | 0.53W |
|------------|-------|

COIL DATA

| Nominal Voltage VDC | Pick-up Voltage VDC | Drop-out Voltage VDC | Max. allowable Voltage VDC(at 20°C) | Coil Resistance Ω |
|---------------------|---------------------|----------------------|-------------------------------------|-------------------|
| 5 | 3.75 | 0.25 | 6.5 | 47 ± 10% |
| 6 | 4.50 | 0.30 | 7.8 | 68 ± 10% |
| 9 | 6.75 | 0.45 | 11.7 | 155 ± 10% |
| 12 | 9.00 | 0.60 | 15.6 | 270 ± 10% |
| 18 | 13.5 | 0.90 | 23.4 | 620 ± 10% |
| 24 | 18.0 | 1.20 | 31.2 | 1080 ± 10% |
| 48 | 36.0 | 2.40 | 62.4 | 4400 ± 10% |

CHARACTERISTICS

| | | |
|-----------------------------------|---------------------------|-----------------------|
| Initial Insulation Resistance | 1000MΩ (500VDC) | |
| Dielectric Strength | Between coil and Contacts | 4000VAC 1min. |
| | Between open contacts | 1000VAC 1min. |
| | Between contact sets | 1000VAC 1min. |
| Operate time (at nomi. Volt.) | Max. 15ms | |
| Release time (at nomi. Volt.) | Max. 10ms | |
| Temperature rise (at nomi. Volt.) | Max. 55°C | |
| Humidity | 5% to 85%RH | |
| Ambient temperature | -40°C to +70°C | |
| Shock Resistance | Functional | 100 m/s ² |
| | Destructive | 1000 m/s ² |
| Vibration Resistance | 10 to 55Hz | |
| Termination | PCB | |
| Unit weight | Approx. 14.5g | |
| Construction | Sealed IP67 & Flux proof | |

SAFETY APPROVAL RATINGS

| | |
|-----|-------------------------|
| UL | 5A 250VAC |
| | 5A 30VDC TV-3 125VAC |
| TÜV | 5A 250VAC cos phi=1 |
| | 5A 30VDC L/R=0 |

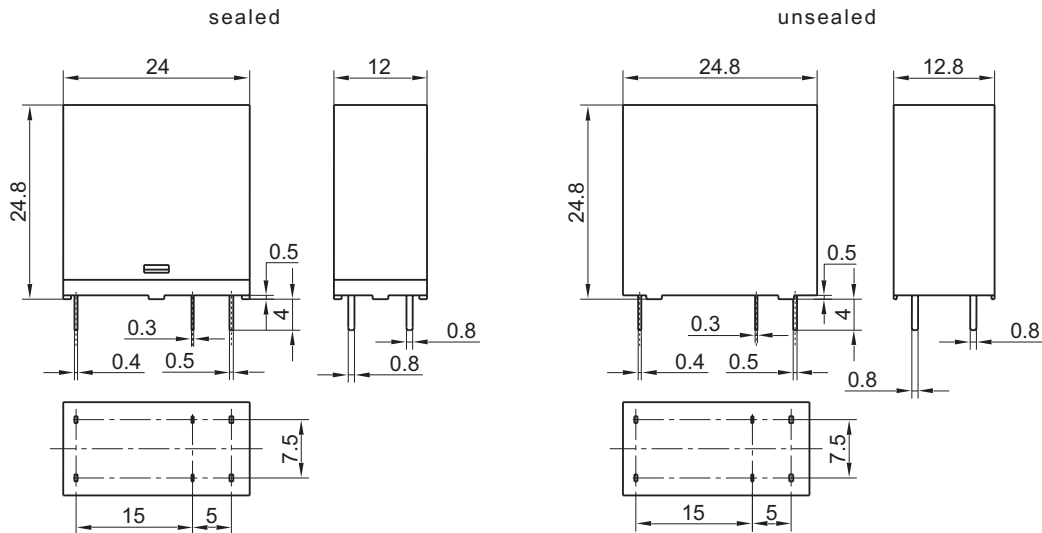


ORDERING INFORMATION

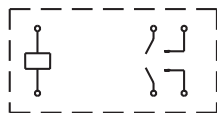
| | |
|---------------------|----------------------------------|
| Type | JZC-42F / 012 2H S T |
| Coil voltage | 5, 6, 9, 12, 18, 24, 48VDC |
| Contact arrangement | 2H: 2 Form A |
| Structure | S: Sealed IP67 Nil: Flux proof |
| Contact Material | T: AgSnO ₂ Nil: AgCdO |

OUTLINE DIMENSIONS, WIRING DIAGRAM AND PC BOARD LAYOUT

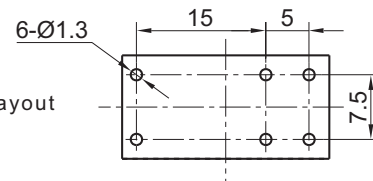
Outline Dimensions



Wiring Diagram



PCB layout



CHARACTERISTICS CURVE

