



LTM-8843-1 LONG MOVING SIGN MODULE

T-4137

SPECIFICATIONS

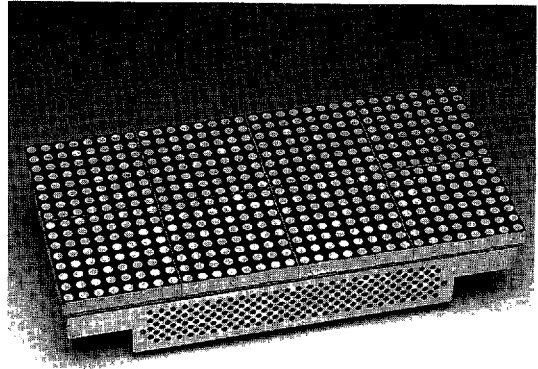
1. SCOPE

LTM-8843-1 consists of CPU, memory, driver circuit and Dotmatrix display. There are three colors in the dotmatrix display. The display module is an intelligent module that can expand as large as you need (it connects module by module. Pls refer to FIG 1)

The data is transferred by personal computer with a particular interface card, and there are two forms of data, character or graphic, that you can choose.

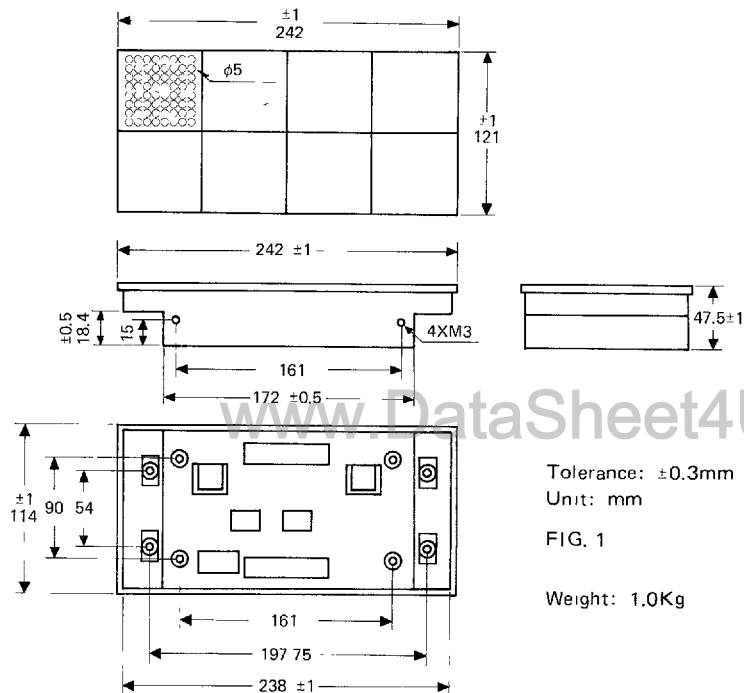
2. FEATURES

- Size: 16*32 dots, 12cm (hight) i24cm (wide) 5.5cm (deep).
- Color: Red, Green, Yellow.
- Content: Control unit, memory, driver circuit, dotmatrix display.
- Speed: High speed — 200 column/sec.
Middle speed — 100 column/sec
Low speed — 50 column/sec.



3. MECHANIC

Outline dimension



T-41-37

4. CONNECTOR PIN ASSIGNMENT

Input Connector (Type: 3M 3428-6302 or equivalent)

Pin No.	Connection	Pin No.	Connection
1	NOT USE	11	DATA B0
2	NOT USE	12	DATA B1
3	NOT USE	13	DATA B2
4	NOT USE	14	DATA B3
5	NOT USE	15	DATA B4
6	NOT USE	16	DATA B5
7	NOT USE	17	DATA B6
8	NOT USE	18	DATA B7
9	ROW SCANNING IN	19	GND
10	FUNCTION IN	20	GND

Output Connector (Type: 3M 3428-6302 or equivalent)

Pin No.	Connection	Pin No.	Connection
1	NOT USE	11	DATA B0
2	NOT USE	12	DATA B1
3	NOT USE	13	DATA B2
4	NOT USE	14	DATA B3
5	NOT USE	15	DATA B4
6	NOT USE	16	DATA B5
7	NOT USE	17	DATA B6
8	NOT USE	18	DATA B7
9	ROW SCANNING OUT	19	GND
10	FUNCTION OUT	20	GND

POWER CONNECTOR (Type: mates with molex 70156 10P or 8981-4P Connector)

Pin No.	Connection	Pin No.	Connection
1	VDD	3	GND
2	GND	4	VDD

5. ABSOLUTE MAXIMUM RATING AT T = 25°C

Parameter	Symbol	Min.	Max.	Units
Supply Voltage	VDD	-0.3	9	V
Input Voltage (Signal)	VI		5.5	V
Power Dissipation	PD		30	W
Operating Temperature Range (At Case)	TOP	0	45	°C
Storage Temperature Range	TSTG	-20	+60	°C

T-41-37

6. OPERATION CONDITION AT T = 25°C

Parameter	Symbol	Min.	Typ.	Max.	Units
Supply Voltage	VDD	7	7.2	8	V
Supply Current	IDD		3		A
Transmission Speed (Fast Speed)			200		COLUMN/SEC
Transmission Speed (Middle Speed)			100		COLUMN/SEC
Transmission Speed (Slow Speed)			50		COLUMN/SEC
I/O Connector					
Input Voltage	VIH	2			V
Output Voltage	VOH	2		0.8	V
	VOL			0.8	V
Output Current	IOH		0.5		mA
	IOL			2	mA

7. ELECTRICAL/OPTICAL CHARACTERISTICS AT T = 25°C

Parameter	Symbol	Min.	Typ.	Max.	units	Test Condition
Average Luminous Intensity	I		3000		μcd	at VDD = 7.2V
Peak Emission Wave Length (Green)	λP		565		nm	
Peak Emission Wave Length (Red)	λP		630		nm	
Luminous Intensity Matching Ratio				2:1		

MULTICOLOR LED
MODULES

8. APPLICATION

LTM-8843-1 moving sign system allow more efficient use of

- A. The plate of advertising, for example
 - Theater
 - Introduce productions
- B. Information service
 - Securities
 - Exchange rate
 - Other money market
- C. To display the information of hospital
- E. To display trains destination.
- F. Information system of railroad.

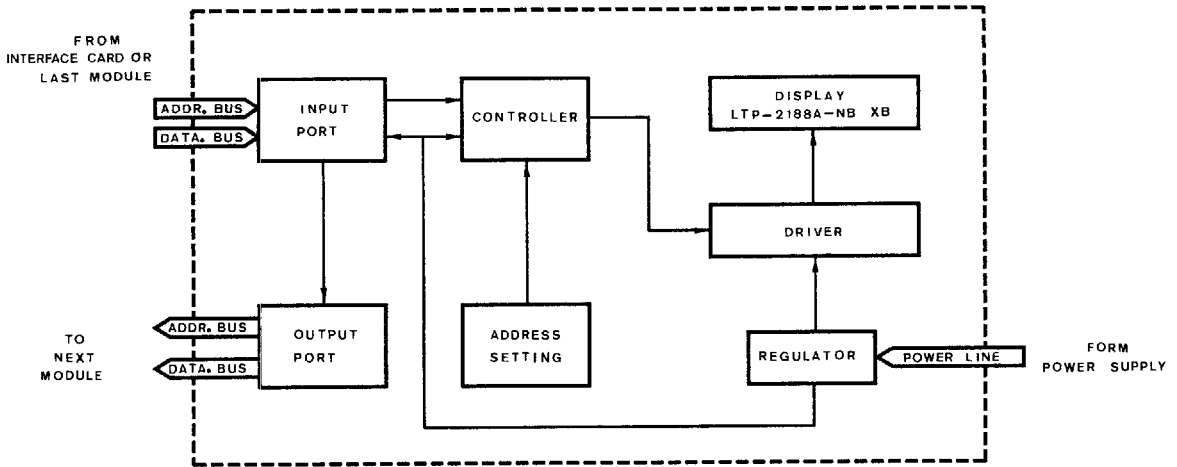
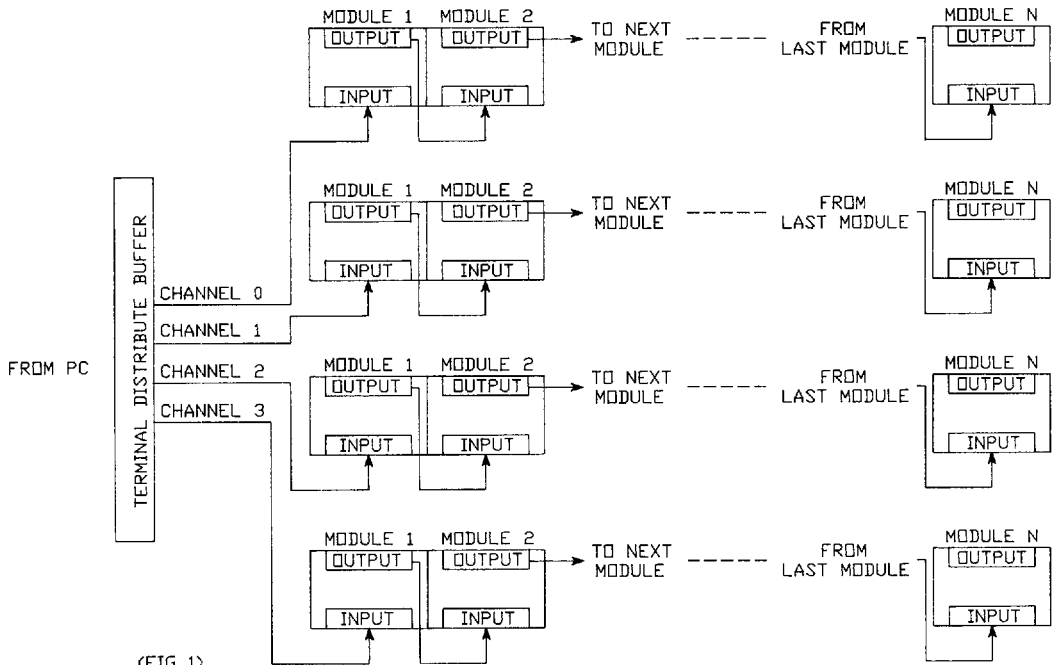


FIG. 2 MODULE BLOCK DIAGRAM



(FIG 1)

T-41-37

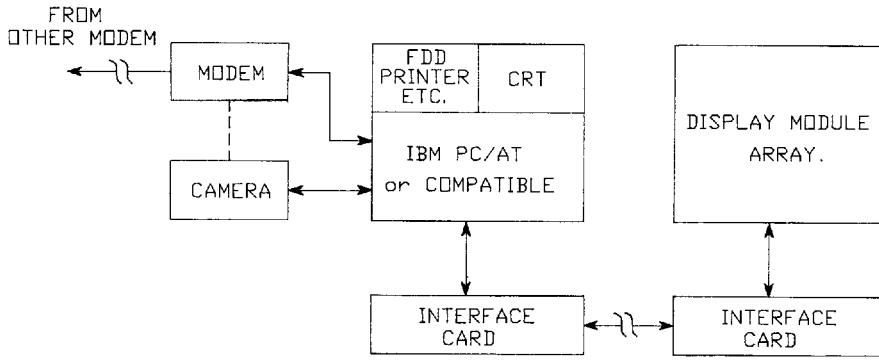


FIG. 4 SYSTEM BLOCK DIAGRAM

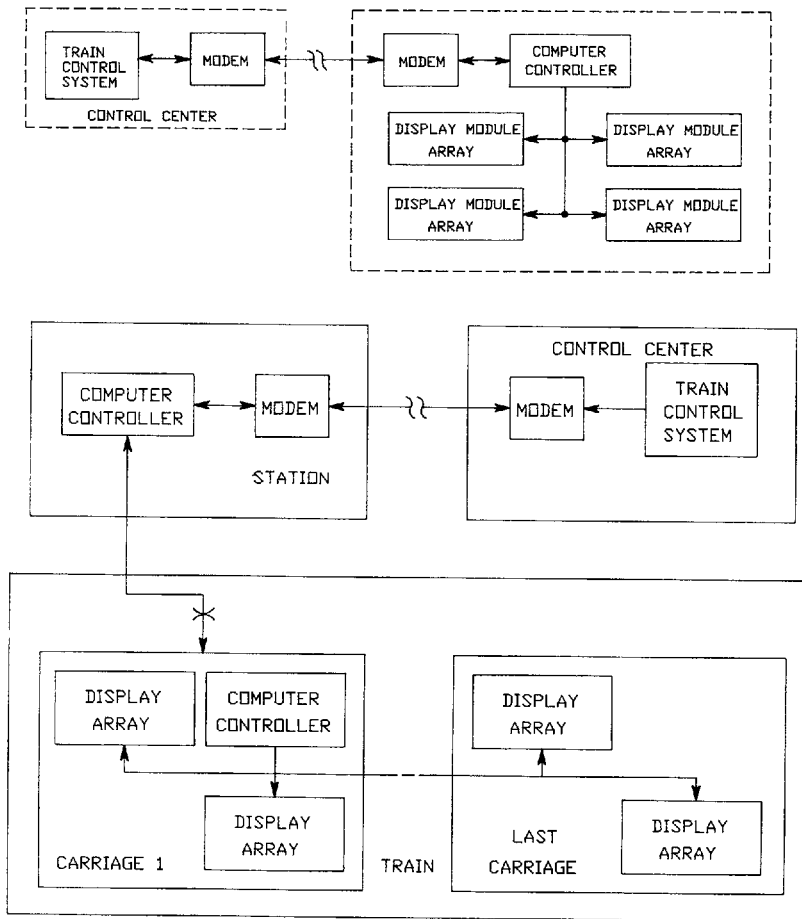


FIG. 5 APPLICATION BLOCK DIAGRAM

MULTICOLOR LED
MODULES