



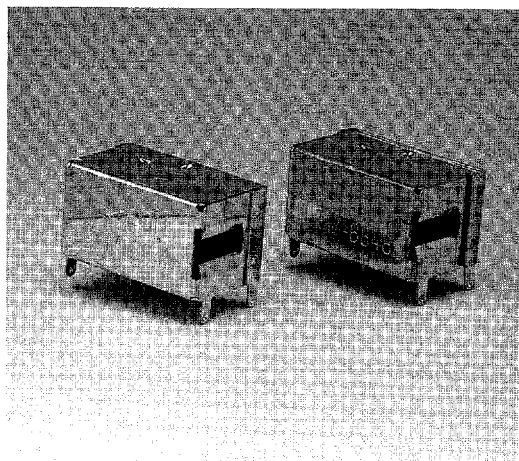
INFRARED REMOTE CONTROL RECEIVER MODULES

T-77-11

LTM-8848

FEATURES

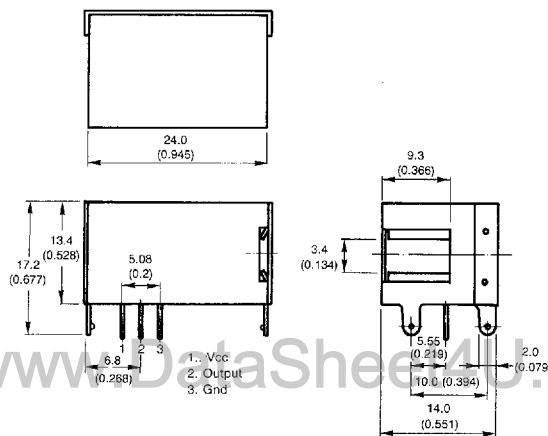
- EASY TO HANDLE SMALL TYPE MODULE.
- EXCELLENT MECHANICALLY STRENGTH AND ELECTRICAL STABILITY.
- CAN BE INSTALLED DIRECTLY TO EQUIPMENT.



DESCRIPTION

- The module is a small type infrared remote control system receiver which has been developed and designed by utilizing the latest hybrid technology.
- It is a single unit type module which incorporates a PIN diode and a receiving preamplifier IC.
- It can be used for TVs, VTRs, audio equipment, air conditioners, car stereo radio, toys, home computers and all other equipments requiring remote control.

PACKAGE DIMENSIONS



NOTES:

1. All dimensions are in millimeters (inches).
2. Tolerance is $\pm 0.25\text{mm}$ ($\pm 0.010''$) unless otherwise noted.

INFRARED PRODUCTS

www.DataSheet4U.com