

## FEATURES

- Dual-axis impact sensing**
- Dual-axis acceleration sensing,  $\pm 70g$ ,  $\pm 35g$**
- 14-bit resolution**
- 17.1 mg/LSB, 8.55mg/LSB sensitivity**
- Impact peak-level sample and hold**
- Programmable Event Recorder**
- 400Hz double-pole Bessel sensor response**
- 12-bit digital temperature sensor output**
- Digitally controlled sensitivity and bias**
- Digitally controlled sample rate, up to 4096 SPS**
- Dual alarm settings with programmable threshold limits**
- Auxiliary digital I/O**
- Digitally activated self test**
- Digitally activated low power mode**
- SPI<sup>®</sup>-compatible serial interface**
- Auxiliary 12-bit ADC input and DAC output**
- Single-supply operation: 3.0 V to +3.6 V**
- 3500 g powered shock survivability**

## APPLICATIONS

- Impact detection**
- Condition monitoring**
- Safety Systems**
- Shock sensor**

## GENERAL DESCRIPTION

The ADIS16204 is a programmable impact sensor in a single compact package enabled by the Analog Devices *iSensor*<sup>™</sup> integration. By enhancing the Analog Devices *iMEMS*<sup>®</sup> sensor technology with an embedded signal processing solution, the ADIS16204 provides tunable digital sensor data in a convenient format that can be accessed using a serial peripheral interface (SPI). The SPI interface provides access to measurements for dual-axis linear acceleration, a root-sum-square (RSS) of both axes, temperature, power supply, and one auxiliary analog input. Easy access to digital sensor data provides developers with a system-ready device, reducing development time, cost, and program risk.

Unique characteristics of the end system are accommodated easily through several built-in features, such as a single command in-system offset calibration, along with convenient sample rate control.

## FUNCTIONAL BLOCK DIAGRAM

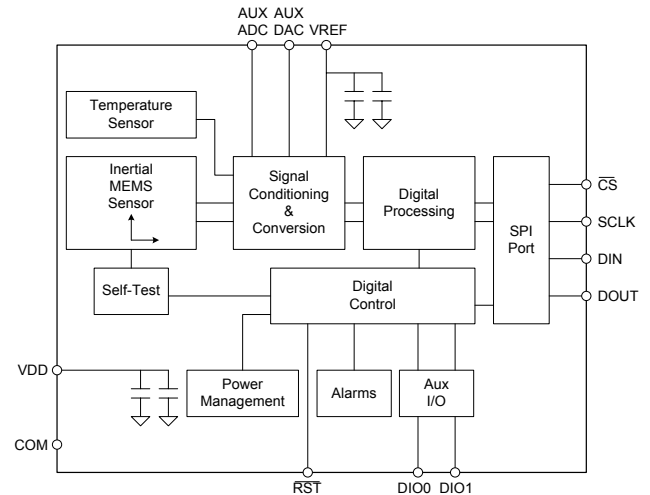


Figure 1.

The ADIS16204 offers the following embedded features, which eliminate the need for external circuitry and provide a simplified system interface:

- Peak sample and hold
- Programmable Event Recording
- Configurable trigger levels
- Auxiliary 12-bit ADC and DAC
- Configurable digital I/O port
- Digital self-test function

The ADIS16204 offers two power management features for managing system-level power dissipation: low power mode and a configurable shutdown feature.

The ADIS16204 is available in a 9.2 mm × 9.2 mm × 3.9 mm laminate-based land grid array (LGA) package with a temperature range of  $-40^{\circ}\text{C}$  to  $+105^{\circ}\text{C}$ .

## TABLE OF CONTENTS

Features .....	1	Timing Diagrams .....	5
Applications.....	1	Absolute Maximum Ratings .....	6
Functional Block Diagram .....	1	ESD Caution.....	6
General Description .....	1	Pin Configuration and Function Descriptions.....	7
Revision History .....	2	RECOMMENDED PAD GEOMETRY .....	7
Specifications.....	3	Outline Dimensions .....	8
Timing Specifications .....	5	Ordering Guide .....	8

## REVISION HISTORY

8/06—Revision PSD1: PSD1 Kickoff Version

## SPECIFICATIONS

T<sub>A</sub> = -40°C to +105°C, V<sub>DD</sub> = 3.3 V, unless otherwise noted.

Table 1.

Parameter	Conditions	Axis	Min	Typ	Max	Unit
<b>ACCELEROMETER</b>						
Output Full-Scale Range		X	±70			g
		Y	±35			g
Sensitivity		X		17.1		mg/LSB
		Y		8.55		mg/LSB
Non linearity				0.2		%
Sensor-to-sensor Alignment Error				0.1		Degrees
Cross-axis Sensitivity			-5		+5	%
Resonant Frequency				24		kHz
<b>OFFSET</b>						
Zero-g Output		X		0.2		g
		Y		1.85		g
<b>NOISE</b>						
Noise Density	10Hz – 400Hz, no post filtering			1.8		mg/√Hz
<b>FREQUENCY RESPONSE</b>						
Sensor Bandwidth (-3dB)	2-pole Bessel		360	400	440	Hz
Temperature Drift	25° - T <sub>min</sub>   or  T <sub>max</sub> - 25°C			2		Hz
<b>ACCELEROMETER SELF-TEST STATE<sup>1</sup></b>						
Output Change When Active	25°C	X		585		LSB
Output Change When Active		Y		1170		LSB
<b>TEMPERATURE SENSOR</b>						
Output at 25°C				1278		LSB
Scale Factor				-2.13		LSB/°C
<b>ADC INPUT</b>						
Resolution				12		Bits
Integral Nonlinearity				±2		LSB
Differential Nonlinearity				±1		LSB
Offset Error				±4		LSB
Gain Error				±2		LSB
Input Range			0		2.5	V
Input Capacitance	During acquisition			20		pF
<b>ON-CHIP VOLTAGE REFERENCE</b>						
Accuracy	At 25°C		-10		+10	mV
Reference Temperature Coefficient				±40		ppm/°C
Output Impedance				70		Ω
<b>DAC OUTPUT</b>						
Resolution	5 kΩ/100 pF to GND			12		Bits
Relative Accuracy	For Code 101 to Code 4095			4		LSB
Differential Nonlinearity				1		LSB
Offset Error				±5		mV
Gain Error				±0.5		%
Output Range				0 to 2.5		V
Output Impedance				2		Ω
Output Settling Time				10		μs

Parameter	Conditions	Axis	Min	Typ	Max	Unit	
<b>LOGIC INPUTS</b>							
Input High Voltage, $V_{INH}$	$V_{IH} = V_{DD}$ $V_{IL} = 0V$		2.0		0.8	V	
Input Low Voltage, $V_{INL}$						V	
Logic 1 Input Current, $I_{INH}$						$\mu A$	
Logic 0 Input Current, $I_{INL}$						$\mu A$	
Input Capacitance, $C_{IN}$						pF	
<b>DIGITAL OUTPUTS</b>							
Output High Voltage, $V_{OH}$	$I_{SOURCE} = 1.6\text{ mA}$ $I_{SINK} = 1.6\text{ mA}$		2.4		0.4	V	
Output Low Voltage, $V_{OL}$						V	
<b>SLEEP TIMER</b>							
Timeout Period <sup>2</sup>			0.5		128	Seconds	
<b>FLASH MEMORY</b>							
Endurance <sup>3</sup>	$T_J = 85^\circ C$		20,000			Cycles	
Data Retention <sup>4</sup>						Years	
<b>CONVERSION RATE</b>							
Minimum Conversion Time				244		$\mu s$	
Maximum Conversion Time				484		ms	
Maximum Throughput Rate				4096		SPS	
Minimum Throughput Rate				2.066		SPS	
<b>POWER SUPPLY</b>							
Operating Voltage Range $V_{DD}$	Normal mode, $SMPL\_TIME \geq 0x08$ ( $f_s \leq 910\text{ Hz}$ ), at $25^\circ C$ Fast mode, $SMPL\_TIME \leq 0x07$ ( $f_s \geq 1024\text{ Hz}$ ), at $25^\circ C$ Sleep mode, at $25^\circ C$		3.0	3.3	3.6	V	
Power Supply Current					12		mA
					37		mA
Turn-On Time					500	750	$\mu A$
			130		ms		

<sup>1</sup> Self-test response changes as the square of  $V_{DD}$ .

<sup>2</sup> Guaranteed by design.

<sup>3</sup> Endurance is qualified as per JEDEC Standard 22 Method A117 and measured at  $-40^\circ C$ ,  $+25^\circ C$ ,  $+85^\circ C$ , and  $+105^\circ C$ .

<sup>4</sup> Retention lifetime equivalent at junction temperature ( $T_J$ )  $55^\circ C$  as per JEDEC Standard 22 Method A117. Retention lifetime decreases with junction temperature.

**TIMING SPECIFICATIONS**

T<sub>A</sub> = 25°C, V<sub>DD</sub> = 3.3 V, tilt = 0°, unless otherwise noted.

**Table 2.**

Parameter	Description	Min <sup>1</sup>	Typ	Max	Unit
f <sub>SCLK</sub>	Fast mode, SMPL_TIME ≤ 0x07 (f <sub>s</sub> ≥ 1024 Hz) Normal mode, SMPL_TIME ≥ 0x08 (f <sub>s</sub> ≤ 910 Hz)	0.01		2.5	MHz
t <sub>DATARATE</sub>	Chip select period, fast mode, SMPL_TIME ≤ 0x07 (f <sub>s</sub> ≥ 1024 Hz)	40			μs
t <sub>DATARATE</sub>	Chip select period, normal mode, SMPL_TIME ≥ 0x08 (f <sub>s</sub> ≤ 910 Hz)	100			μs
t <sub>CS</sub>	Chip select to clock edge	48.8			ns
t <sub>DAV</sub>	Data output valid after SCLK edge			100	ns
t <sub>DSU</sub>	Data input setup time before SCLK rising edge	24.4			ns
t <sub>DHD</sub>	Data input hold time after SCLK rising edge	48.8			ns
t <sub>DF</sub>	Data output fall time		5	12.5	ns min
t <sub>DR</sub>	Data output rise time		5	12.5	ns min
t <sub>SFS</sub>	CS high after SCLK edge	5			ns typ

<sup>1</sup> Guaranteed by design, not tested.

**TIMING DIAGRAMS**

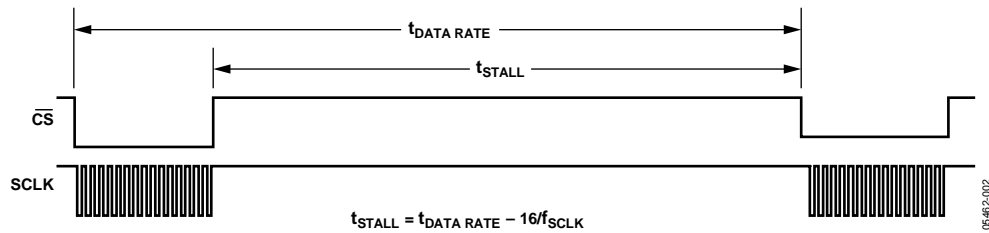


Figure 2. SPI Chip Select Timing

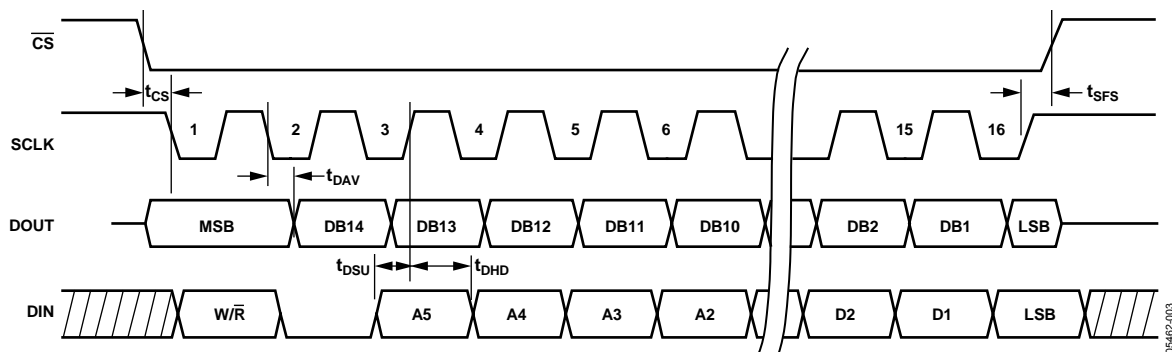


Figure 3. SPI Timing  
(Utilizing SPI Settings Typically Identified as Phase = 1, Polarity = 1)

## ABSOLUTE MAXIMUM RATINGS

Table 3.

Parameter	Rating
Acceleration (Any Axis, Unpowered)	3500 <i>g</i>
Acceleration (Any Axis, Powered)	3500 <i>g</i>
VDD to COM	-0.3 V to +7.0 V
Digital Input/Output Voltage to COM	-0.3 V to +5.5 V
Analog Inputs to COM	-0.3 to VDD + 0.3 V
Analog Inputs to COM	-0.3 to VDD + 0.3 V
Operating Temperature Range	-40°C to +125°C
Storage Temperature Range	-65°C to +150°C

Stresses above those listed under Absolute Maximum Ratings may cause permanent damage to the device. This is a stress rating only; functional operation of the device at these or any other conditions above those indicated in the operational section of this specification is not implied. Exposure to absolute maximum rating conditions for extended periods may affect device reliability.

Table 4. Package Characteristics

Package Type	$\theta_{JA}$	$\theta_{JC}$	Device Weight
16-Terminal LGA	250°C/W	25°C/W	0.6 grams

## ESD CAUTION

ESD (electrostatic discharge) sensitive device. Electrostatic charges as high as 4000V readily accumulate on the human body and test equipment and can discharge without detection. Although this product features proprietary ESD protection circuitry, permanent damage may occur on devices subjected to high energy electrostatic discharges. Therefore, proper ESD precautions are recommended to avoid performance degradation or loss of functionality.



## PIN CONFIGURATION AND FUNCTION DESCRIPTIONS

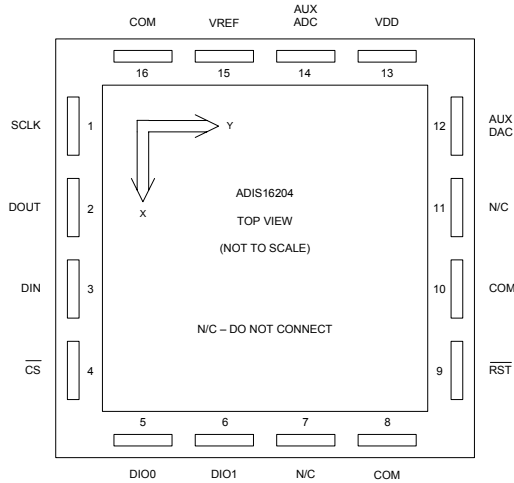


Figure 4. Pin Configuration

Table 5. Pin Function Descriptions

Pin No.	Mnemonic	Type <sup>1</sup>	Description
1	SCLK	I	Serial Clock. SCLK provides the serial clock for accessing data from the part and writing serial data to the control registers.
2	DOUT	O	Data Out. The data on this pin represents data being read from the control registers and is clocked out on the falling edge of the SCLK.
3	DIN	I	Data In. Data written to the control registers is provided on this input and is clocked in on the rising edge of the SCLK.
4	$\overline{CS}$	I	Chip Select, Active Low. This input frames the serial data transfer.
5, 6	DIO0, DIO1	I/O	Multifunction Digital I/O Pins.
7, 11	NC	-	No Connect.
8, 10	AUX COM	S	Auxiliary Grounds. Connect to GND for proper operation.
9	$\overline{RST}$	I	Reset, Active Low. This input resets the embedded microcontroller to a known state.
12	AUX DAC	O	Auxiliary DAC Analog Voltage Output.
13	VDD	S	+3.3 V Power Supply.
14	AUX ADC	I	Auxiliary ADC Analog Input Voltage.
15	VREF	O	Precision Reference Output.
16	COM	S	Common. Reference point for all circuitry in the ADIS16204.

<sup>1</sup> S = Supply; O = Output; I = Input.

## RECOMMENDED PAD GEOMETRY

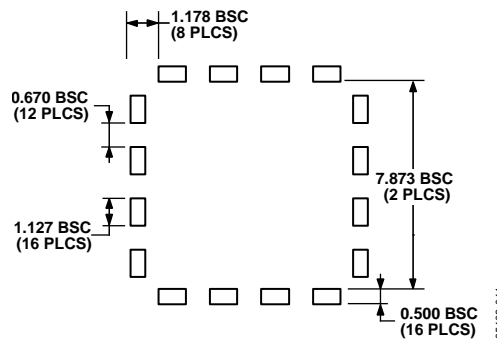
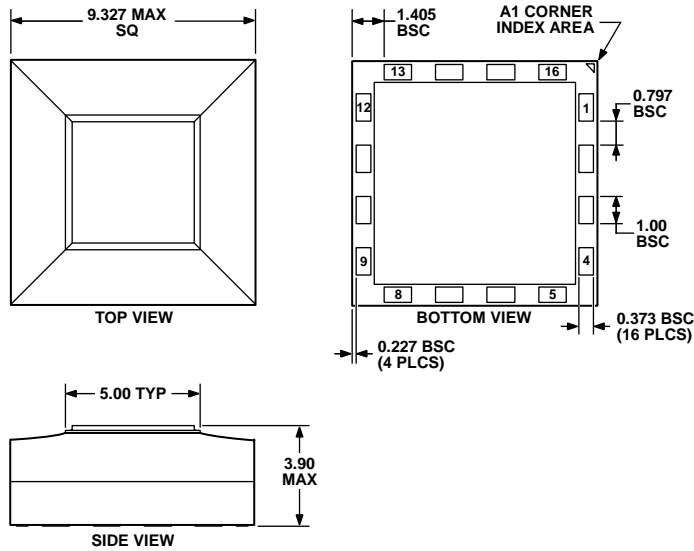


Figure 5. Example Pad Layout

OUTLINE DIMENSIONS



03/09/06-A

Figure 6. 16-Terminal Land Grid Array [LGA]  
(CC-16-2)  
Dimensions shown in millimeters

ORDERING GUIDE

Model	Temperature Range	Package Description	Package Option
ADIS16204BCCZ <sup>1</sup>	-40°C to +105°C	16-Terminal Land Grid Array [LGA]	CC-16-2
ADIS16204/PCBZ		Evaluation Board	

<sup>1</sup> Z = Pb-free part.



## NOTES