

SANYO

No. 5000

LC73881M**DTMF Receiver LSI**

Applications

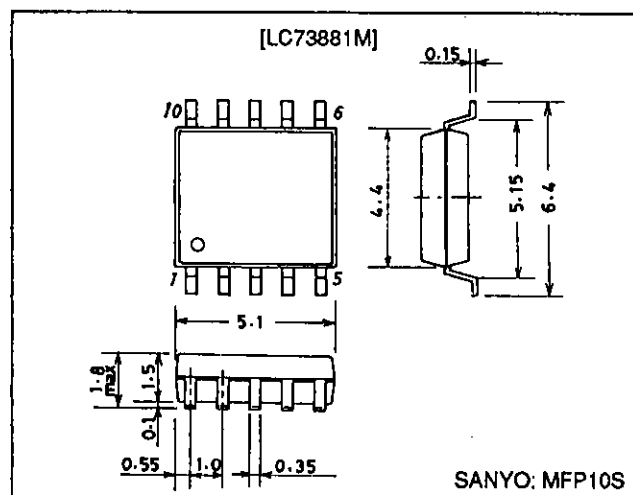
- Remote controllers for telephone answering machines and other telephone products

Features

- Detects 16 DTMF signals.
- Includes on-chip all filters required in a DTMF receiver
 - Dial-tone filter
 - High-frequency group bandpass filter
 - Low-frequency group bandpass filter
- Serial data output
- Supports microprocessor-controlled guard times.
- Wide operating power-supply voltage range: 2.7 to 5.5 V
- Supports a low power mode that allows current dissipation to be reduced.

Package Dimensions

unit: mm

3086A-MFP10S

Specifications

Absolute Maximum Ratings at $T_a = 25^\circ\text{C}$

Parameter	Symbol	Conditions	Ratings	Unit
Maximum supply voltage	$V_{DD \text{ max}}$		-0.3 to +6.0	V
Input voltage	V_{IN}		-0.3 to $V_{DD} + 0.3$	V
Input current	I_{IN}		-10 to +10	mA
Output voltage	V_{OUT}		-0.3 to $V_{DD} + 0.3$	V
Allowable power dissipation	$P_d \text{ max}$	$T_a \leq 70^\circ\text{C}$	120	mW
Operating temperature	T_{opr}		-35 to +70	$^\circ\text{C}$
Storage temperature	T_{stg}		-50 to +125	$^\circ\text{C}$

Allowable Operating Ranges at $T_a = -35$ to $+70^\circ\text{C}$, $V_{SS} = 0$ V

Parameter	Symbol	Conditions	min	typ	max	Unit
Operating supply voltage	V_{DD}		2.7		5.5	V
Input high-level voltage	V_{IH}	Pin 7	$0.7 V_{DD}$			V
		Pin 2	$0.85 V_{DD}$			V
Input low-level voltage	V_{IL}	Pin 7			$0.3 V_{DD}$	V
		Pin 2			$0.15 V_{DD}$	V

DC Electrical Characteristics at $T_a = 25^\circ\text{C}$, $V_{DD} = 3$ V, $V_{SS} = 0$ V

Parameter	Symbol	Conditions	min	typ	max	Unit
Operating supply current	$I_{DD} \text{ (op)}$			1.6	2.8	mA
Standby supply current	$I_{DD} \text{ (st)}$	PD pin = 3 V			20	μA
Output high-level current	I_{OH}	Pins 6, 8 and 9, $V_{OUT} = 2.6$ V			-0.3	mA
Output low-level current	I_{OL}	Pins 6, 8 and 9, $V_{OUT} = 0.4$ V	0.6			mA
Input impedance	Z_{in}	Pin 1	10			k Ω
Pull-down resistor current	I_{SI}	PD = 3 V		1.2	3.0	μA

SANYO Electric Co., Ltd. Semiconductor Business Headquarters

TOKYO OFFICE Tokyo Bldg., 1-10, 1 Chome, Ueno, Taito-ku, TOKYO, 110 JAPAN

LC73881M

AC Electrical Characteristics at $T_a = 25^\circ\text{C}$, $V_{DD} = 3\text{ V}$, $V_{SS} = 0\text{ V}$, $f_{OSC} = 4.194304\text{ MHz}$

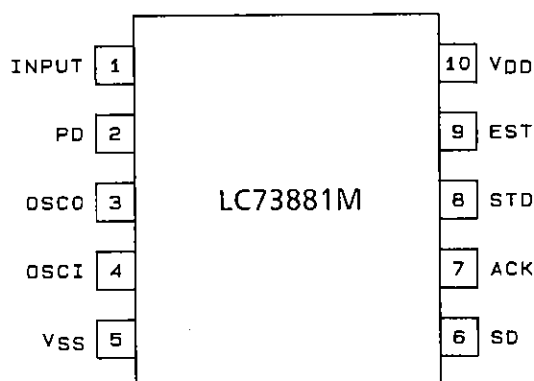
Parameter	Symbol	Conditions	min	typ	max	Unit
Input signal valid level	—	*1, 2, 3, 5, 6, 9	-45		-20	dBm
Positive twist accept	—	*2, 3, 6, 9, 11		±10		dB
Frequency detection accept	—	*2, 3, 5, 9	±1.5% ± 2			Hz
Frequency rejection accept	—	*2, 3, 5	±3.5			%
Third tone tolerance	—	*2, 3, 4, 5, 9, 10		-16		dB
Dial tone tolerance	—	*2, 3, 4, 5, 8, 9, 10		22		dB
Noise tolerance	—	*2, 3, 4, 5, 7, 9, 10		-8		dB
Tone present detection time	t_{DP}	See the timing chart.	3		20	ms
Tone absent detection time	t_{DA}	See the timing chart.	0.5		20	ms
Tone duration accept	t_{REC}	See the timing chart.	20			ms
Tone duration reject	t_{REC}	See the timing chart.			45	ms
Inter-digit pause invalid time	t_{DP}	See the timing chart.	20			ms
Inter-digit pause valid time	t_{ID}	See the timing chart.			40	ms
Data shift speed	—				1	MHz
Data output delay time	t_{PAD}	See the ACK/SD timing chart		100		ns
Setup time delay	t_{DL}	See the ACK/SD timing chart	0			ns
Data hold time	t_{DH}	See the ACK/SD timing chart	30			ns
Oscillator frequency	f_{OSC}		4.152362	4.194304	4.236247	MHz
Load capacitance	C_{XO}	The OSCI and OSCO pins			30	pF

Note: 1. The dBm values are defined such that 0 dBm is the 1 mW power level for a 600 Ω load.

2. All 16 DTMF signals frequency
3. With a 40 ms DTMF signal period and a 40 ms pause period
4. Nominal DTMF signal frequencies
5. Low-group and high-group signal levels are the same.
6. DTMF signal frequency deviations within $\pm 1.5\% \pm 2\text{ Hz}$
7. Gaussian noise with a 0 to 3 kHz bandwidth
8. 350 and 440 Hz dial tone frequencies
9. Error rate of less than 1 error in 10,000 events
10. Referenced to the lowest component of the DTMF signal.

$$11. \text{Twist} = \frac{\text{High-frequency group tone level}}{\text{Low-frequency group tone level}}$$

Pin Assignment



Top View

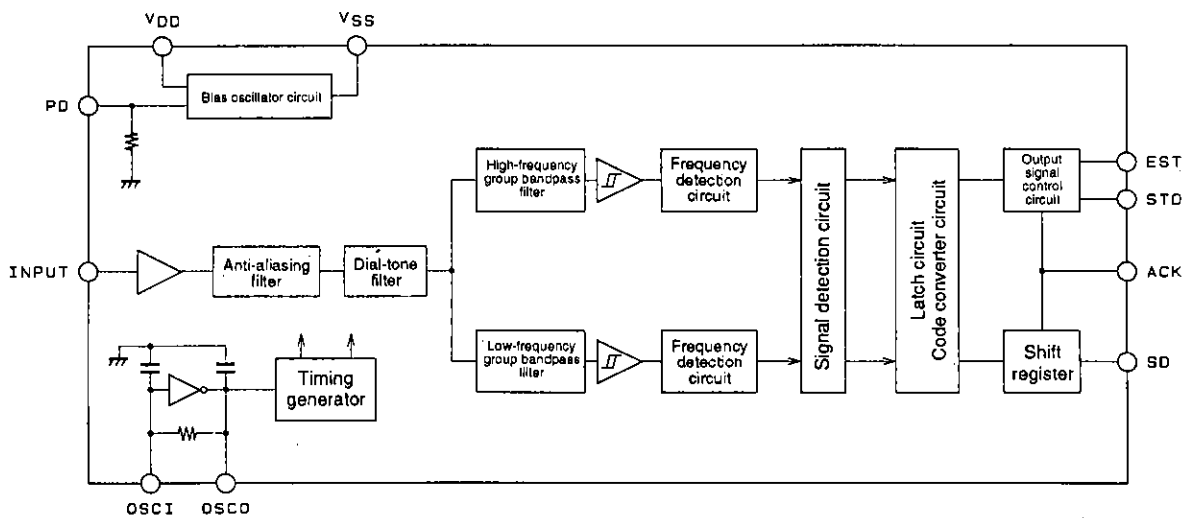
A03186

LC73881M

Pin Functions

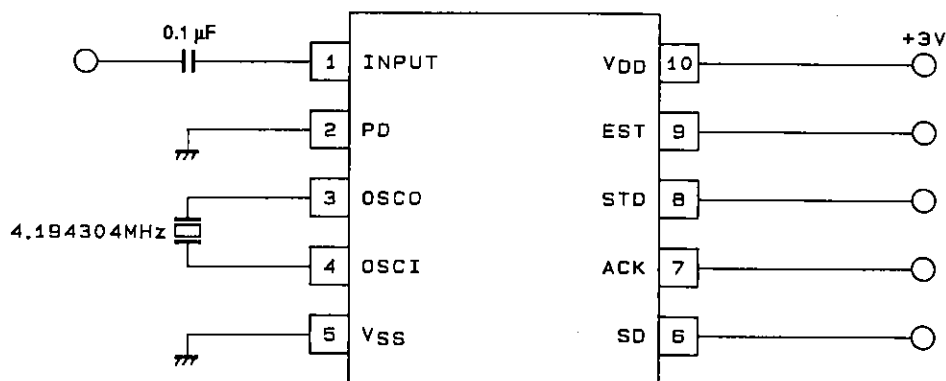
Pin No.	Symbol	I/O	Function
1	INPUT	I	The input must be capacitor coupled. This signal is biased to $V_{DD}/2$ internally.
2	PD	I	The LC73881M goes to low power mode when this pin is set high.
3	OSCO	O	Connect a 4.194304 MHz crystal oscillator or ceramic resonator to these pins to form an oscillator circuit. When using a ceramic resonator, a capacitor of approximately 30 pF must be connected to each pin.
4	OSCI	I	
5	V_{SS}		Power supply pin. Normally 0 V.
6	SD	O	The decoded DTMF signal is output, this pin in a 4-bit LSB first format.
7	ACK	I	The ACK pin is used to shift out data from the SD pin. Four pulses are required to shift out the DTMF character, which consists of four bits. The rising edge of the first pulse latches the data (before shifting) into the shift register.
8	STD	O	A high level indicates the presence of a DTMF signal. Although the rise of this signal is later than that of the EST pin, it is less sensitive to burst waveforms and other noise.
9	EST	O	A high level indicates the presence of a DTMF signal. Applications should monitor this pin and, after waiting an appropriate period, apply four pulses to the ACK pin to access the data.
10	V_{DD}		Power supply pin. Normally 2.7 to 5.5 V.

Block Diagram



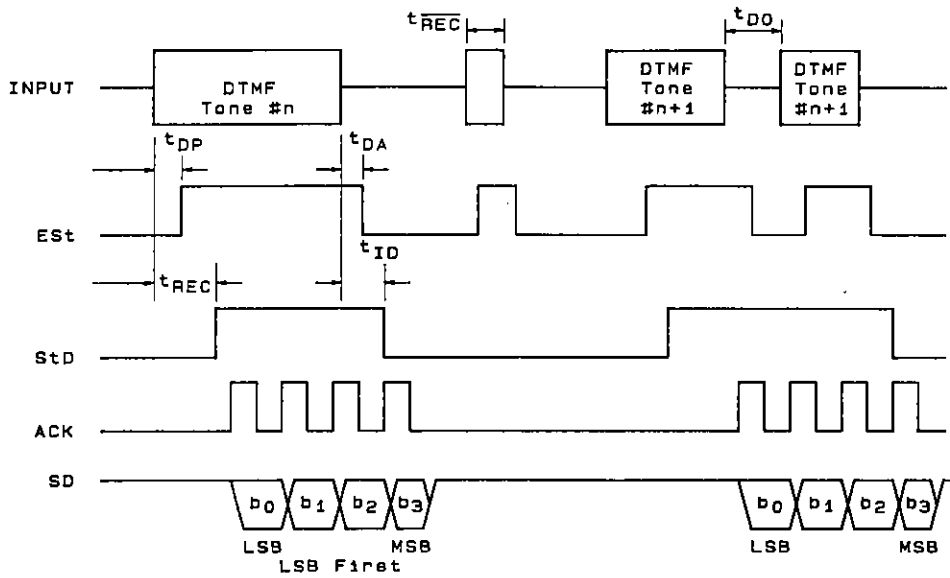
A03187

Test Circuit/Sample Application Circuit



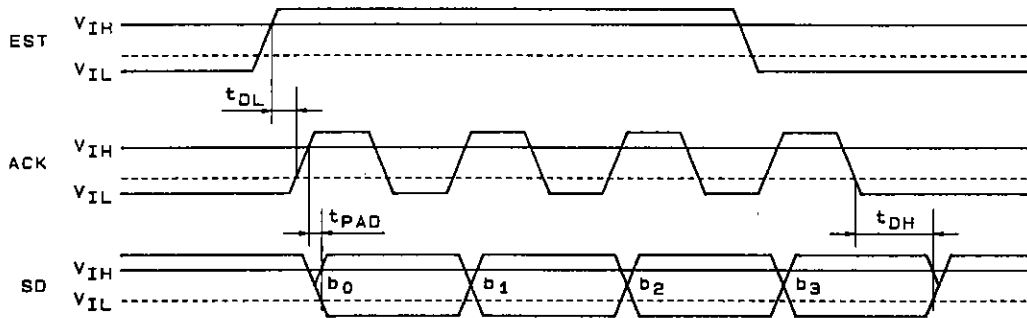
A03188

Timing Chart



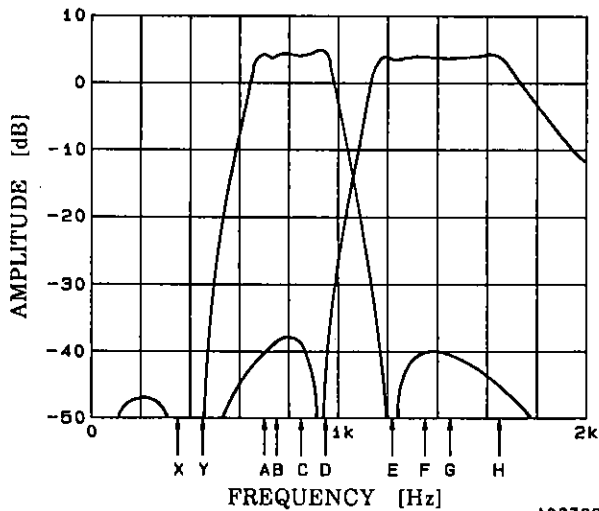
A03185

ACK/SD Timing Chart



A03693

Filter Characteristics



A03768

PRECISE
DIAL TONES

X = 350Hz
Y = 440Hz

DTMF TONES

A = 697Hz
B = 770Hz
C = 852Hz
D = 941Hz
E = 1209Hz
F = 1336Hz
G = 1477Hz
H = 1633Hz

Output Code Table

F _L	F _H	Key	b3	b2	b1	b0
697	1209	1	L	L	L	H
697	1336	2	L	L	H	L
697	1477	3	L	L	H	H
770	1209	4	L	H	L	L
770	1336	5	L	H	L	H
770	1477	6	L	H	H	L
852	1209	7	L	H	H	H
852	1336	8	H	L	L	L
852	1477	9	H	L	L	H
941	1336	0	H	L	H	L
941	1209	✕	H	L	H	H
941	1477	#	H	H	L	L
697	1633	A	H	H	L	H
770	1633	B	H	H	H	L
852	1633	C	H	H	H	H
941	1633	D	L	L	L	L

DTMF Dialing Matrix

	C1	C2	C3	C4
R1	1	2	3	A
R2	4	5	6	B
R3	7	8	9	C
R4	✕	0	#	D

■ No products described or contained herein are intended for use in surgical implants, life-support systems, aerospace equipment, nuclear power control systems, vehicles, disaster/crime-prevention equipment and the like, the failure of which may directly or indirectly cause injury, death or property loss.

■ Anyone purchasing any products described or contained herein for an above-mentioned use shall:

- ① Accept full responsibility and indemnify and defend SANYO ELECTRIC CO., LTD., its affiliates, subsidiaries and distributors and all their officers and employees, jointly and severally, against any and all claims and litigation and all damages, cost and expenses associated with such use:
- ② Not impose any responsibility for any fault or negligence which may be cited in any such claim or litigation on SANYO ELECTRIC CO., LTD., its affiliates, subsidiaries and distributors or any of their officers and employees jointly or severally.

■ Information (including circuit diagrams and circuit parameters) herein is for example only; it is not guaranteed for volume production. SANYO believes information herein is accurate and reliable, but no guarantees are made or implied regarding its use or any infringements of intellectual property rights or other rights of third parties.

This catalog provides information as of July, 1995. Specifications and information herein are subject to change without notice.