

# SED1526/28 Series

## Dot Matrix LCD Controller Driver

- Ultra Low Power Consumption
- Built-in Power Supply Circuit for LCD
- 97 Driver Outputs

### ■ DESCRIPTION

The SED1526 series is a single-chip LCD driver for dot-matrix liquid crystal displays (LCD's). It accepts serial or 8-bit parallel display data directly from a microprocessor and stores data in an on-chip display RAM. It can generate an LCD drive signal independent from microprocessor clock.

As the SED1526 series features the very low power dissipation and wide operating voltage range, it can easily realize a powerful but compact display unit having a small battery.

A single chip of SED1526 series can drive a 17×80-pixel or 33×64-pixel LCD panel.

(Note: The SED1526 series are not designed to have EMI resistance.)

### ■ FEATURES

- Direct data display using the display RAM. When RAM data bit is 0, it is not displayed; when 1, it is displayed.
- Large 80×33-bit RAM capacity
- On-chip LCD driver circuit (97 segment and common drivers)
- High-speed, 8-bit microprocessor interface allowing direct connection to both the 8080 and 6800
- Supported serial interface
- Rich command functions (upward compatible to SED1520 Series); they are Read/Write Display Data, Display On/Off Switching, Set Page Address, Set Initial Display Line, Set Column Address, Read Status, Static Drive On/Off Switching, Select Duty, Duty+1, Read-Modify-Write, Select Segment Driver Direction, Power Save, Reset, Set Power Control, Set Electronic Controls, Clock Stop.
- On-chip CR oscillation circuit (OSC)
- On-chip LCD power circuit (The internal and external LCD power supplies are software selectable.)
- Very low power consumption
- Flexible power voltages; 2.4 to 6.0 V (for logic) and -13.0 to -4.0V(V<sub>DD</sub>-V<sub>5</sub>)
- -40 to +85°C wide operating temperature range
- CMOS process
- Package: QFP5-128pin (plastic), Die form (Al pad, Au bump)

### ■ LINE UP (Series specifications: ex. 128-pin flat package)

Model	Operating clock (Internal OSC)	Duty	Segment driver	Common driver	V <sub>REG</sub> type	CMOS pin positions
SED1526F0A	20 KHz	1/8, 1/9, 1/16, 1/17	80	17	Type 1	Type A
SED1526FAA	20 KHz	1/8, 1/9, 1/16, 1/17	80	17	Type 1	Type B
SED1526FEA	20 KHz	1/8, 1/9, 1/16, 1/17	80	17	Type 2	Type A
SED1528F0A	20 KHz	1/32, 1/33	64	33	Type 1	Type A

Type 1 V<sub>REG</sub> (Built-in power supply regulating voltage)  
Temperature gradient: 0.17%/°C

Type 2 V<sub>REG</sub> (Built-in power supply regulating voltage)  
Temperature gradient: 0.00%/°C

Refer to No. P3 (Package pin layout), No. P4 (PAD layout) and No. P5 (PAD coordinates).

An SED1526 series package has one of following subcodes according to its package type (an example of SED1526):

SED1526F0A: QFP5-128pin flat package

SED1526D0\*: Bear chip

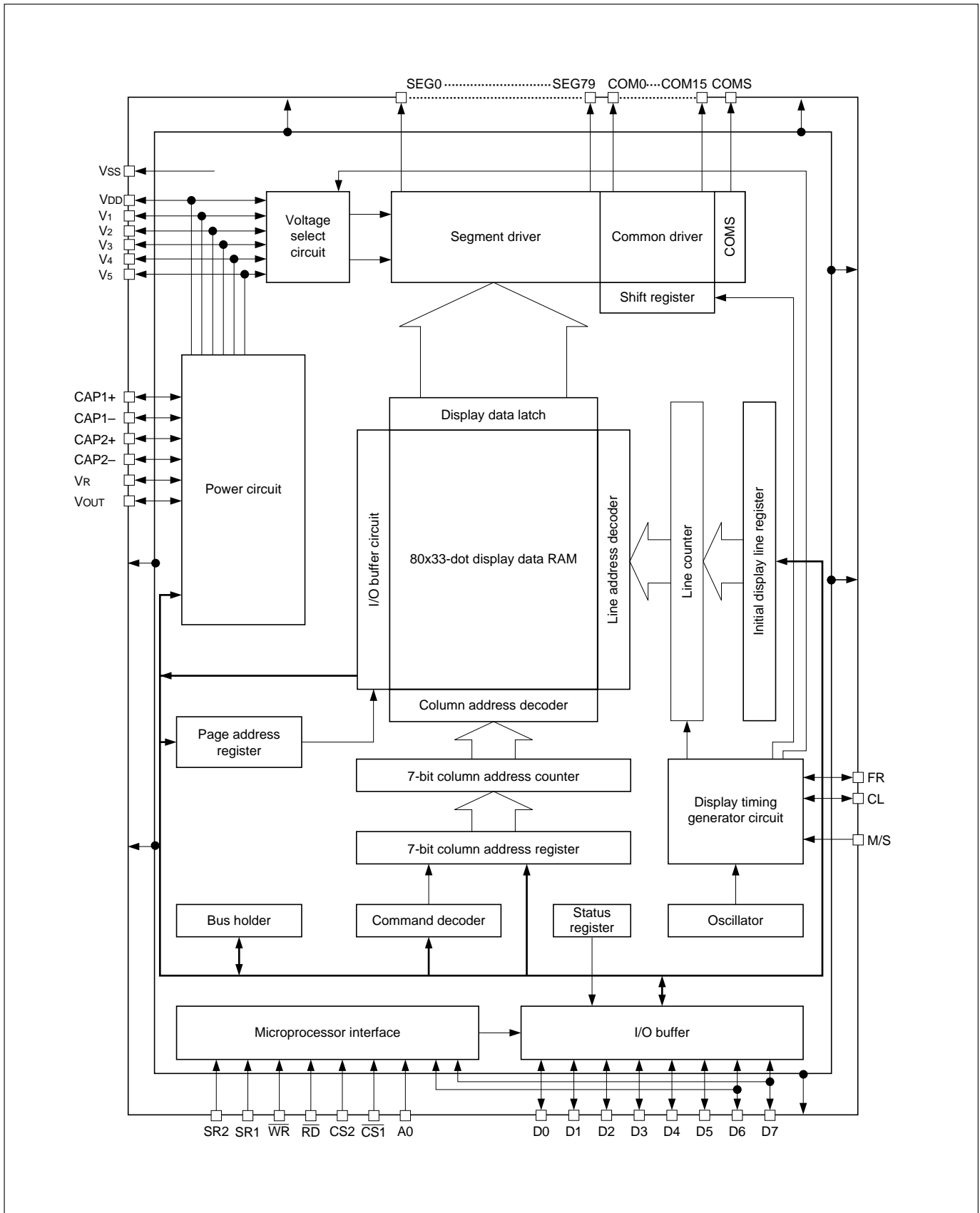
SED1526D0A having aluminium pad

SED1526D0B having gold bump

SED1526T\*\* : TCP

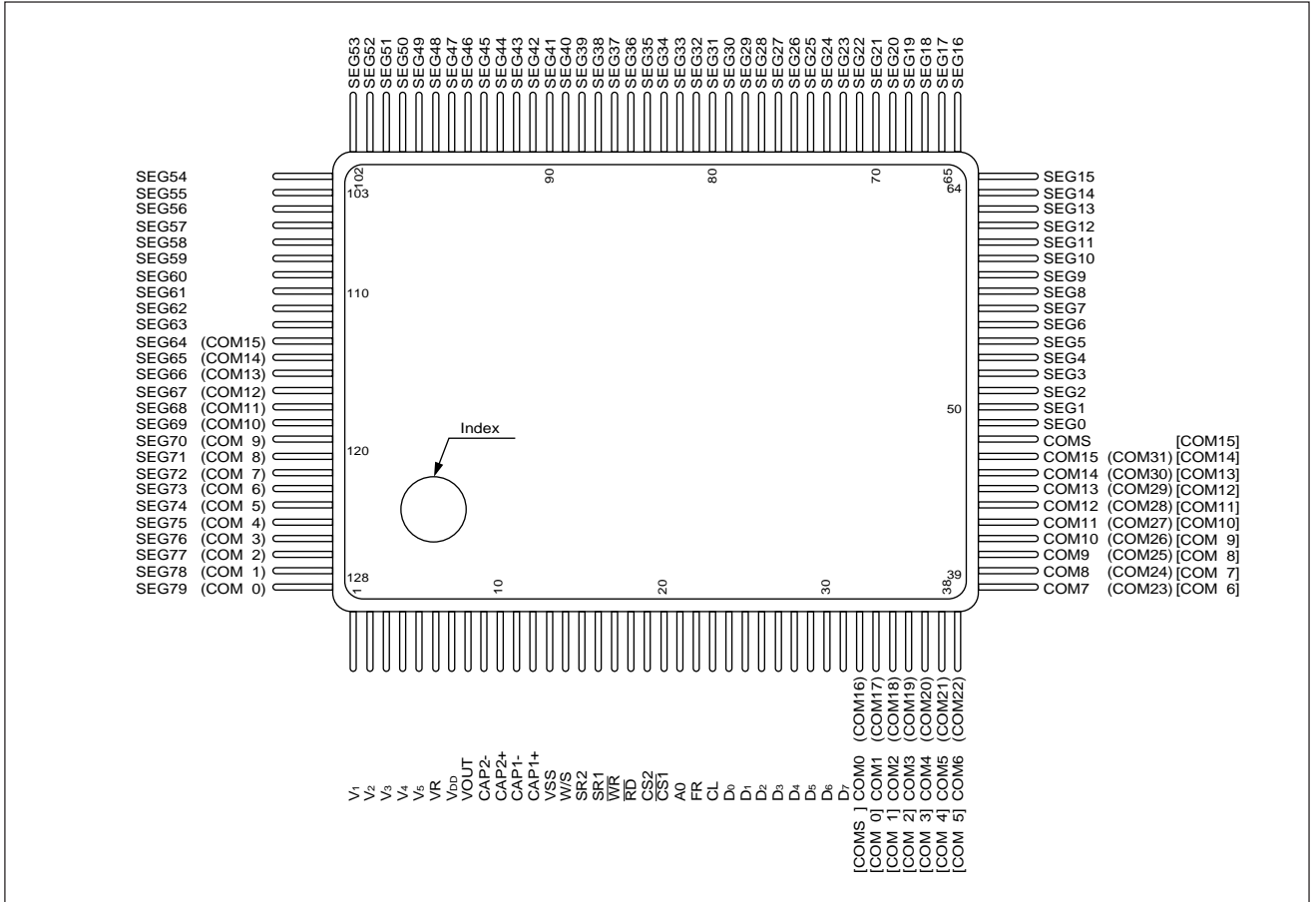
# SED1526/28 Series

## ■ BLOCK DIAGRAM (SED1526\*0\*)



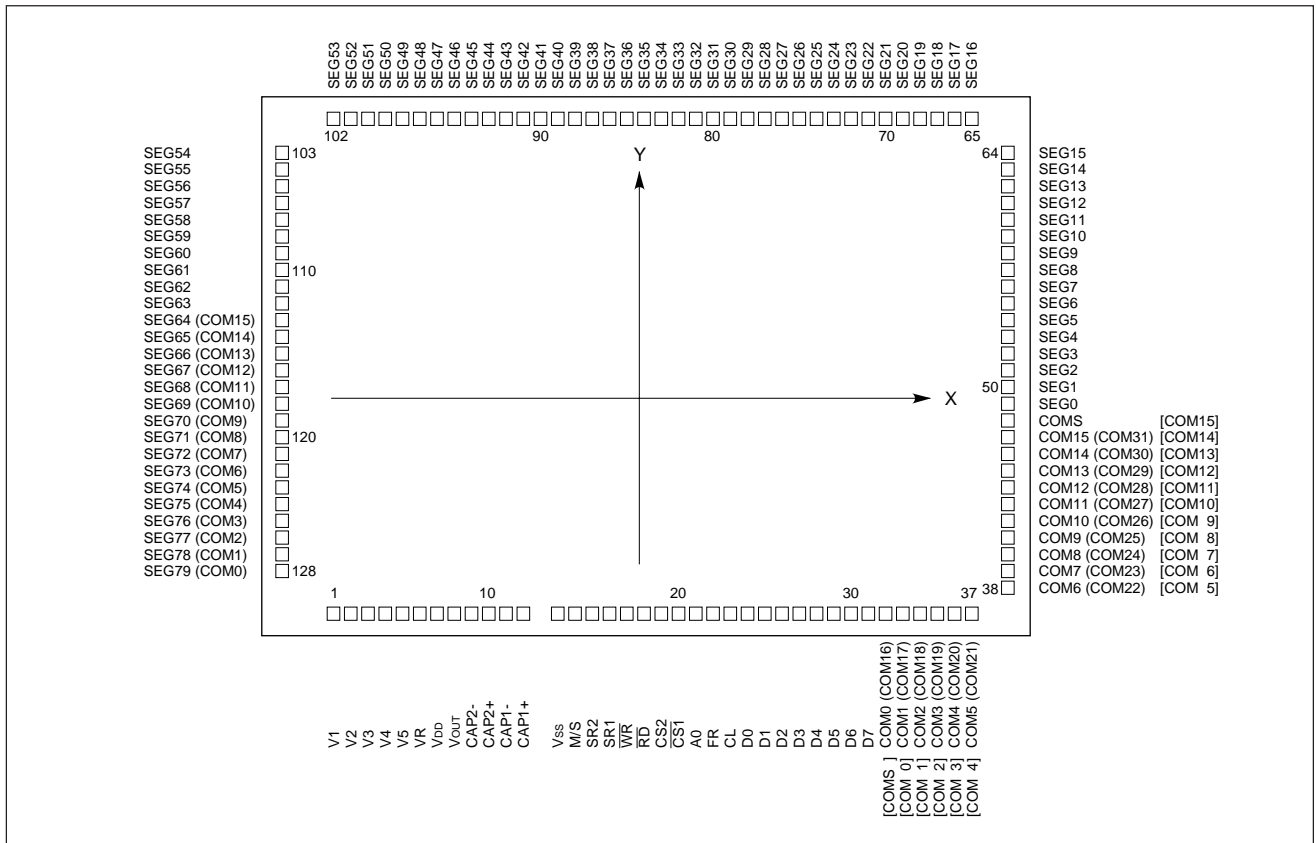
## ■ PIN ASSIGNMENT

### ● Package Pin Assignment



# SED1526/28 Series

## ■ PAD LAYOUT



- \* Pin names in ( ) apply to SED1528.
- \* Pin names in [ ] apply to SED1526DA\* (CMOS pin = Type B).

### Aluminum pad chip

- Chip size: 5.92 mm × 4.68 mm
- Chip thickness: 0.4 mm
- Pad opening: 90.2 μm × 90.2 μm
- Pad pitch: 130 μm (Min)

### Gold bump chip (reference)

- Chip size: 5.92 mm × 4.68 mm
- Chip thickness: 0.4 mm
- Bump size: 81.7 μm × 81.7 μm
- Bump height: 22.5 μm

# SED1526/28 Series

## ■ PAD COORDINATES

Unit: μm

PAD No.	PIN Name	X	Y	PAD No.	PIN Name	X	Y
1	V1	-2767	-2106	65	SEG16	2516	2185
2	V2	-2637		66	SEG17	2367	
3	V3	-2507		67	SEG18	2218	
4	V4	-2377		68	SEG19	2088	
5	V5	-2246	▼	69	SEG20	1957	
6	VR	-2116	-2149	70	SEG21	1827	
7	VDD	-1985	-2176	71	SEG22	1697	
8	VOUT	-1857		72	SEG23	1567	
9	CAP2-	-1727		73	SEG24	1437	
10	CAP2+	-1522		74	SEG25	1307	
11	CAP1-	-1318		75	SEG26	1177	
12	CAP1+	-1113	▼	76	SEG27	1046	
13	Vss	-553	-2166	77	SEG28	916	
14	M/S	-356	-2185	78	SEG29	786	
15	SR2	-226		79	SEG30	656	
16	SR1	-95		80	SEG31	526	
17	WR	35		81	SEG32	396	
18	RD	165		82	SEG33	266	
19	CS2	295		83	SEG34	135	
20	CS1	425		84	SEG35	5	
21	A0	555		85	SEG36	-125	
22	FR	719		86	SEG37	-255	
23	CL	849		87	SEG38	-385	
24	D0	979		88	SEG39	-515	
25	D1	1109		89	SEG40	-646	
26	D2	1239		90	SEG41	-776	
27	D3	1369		91	SEG42	-906	
28	D4	1500		92	SEG43	-1036	
29	D5	1630		93	SEG44	-1166	
30	D6	1760		94	SEG45	-1296	
31	D7	1890		95	SEG46	-1426	
32	COM0 (COM16) [CMOS ]	2069		96	SEG47	-1557	
33	COM1 (COM17) [COM0 ]	2199		97	SEG48	-1687	
34	COM2 (COM18) [COM1 ]	2329		98	SEG49	-1817	
35	COM3 (COM19) [COM2 ]	2459		99	SEG50	-1947	
36	COM4 (COM20) [COM3 ]	2589		100	SEG51	-2077	
37	COM5 (COM21) [COM4 ]	2719	▼	101	SEG52	-2226	
38	COM6 (COM22) [COM5 ]	2802	-1654	102	SEG53	-2375	▼
39	COM7 (COM23) [COM6 ]		-1524	103	SEG54	-2802	1932
40	COM8 (COM24) [COM7 ]		-1393	104	SEG55		1802
41	COM9 (COM25) [COM8 ]		-1263	105	SEG56		1672
42	COM10 (COM26) [COM9 ]		-1133	106	SEG57		1541
43	COM11 (COM27) [COM10]		-1003	107	SEG58		1411
44	COM12 (COM28) [COM11]		-873	108	SEG59		1281
45	COM13 (COM29) [COM12]		-743	109	SEG60		1151
46	COM14 (COM30) [COM13]		-612	110	SEG61		1021
47	COM15 (COM31) [COM14]		-482	111	SEG62		891
48	COMS [COM15]		-352	112	SEG63		760
49	SEG0		-193	113	SEG64 (COM15)		599
50	SEG1		-63	114	SEG65 (COM14)		469
51	SEG2		67	115	SEG66 (COM13)		339
52	SEG3		197	116	SEG67 (COM12)		209
53	SEG4		327	117	SEG68 (COM11)		78
54	SEG5		457	118	SEG69 (COM10)		-52
55	SEG6		588	119	SEG70 (COM9)		-182
56	SEG7		718	120	SEG71 (COM8)		-312
57	SEG8		848	121	SEG72 (COM7)		-442
58	SEG9		978	122	SEG73 (COM6)		-572
59	SEG10		1108	123	SEG74 (COM5)		-703
60	SEG11		1238	124	SEG75 (COM4)		-833
61	SEG12		1368	125	SEG76 (COM3)		-963
62	SEG13		1499	126	SEG77 (COM2)		-1093
63	SEG14		1629	127	SEG78 (COM1)		-1223
64	SEG15	▼	1759	128	SEG79 (COM0)	▼	-1353

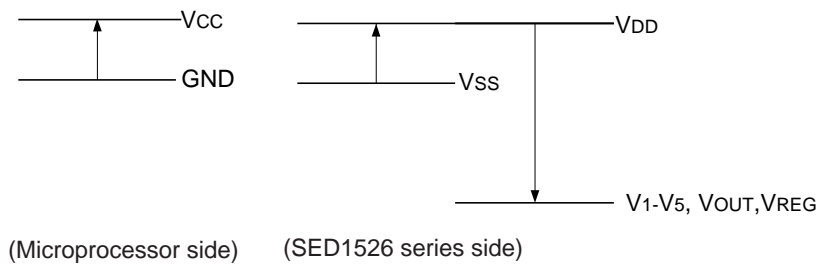
\* Pin names in ( ) apply to SED1528.

\* Pin names in [ ] apply to SED1526DA\* (CMOS pin = Type B).

# SED1526/28 Series

## ■ ABSOLUTE MAXIMUM RATINGS

Rating		Symbol	Value	Unit
Supply voltage range		V <sub>DD</sub>	-0.3 to +7.0	V
	Triple voltage conversion	V <sub>DD</sub>	-0.3 to +6.0	
Driver supply voltage range (1)		V <sub>5</sub>	-18.0 to +0.3	V
Driver supply voltage range (2)		V <sub>1</sub> , V <sub>2</sub> , V <sub>3</sub> , V <sub>4</sub>	V <sub>5</sub> to +0.3	V
Input voltage range		V <sub>IN</sub>	-0.3 to V <sub>DD</sub> +0.3	V
Output voltage range		V <sub>O</sub>	-0.3 to V <sub>DD</sub> +0.3	V
Allowable loss		P <sub>D</sub>	250	mW
Operating temperature range		T <sub>OPR</sub>	-40 to +85	°C
Storage temperature range	QFP • TCP	T <sub>STG</sub>	-65 to +150	°C
	Bear chip		-55 to +125	
Soldering temperature and time		T <sub>SOLDER</sub>	260/10 (at leads)	°C/sec



- Notes:
1. V<sub>1</sub> to V<sub>5</sub>, V<sub>OUT</sub>, and V<sub>REG</sub> voltages are based on V<sub>DD</sub>=0 V.
  2. Voltages V<sub>DD</sub> ≥ V<sub>1</sub> ≥ V<sub>2</sub> ≥ V<sub>3</sub> ≥ V<sub>4</sub> ≥ V<sub>5</sub> must always be satisfied.
  3. If an LSI exceeds its absolute maximum rating, it may be damaged permanently. It is desirable to use it under electrical characteristics conditions during general operation. Otherwise, an LSI malfunction or reduced LSI reliability may result.
  4. The moisture resistance of the flat package may drop during soldering. Take care not to excessively heat the package resin during chip mounting.

## ■ ELECTRICAL CHARACTERISTICS

### ● DC Characteristics

( $V_{DD} = 5\text{ V} \pm 10\%$ ,  $V_{SS} = 0\text{ V}$ ,  $T_a = -40$  to  $+85^\circ\text{C}$  unless otherwise noted.)

Item		Symbol	Condition	Min.	Typ.	Max.	Unit	Pin used
Power voltage (1)	Operational	$V_{DD}$		2.4		6.0	V	$V_{DD}$ *1
Operating voltage (2)	Operational	$V_5$		-13.0		-4.0	V	$V_5$ *2
	Operational	$V_1, V_2$		$0.6 \times V_5$		$V_{DD}$	V	$V_1, V_2$
	Operational	$V_3, V_4$		$V_5$		$0.4 \times V_5$	V	$V_3, V_4$
CMOS	High-level input voltage	$V_{IHC}$		$0.7 \times V_{DD}$		$V_{DD}$	V	*3
			$V_{DD} = 2.7\text{ V}$	$0.8 \times V_{DD}$	$V_{DD}$			
	Low-level input voltage	$V_{ILC}$		$V_{SS}$		$0.3 \times V_{DD}$	V	*3
			$V_{DD} = 2.7\text{ V}$	$V_{SS}$	$0.2 \times V_{DD}$			
	High-level output voltage	$V_{OHC}$	$I_{OH} = -1\text{ mA}$	$0.8 \times V_{DD}$		$V_{DD}$	V	*4
			$V_{DD} = 2.7\text{ V}$ , $I_{OH} = -0.5\text{ mA}$	$0.8 \times V_{DD}$	$V_{DD}$			
Low-level output voltage	$V_{OLC}$	$I_{OH} = 1\text{ mA}$	$V_{SS}$		$0.2 \times V_{DD}$	V	*4	
		$V_{DD} = 2.7\text{ V}$ , $I_{OL} = 0.5\text{ mA}$	$V_{SS}$	$0.2 \times V_{DD}$				
Schmitt	High-level input voltage	$V_{IHS}$		$0.4 \times V_{DD}$		$0.8 \times V_{DD}$	V	*5
			$V_{DD} = 2.7\text{ V}$	$0.4 \times V_{DD}$	$0.8 \times V_{DD}$			
	Low-level input voltage	$V_{ILS}$		$0.2 \times V_{DD}$		$0.6 \times V_{DD}$	V	*5
			$V_{DD} = 2.7\text{ V}$	$0.2 \times V_{DD}$	$0.6 \times V_{DD}$			
Input leakage current		$I_{LI}$		-1.0		1.0	$\mu\text{A}$	*6
Output leakage current		$I_{LO}$		-3.0		3.0	$\mu\text{A}$	*7
LCD driver ON resistance		$R_{ON}$	$T_a = 25^\circ\text{C}$ $V_5 = -0.5\text{ V}$		15.0	30.0	$\text{K}\Omega$	SEG0 to 79 COS0 to 15 COMS *9
Static current consumption		$I_{DDQ}$	$\overline{CS} = C_L = V_{DD}$		0.05	3.0	$\mu\text{A}$	$V_{DD}$
Input pin capacity		$C_{IN}$	$T_a = 25^\circ\text{C}$ , $f = 1\text{ MHz}$		5.0	8.0	pF	Input pins
CL output frequency		$f_{CL}$	$T_a = 25^\circ\text{C}$ , $V_{DD} = 2.7$ to $5\text{ V}$	2.4	2.9	3.7	kHz	*8

### ● Dynamic current consumption (1) when the built-in power supply is OFF

( $T_a = 25^\circ\text{C}$ )

Item	Symbol	Conditions	Min.	Typ.	Max.	Unit	Remarks
SED1526	IDD (1)	$V_{DD} = 5.0\text{V}$ , $V_5 - V_{DD} = -6.0\text{V}$	-	9.1	18	$\mu\text{A}$	*12
		$V_{DD} = 3.0\text{V}$ , $V_5 - V_{DD} = -6.0\text{V}$	-	12.0	24		
SED1528		$V_{DD} = 5.0\text{V}$ , $V_5 - V_{DD} = -8.0\text{V}$	-	7.5	15		
		$V_{DD} = 3.0\text{V}$ , $V_5 - V_{DD} = -8.0\text{V}$	-	9.5	19		

# SED1526/28 Series

## ● Dynamic current consumption (2) when the built-in power supply is ON

Ta = 25°C

Item	Symbol	Conditions	Min.	Typ.	Max.	Unit	Remarks
SED1526	I <sub>DD</sub> (2)	V <sub>DD</sub> = 5.0V, V <sub>5</sub> -V <sub>DD</sub> = -6.0V, dual boosting	—	28	56	μA	*13
		V <sub>DD</sub> = 3.0V, V <sub>5</sub> -V <sub>DD</sub> = -6.0V, triple boosting	—	52	104		
SED1528		V <sub>DD</sub> = 5.0V, V <sub>5</sub> -V <sub>DD</sub> = -8.0V, dual boosting	—	29	58		
		V <sub>DD</sub> = 3.0V, V <sub>5</sub> -V <sub>DD</sub> = -8.0V, triple boosting	—	48	96		

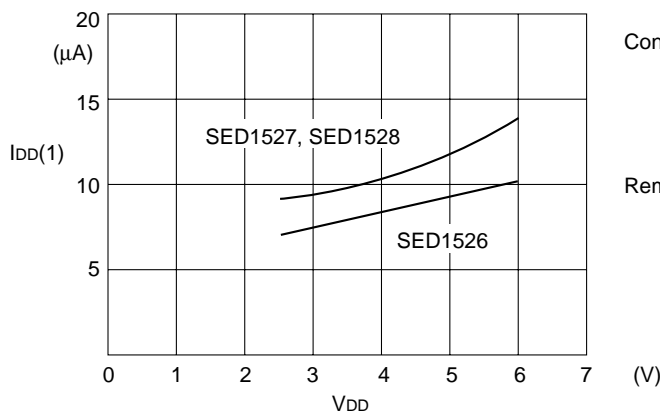
## ● Current consumption during Power Save mode V<sub>SS</sub> = 0 V, V<sub>DD</sub> = 2.7 to 5.5 V

Ta = 25°C

Item	Symbol	Conditions	Min.	Typ.	Max.	Unit	Remarks
Power save mode	I <sub>DD</sub> S1	SED1526, SED1528	—	3	6	μA	—

## ● Typical current consumption characteristics (reference data)

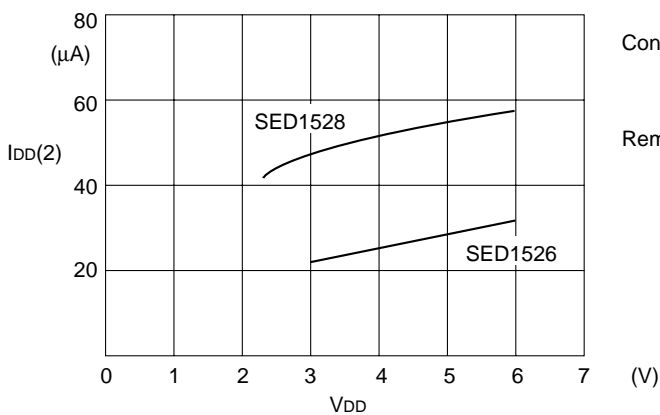
- Dynamic current consumption (1) when LCD external power mode lamp is ON



Conditions: The built-in power supply is OFF and an external power supply is used.  
 SED1526 V<sub>5</sub>-V<sub>DD</sub> = -6.0V  
 SED1528 V<sub>5</sub>-V<sub>DD</sub> = -8.0V

Remarks: \*12

- Dynamic current consumption (2) when the LCD built-in power supply lamp is ON

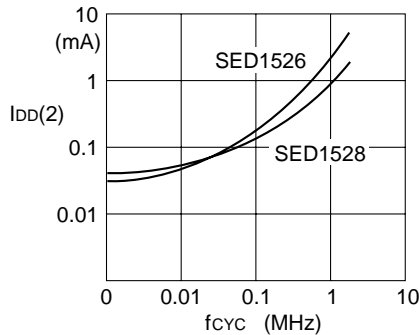


Conditions: The built-in power supply is ON.  
 SED1526 V<sub>5</sub>-V<sub>DD</sub> = -6.0V dual boosting  
 SED1528 V<sub>5</sub>-V<sub>DD</sub> = -8.0V triple boosting

Remarks: \*13



- Current consumption  $I_{DD}$  during access (2) during MPU access cycle



It shows the current consumption when a checker pattern is always written in  $f_{sync}$  timing. When not accessed, only the current consumption of  $I_{DD}$  (2) occurs.

Conditions: SED1526  $V_5 - V_{DD} = -6.0V$ ,  
dual boosting  
SED1528  $V_5 - V_{DD} = -8.0V$ ,  
triple boosting  
 $T_a = 25^\circ C$

	Item	Symbol	Conditions	Min.	Typ.	Max.	Unit	Pins used
Built-in power circuit	Input voltage	$V_{DD}$	—	2.4	—	6.0	V	*10
	Booster output voltage	$V_{OUT}$	$V_{DD}$ reference (during triple boosting)	-16.5	—	—	V	$V_{OUT}$
	Voltage regulator circuit operating voltage	$V_{OUT}$	$V_{DD}$ reference	-16.5	—	-4.0	V	$V_{OUT}$
	Voltage follower operating voltage	$V_5$	$V_{DD}$ reference	-13.0	—	-4.0	V	*11
	Reference voltage	$V_{REG}$	$V_{DD}$ reference $T_a = 25^\circ C$	-3.5	-3.1	-2.7	V	$V_R$

\* See notes below.

- \*1 Although the wide range of operating voltage is guaranteed, a spike voltage change during access to the MPU is not guaranteed.
- \*2 The operating voltage range of the  $V_{DD}$  and  $V_5$  systems (See Figure 9.)  
The operating voltage range is applied if an external power supply is used.
- \*3 Pins D0 to D5, A0, CS1, CS2, RD (E), WR (R/W), M/S, CL, and FR
- \*4 Pins D0 to D7, FR, and CL
- \*5 Pins SI (D7), SCL (D6), SR1, and SR2
- \*6 Pins A0, RD (E), WR (R/W), CS1, CS2, M/S, SR1, and SR2
- \*7 Applied if pins D0 to D7, FR, and CL are high impedance.
- \*8 For the relationship between CL output frequency and frames, see Figure 7.  
For the relationship between CL output frequency and power voltage, see Figure 8.  
For the relationship between CL output frequency and temperature, see Figure 11.
- \*9 The resistance when the 0.1-volt voltage is applied between the SEG and COM output terminals and each power terminal ( $V_1$ ,  $V_2$ ,  $V_3$  or  $V_4$ ). It must be within operating voltage (2).  
$$RON = 0.1 V / \Delta I$$
  
where,  $\Delta I$  is the current that flows between power supply and SEG or COM terminal when the 0.1-volt voltage is applied.
- \*10 If the triple voltage by the built-in power circuit are used the  $V_{DD}$  primary power must be used within the input voltage range.
- \*11 The  $V_5$  voltage can be adjusted within the voltage follower operating range by use of voltage regulator.
- \*12 Applied if the built-in oscillation circuit is used and if not accessed by the MPU.
- \*13 Applied if the built-in oscillation circuit and the built-in power circuit are used, and if not accessed by the MPU.  
The current flowing through the voltage regulator resistors (R1, R2 and R3) is not included.  
When the built-in voltage booster is used, the current consumption for the  $V_{DD}$  power supply is shown.

# SED1526/28 Series

- Relationship between CL output frequency and frames (SED 1526 series)

The relationship between CL output frequency ( $f_{CL}$ ) and frame frequency ( $f_F$ ) can be determined as follows:

	Duty	$f_F$
SED1526	1/9	$8 \cdot f_{CL}/288$
	1/17	$8 \cdot f_{CL}/272$
SED1528	1/33	$8 \cdot f_{CL}/264$

Figure 7

(" $f_F$ " indicates the LCD current alternating cycle, but not the cycle of  $f_F$  signals.)

- Relationship between CL output frequency and power voltage

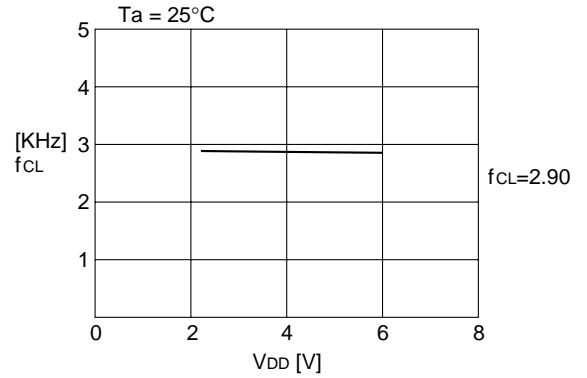
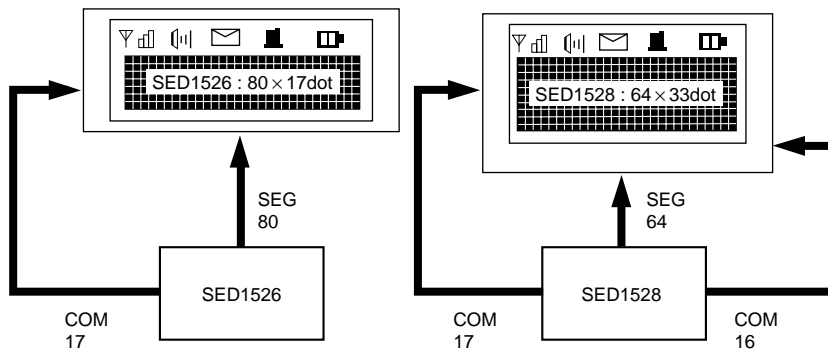
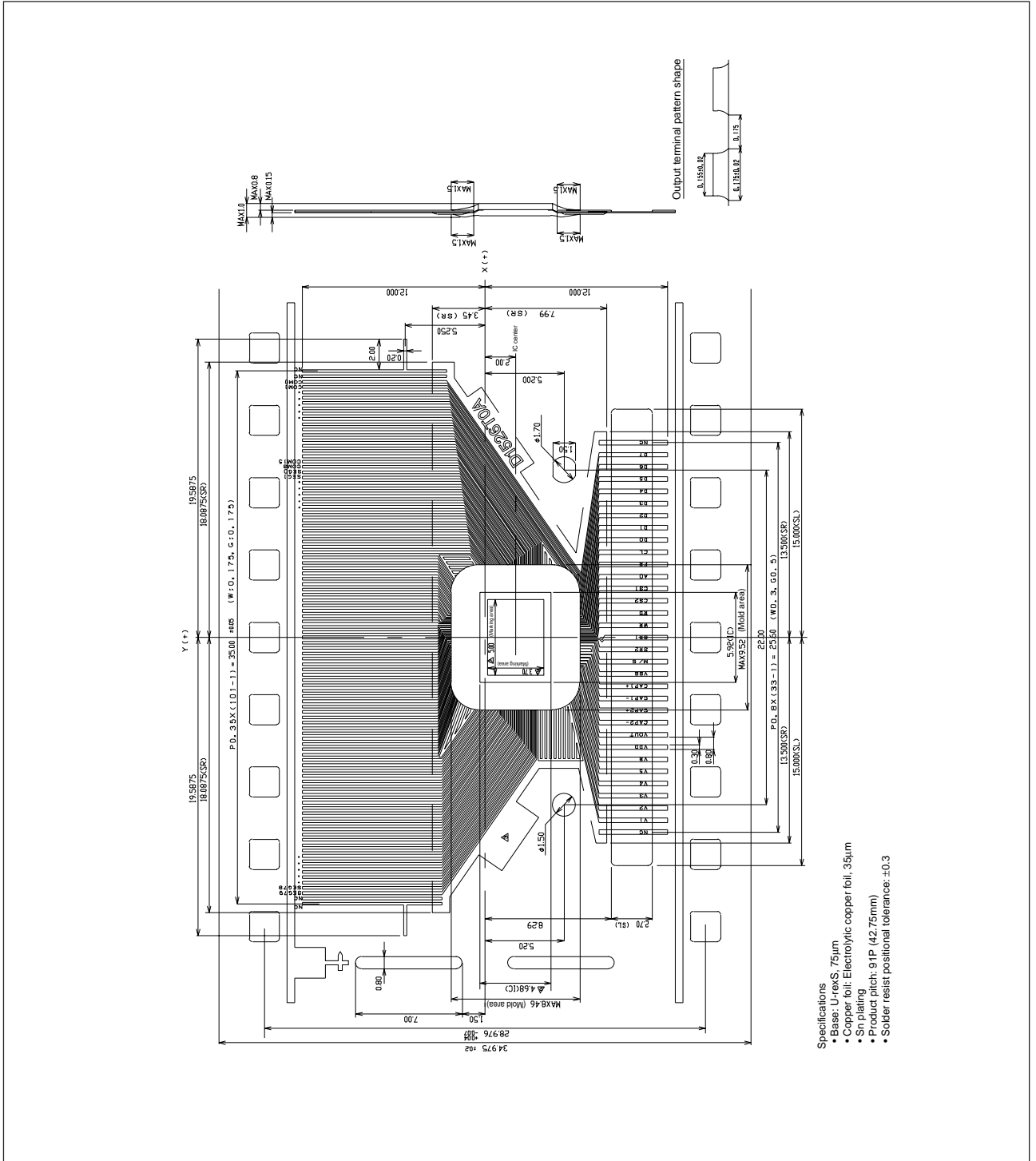


Figure 7

- LCD Panel and Wiring Examples
- Single-chip configuration



● TPC shape SED1526ToA (Reference drawing)

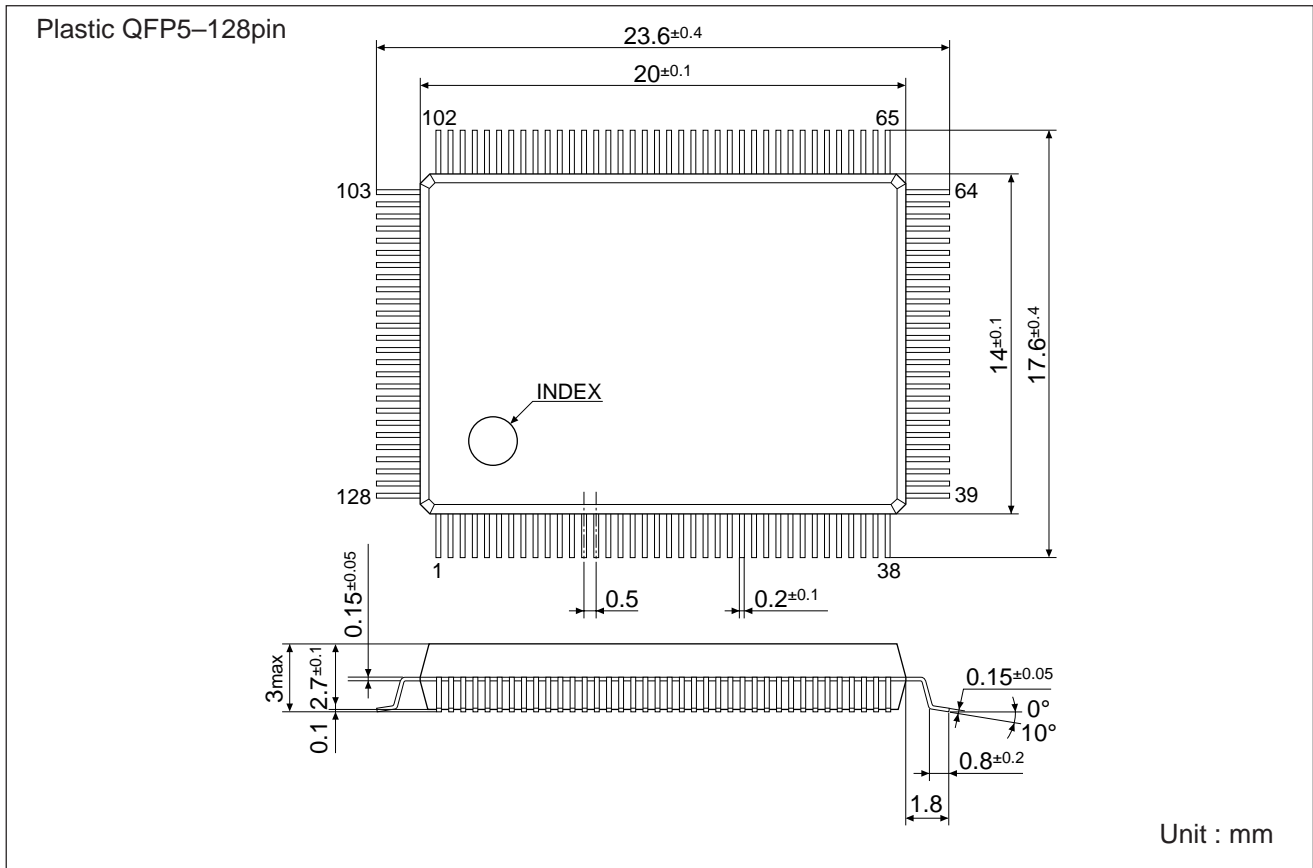


- Specifications
- Base: U-rexS, 75 $\mu$ m
  - Copper foil: Electrolytic copper foil, 35 $\mu$ m
  - Sn plating
  - Product pitch: 91P (42.75mm)
  - Solder resist positional tolerance:  $\pm$ 0.3

This dimensional outline drawing is subject to change for improvements without prior notice.

# SED1526/28 Series

## ■ PACKAGE DIMENSIONS



The package dimensions are subject to change without notice.

### NOTICE:

No part of this material may be reproduced or duplicated in any form or by any means without the written permission of Seiko Epson. Seiko Epson reserves the right to make changes to this material without notice. Seiko Epson does not assume any liability of any kind arising out of any inaccuracies contained in this material or due to its application or use in any product or circuit and, further, there is no representation that this material is applicable to products requiring high level reliability, such as, medical products. Moreover, no license to any intellectual property rights is granted by implication or otherwise, and there is no representation or warranty that anything made in accordance with this material will be free from any patent or copyright infringement of a third party. This material or portions thereof may contain technology or the subject relating to strategic products under the control of the Foreign Exchange and Foreign Trade Control Law of Japan and may require an export license from the Ministry of International Trade and Industry or other approval from another government agency.

IBM is registered trademark of International Business Machines Corporation, U.S.A.

© Seiko Epson Corporation 1996 All right reserved.

## SEIKO EPSON CORPORATION

### ELECTRONIC DEVICE MARKETING DEPARTMENT

#### IC Marketing & Engineering Group

421-8 Hino, Hino-shi, Tokyo 191, JAPAN  
Phone: 0425-87-5816 FAX: 0425-87-5624

#### International Marketing Department I (Europe, U.S.A.)

421-8 Hino, Hino-shi, Tokyo 191, JAPAN  
Phone: 0425-87-5812 FAX: 0425-87-5564

#### International Marketing Department II (Asia)

421-8 Hino, Hino-shi, Tokyo 191, JAPAN  
Phone: 0425-87-5814 FAX: 0425-87-5110

First issue Dec., 1996 ©  
Printed Nov. 1996 in Japan