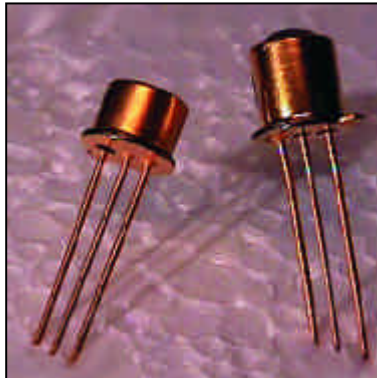


Photo IC Switch Sensor

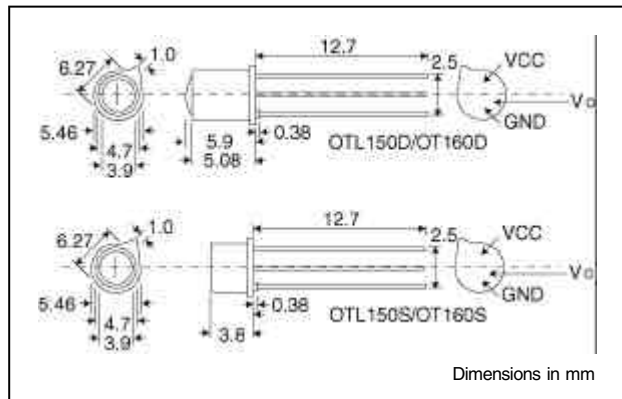
Type OT150D/S OT160D/S



Matched sensitivity to ± 18 percent is attained with OT150/OT160 Photo IC Sensors. Each sensor consists of a photo diode with low level amplifier Schmitt trigger, voltage regulator and open collector driver output in a hermetic package. The OT 150 output transistor switches "OFF" when the sensor detects light. The OT 160 output transistor switches "ON" when the sensor detects light. An IR

filter to minimise the effects of ambient light is also available.

- Matched sensitivity
- Hermetically sealed package
- Rad Hard



Specifications:

Operating Temperature Range -40°C to 70°C

PARAMETERS	SYMBOL	MIN.	TYP	MAX.	UNITS
Supply Voltage	Vcc	4.0	5.0	15.0	V
Supply Current	Icc		4.0	8.0	mA
Collector Emitter Saturation Voltage ($I_{OL} = 15mA$) ($I_{OL} = 25mA$)	$V_{CE(SAT)}$		0.3 0.5	0.5 0.8	V
Output Off Current	Iout			1.0	μA
Output On Current	Iout			25	mA
Light Level Threshold OT150D/OT160D OT150S/OT160S	Eon	7.5 45	9.2 55	10.8 65	$\mu W/cm^2$
Hysteresis	ΔE		12		%
Output Rise Time	t_r		200	500	nS
Rise or Fall Time	t_f		200	500	nS
Propagation Delay $E = 300\mu w/cm^2$	t_p		15		μS

Rhopoint Components Ltd

Tel: +44 (0) 870 608 1188 Fax: +44 (0) 870 241 2255

Germany: +49 (0) 692 199 8606 Fax: +49 (0) 692 199 8595

Email: sales@rhpointcomponents.com

Website: www.rhpointcomponents.com