

Evaluation Board for CS5333

Features

- Demonstrates recommended layout and grounding arrangements
- CS8404A generates AES/EBU, S/PDIF, and EIAJ-340 compatible digital audio
- Requires only an analog signal source and power supplies for a complete Analog-to-Digital-Converter system

Description

The CDB5333 evaluation board is an excellent means for quickly evaluating the CS5333 24-bit, stereo A/D converter. Evaluation requires a digital signal analyzer, an analog signal source, and a power supply.

Also included is a CS8404A digital audio interface transmitter which generates AES/EBU, S/PDIF, and EIAJ-340 compatible audio data. The digital audio data is available via RCA phono and optical connectors.

ORDERING INFORMATION

CDB5333

Evaluation Board

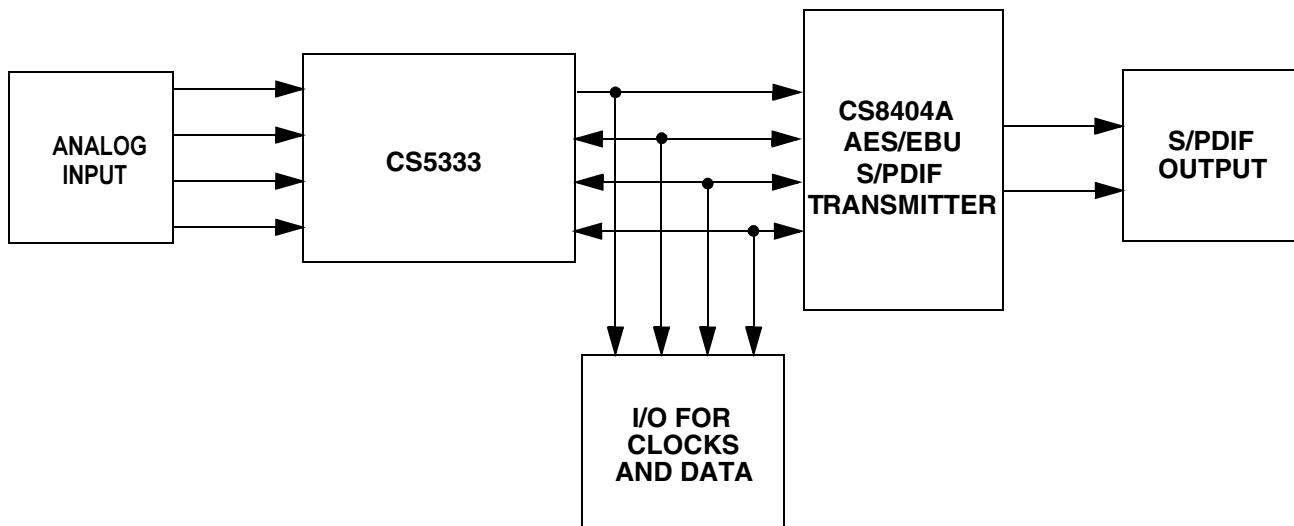


TABLE OF CONTENTS

1. CDB5333 SYSTEM OVERVIEW	3
2. CS5333 ANALOG TO DIGITAL CONVERTER	3
3. CS8404A DIGITAL AUDIO TRANSMITTER	3
4. INPUT/OUTPUT FOR CLOCKS AND DATA	3
5. POWER SUPPLY CIRCUITRY	3
6. GROUNDING AND POWER SUPPLY DECOUPLING	3

LIST OF FIGURES

Figure 1. System Block Diagram and Signal Flow	5
Figure 2. Analog Audio Input.....	6
Figure 3. CS5333	7
Figure 4. Reset Circuit.....	7
Figure 5. Level Shifters	8
Figure 6. I/O for Clocks/Data.....	9
Figure 7. CS8404A Digital Audio Interface.....	9
Figure 8. Digital Audio Output	10
Figure 9. Power Circuit.....	11
Figure 10. Top Layer Silkscreen	12
Figure 11. Top Layer.....	13
Figure 12. Bottom Layer.....	14

LIST OF TABLES

Table 1. System Connections	4
Table 2. CDB5333 Jumper and Switch Settings	4

Contacting Cirrus Logic Support

For a complete listing of Direct Sales, Distributor, and Sales Representative contacts, visit the Cirrus Logic web site at:
<http://www.cirrus.com/corporate/contacts/>

Preliminary product information describes products which are in production, but for which full characterization data is not yet available. Advance product information describes products which are in development and subject to development changes. Cirrus Logic, Inc. has made best efforts to ensure that the information contained in this document is accurate and reliable. However, the information is subject to change without notice and is provided "AS IS" without warranty of any kind (express or implied). Customers are advised to obtain the latest version of relevant information to verify, before placing orders, that information being relied on is current and complete. All products are sold subject to the terms and conditions of sale supplied at the time of order acknowledgment, including those pertaining to warranty, patent infringement, and limitation of liability. No responsibility is assumed by Cirrus Logic, Inc. for the use of this information, including use of this information as the basis for manufacture or sale of any items, nor for infringements of patents or other rights of third parties. This document is the property of Cirrus Logic, Inc. and by furnishing this information, Cirrus Logic, Inc. grants no license, express or implied under any patents, mask work rights, copyrights, trademarks, trade secrets or other intellectual property rights of Cirrus Logic, Inc. Cirrus Logic, Inc., copyright owner of the information contained herein, gives consent for copies to be made of the information only for use within your organization with respect to Cirrus Logic integrated circuits or other parts of Cirrus Logic, Inc. The same consent is given for similar information contained on any Cirrus Logic website or disk. This consent does not extend to other copying such as copying for general distribution, advertising or promotional purposes, or for creating any work for resale. The names of products of Cirrus Logic, Inc. or other vendors and suppliers appearing in this document may be trademarks or service marks of their respective owners which may be registered in some jurisdictions. A list of Cirrus Logic, Inc. trademarks and service marks can be found at <http://www.cirrus.com>.

1. CDB5333 SYSTEM OVERVIEW

The CDB5333 evaluation board is an excellent means of quickly evaluating the CS5333. The CS8404A digital audio interface transmitter provides an easy interface to digital audio signal analyzers including the majority of digital audio test equipment.

The CDB5333 schematic has been partitioned into 8 schematics shown in Figures 2 through 9. Each partitioned schematic is represented in the system diagram shown in Figure 1. Notice that the system diagram also includes the interconnections between the partitioned schematics.

2. CS5333 ANALOG TO DIGITAL CONVERTER

A description of the CS5333 is included in the CS5333 datasheet.

3. CS8404A DIGITAL AUDIO TRANSMITTER

The system generates and encodes standard S/PDIF data using a CS8404A Digital Audio Transmitter, Figure 7. The outputs of the CS8404A are RS422 compatible differential line drivers. The CS8404A data format has been configured for I2S. A description of the CS8404A is included in the CS8404A datasheet.

Note: The CS8404A can not be the clock source for the board

4. INPUT/OUTPUT FOR CLOCKS AND DATA

The evaluation board has been designed to allow interfacing to external systems via the 10-pin head-

er, J6. The schematic for the clock/data input/output is shown in Figure 6.

The CDB5333 allows some flexibility as to the generation of the clocks. When in slave mode, the MCLK, SCLK, and LRCK must be provided via the header, J6. When operating the CS5333 in master mode, MCLK is generated from the on board oscillator, Y1. This oscillator is socketed to allow other frequency oscillators to be used.

Note: When providing MCLK externally, the on board oscillator must be removed.

5. POWER SUPPLY CIRCUITRY

Power is supplied to the evaluation board by four binding posts (GND, +5 V, VA, VL), see Figure 9. The +5 V input supplies power to the +5 V digital circuitry (+5 V) and the amplifiers (VAA_+5 V), while the two +1.8/+3.3 V inputs supply power to the VA and VL pins of the CS5333 and to the level shifter circuits.

6. GROUNDING AND POWER SUPPLY DECOUPLING

The CS5333 requires careful attention to power supply and grounding arrangements to optimize performance. Figure 3 details the power distribution used on this board. The decoupling capacitors are located as close to the CS5333 as possible. Extensive use of ground plane fill in the evaluation board yields large reductions in radiated noise.

CONNECTOR	INPUT/OUTPUT	SIGNAL PRESENT
+5 V	Input	+ 5 Volt power
VA	Input	+ 1.8 to + 3.3 Volt power for the CS5333
VL	Input	+ 1.8 to +3.3 Volt power for the CS5333
GND	Input	Ground connection from power supply
Left Audio In	Input	Analog input left channel
Right Audio In	Input	Analog input right channel
Optical Output	Output	Digital audio output
Coax Output	Output	Digital audio output

Table 1. System Connections

JUMPER / SWITCH	PURPOSE	POSITION	FUNCTION SELECTED
J3	MCLK divide/Mode select	HI *LOW	Master: High Rate mode Slave: MCLK divide Master: Base Rate mode Slave: NA
J4	Data format select	HI *LOW	Left Justified, up to 24-bit data I2S, up to 24-bit data
J5	MCLK divider for the CS8404A	DIV1 *DIV2 DIV4	MCLK goes straight to CS8404A MCLK divided by two prior to CS8404A MCLK divided by four prior to CS8404A
J7	Master/Slave select for CS5333	*HI LOW	CS5333 in Master mode CS5333 in Slave mode
J6	Input/Output for clocks/data	-	-
S1	Reset for the CDB5333	-	-

Notes: * denotes default factory settings

Table 2. CDB5333 Jumper and Switch Settings

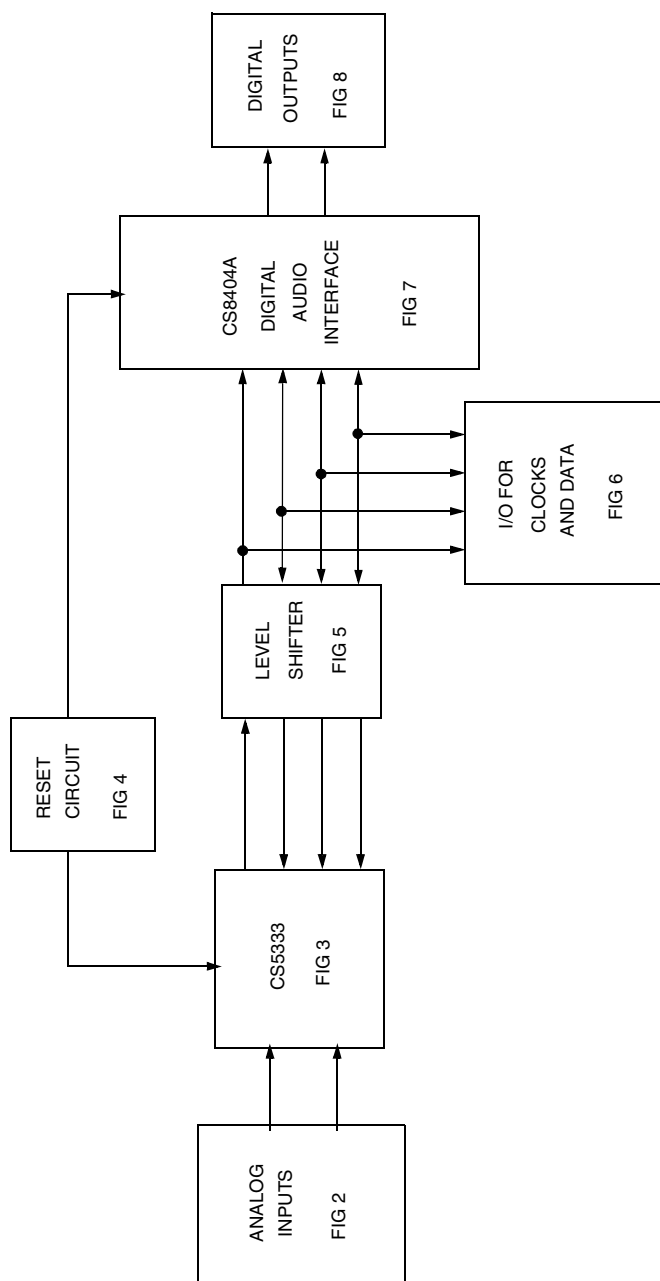


Figure 1. System Block Diagram and Signal Flow

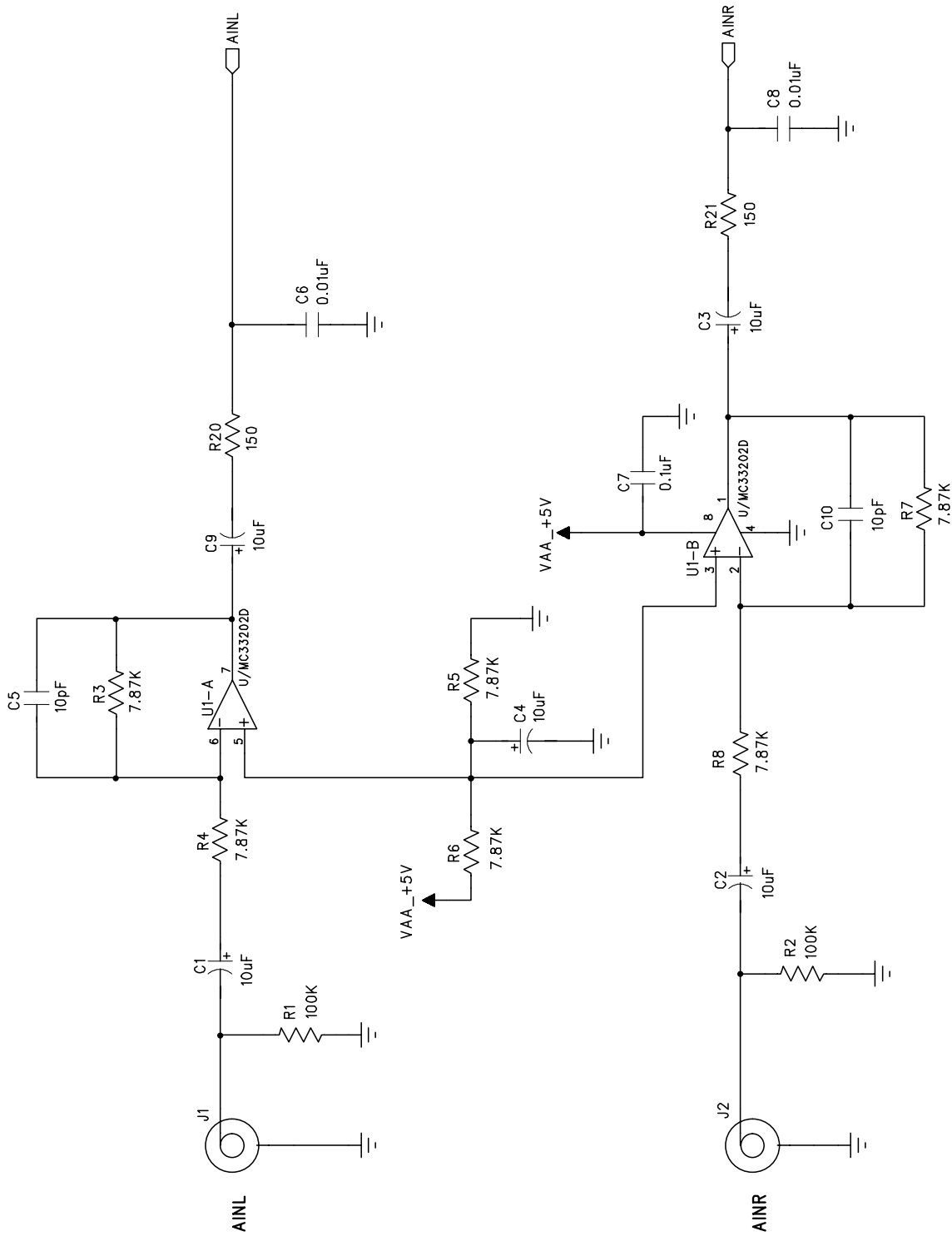


Figure 2. Analog Audio Input

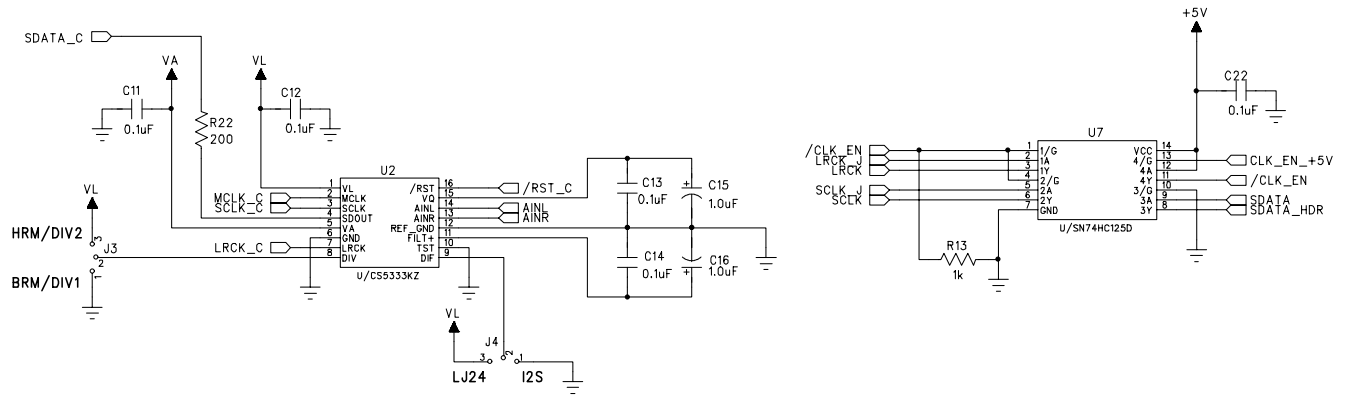


Figure 3. CS5333

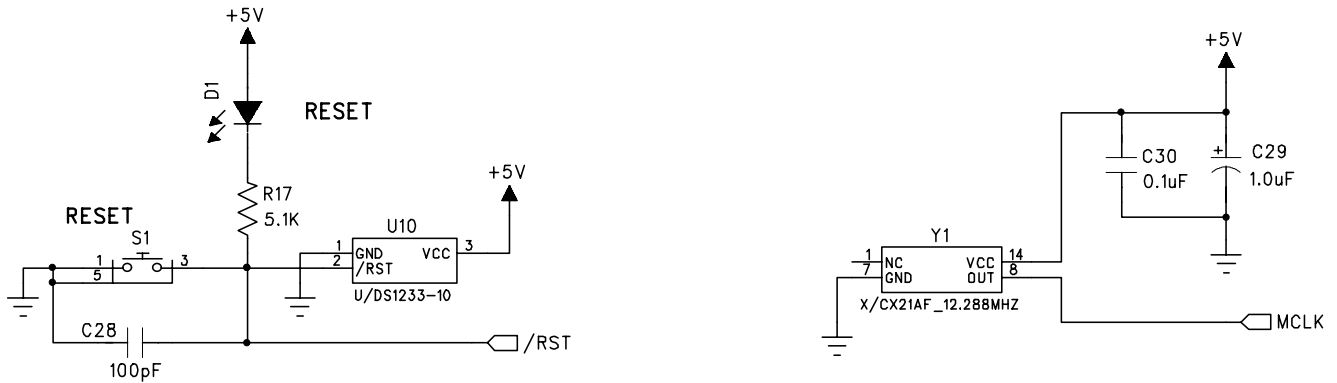
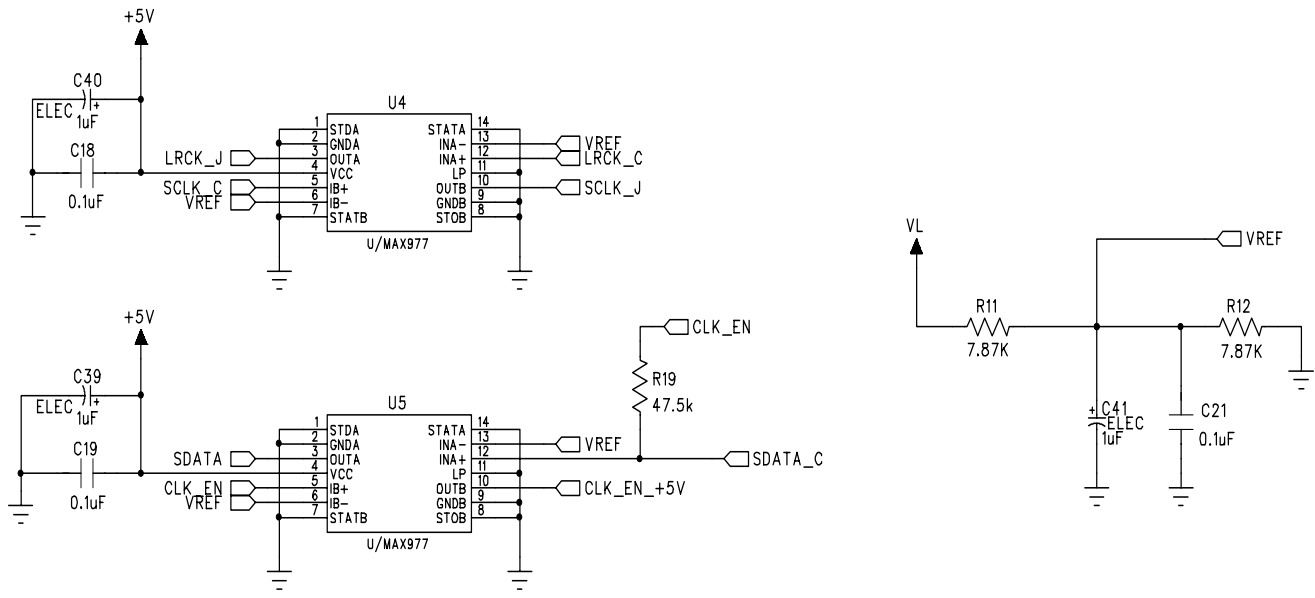
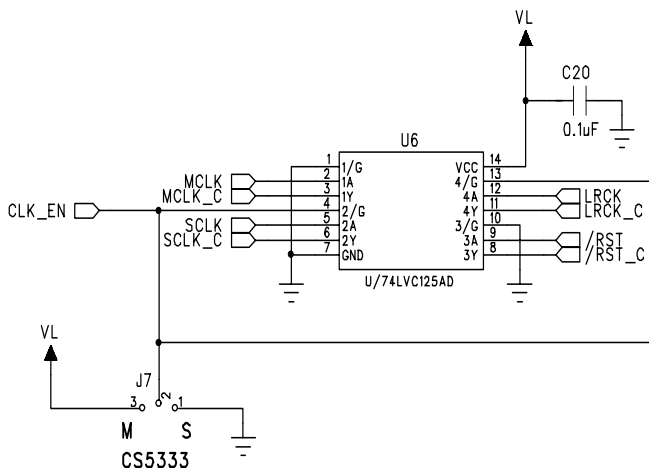


Figure 4. Reset Circuit



UP SHIFTERS



DOWN SHIFTER

Figure 5. Level Shifters

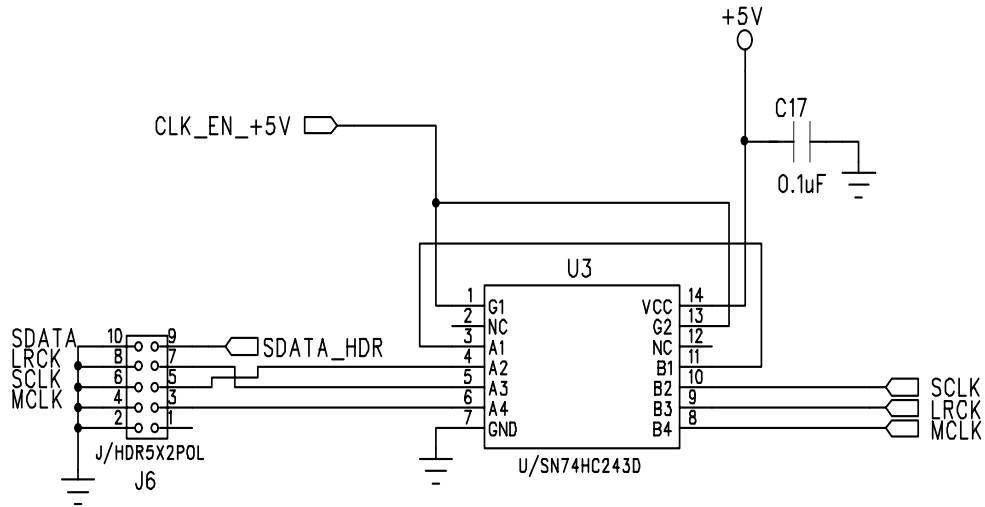
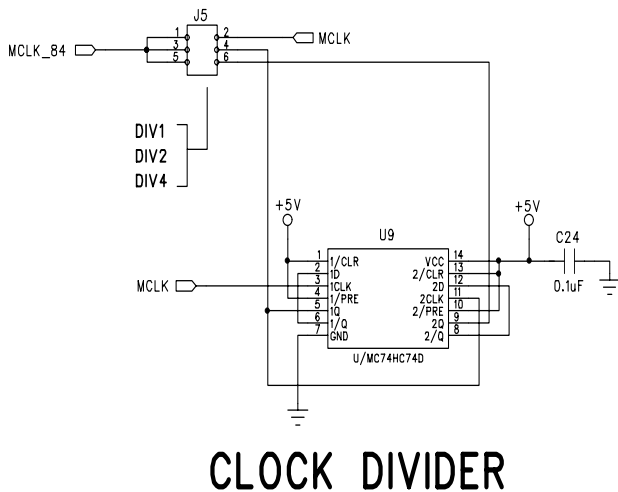
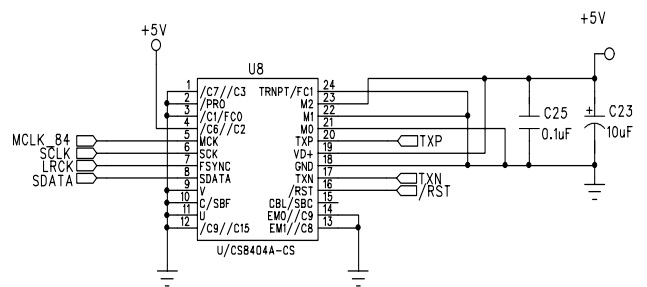


Figure 6. I/O for Clocks/Data



CLOCK DIVIDER



CS8404 TRANSMITTER

Figure 7. CS8404A Digital Audio Interface

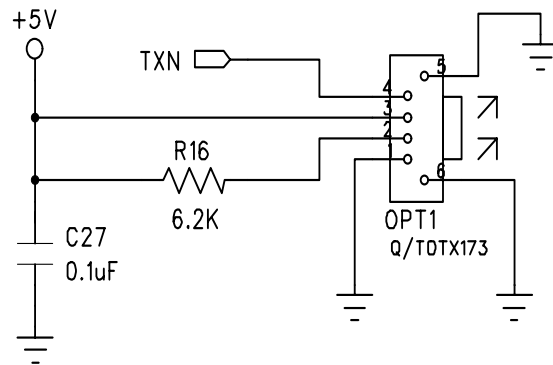
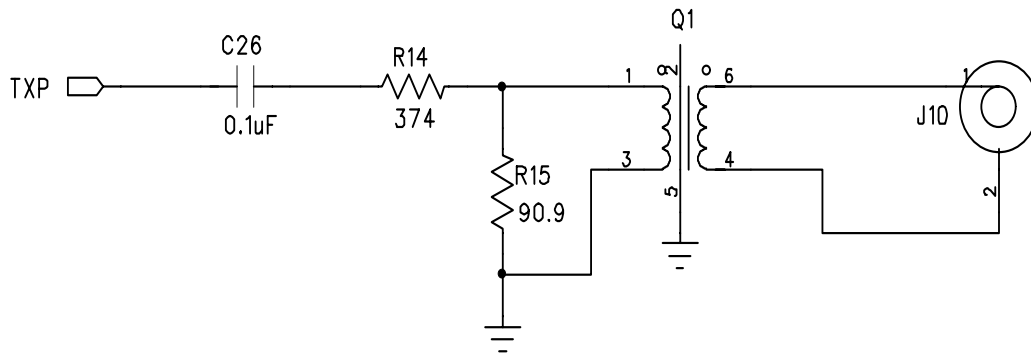


Figure 8. Digital Audio Output

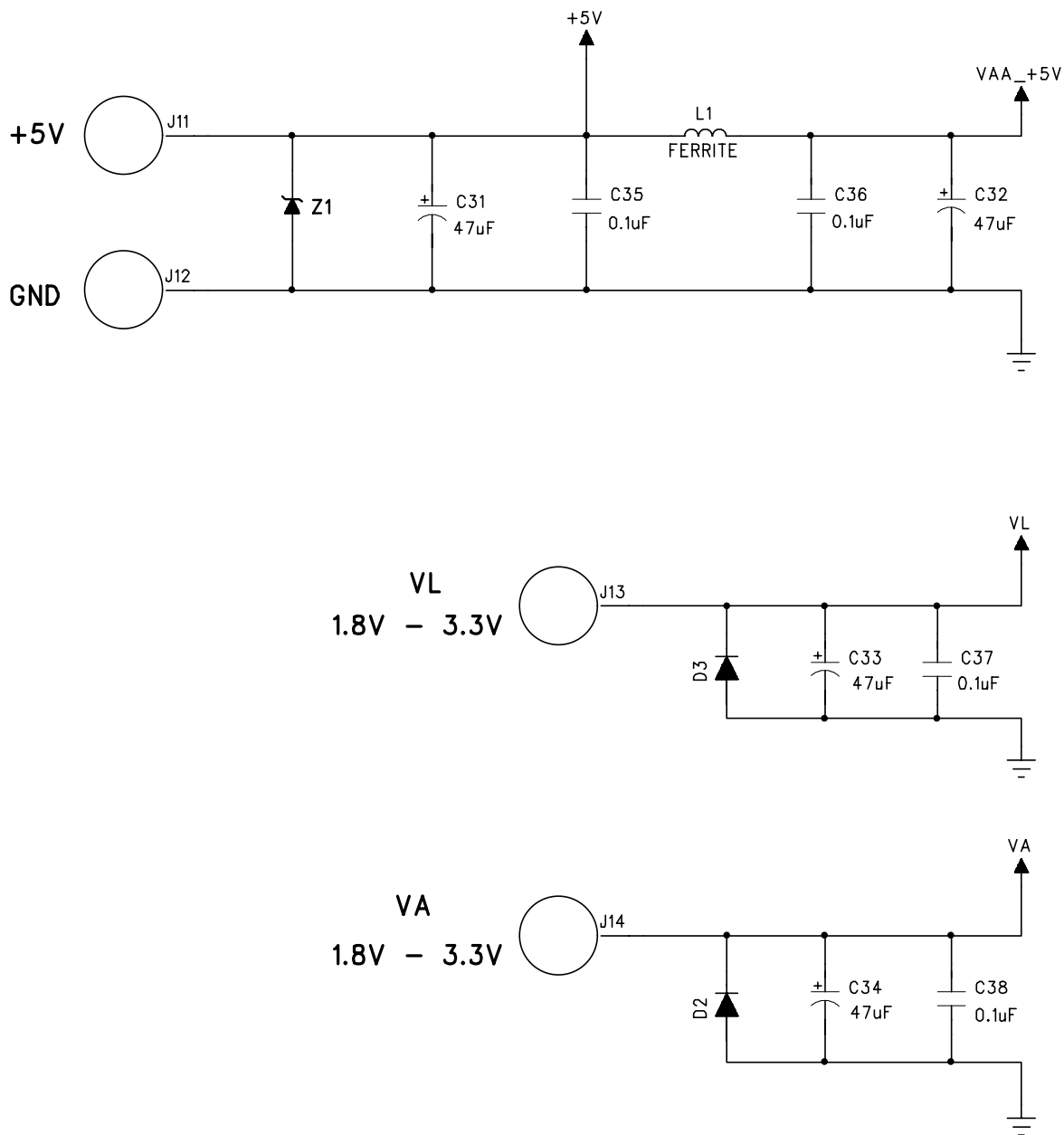


Figure 9. Power Circuit

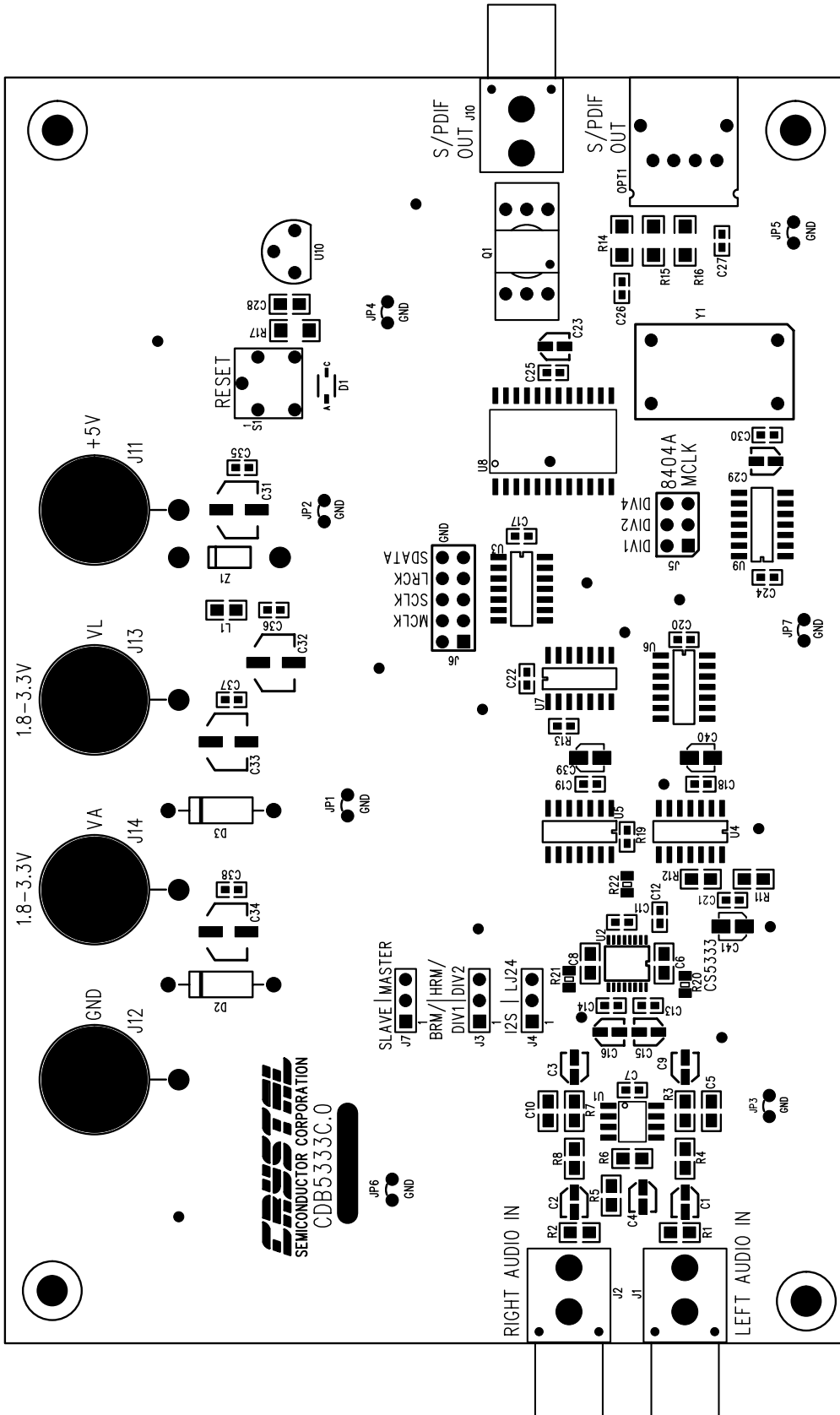


Figure 10. Top Layer Silkscreen

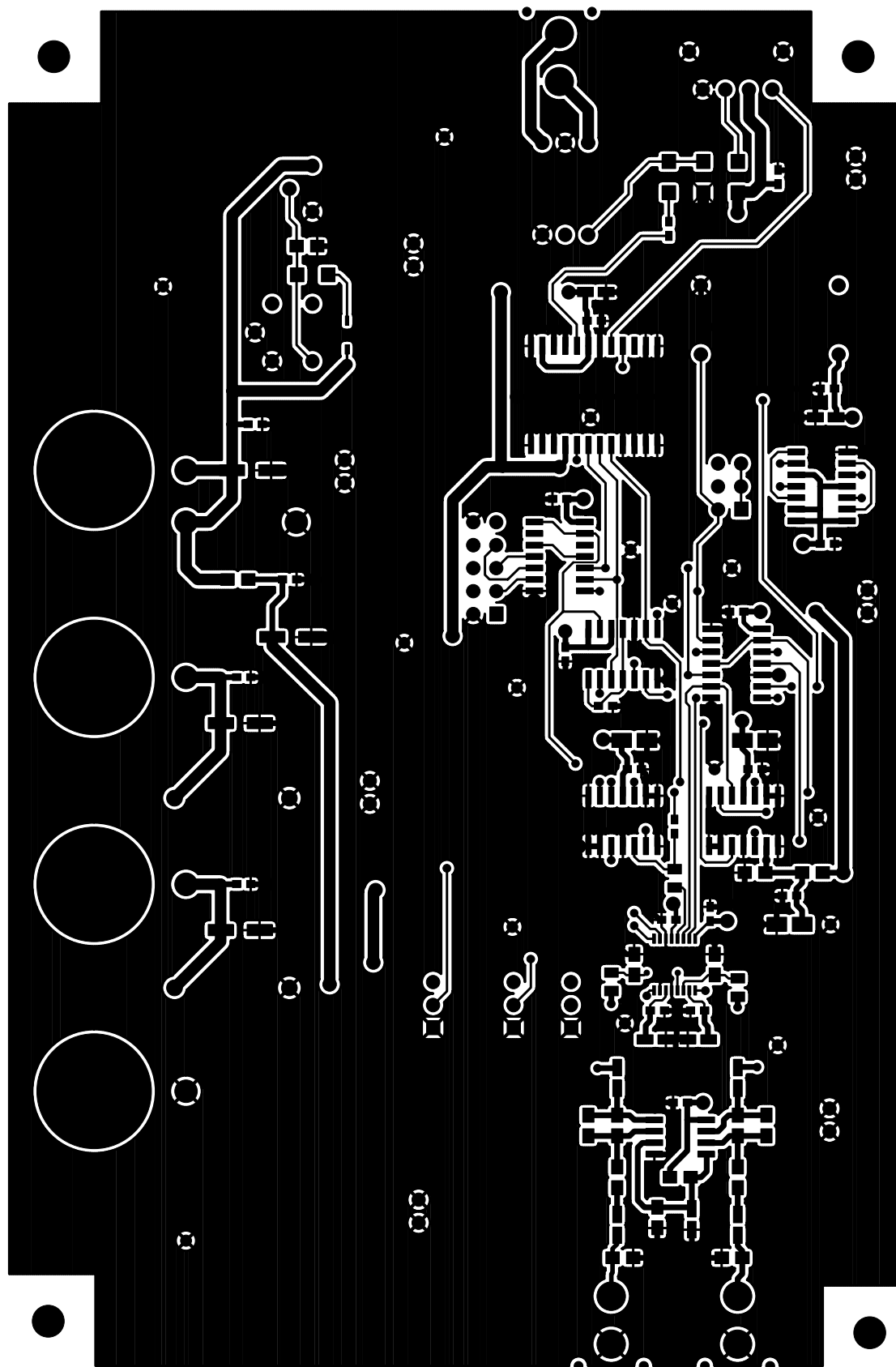


Figure 11. Top Layer

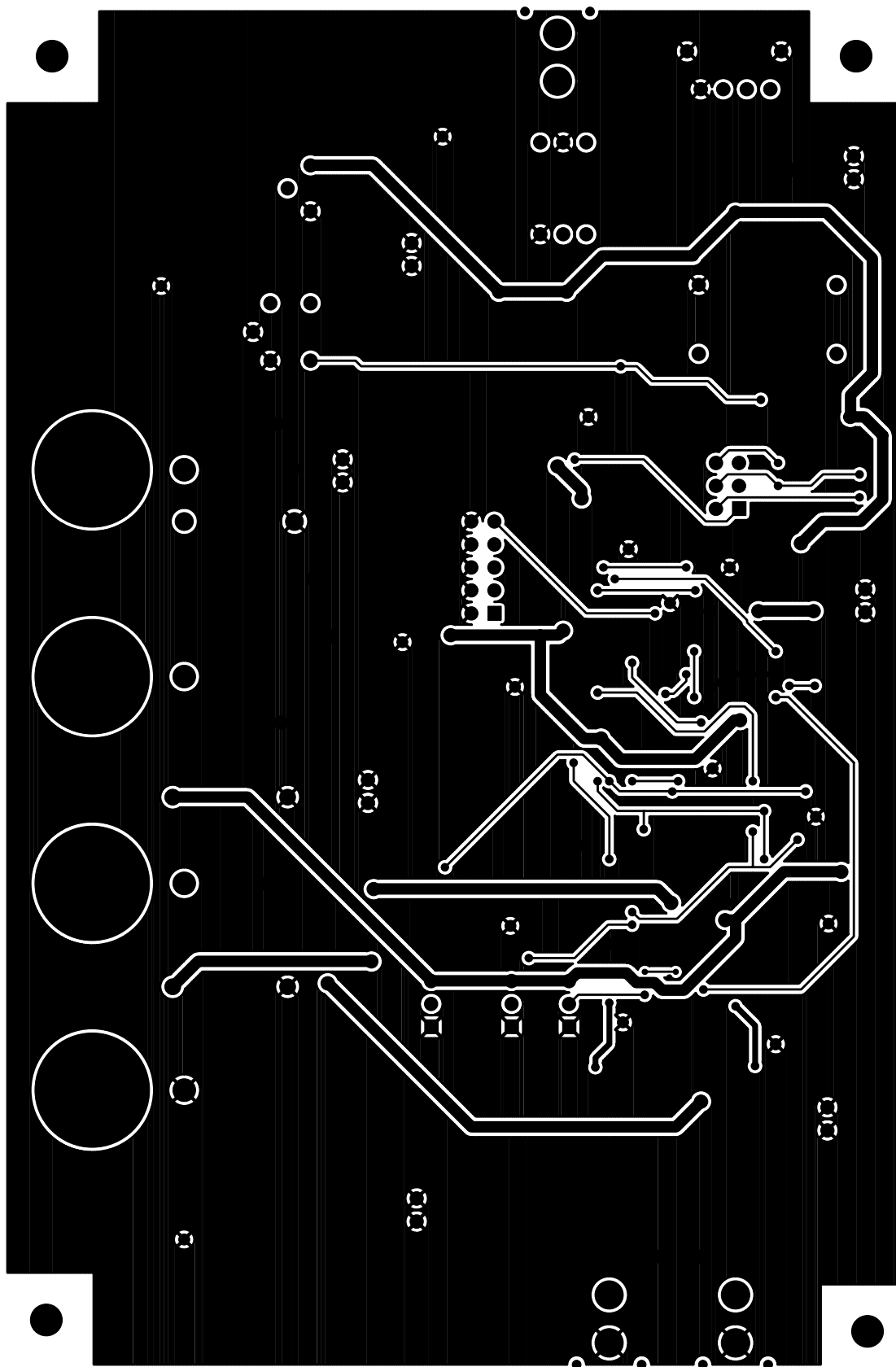


Figure 12. Bottom Layer

• **Notes** •

SMART
Analog™