

D240LC40

400V 240A

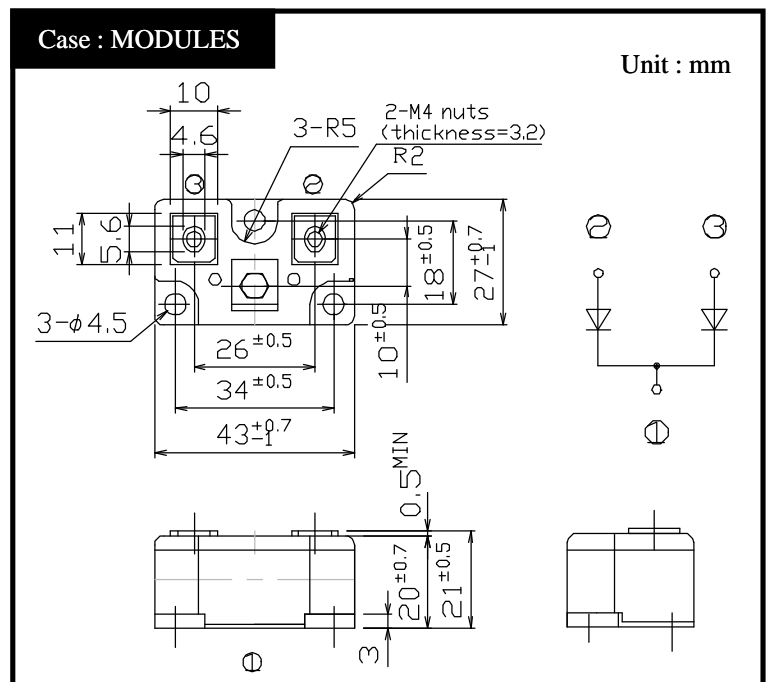
FEATURES

High current capacity
trr150ns
Small jc

APPLICATION

Semiconductor Production Equipment
Big Power Supply
Factory Automation, Robot

OUTLINE DIMENSIONS



RATINGS

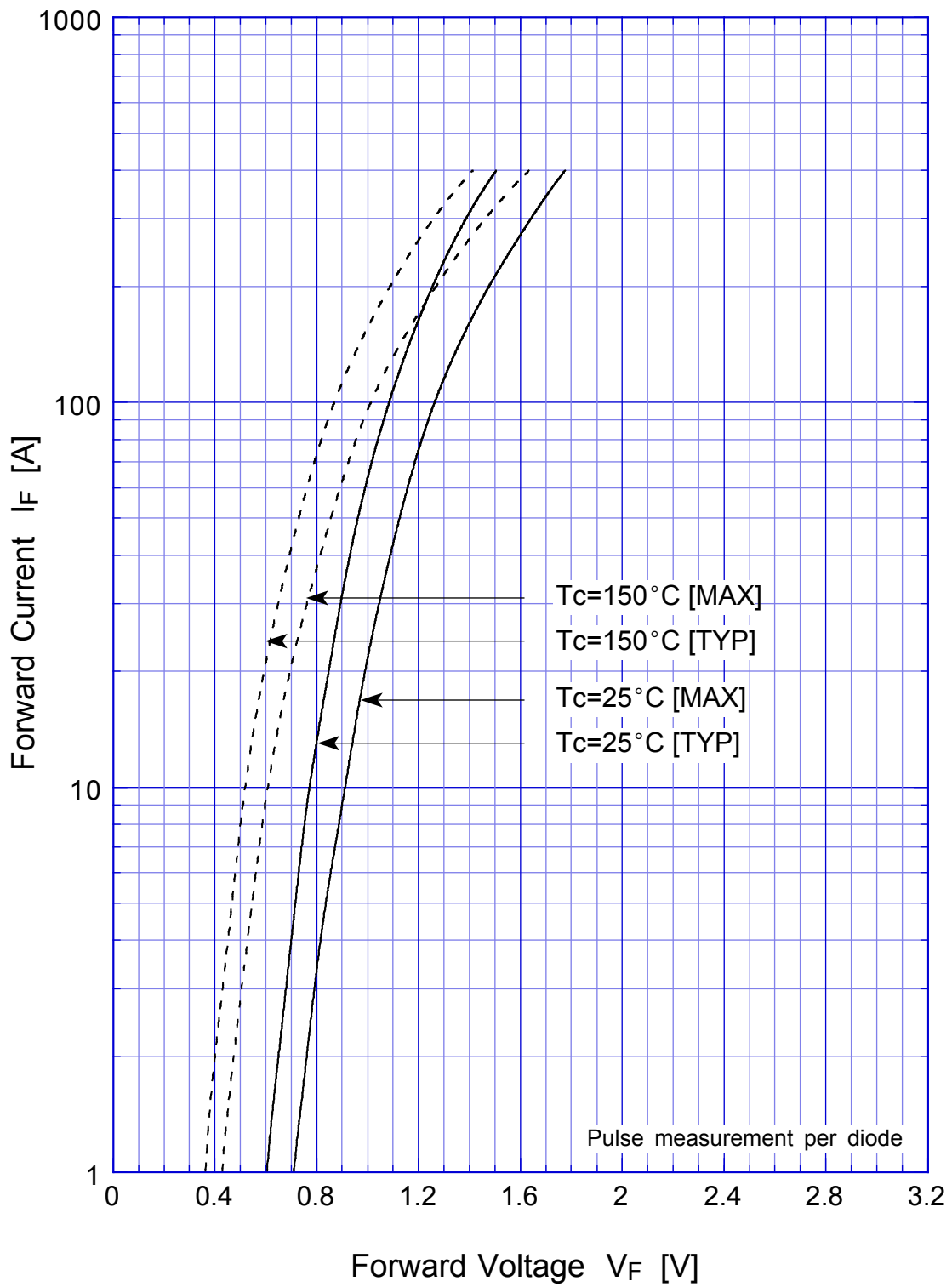
Absolute Maximum Ratings (If not specified Tc=25)

Item	Symbol	Conditions	Ratings	Unit
Storage Temperature	Tstg		-40 ~ 150	
Operating Junction Temperature	Tj		150	
Maximum Reverse Voltage	V _{RM}		400	V
Average Rectified Forward Current	I _O	50Hz sine wave, R-load, Rating for each arm I _o /2, Tc=77	240	A
Peak Surge Forward Current	I _{FSM}	50Hz sine wave, Non-repetitive 1 cycle peak value, Rating of per arm Tj=25	1400	A
Mounting Torque	TOR		1.7	N·m

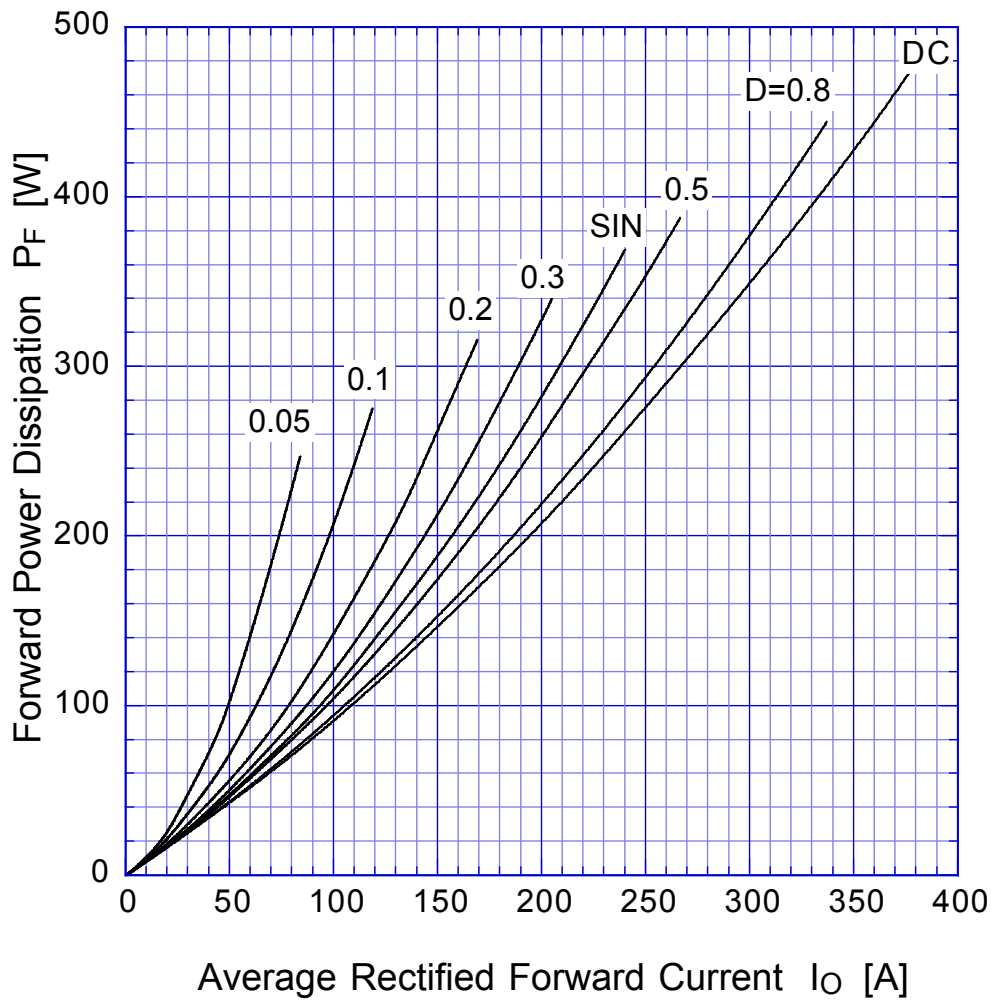
Electrical Characteristics (If not specified Tc=25)

Item	Symbol	Conditions	Ratings	Unit
Forward Voltage	V _F	I _F =120A, Pulse measurement, Rating of per arm	Max.1.3	V
Reverse Current	I _R	V _R =V _{RM} , Pulse measurement, Rating of per arm	Max.50	μA
Reverse Recovery Time	trr	I _F =0.5A, I _R =1A, Rating of per arm	Max.150	ns
Thermal Resistance	jc	junction to case	Max.0.2	/W

D240LC40 Forward Voltage



D240LC40 Forward Power Dissipation

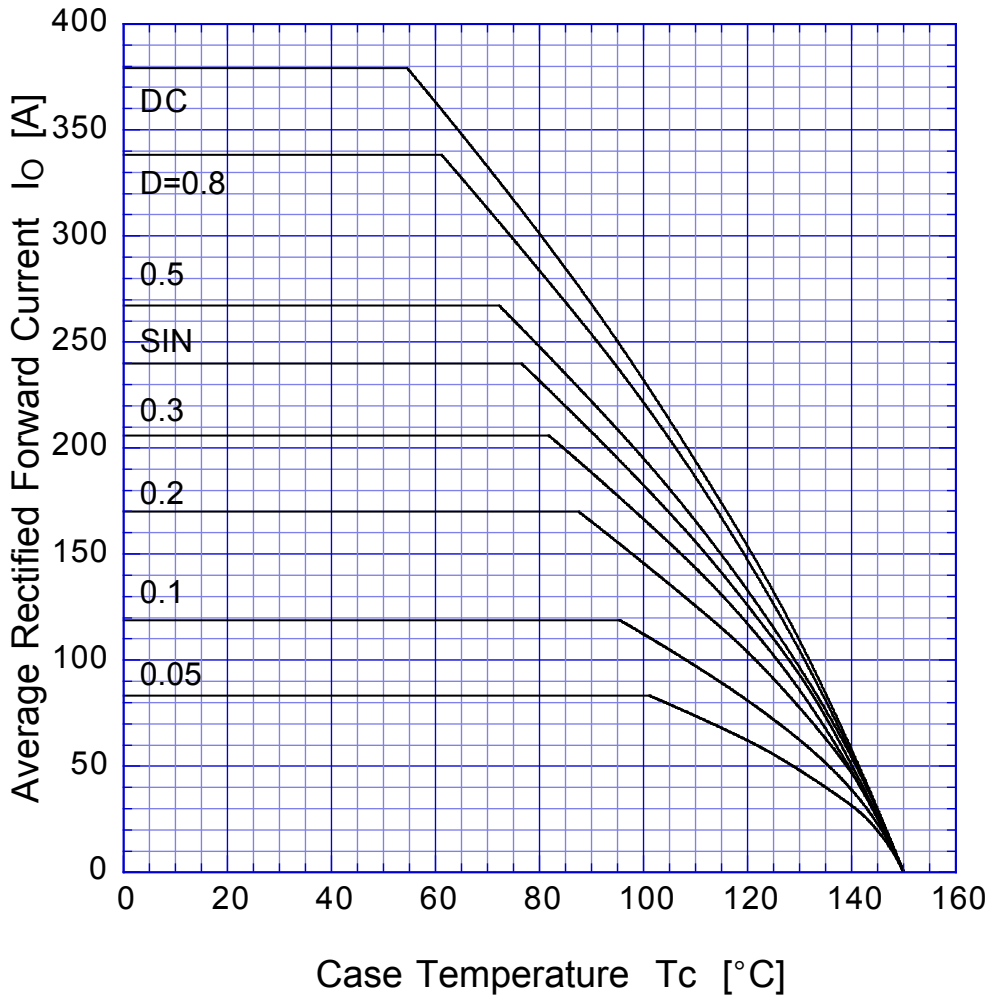


$T_j = T_{jmax}$

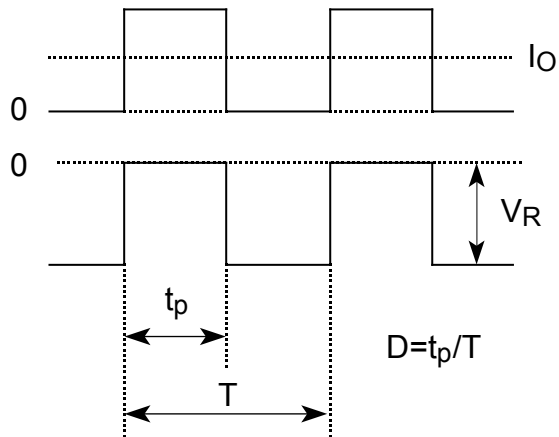


D240LC40

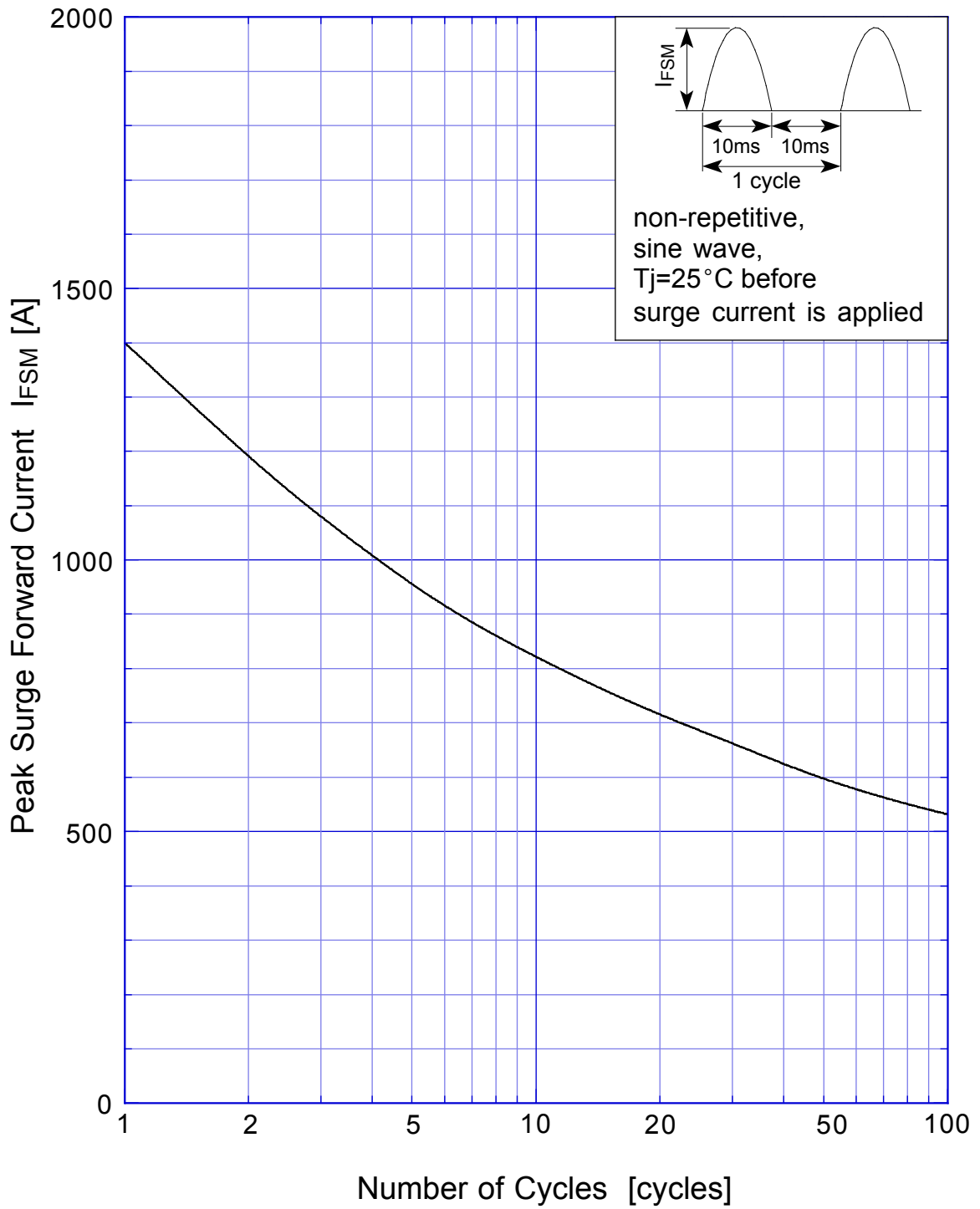
Derating Curve



$$V_R = V_{RM}$$



D240LC40 Peak Surge Forward Capability



D240LC40 Junction Capacitance

