

DATA SHEET

CX77107: PA Module for CDMA / PCS (1850–1910 MHz)

Applications

- Personal Communications Services (PCS)
- Wireless local loop (WLL)

Features

- Low voltage positive supply
 - 3.2 V to 4.2 V
- Good linearity
- High efficiency
- Large dynamic range
- 10-pin package
 - 4 mm x 4 mm x 1.5 mm
- Power down control
- Low power-state control
- InGaP
- IS95/CDMA2000
- Full U.S. PCS coverage

The CX77107 Power Amplifier Module (PAM) is a fully matched 10-pin surface mount module developed for Personal Communications Service (PCS) and Wireless Local Loop (WLL) applications. This small and efficient Power Amplifier packs full 1850–1910 MHz bandwidth coverage into a single compact package. The CX77107 meets the stringent spectral linearity requirements of Code Division Multiple Access (CDMA) PCS transmission, with high power added efficiency for power output of up to 28 dBm. A low current (VCONT) pin is provided to improve efficiency for the low RF power range of operation.

The single Gallium Arsenide (GaAs) Microwave Monolithic Integrated Circuit (MMIC) contains all active circuitry in the module. The MMIC contains on-board bias circuitry, as well as input and interstage matching circuits. The output match is realized off-chip within the module package to optimize efficiency and power performance into a 50 Ω load. This device is manufactured with Skyworks' GaAs Heterojunction Bipolar Transistor (HBT) process that provides for all positive voltage DC supply operation while maintaining high efficiency and good linearity. Primary bias to the CX77107 is supplied directly from a three-cell Ni-Cd, a single-cell Li-Ion, or other suitable battery with an output in the 3 to 4 volt range. Power down is accomplished by setting the voltage on the low current reference pin to zero volts. No external supply side switch is needed as typical "off" leakage is a few microamperes with full primary voltage supplied from the battery.

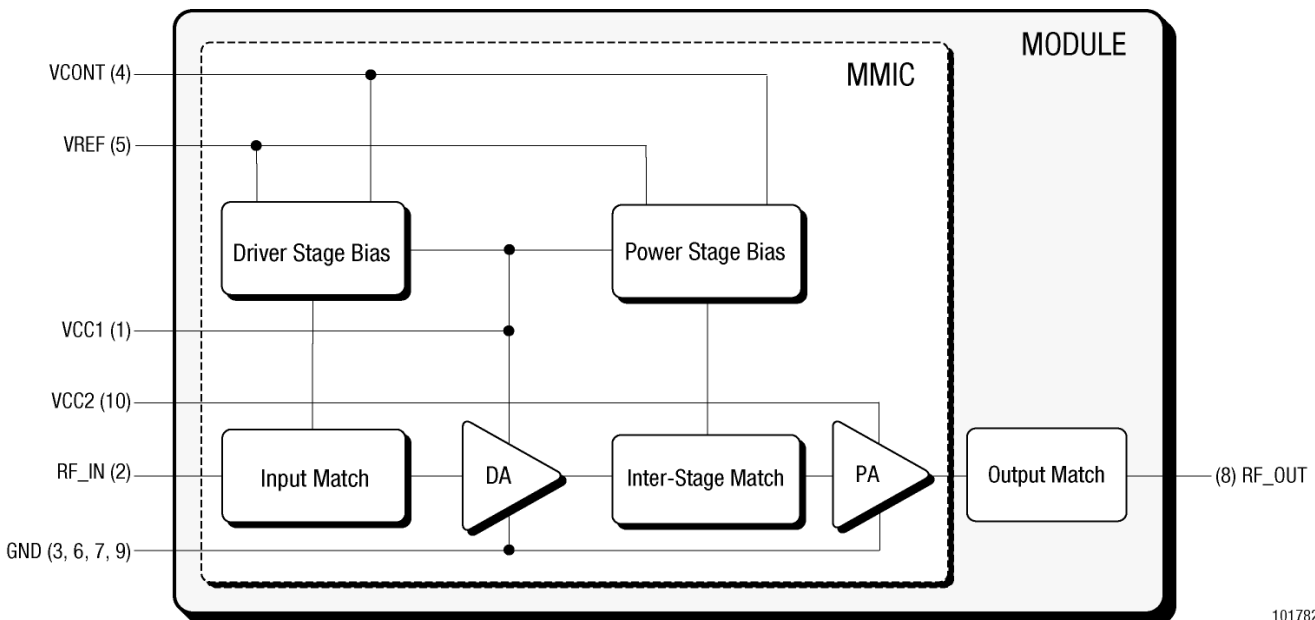


Figure 1. Functional Block Diagram

101782_001

Electrical Specifications

The following tables list the electrical characteristics of the CX77107 Power Amplifier. [Table 1](#) lists the absolute maximum ratings, while [Table 2](#) shows the recommended operating

conditions to achieve the performance characteristics listed in [Table 4](#). [Table 3](#) presents a truth table for the power ranges.

Table 1. Absolute Maximum Ratings ⁽¹⁾

Parameter	Symbol	Minimum	Nominal	Maximum	Unit
RF Input Power	P _{IN}	—	0.0	7.0	dBm
Supply Voltage	V _{CC}	—	3.4	6.0	Volts
Reference Voltage	V _{REF}	—	3.0	3.1	Volts
Case Operating Temperature	T _C	-30	25	+110	°C
Storage Temperature	T _{STG}	-55	—	+125	°C

⁽¹⁾No damage assuming only one parameter is set at limit at a time with all other parameters set at nominal value.

Table 2. Recommended Operating Conditions

Parameter	Symbol	Minimum	Nominal	Maximum	Unit	
Supply Voltage	V _{CC}	3.2	3.4	4.2	Volts	
Reference Voltage	V _{REF}	2.95	3.0	3.05	Volts	
Control voltage	Low Mode	V _{CONT}	2.5	—	3.0	Volts
	High Mode	V _{CONT}	0.0	—	0.5	Volts
Operating Frequency	F ₀	1850.0	1880.0	1910.0	MHz	
Case Operating Temperature	T _C	-30	+25	+85	°C	

Table 3. Power Range Truth Table

Power Mode	V _{REF}	V _{CONT}	Range
High Power	3.0 V	0.0 V–0.5 V	16 dBm–28 dBm
Low Power	3.0 V	2.5 V–3.0 V	≤ 16 dBm
Shut Down	0.0 V	0.0 V	—

Table 4. Electrical Specifications for CDMA Nominal Operating Conditions ⁽¹⁾

Characteristics	Symbol	Condition	Min.	Typical	Max.	Unit	
Gain conditions	Digital Mode	G _{LOW}	V _{CONT} ≥ 2.5 V P ₀ = 16 dBm	22.0	24.0	26.5	dB
		G _{HIGH}	V _{CONT} ≤ 0.5 V P ₀ = 28 dBm	26.5	28.0	30.0	
Power Added Efficiency	Digital Mode	PAE _{LOW}	V _{CONT} ≥ 2.5 V P ₀ = 16 dBm	7.5	9.0	—	%
		PAE _{HIGH}	V _{CONT} ≤ 0.5 V P ₀ = 28 dBm	37.0	39.0	—	
Total Supply current		I _{CC_LOW}	P ₀ = 16 dBm	—	125	150	mA
		I _{CC_HIGH}	P ₀ = 28 dBm	—	475	500	
Quiescent current		I _{Q_LOW}	V _{CONT} ≥ 2.5 V	—	50	—	mA
		I _{Q_HIGH}	V _{CONT} ≤ 0.5 V	—	90	—	
Reference Current		I _{REF}	—	—	6.0	—	mA
Control Current		I _{CTRL}	V _{CONT} = 2.5 V	—	140	—	μA
Total Supply current in Power-down Mode		I _{PD}	V _{CC} = 3.4V V _{REF} = 0 V	—	3.0	5.0	μA
Adjacent Channel Power ^{(2) (3)}	1.25 MHz offset	ACP _{1LOW}	V _{CONT} ≥ 2.5 V P ₀ ≤ 16 dBm	—	-48.0	-45.0	dBc
		ACP _{1HIGH}	V _{CONT} ≤ 0.5 V P ₀ ≤ 28 dBm	—	-50.0	-48.0	
	2.25 MHz offset	ACP _{3LOW}	V _{CONT} ≥ 2.5 V P ₀ ≤ 16 dBm	—	-73.0	-58.0	
		ACP _{3HIGH}	V _{CONT} ≤ 0.5 V P ₀ ≤ 28 dBm	—	-58.5	-56.5	
Harmonic Suppression	Second	F ₀₂	P ₀ ≤ 28 dBm	—	-40.0	-35.0	dBc
	Third	F ₀₃	P ₀ ≤ 28 dBm	—	-55.0	-40.0	
Noise Power in RX Band 1930-1990 MHz		R _{xBN}	P ₀ ≤ 28 dBm	—	-138.0	-137.0	dBm/Hz
Noise Figure		NF	—	—	4.0	5.0	dB
Input Voltage Standing Wave Ratio (VSWR)		VSWR	—	—	—	2.0:1	—
Stability (Spurious output)		S	5:1 VSWR All phases	—	—	-70.0	dBc
Ruggedness – No damage ⁽⁴⁾		R _u	P ₀ ≤ 28 dBm	10:1	—	—	VSWR

⁽¹⁾ V_{CC} = +3.4 V, V_{REF} = +3.0 V, Freq = 1880 MHz, T_C = 25 °C, unless otherwise specified

⁽²⁾ ACP is specified per IS95 as the ratio of the total in-band power (1.23 MHz BW) to adjacent power in a 30 kHz BW.

⁽³⁾ CDMA2000 is configured as DCCH = 9600, SCHO = 9600, PCH (Walsh 0) = -3.75 dB, and Peak-to-Average Ratio (CCDF = 1%) = 4.5 dB. For CDMA2000, 0.5 dB back-off in output power is required.

⁽⁴⁾ All phases, time = 10 seconds.

Table 5. Electrical Specifications for CDMA Recommended Operating Conditions ⁽¹⁾

Characteristics	Symbol	Condition	Minimum	Maximum	Unit	
Gain conditions Digital Mode	G _{LOW}	V _{CONT} ≥ 2.5 V P ₀ = 16 dBm	21.0	29.5	dB	
	G _{HIGH}	V _{CONT} ≤ 0.5 V P ₀ = 28 dBm	24.5	33.0		
Adjacent Channel Power ⁽²⁾ ⁽³⁾ ⁽⁴⁾	1.25 MHz offset	ACP1 _{LOW}	V _{CONT} ≥ 2.5 V P ₀ ≤ 16 dBm	—	–44	dBc
		ACP1 _{HIGH}	V _{CONT} ≤ 0.5 V P ₀ ≤ 28 dBm	—	–44	
	2.25 MHz offset	ACP3 _{LOW}	V _{CONT} ≥ 2.5 V P ₀ ≤ 16 dBm	—	–56	
		ACP3 _{HIGH}	V _{CONT} ≤ 0.5 V P ₀ ≤ 28 dBm	—	–56	
Harmonic Suppression	Second	F ₀₂	P ₀ ≤ 28 dBm	—	–30	dBc
	Third	F ₀₃	P ₀ ≤ 28 dBm	—	–40	
Noise Power in RX Band 1840-1895 MHz	RxBN	P ₀ ≤ 28 dBm	—	–136.0	dBm/Hz	
Noise Figure	NF	—	—	7.0	dB	
Input Voltage Standing Wave Ratio (VSWR)	VSWR	—	—	2.5:1	—	
Stability (Spurious output)	S	5:1 VSWR All phases	—	–70.0	dBc	
Ruggedness – No damage ⁽⁵⁾	Ru	P ₀ ≤ 28 dBm	10:1	—	VSWR	

⁽¹⁾ Per Table 2, unless otherwise specified.

⁽²⁾ ACP is specified per IS95 as the ratio of the total in-band power (1.23 MHz BW) to adjacent power in a 30 kHz BW.

⁽³⁾ CDMA2000 is configured as DCCH = 9600, SCHO = 9600, PCH (Walsh 0) = –3.75 dB, and Peak-to-Average Ratio (CCDF = 1%) = 4.5 dB. For CDMA2000, 0.5 dB back-off in output power is required.

⁽⁴⁾ Worst case ACPR is –43dBc at +85 °C, VCC = 3.2 V.

⁽⁵⁾ All phases, time = 10 seconds.

Characterization Data

The graphs from [Figure 2](#) through [Figure 10](#) illustrate the characteristics of a typical CX77107 power amplifier designed for operation in the PCS frequency band (1850–1910 MHz). This amplifier was selected by characterizing a group of devices and choosing a part with average electrical performance for both nominal and the full range of recommended operating conditions, including worst case limits.

The graphs illustrate the digital signal characteristics of the CX77107. Shown are power sweep characteristics for key performance parameters over temperature and frequency, up to 28.5 dBm output power. The data was taken up to and including 16 dBm output power with the bias mode control pin setting of $V_{CONT} = 2.5$ volts. Beyond 16 dBm output power, the V_{CONT} was set to 0 volts.

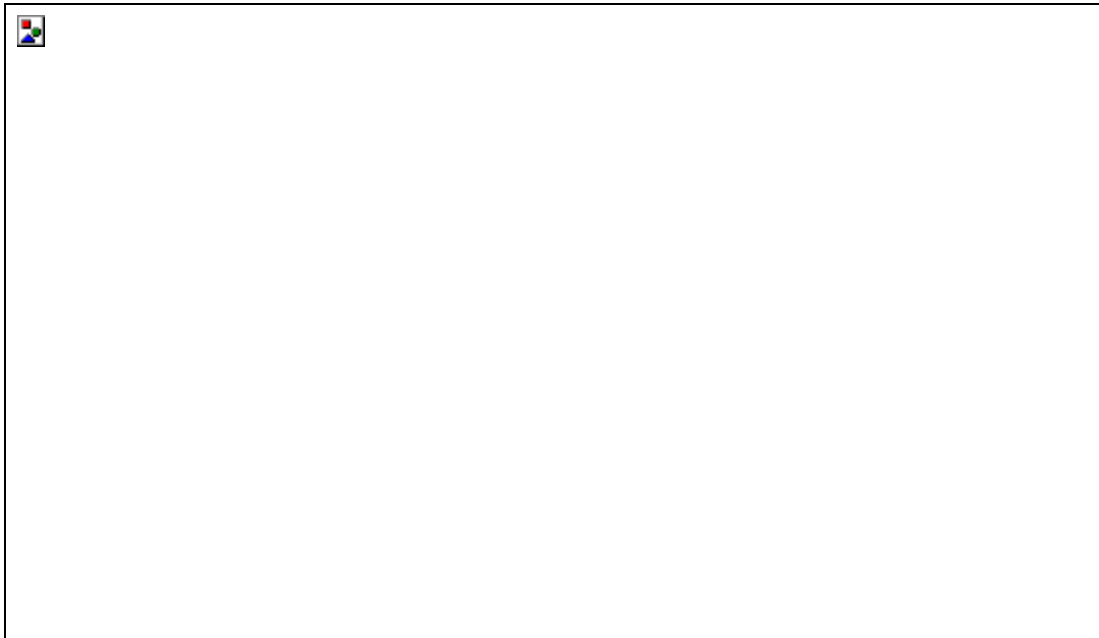
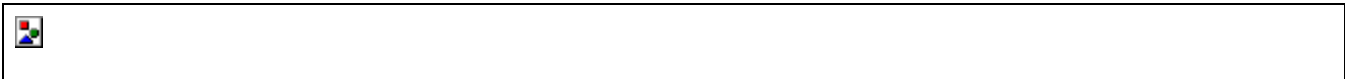


Figure 2. Digital Mode Gain vs. Output Power



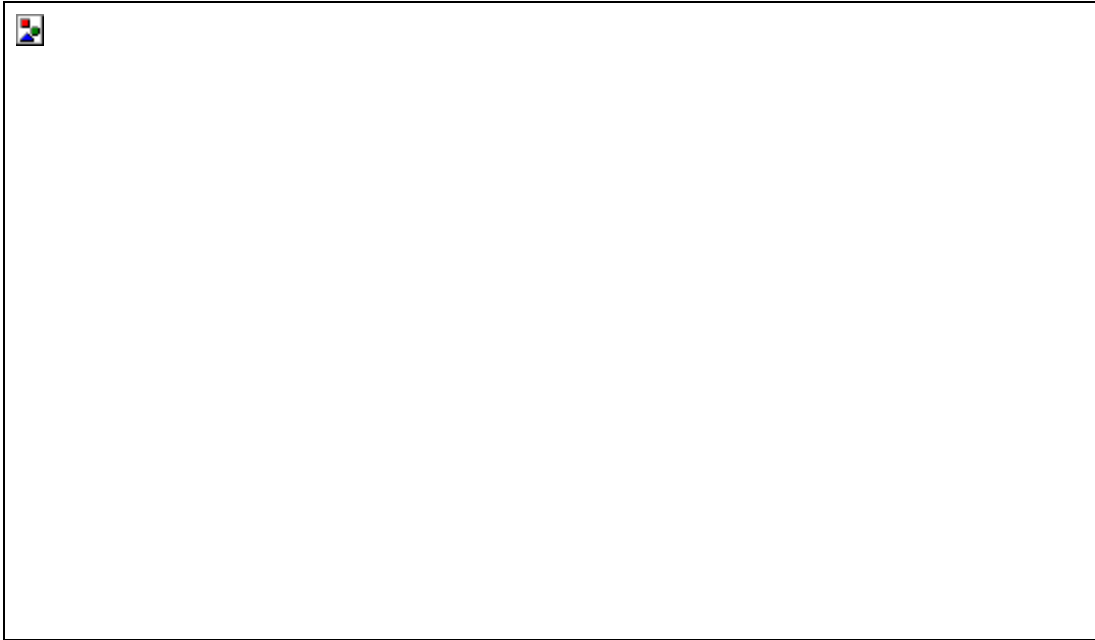


Figure 3. Primary Bias Current vs. Output Power

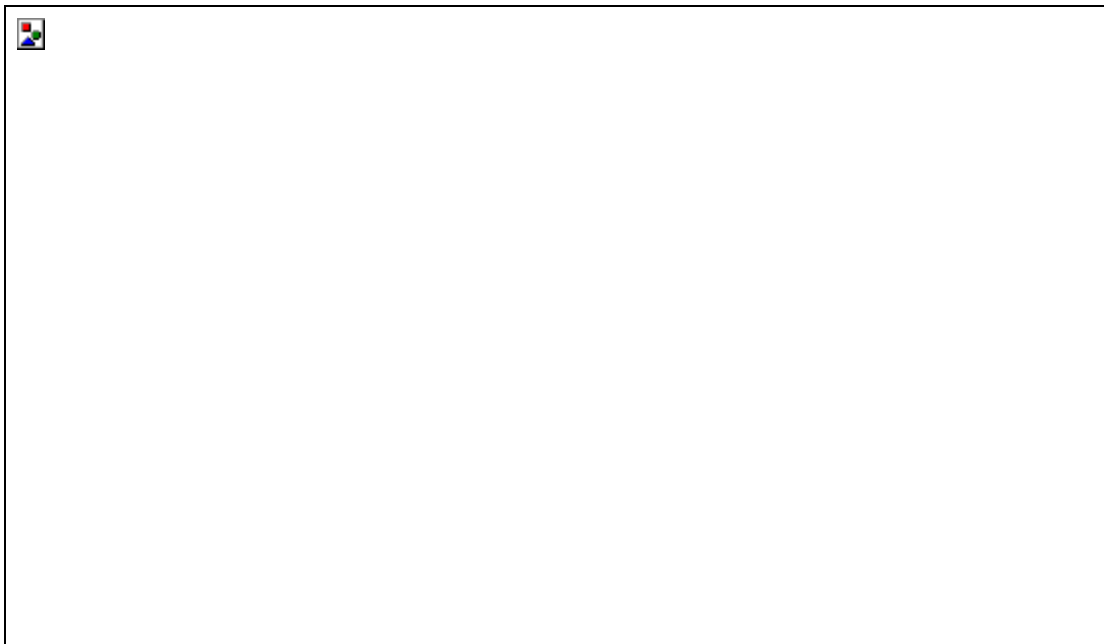


Figure 4. Power Added Efficiency vs. Output Power

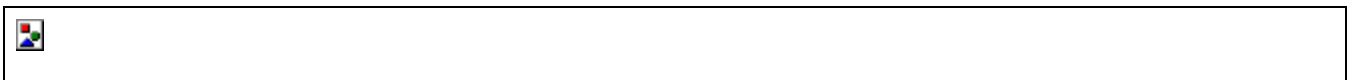




Figure 5. ACP for 1.25 MHz Offset vs. Output Power

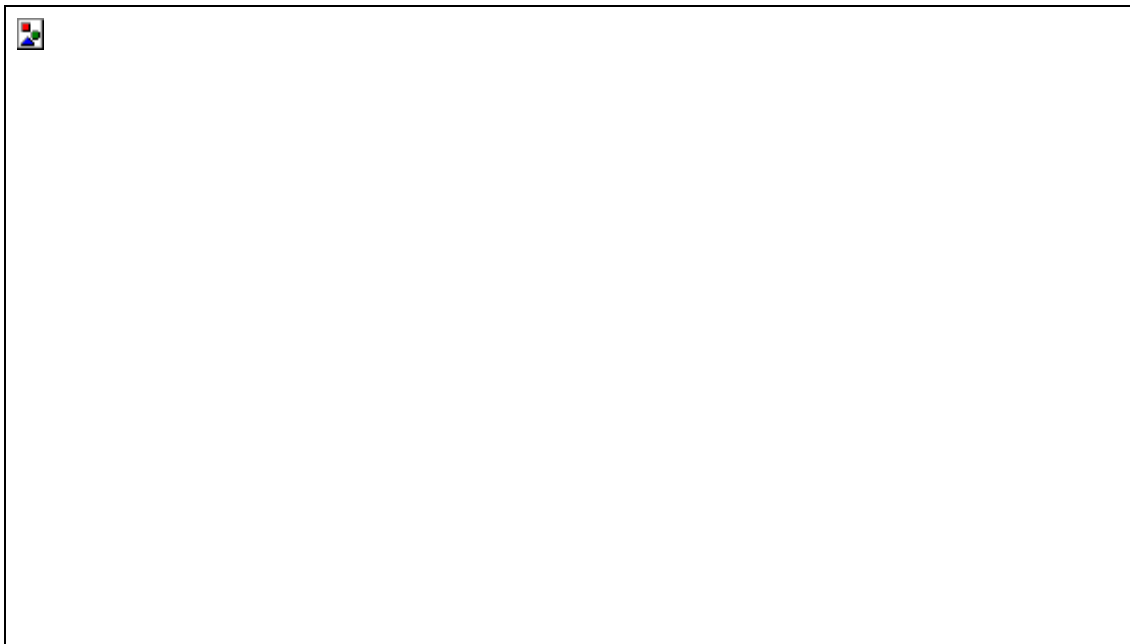
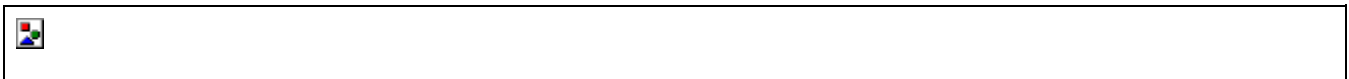


Figure 6. ACP for 2.25 MHz Offset vs. Output Power



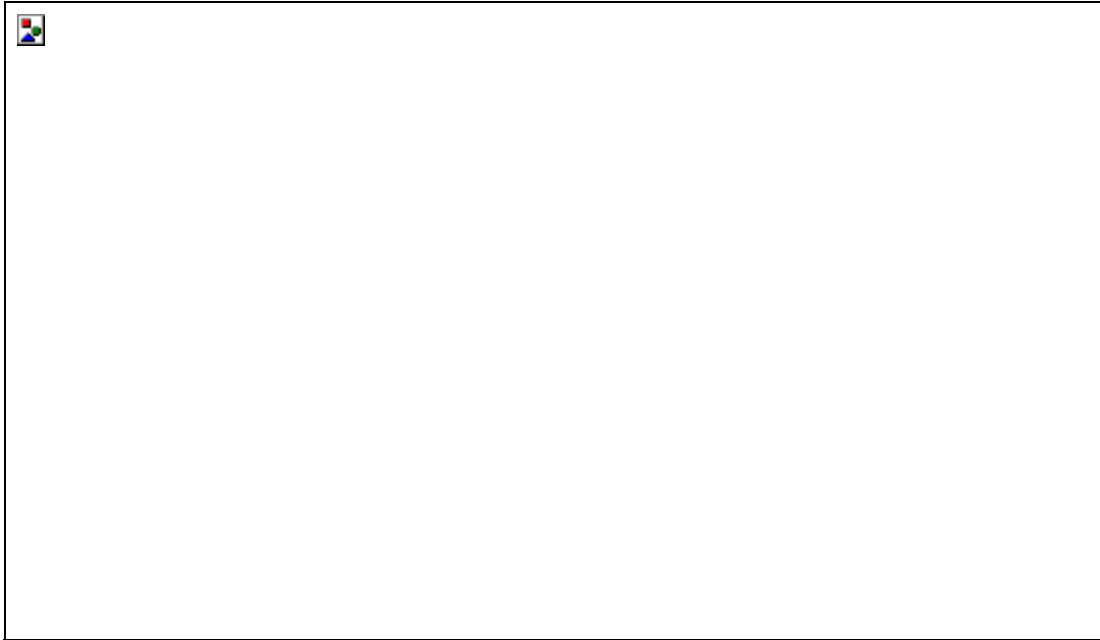


Figure 7. Second Harmonic Rejection vs. Output Power

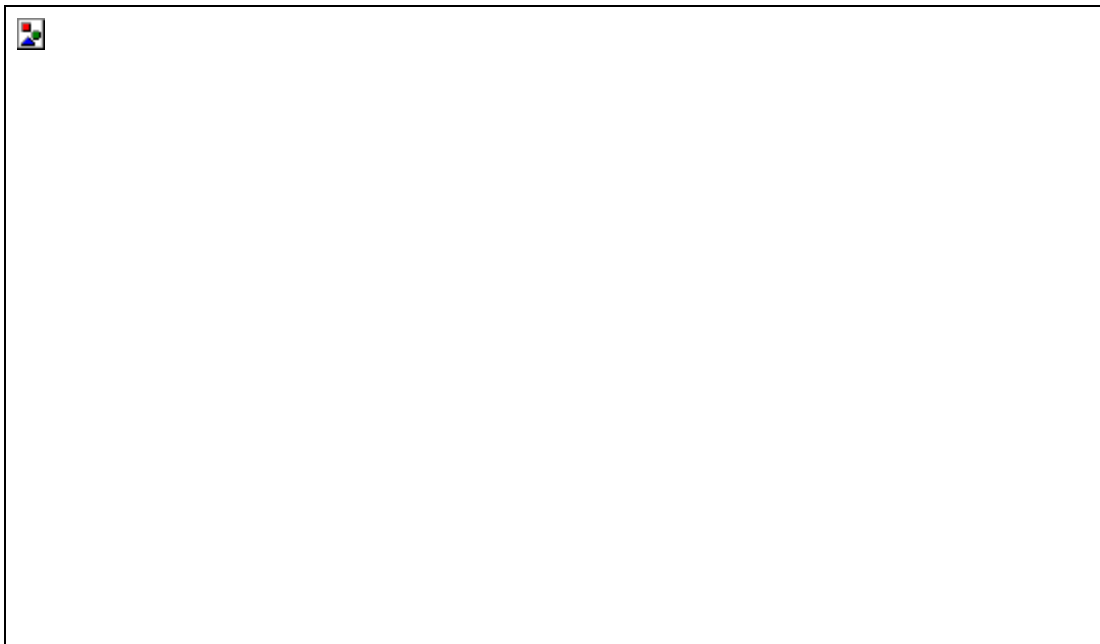


Figure 8. Third Harmonic Rejection vs. Output Power

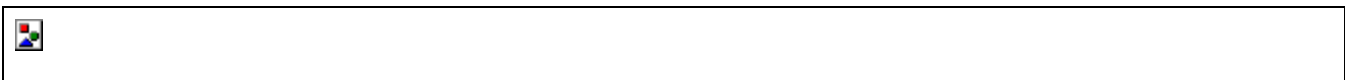




Figure 9. Noise Figure as Function of Operating Conditions

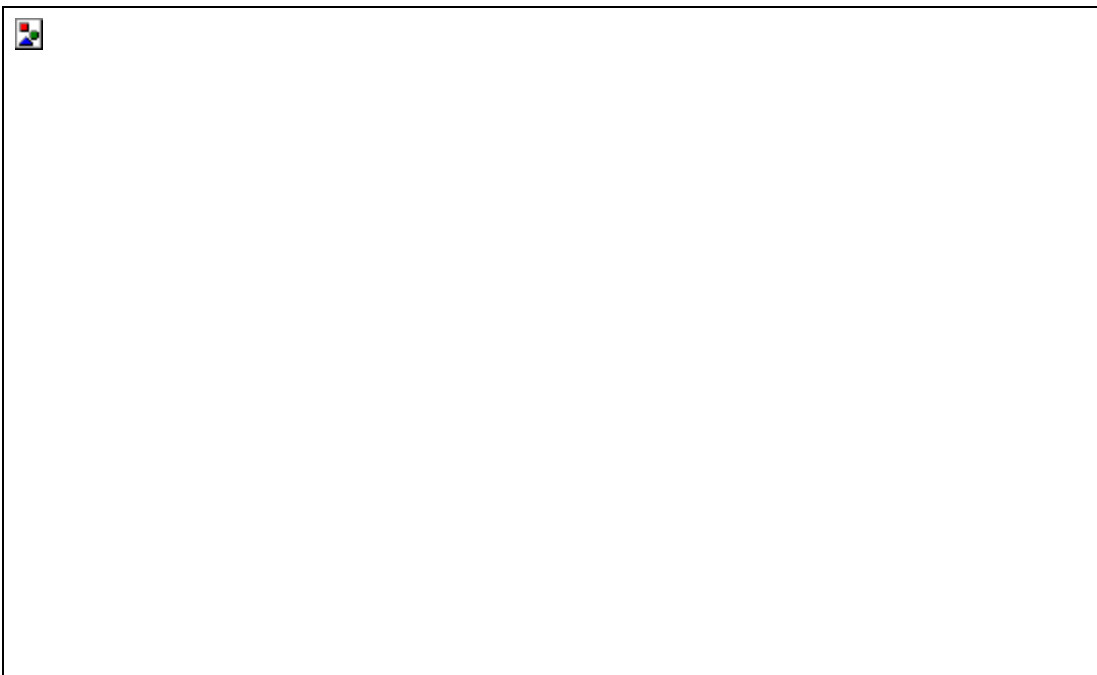
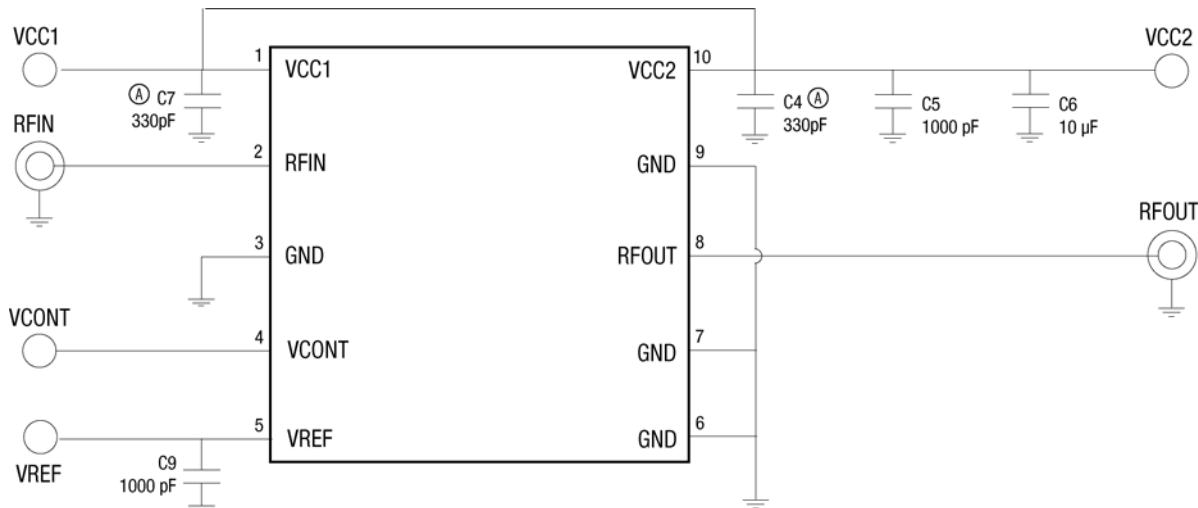


Figure 10. Input VSWR as Function of Operating Conditions

Evaluation Board Description

The evaluation board is a platform for testing and interfacing design circuitry. To accommodate the interface testing of the CX77107, the evaluation board schematic and diagrams are

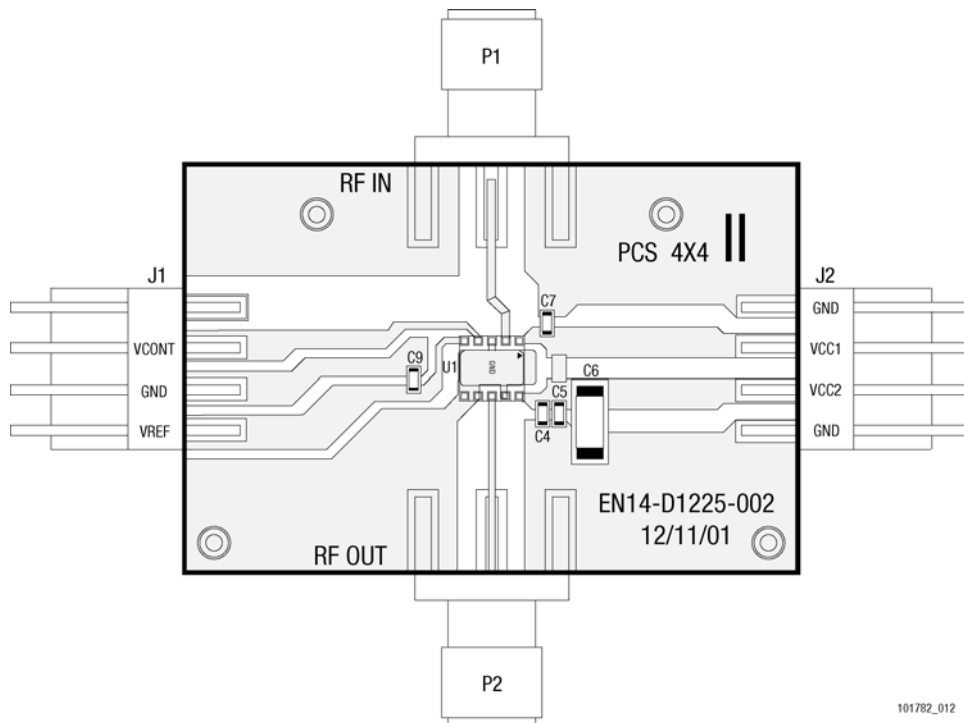
included for preliminary analysis and design. [Figure 11](#) is the basic schematic of the board for the 1850 MHz to 1910 MHz range and [Figure 12](#) is a diagram of the board assembly.



Ⓐ Place caps at closest proximity to PA module with the capacitor grounds directly connected to the PAM grounds.

101782_011

Figure 11. Evaluation Board Schematic



101782_012

Figure 12. Evaluation Board Assembly Diagram

Package Dimensions and Pin Descriptions

The CX77107 is a multi-layer laminate base, overmold encapsulated modular package designed for surface mount solder attachment to a printed circuit board. Figure 13 is a mechanical drawing of the pad layout for this package and Figure 14

illustrates typical case markings. The pin numbering convention, as shown in Figure 15, starts with pin 1 in the upper left and increments counter-clockwise around the package. Table 6 lists each pin function and description.

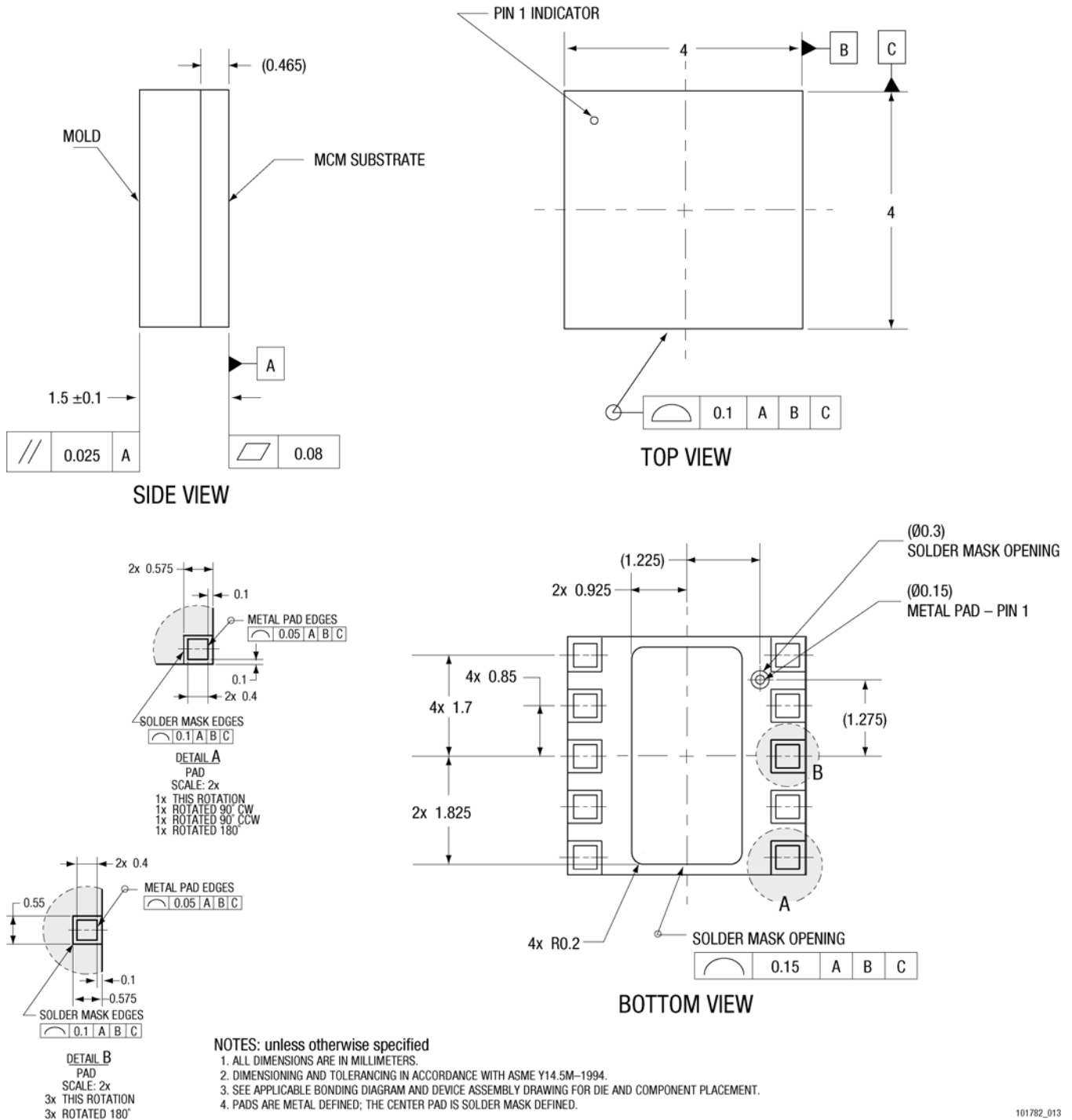


Figure 13. CX77107 Package Drawing

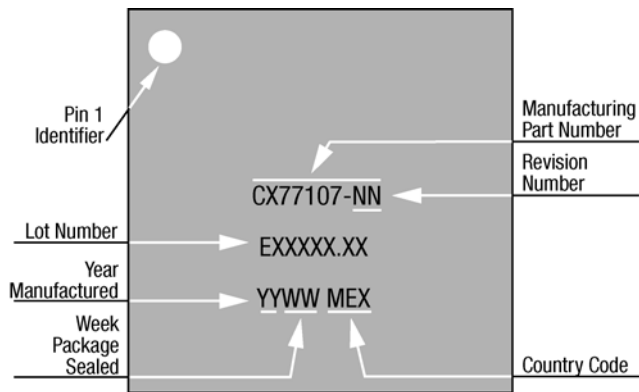


Figure 14 Typical Case Markings (Top View)

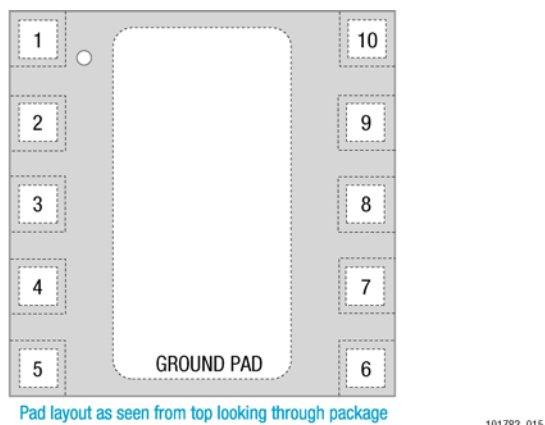


Figure 15. Pin Configuration (Top View)

Table 6. Pin Names and Descriptions

PIN Number	Function	Description
1	VCC1 ⁽¹⁾	Connect to battery or DC supply
2	RF IN	RF Input
3	GND	Ground
4	VCONT	Control voltage
5	VREF	Reference voltage
6	GND	Ground
7	GND	Ground
8	RF OUT	RF Output
9	GND	Ground
10	VCC2 ⁽¹⁾	Connect to battery or DC supply
GND PAD	GND	Ground pad on underside of package

⁽¹⁾ All supply pins may be connected together at the supply.

Package and Handling Information

Because of its sensitivity to moisture absorption, this device package is baked and vacuum-packed prior to shipment. Instructions on the shipping container label must be followed regarding exposure to moisture after the container seal is broken, otherwise, problems related to moisture absorption may occur when the part is subjected to high temperature during solder assembly.

The CX77107 is capable of withstanding an MSL 3/240 °C solder reflow. Care must be taken when attaching this product, whether it is done manually or in a production solder reflow environment. If the part is attached in a reflow oven, the temperature ramp rate should not exceed 5 °C per second; maximum temperature should not exceed 240 °C. If the part is manually attached, precaution should be taken to insure that the part is not subjected to temperatures exceeding 240 °C for more than 10 seconds. For details on both attachment techniques, precautions, and handling procedures recommended by Skyworks, please refer to *Skyworks Application Note: PCB Design and SMT Assembly/Rework, Document Number 101752*. Additional information on standard SMT reflow profiles can also be found in the *JEDEC Standard J-STD-020B*.

Production quantities of this product are shipped in the standard tape-and-reel format. For packaging details, refer to *Skyworks Application Note: Tape and Reel Information—RF Modules, Document Number 101568*.

Electrostatic Discharge Sensitivity

The CX77107 is a Class I device. lists the Electrostatic Discharge (ESD) immunity level for each pin of the CX77107 product. The numbers in specify the ESD threshold level for each non-ground pin where the I-V curve between the pin and ground starts to show degradation.

The ESD testing was performed in compliance with MIL-STD-883E Method 3015.7 using the Human Body Model. If ESD damage threshold magnitude is found to consistently exceed 2000 volts on a given pin, this so is indicated. If ESD damage threshold below 2000 volts is measured for either polarity, numbers are indicated that represent worst case values observed in product characterization.

Various failure criteria can be utilized when performing ESD testing. Many vendors employ relaxed ESD failure standards, which fail devices only after “the pin fails the electrical specification limits” or “the pin becomes completely non-functional”. Skyworks employs most stringent criteria; fails devices as soon as the pin begins to show any degradation on a curve tracer. To avoid ESD damage, both latent and visible, it is very important that the product assembly and test areas follow the Class-1 ESD handling precautions listed in [Table 7](#).

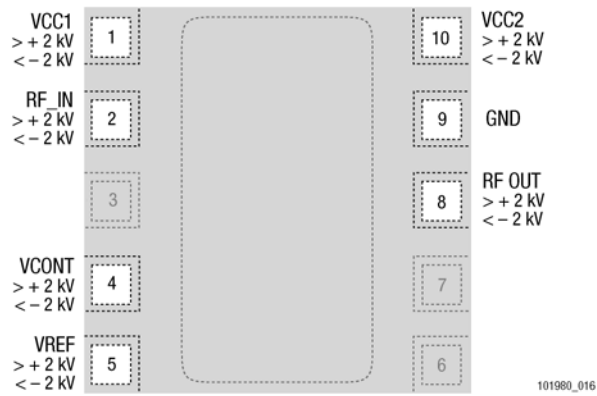


Figure 16. ESD Sensitivity Areas (Top View)

Table 7. Practices to Avoid Induced Damage –GaAs IC Products

Personnel Grounding	Wrist Straps Conductive Smocks, Gloves and Finger Cots Antistatic ID Badges
Facility	Relative Humidity Control and Air Ionizers Dissipative Floors (less than 10 ⁹ Ω to GND)
Protective Workstation	Dissipative Table Tops Protective Test Equipment (Properly Grounded) Grounded Tip Soldering Irons Conductive Solder Suckers Static Sensors
Protective Packaging and Transportation	Bags and Pouches (Faraday Shield) Protective Tote Boxes (Conductive Static Shielding) Protective Trays Grounded Carts Protective Work Order Holders

Ordering Information

Model Number	Manufacturing Part Number	Product Revision	Package	Operating Temperature
CX77107	CX77107-14P	-14P	4x4LM-10	-30 °C to +85 °C

Revision History

Revision	Level	Date	Description
A		July 3, 2003	Initial Release
B		April 29, 2004	Revise: Table 4
C		September 27, 2004	Add: Product Revision
D		December 8, 2004	Revise: Figure 11

References

Application Note: PCB Design and SMT Assembly/Rework, Document Number 101752.

Application Note: Tape and Reel Information—RF Modules, Document Number 101568

Standard SMT Reflow Profiles: JEDEC Standard J-STD-020

© 2001–2003, Skyworks Solutions, Inc. All Rights Reserved.

Information in this document is provided in connection with Skyworks Solutions, Inc. ("Skyworks") products. These materials are provided by Skyworks as a service to its customers and may be used for informational purposes only. Skyworks assumes no responsibility for errors or omissions in these materials. Skyworks may make changes to its products, specifications and product descriptions at any time, without notice. Skyworks makes no commitment to update the information and shall have no responsibility whatsoever for conflicts, incompatibilities, or other difficulties arising from future changes to its products and product descriptions.

No license, express or implied, by estoppel or otherwise, to any intellectual property rights is granted by this document. Except as may be provided in Skyworks' Terms and Conditions of Sale for such products, Skyworks assumes no liability whatsoever.

THESE MATERIALS ARE PROVIDED "AS IS" WITHOUT WARRANTY OF ANY KIND, EITHER EXPRESS OR IMPLIED, RELATING TO SALE AND/OR USE OF SKYWORKS™ PRODUCTS INCLUDING WARRANTIES RELATING TO FITNESS FOR A PARTICULAR PURPOSE, MERCHANTABILITY, PERFORMANCE, QUALITY OR NON-INFRINGEMENT OF ANY PATENT, COPYRIGHT OR OTHER INTELLECTUAL PROPERTY RIGHT. SKYWORKS FURTHER DOES NOT WARRANT THE ACCURACY OR COMPLETENESS OF THE INFORMATION, TEXT, GRAPHICS OR OTHER ITEMS CONTAINED WITHIN THESE MATERIALS. SKYWORKS SHALL NOT BE LIABLE FOR ANY SPECIAL, INDIRECT, INCIDENTAL, OR CONSEQUENTIAL DAMAGES, INCLUDING WITHOUT LIMITATION, LOST REVENUES OR LOST PROFITS THAT MAY RESULT FROM THE USE OF THESE MATERIALS.

Skyworks™ products are not intended for use in medical, lifesaving or life-sustaining applications. Skyworks' customers using or selling Skyworks™ products for use in such applications do so at their own risk and agree to fully indemnify Skyworks for any damages resulting from such improper use or sale.

The following are trademarks of Skyworks Solutions, Inc.: Skyworks™, the Skyworks symbol, and "Breakthrough Simplicity"™. Product names or services listed in this publication are for identification purposes only, and may be trademarks of third parties. Third-party brands and names are the property of their respective owners.

Additional information, posted at www.skyworksinc.com, is incorporated by reference.