

Ethernet DC/DC Converter EPC1012P & EPC1012H

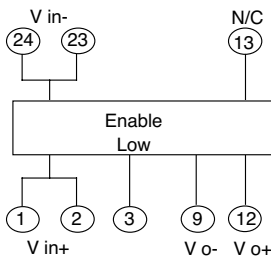
- Features**
- 70 % Typical efficiency at full load†
 - Enable Active : Low
 - Regulated Output
 - Input / Output Isolation
 - Input filter to reduce input ripple current
 - Designed for low common mode noise

Electrical Specifications

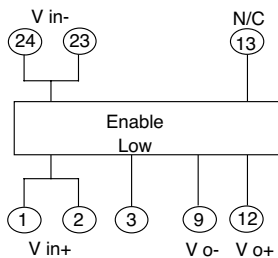
Notes : *Package with G = Surface Mount Device †@ nominal input voltage

| PCA P/N | Standard Package | Optional Packages | Input Voltage V | Output Voltage V | Output Current mA Max. | Output Ripple & Noise @ 20 MHz BW mV p-p | Isolation Vrms |
|----------|------------------|-------------------|-----------------|------------------|------------------------|--|----------------|
| EPC1012P | E6 | E6-G*,E7,E8 | 12 ± 10% | 9 ± 5% | 200 Max. | 100 Max. | 500 |
| EPC1012H | E6 | E6-G*,E8 | 12 ± 10% | 9 ± 5% | 200 Max. | 100 Max. | 2000 |

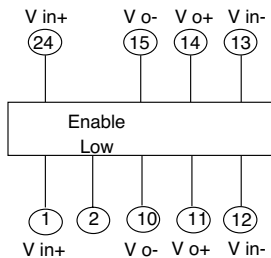
Pin Connections for E6



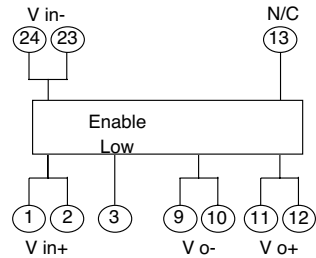
Pin Connections for E6-G



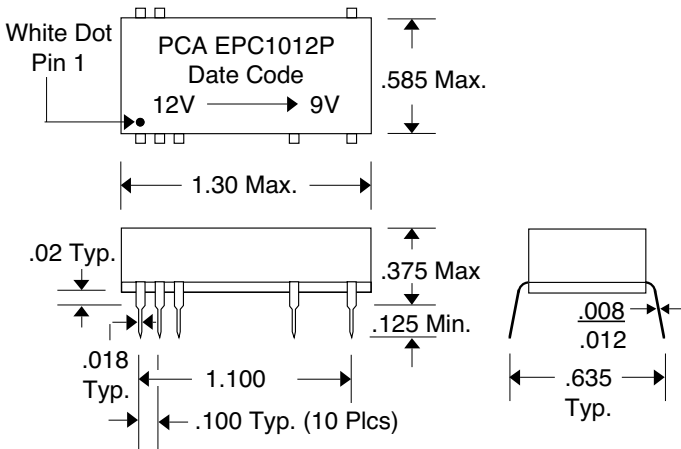
Pin Connections for E7



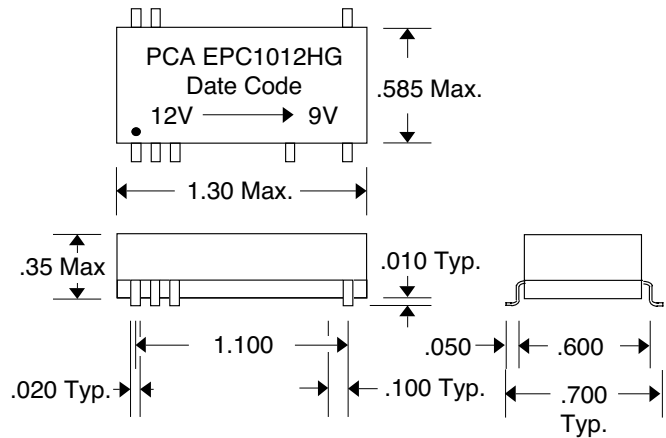
Pin Connections for E8



PACKAGE E6

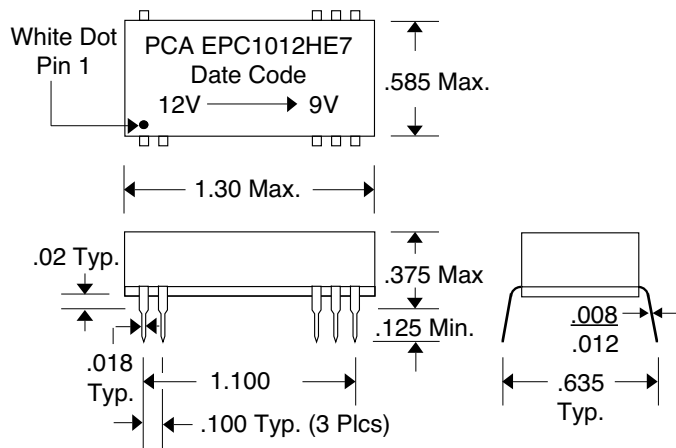


PACKAGE E6-G

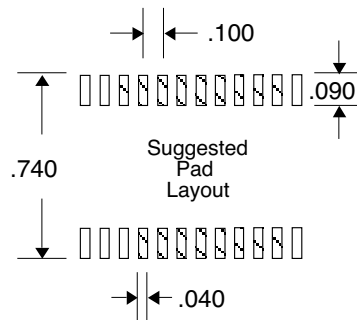


PACKAGE E7

Optional SMD Package Available



PAD LAYOUT



www.DataSheet4U.com

DSC1012 Rev 1 4/8/99

Unless Otherwise Noted Dimensions in Inches

Tolerances:

www.DataSheet4U.com 1/32

.XX = ± .030 .XXX = ± .010



16799 SCHOENBORN ST.
NORTH HILLS, CA 91343
TEL: (818) 892-0761
FAX: (818) 894-5791