

# MICRO

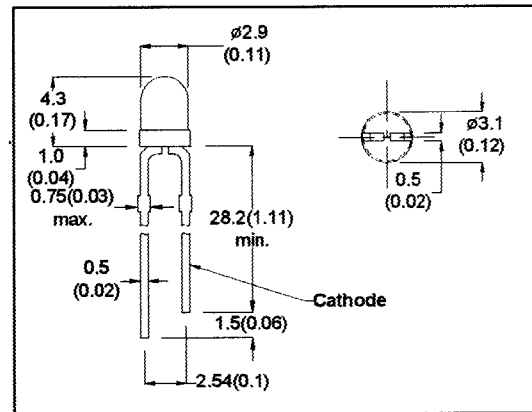
MOB36CA  
 MOB36CRA  
 MSB36C  
 MYB36CA

ULTRA HIGH BRIGHTNESS  
 GREEN LED LAMP

## DESCRIPTION

This series of solid state indicators are 3mm diameter low profile lamps.

- MGB36CA is green LED with a green transparent lens.
- MOB36CA is orange LED with an orange transparent lens.
- MOB36CRA is orange LED with a red transparent lens.
- MSB36C is red LED with a red transparent lens.
- MYB36CA is yellow LED with a yellow transparent lens.



All Dimension in mm (inch)

No Scale

Tol: +/- 0.3mm

## ABSOLUTE MAXIMUM RATINGS

- Power Dissipation @ Ta=25
- Forward Current, DC (IF)
- Reverse Voltage
- Operating & Storage Temperature Range
- Lead Soldering Temperature (1/16" from body)

### MSB36C

45mW  
 15mA  
 5V

### MYB36CA

60mW  
 20mA  
 5V  
 -50 to +100  
 260 for 5 sec.

### MGB36CA

### MOB36CA

### MOB36CRA

90mW  
 30mA  
 5V

## ELECTRO-OPTICAL CHARACTERISTICS (Ta=25 )

PARAMETER	SYMBOL	MGB36CA	MOB36CA	MOB36CR	MSB34C	MYB36CA	UNIT	CONDITIONS
Forward Voltage	MAX VF	3.0	3.0	3.0	3.0	3.0	V	IF=20mA
Reverse Breakdown Voltage	MIN BVR	5	5	5	5	5	V	IR=100 A
Luminous Intensity	MIN IV	70	50	50	4.0*	40	mcd	IF=20mA
	TYP	120	70	70	6.0*	60	mcd	
Peak Wavelength	TYP λp	570	630	640	700	585	nm	IF=20mA
Spectral Line Half Width	TYP Δλ	30	40	40	100	35	nm	IF=20mA
Viewing Angle	TYP 2θ 1/2	44	44	44	44	44	degree	IF=20mA

\*IF=10mA

Rev A



MICRO ELECTRONICS LTD.  
 38, Hung To Road, Microtron Building, Kwun Tong, Kowloon, Hong Kong.  
 Kwun Tong P.O. Box 69477 Hong Kong. Fax No. 2341 0321 Telex:43510 Micro Hx. Tel: 2343 0181-5

Aug-99