

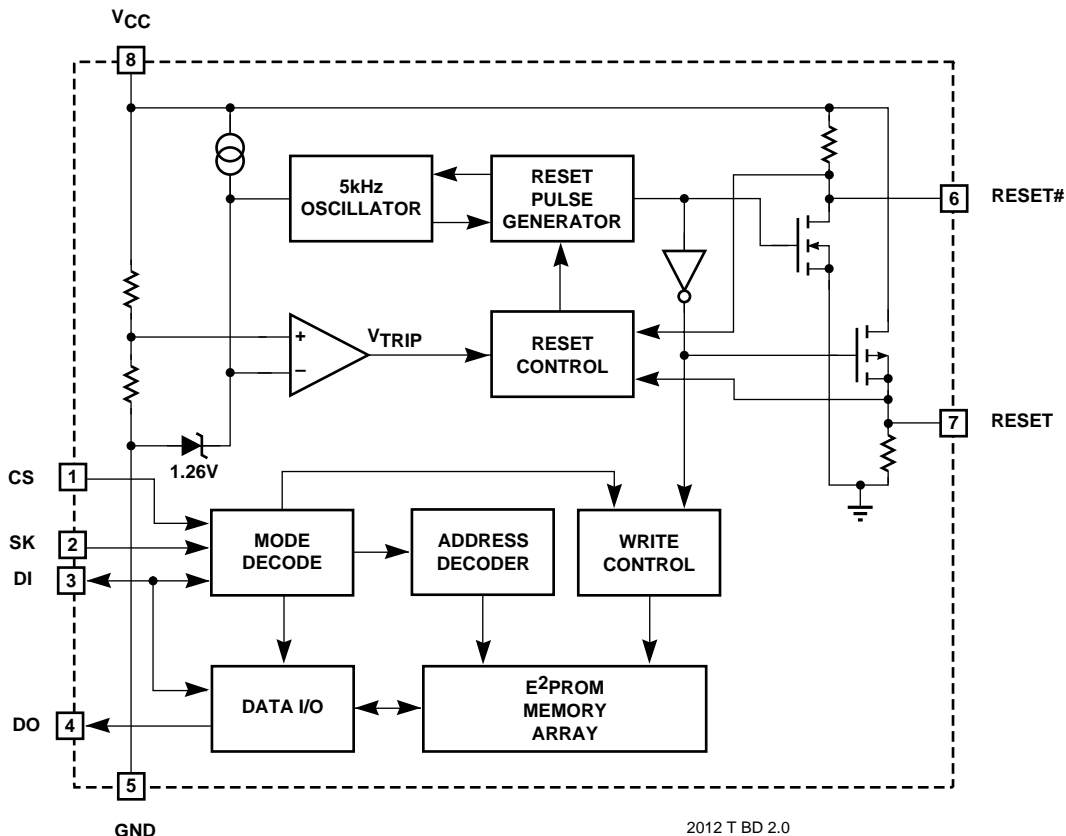
**Precision Supply-Voltage Monitor and Reset Controller**
**FEATURES**

- **Precision Monitor & RESET Controller**
  - RESET and RESET# Outputs
  - Guaranteed RESET Assertion to  $V_{CC} = 1V$
  - 200ms Reset Pulse Width
  - Internal 1.26V Reference with  $\pm 1\%$  Accuracy
  - ZERO External Components Required
- **Memory**
  - **4K-bit Microwire Memory**
  - **S93662**
    - Internally Ties ORG Low
    - 100% Compatible With all 8-bit Implementations
    - Sixteen Byte Page Write Capability
  - **S93663**
    - Internally Ties ORG High
    - 100% Compatible With all 16-bit Implementations
    - Eight Word Page Write Capability

**OVERVIEW**

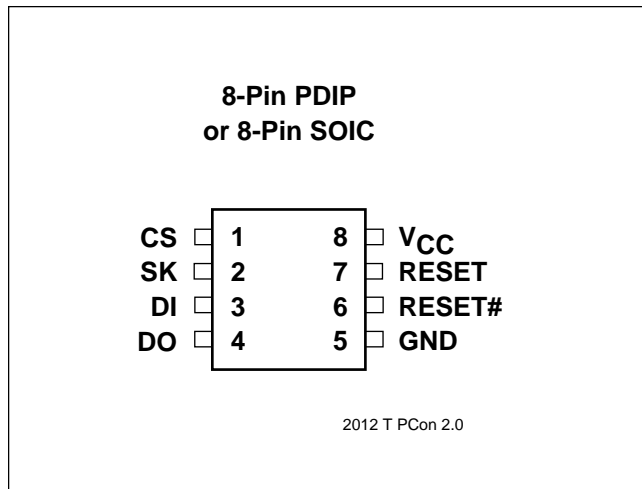
The S93662 and S93663 are precision power supervisory circuits providing both active high and active low reset outputs.

Both devices have 4k-bits of E<sup>2</sup>PROM memory that is accessible via the industry standard microwire bus. The S93662 is configured with an internal ORG pin tied low providing a 8-bit byte organization and the S93663 is configured with an internal ORG pin tied high providing a 16-bit word organization. Both the S93662 and S93663 have page write capability. The devices are designed for a minimum 100,000 program/erase cycles and have data retention in excess of 100 years.

**BLOCK DIAGRAM**




## PIN CONFIGURATION



## PIN FUNCTIONS

Pin Name	Function
CS	Chip Select
SK	Clock Input
DI	Serial Data Input
DO	Serial Data Output
V <sub>CC</sub>	+2.7 to 6.0V Power Supply
GND	Ground
RESET/RESET#	RESET I/O

## DEVICE OPERATION

### APPLICATIONS

The S93662/663 is ideal for applications requiring low voltage and low power consumption. This device provides microcontroller RESET control and can be manually resettable.

### RESET CONTROLLER DESCRIPTION

The S93662/663 provides a precision reset controller that ensures correct system operation during brownout and power-up/-down conditions. It is configured with two open drain reset outputs; pin 7 is an active high output and pin 6 is an active low output.

During power-up, the reset outputs remain active until V<sub>CC</sub> reaches the V<sub>TRIP</sub> threshold. The outputs will continue to be driven for approximately 200ms after reach-

ing V<sub>TRIP</sub>. The reset outputs will be valid so long as V<sub>CC</sub> is ≥1.0V. During power-down, the reset outputs will begin driving active when V<sub>CC</sub> falls below V<sub>TRIP</sub>.

The reset pins are I/Os; therefore, the S93662/663 can act as a stabilization circuit for an externally applied reset. The inputs are edge triggered; that is, the RESET input will initiate a reset time-out after detecting a low to high transition and the RESET# input will initiate a reset time-out after detecting a high to low transition. Refer to the applications Information section for more details on device operation as a debounce/reset extender circuit.

It should be noted the reset outputs are open drain. When used as outputs driving a circuit they need to be either tied high (RESET#) or tied to ground (RESET) through the use of pull-up or pull-down resistors. Refer to the applications aid section for help in determining the value of resistor to be used. Internally these pins are weakly pulled up (RESET#) and pulled down (RESET); therefore, if the signals are not being used the pins may be left unconnected.

### GENERAL OPERATION

The S93662/663 is a 4096-bit nonvolatile memory intended for use with industry standard microprocessors. The S93663 is organized as X16, seven 11-bit instructions control the reading, writing and erase operations of the device. The S93662 is organized as X8, seven 12-bit instructions control the reading, writing and erase operations of the device. The device operates on a single 3V or 5V supply and will generate on chip, the high voltage required during any write operation.

Instructions, addresses, and write data are clocked into the DI pin on the rising edge of the clock (SK). The DO pin is normally in a high impedance state except when reading data from the device, or when checking the ready/busy status after a write operation.

The ready/busy status can be determined after the start of a write operation by selecting the device (CS high) and polling the DO pin; DO low indicates that the write operation is not completed, while DO high indicates that the device is ready for the next instruction. See the Applications Aid section for detailed use of the ready/busy status.

The format for all instructions is: one start bit; two op code bits and either eight (x16) or nine (x8) address or instruction bits.



## Read

Upon receiving a READ command and an address (clocked into the DI pin), the DO pin of the S93662/663 will come out of the high impedance state and, will first output an initial dummy zero bit, then begin shifting out the data addressed (MSB first). The output data bits will toggle on the rising edge of the SK clock and are stable after the specified time delay ( $t_{PD0}$  or  $t_{PD1}$ ).

## Write

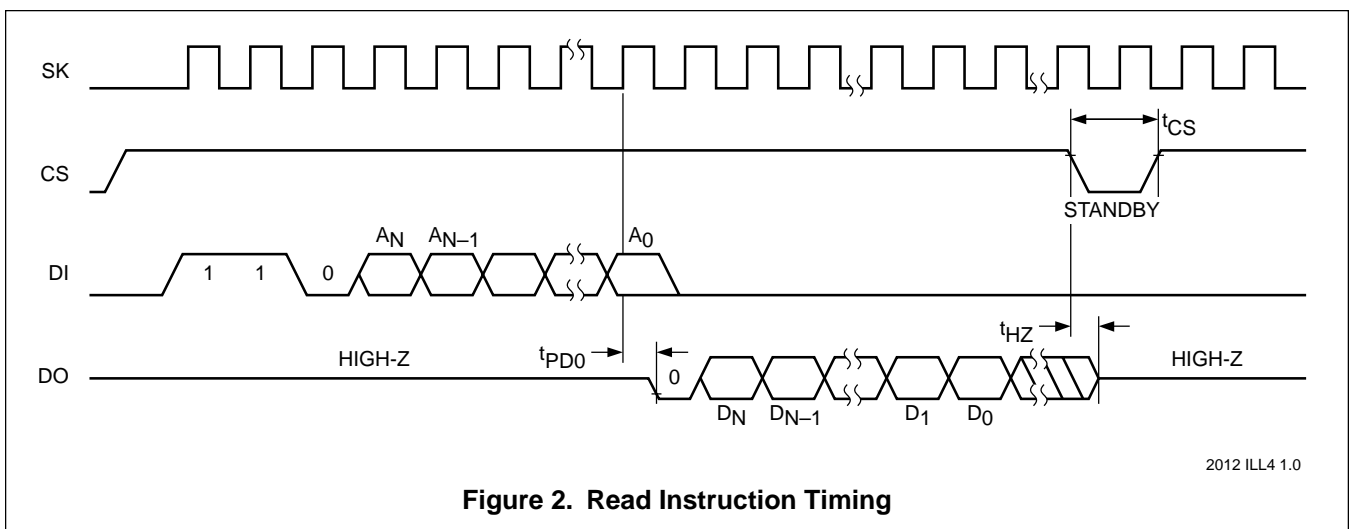
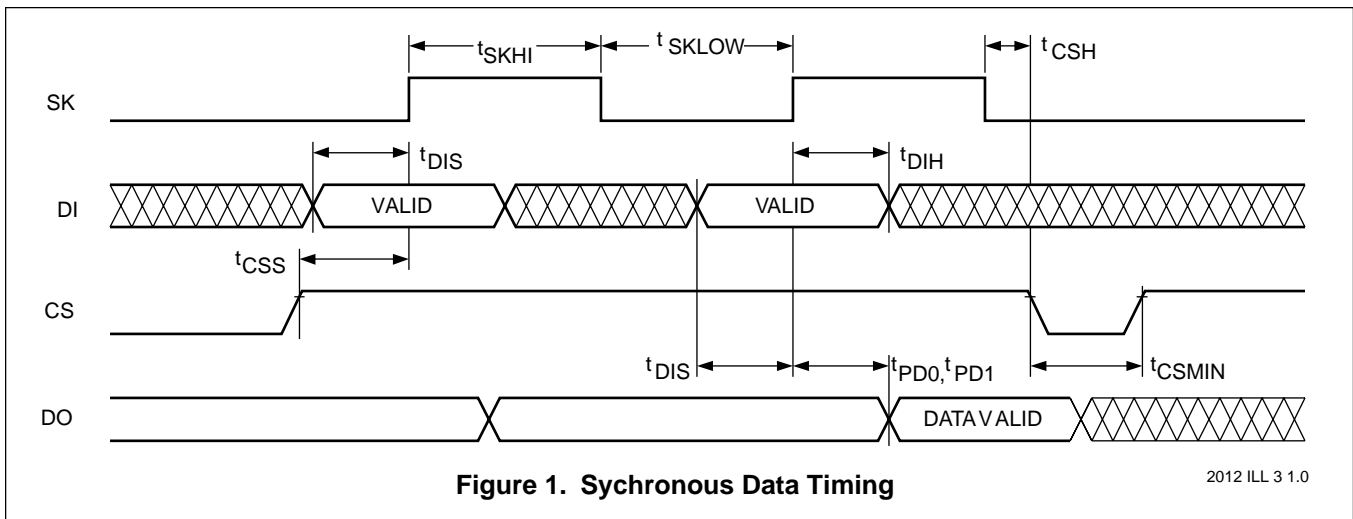
After receiving a WRITE command, address and the data, the CS (Chip Select) pin must be deselected for a minimum of 250ns ( $t_{CSMIN}$ ). The falling edge of CS will start automatic erase and write cycle to the memory location specified in the instruction. The ready/busy status of the S93662/663 can be determined by selecting the device and polling the DO pin.

## Erase

Upon receiving an ERASE command and address, the CS (Chip Select) pin must be deselected for a minimum of 250ns ( $t_{CSMIN}$ ). The falling edge of CS will start the auto erase cycle of the selected memory location. The ready/busy status of the S93662/663 can be determined by selecting the device and polling the DO pin. Once cleared, the content of a cleared location returns to a logical "1" state.

## Erase/Write Enable and Disable

The S93662/663 powers up in the write disable state. Any writing after power-up or after an EWDS (write disable) instruction must first be preceded by the EWEN (write enable) instruction. Once the write instruction is enabled, it will remain enabled until power to the device is removed, or the EWDS instruction is sent. The EWDS instruction can be used to disable all S93662/663 write and clear instructions, and will prevent any accidental





writing or clearing of the device. Data can be read normally from the device regardless of the write enable/disable status.

### Erase All

Upon receiving an ERAL command, the CS (Chip Select) pin must be deselected for a minimum of 250ns ( $t_{CSMIN}$ ). The falling edge of CS will start the self clocking clear cycle of all memory locations in the device. The clocking of the SK pin is not necessary after the device has entered the self clocking mode. The ready/busy status of the S93662/663 can be determined by selecting the device and polling the DO pin. Once cleared, the contents of all memory bits return to a logical "1" state.

### Write All

Upon receiving a WRAL command and data, the CS (Chip Select) pin must be deselected for a minimum of 250ns ( $t_{CSMIN}$ ). The falling edge of CS will start the self clocking data write to all memory locations in the device. The clocking of the SK pin is not necessary after the device has entered the self clocking mode. The ready/busy status of the S93662/663 can be determined by selecting the device and polling the DO pin. It is not necessary for all memory locations to be cleared before the WRAL command is executed.

### Page Write

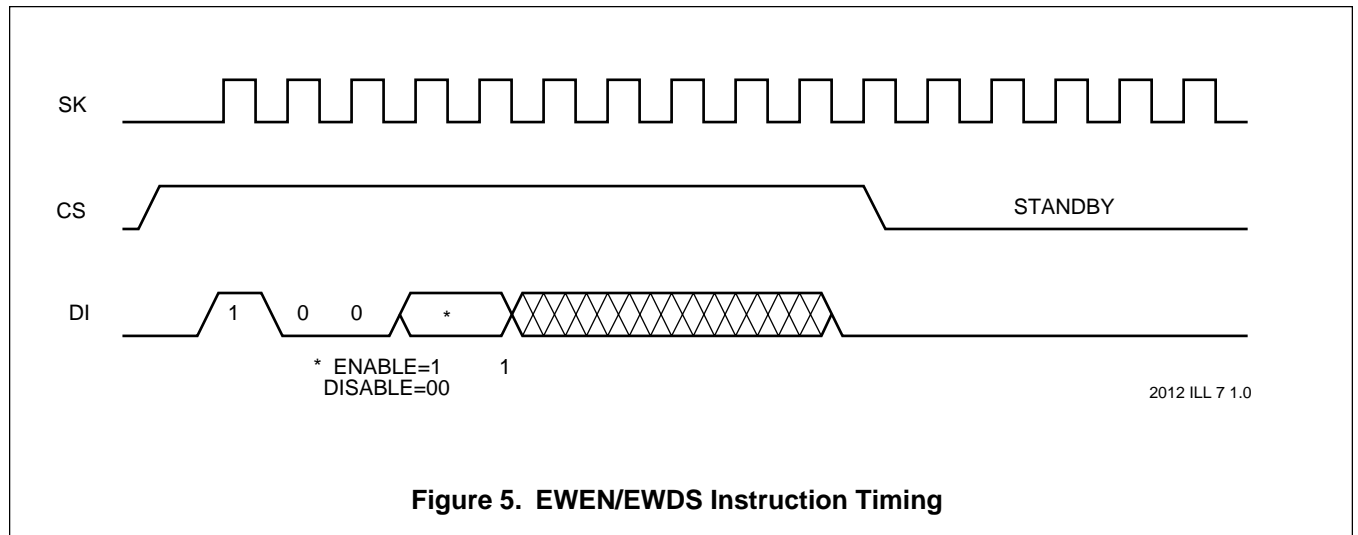
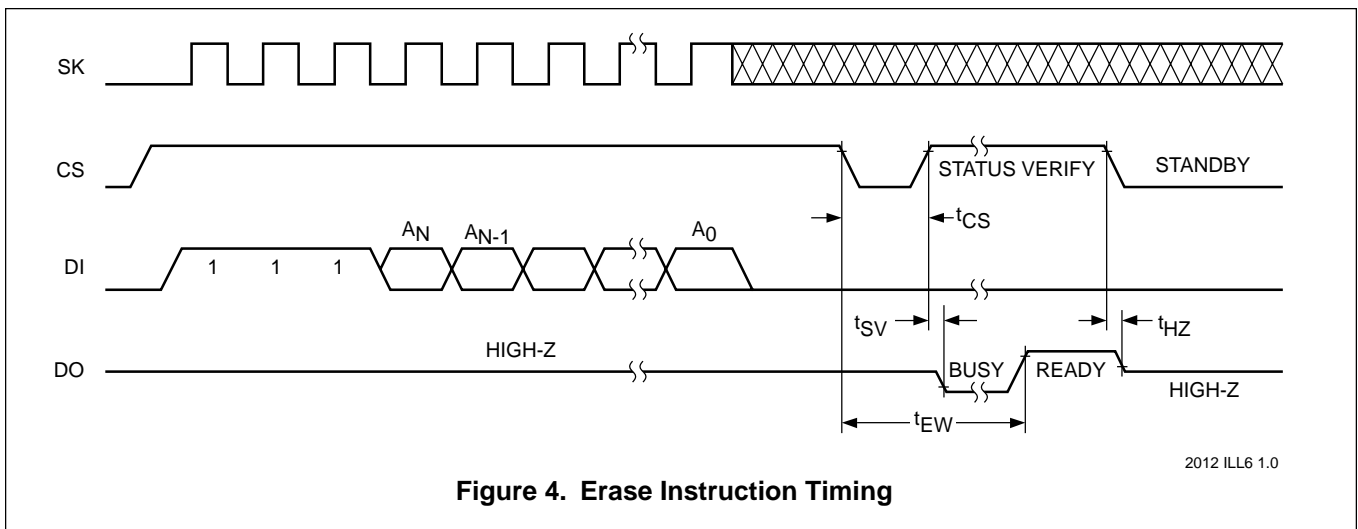
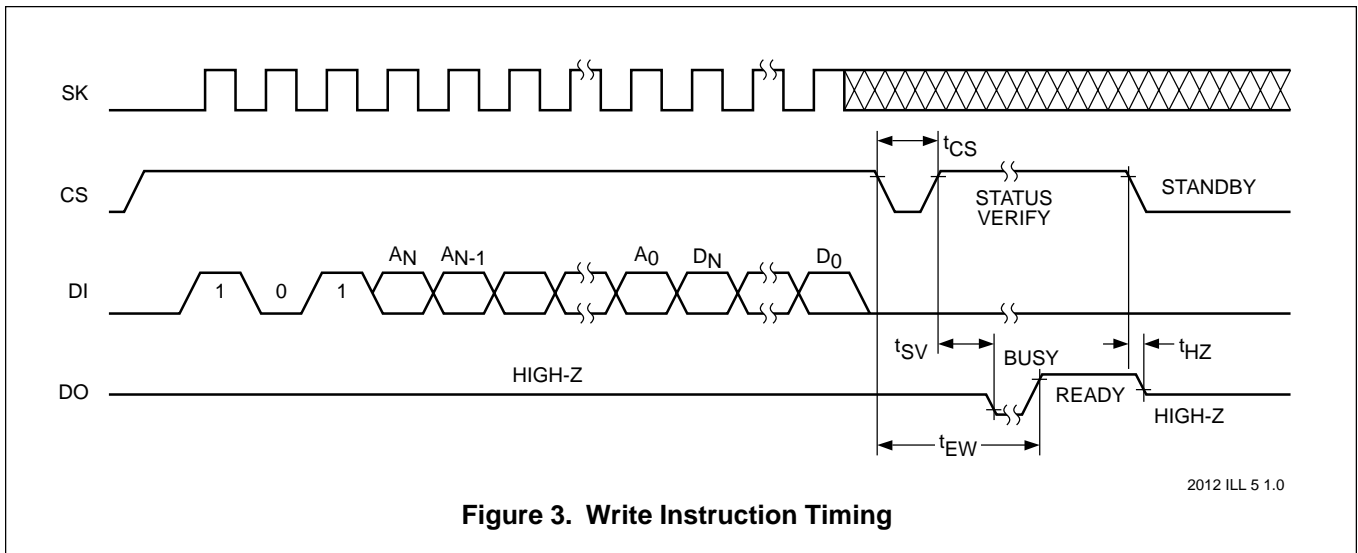
**93662** - Assume WEN has been issued. The host will then take CS high, and begin clocking in the start bit, write command and 9-bit byte address immediately followed by the first byte of data to be written. The host can then continue clocking in 8-bit bytes of data with each byte to be written to the next higher address. Internally the address pointer is incremented after receiving each group of eight clocks; however, once the address counter reaches  $x\ xxxx\ 1111$  it will roll over to  $x\ xxxx\ 0000$  with the next clock. After the last bit is clocked in no internal write operation will occur until CS is brought low.

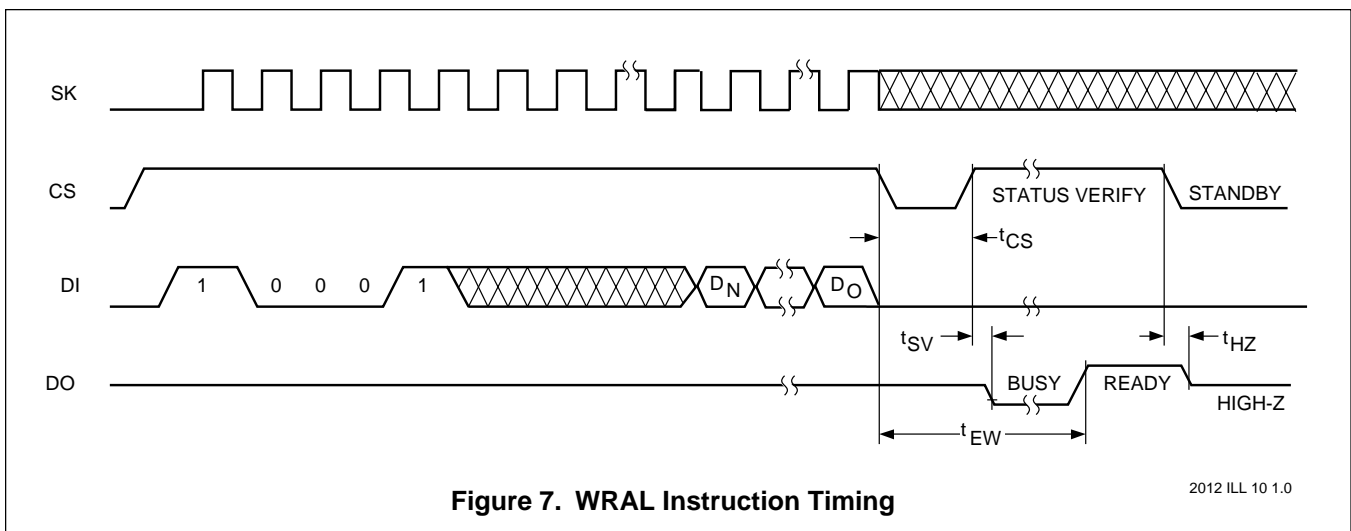
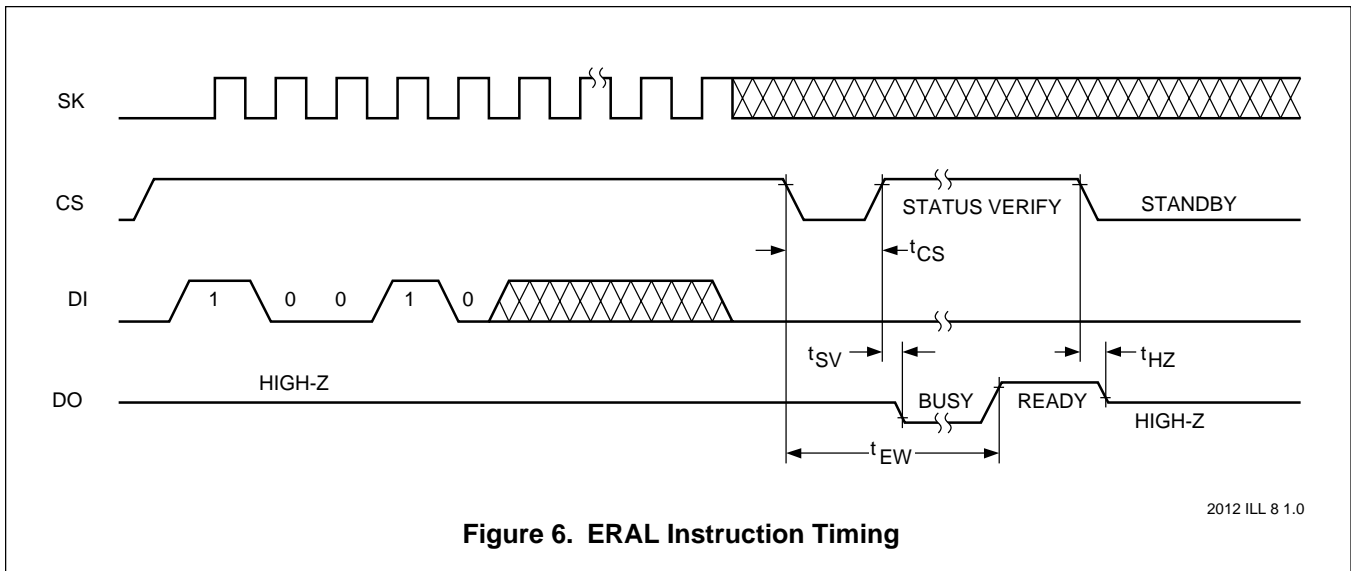
**93663** - Assume WEN has been issued. The host will then take CS high, and begin clocking in the start bit, write command and 8-bit byte address immediately followed by the first 16-bit word of data to be written. The host can then continue clocking in 16-bit words of data with each word to be written to the next higher

address. Internally the address pointer is incremented after receiving each group of sixteen clocks; however, once the address counter reaches  $xxxx\ x111$  it will roll over to  $xxxx\ x000$  with the next clock. After the last bit is clocked in no internal write operation will occur until CS is brought low.

### Continuous Read

This begins just like a standard read with the host issuing a read instruction and clocking out the data byte [word]. If the host then keeps CS high and continues generating clocks on SK, the S93662/663 will output data from the next higher address location. The S93662/663 will continue incrementing the address and outputting data so long as CS stays high. If the highest address is reached, the address counter will roll over to address 0000. . CS going low will reset the instruction register and any subsequent read must be initiated in the normal manner of issuing the command and address.





**INSTRUCTION SET**

Instruction	Start Bit	Opcode	Address		Data		Comments
			x8	x16	x8	x16	
READ	1	10	A8–A0	A7–A0			Read Address AN–A0
ERASE	1	11	A8–A0	A7–A0			Clear Address AN–A0
WRITE	1	01	A8–A0	A7–A0	D7–D0	D15–D0	Write Address AN–A0
EWEN	1	00	11xxx xxxx	11xxx xxx			Write Enable
EWDS	1	00	00xxx xxxx	00xxx xxx			Write Disable
ERAL	1	00	10xxx xxxx	10xxx xxx			Clear All Addresses
WRAL	1	00	01xxx xxxx	01xxx xxx	D7–D0	D15–D0	Write All Addresses

2012 PGM T5 1.1



## ABSOLUTE MAXIMUM RATINGS\*

Temperature Under Bias .....	-55°C to +125°C
Storage Temperature .....	-65°C to +150°C
Voltage on any Pin with Respect to Ground <sup>(1)</sup> .....	-2.0V to +V <sub>CC</sub> +2.0V
V <sub>CC</sub> with Respect to Ground .....	-2.0V to +7.0V
Package Power Dissipation Capability (Ta = 25°C) .....	1.0W
Lead Soldering Temperature (10 seconds) .....	300°C
Output Short Circuit Current <sup>(2)</sup> .....	100mA

### \*COMMENT

Stresses above those listed under "Absolute Maximum Ratings" may cause permanent damage to the device. These are stress ratings only, and functional operation of the device at these or any other conditions outside of those listed in the operational sections of this specification is not implied. Exposure to any absolute maximum rating for extended periods may affect device performance and reliability.

## RECOMMENDED OPERATING CONDITIONS

Temperature	Min	Max
Commercial	0°C	+70°C
Industrial	-40°C	+85°C

2012 PGM T7 1.0

## RELIABILITY CHARACTERISTICS

Symbol	Parameter	Min.	Max.	Units
N <sub>END</sub> <sup>(3)</sup>	Endurance	100,000		Cycles/Byte
T <sub>DR</sub> <sup>(3)</sup>	Data Retention	100		Years
V <sub>ZAP</sub> <sup>(3)</sup>	ESD Susceptibility	2000		Volts
I <sub>LTH</sub> <sup>(3)(4)</sup>	Latch-Up	100		mA

## D.C. OPERATING CHARACTERISTICS (over recommended operating conditions unless otherwise specified)

Symbol	Parameter	Limits			Units	Test Conditions
		Min.	Typ.	Max.		
I <sub>CC</sub>	Power Supply Current (Operating)			3	mA	DI = 0.0V, f <sub>SK</sub> = 1MHz V <sub>CC</sub> = 5.0V, CS = 5.0V, Output Open
I <sub>SB</sub>	Power Supply Current (Standby)			50	μA	CS = 0V Reset Outputs Open
I <sub>LI</sub>	Input Leakage Current			2	μA	V <sub>IN</sub> = 0V to V <sub>CC</sub>
I <sub>LO</sub>	Output Leakage Current (Including ORG pin)			10	μA	V <sub>OUT</sub> = 0V to V <sub>CC</sub> , CS = 0V
V <sub>IL1</sub> V <sub>IH1</sub>	Input Low Voltage Input High Voltage	-0.1 2		0.8 V <sub>CC</sub> +1	V V	4.5V-V <sub>CC</sub> <5.5V
V <sub>IL2</sub> V <sub>IH2</sub>	Input Low Voltage Input High Voltage	0 V <sub>CC</sub> × 0.7		V <sub>CC</sub> × 0.2 V <sub>CC</sub> +1	V V	1.8V-V <sub>CC</sub> <2.7V
V <sub>OL1</sub> V <sub>OH1</sub>	Output Low Voltage Output High Voltage	2.4		0.4	V V	4.5V-V <sub>CC</sub> <5.5V I <sub>OL</sub> = 2.1mA I <sub>OH</sub> = -400μA
V <sub>OL2</sub> V <sub>OH2</sub>	Output Low Voltage Output High Voltage	V <sub>CC</sub> -0.2		0.2	V V	1.8V-V <sub>CC</sub> <2.7V I <sub>OL</sub> = 1mA I <sub>OH</sub> = -100μA

2012 PGM T3 1.1

### Note:

- (1) The minimum DC input voltage is -0.5V. During transitions, inputs may undershoot to -2.0V for periods of less than 20ns. Maximum DC voltage on output pins is V<sub>CC</sub> +0.5V, which may overshoot to V<sub>CC</sub> +2.0V for periods of less than 20ns.
- (2) Output shorted for no more than one second. No more than one output shorted at a time.
- (3) This parameter is tested initially and after a design or process change that affects the parameter.
- (4) Latch-up protection is provided for stresses up to 100mA on address and data pins from -1V to V<sub>CC</sub> +1V.

**PIN CAPACITANCE**

Symbol	Test	Max.	Units	Conditions
C <sub>OUT</sub> <sup>(1)</sup>	OUTPUT CAPACITANCE (DO)	5	pF	V <sub>OUT</sub> =OV
C <sub>IN</sub> <sup>(1)</sup>	INPUT CAPACITANCE (CS, SK, DI, ORG)	5	pF	V <sub>IN</sub> =OV

Note:

2012 PGM T4 1.0

(1) This parameter is tested initially and after a design or process change that affects the parameter.

**A.C. CHARACTERISTICS** (over recommended operating conditions unless otherwise specified)

SYMBOL	PARAMETER	Limits				UNITS	Test Conditions
		V <sub>CC</sub> =2.7V-4.5V		V <sub>CC</sub> =4.5V-5.5V			
		Min.	Max.	Min.	Max.		
t <sub>CSS</sub>	CS Setup Time	100		50		ns	C <sub>L</sub> = 100pF
t <sub>CSH</sub>	CS Hold Time	0		0		ns	
t <sub>DIS</sub>	DI Setup Time	200		100		ns	
t <sub>DIH</sub>	DI Hold Time	200		100		ns	
t <sub>PD1</sub>	Output Delay to 1		0.5		0.25	μs	
t <sub>P0</sub>	Output Delay to 0		0.5		0.25	μs	
t <sub>HZ</sub> <sup>(1)</sup>	Output Delay to High-Z		200		100	ns	
t <sub>EW</sub>	Program/Erase Pulse Width		10		10	ms	
t <sub>CSMIN</sub>	Minimum CS Low Time	0.5		0.25		μs	
t <sub>SKHI</sub>	Minimum SK High Time	0.5		0.25		μs	
t <sub>SKLOW</sub>	Minimum SK Low Time	0.5		0.25		μs	
t <sub>SV</sub>	Output Delay to Status Valid		0.5		0.25	μs	
SK <sub>MAX</sub>	Maximum Clock Frequency	DC	500	DC	1000	KHZ	

Note:

2012 PGM T6 1.0

(1) This parameter is tested initially and after a design or process change that affects the parameter.





RESET CIRCUIT AC and DC ELECTRICAL CHARACTERISTICS

Symbol	Parameter	2.7		5 Volt-A		5 Volt-B		Unit
		Min	Max	Min	Max	Min	Max	
VTRIP	Reset Trip Point	2.55	2.7	4.25	4.5	4.50	4.75	V
tPURST	Power-Up Reset Timeout	130	270	130	270	130	270	ms
tRPD	VTRIP to RESET Output Delay		5		5		5	μs
VRVALID	RESET# Output Valid	1		1		1		V
tGLITCH	Glitch Reject Pulse Width		30		30		30	ns
VOLRS	RESET# Output Low Voltage I <sub>OL</sub> =1mA		0.4		0.4		0.4	V
VOHRS	RESET Output High I <sub>OH</sub>	V <sub>CC</sub> -0.75		V <sub>CC</sub> -0.75		V <sub>CC</sub> -0.75		V

2012 PGM T1 1.1

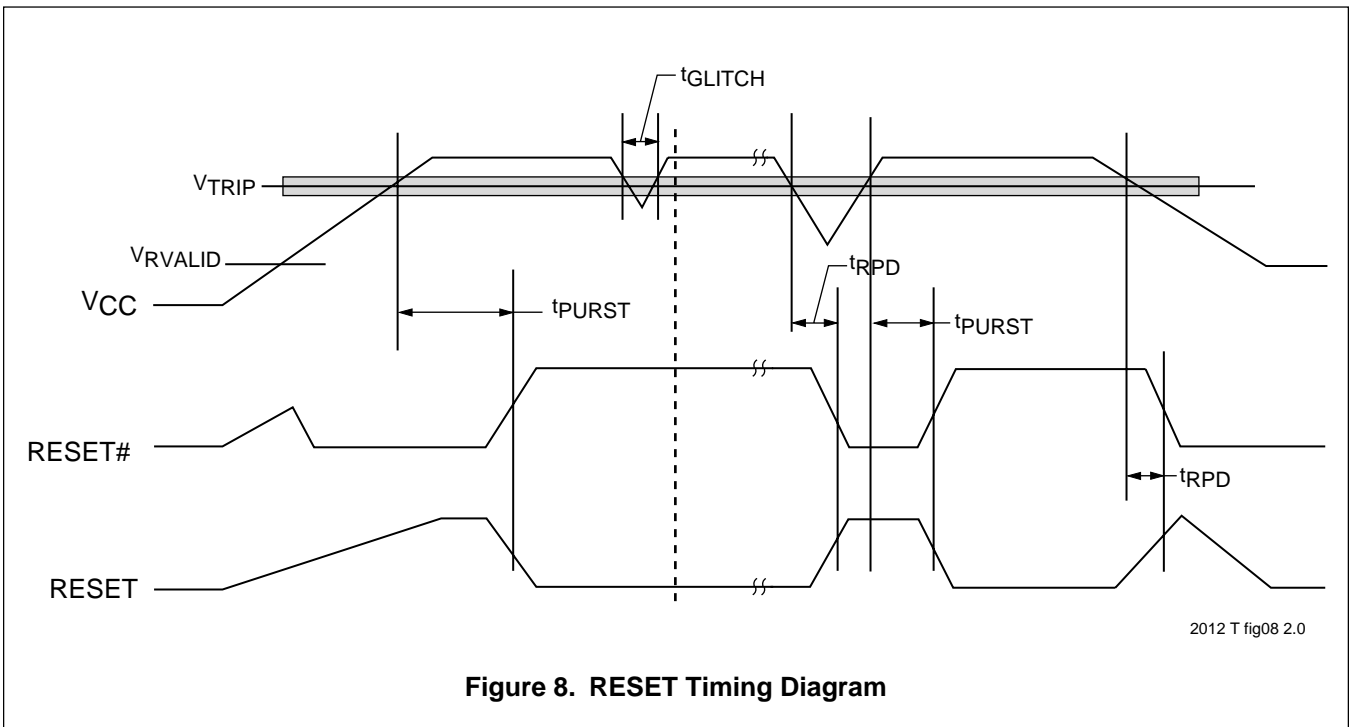
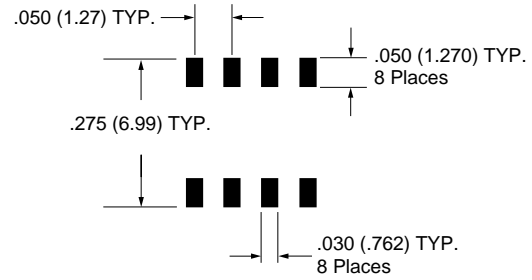
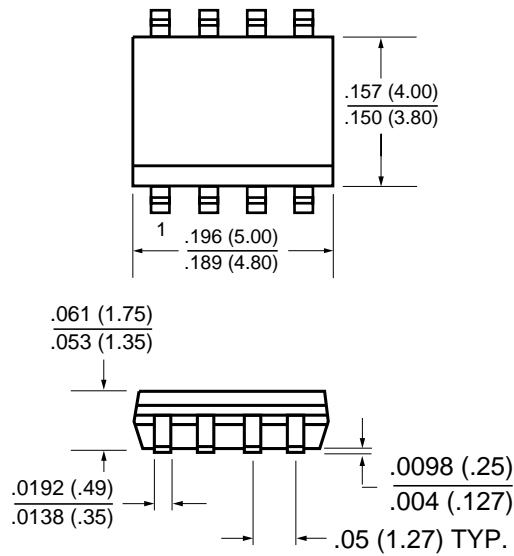


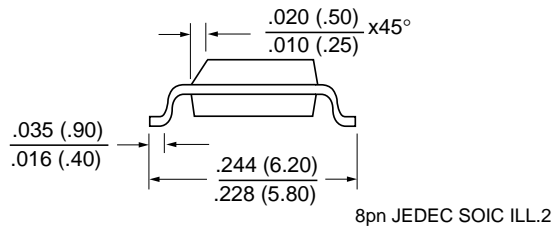
Figure 8. RESET Timing Diagram



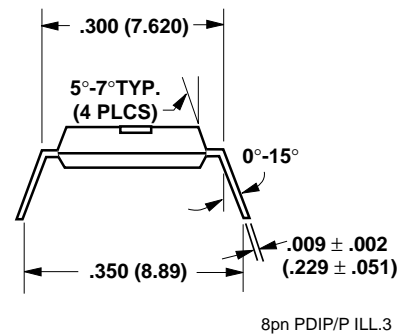
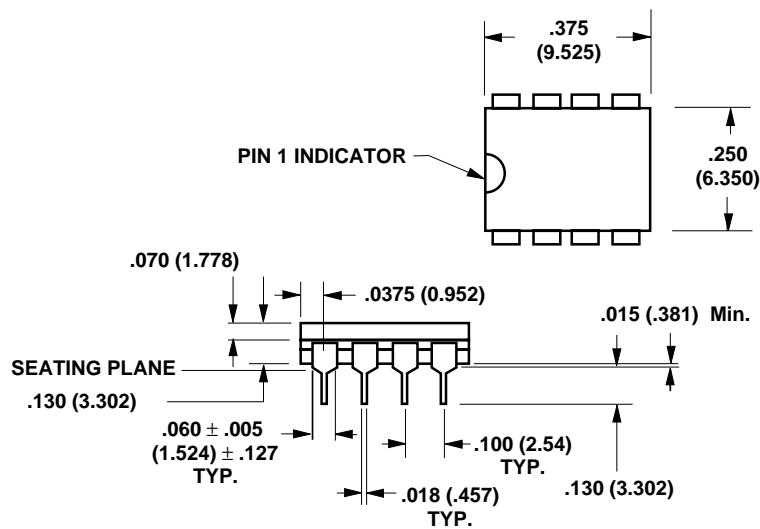
## 8 Pin SOIC (Type S) Package JEDEC (150 mil body width)



### FOOTPRINT



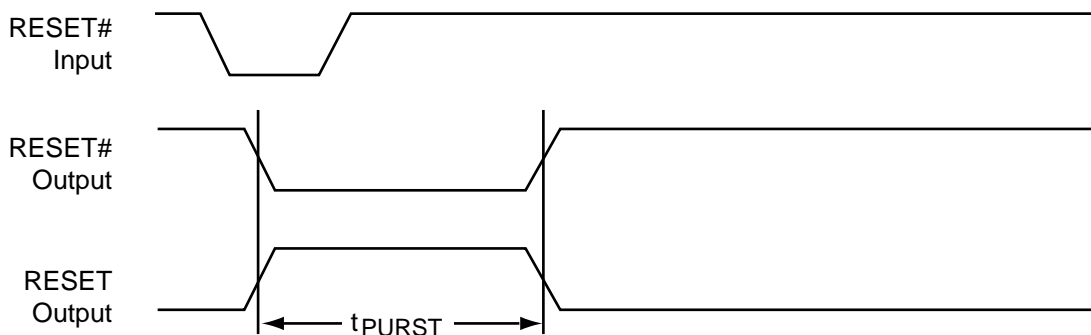
## 8 Pin PDIP (Type P) Package





Frequently the reset controller will be deployed on a PC board that provides a peripheral function to a system. Examples might be modem or network cards in a PC or a PCMCIA card in a laptop. In instances like this the peripheral card may have a requirement for a clean reset function to insure proper operation. The system may or may not provide a reset pulse of sufficient duration to clear the peripheral or to protect data stored in a nonvolatile memory.

The I/O capability of the RESET pins can provide a solution. The system's reset signal to the peripheral can be fed into the S93662/663 and it in turn can clean up the signal and provide a known entity to the peripheral's circuits. The figure below shows the basic timing characteristics under the assumption the reset input is shorter in duration than  $t_{PURST}$ . The same reset output affect can be attained by using the active high reset input.



2012 T fig09 2.0

When planning your resistor pull-up and pull-down values, use the following chart to help determine min. resistances.

**Worst Case RESET Sink/Source Capabilities at Various  $V_{CC}$  Levels**

Parameter	Symbol	Condition	Min	Typ	Max	Units
RESET# Output Voltage	$V_{OL}$	$V_{CC} = 1.0V, I_{OL}=100\mu A$			0.3	V
		$V_{CC} = 1.2V, I_{OL}=100\mu A$			0.3	V
		$V_{CC} = 3.0V, I_{OL}=500\mu A$			0.3	V
		$V_{CC} = 3.6V, I_{OL}=500\mu A$			0.3	V
		$V_{CC} = 4.5V, I_{OL}=750\mu A$			0.3	V
RESET# Output Voltage	$V_{OL}$	$V_{CC} = 1.0V, I_{OL}=100\mu A$			0.4	V
		$V_{CC} = 1.2V, I_{OL}=150\mu A$			0.4	V
		$V_{CC} = 3.0V, I_{OL}=750\mu A$			0.4	V
		$V_{CC} = 3.6V, I_{OL}=1mA$			0.4	V
		$V_{CC} = 4.5V, I_{OL}=1mA$			0.4	V
RESET Output Voltage	$V_{OH}$	$V_{CC} = 1.0V, I_{OH}=400\mu A$	$V_{CC}-0.75$			V
		$V_{CC} = 1.2V, I_{OH}=800\mu A$	$V_{CC}-0.75$			V
		$V_{CC} = 3.0V, I_{OH}=800\mu A$	$V_{CC}-0.5$			V
		$V_{CC} = 3.6V, I_{OH}=800\mu A$	$V_{CC}-0.5$			V
		$V_{CC} = 4.5V, I_{OH}=800\mu A$	$V_{CC}-0.5$			V

2012 PGM T5 1.0

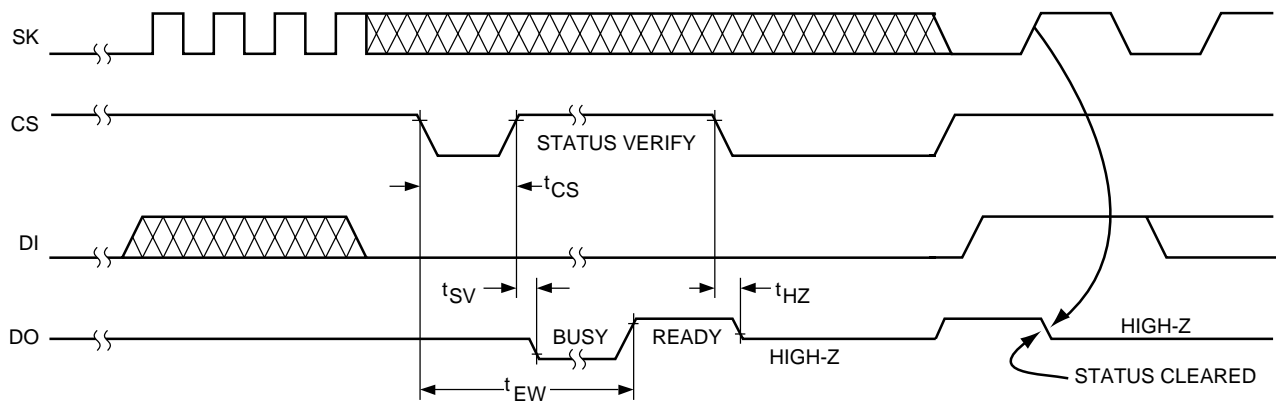


## Ready/Busy Status

During the internal write operation the S93662/663 memory array is inaccessible. After starting the write operation (taking CS low) the host can implement a 10ms time-out routine or alternatively it can employ a polling routine that tests the state of the DO pin.

After starting the write, testing for the status is easily accomplished by taking CS high and testing the state of DO. If it is low the device is still busy with the internal write. If it is high the write operation has completed.

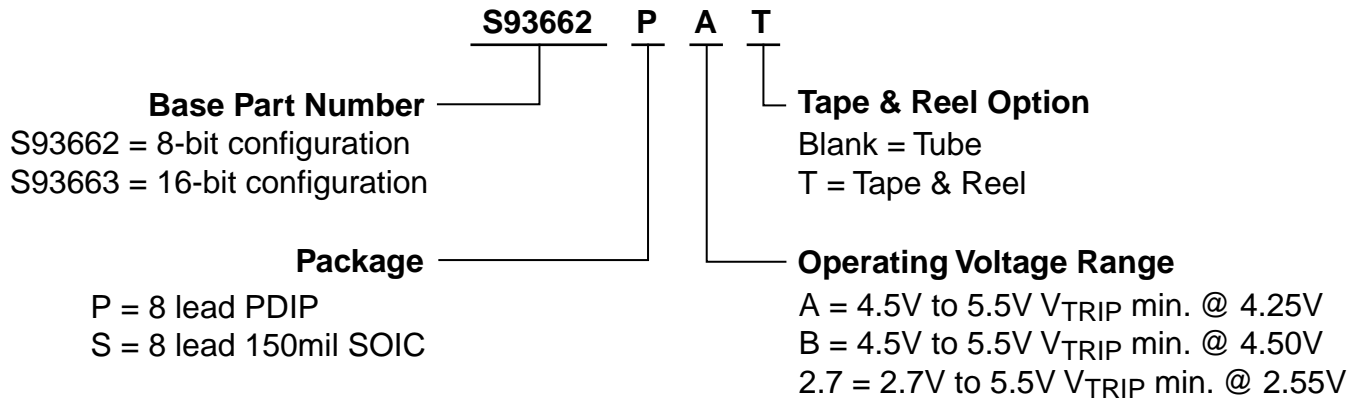
For the polling routine the host has the option of toggling CS for each test of DO, or it can place CS high and then intermittently test DO. SK is not required for any of these operations. Once the device is ready, it will continue to drive DO high whenever the S93662/663 is selected. The ready state of DO can be cleared by clocking in a start bit; this start bit can either be the beginning of a new command sequence or it can be a dummy start bit with CS returning low before the host issues a new command.



2012 ILL 13 1.0



## ORDERING INFORMATION



2012 Tree 2.0



NOTICE

SUMMIT Microelectronics, Inc. reserves the right to make changes to the products contained in this publication in order to improve design, performance or reliability. SUMMIT Microelectronics, Inc. assumes no responsibility for the use of any circuits described herein, conveys no license under any patent or other right, and makes no representation that the circuits are free of patent infringement. Charts and schedules contained herein reflect representative operating parameters, and may vary depending upon a user's specific application. While the information in this publication has been carefully checked, SUMMIT Microelectronics, Inc. shall not be liable for any damages arising as a result of any error or omission.

SUMMIT Microelectronics, Inc. does not recommend the use of any of its products in life support applications where the failure or malfunction of the product can reasonably be expected to cause failure of the life support system or to significantly affect its safety or effectiveness. Products are not authorized for use in such applications unless SUMMIT Microelectronics, Inc. receives written assurances, to its satisfaction, that: (a) the risk of injury or damage has been minimized; (b) the user assumes all such risks; and (c) potential liability of SUMMIT Microelectronics, Inc. is adequately protected under the circumstances.

© Copyright 2000 SUMMIT Microelectronics, Inc.