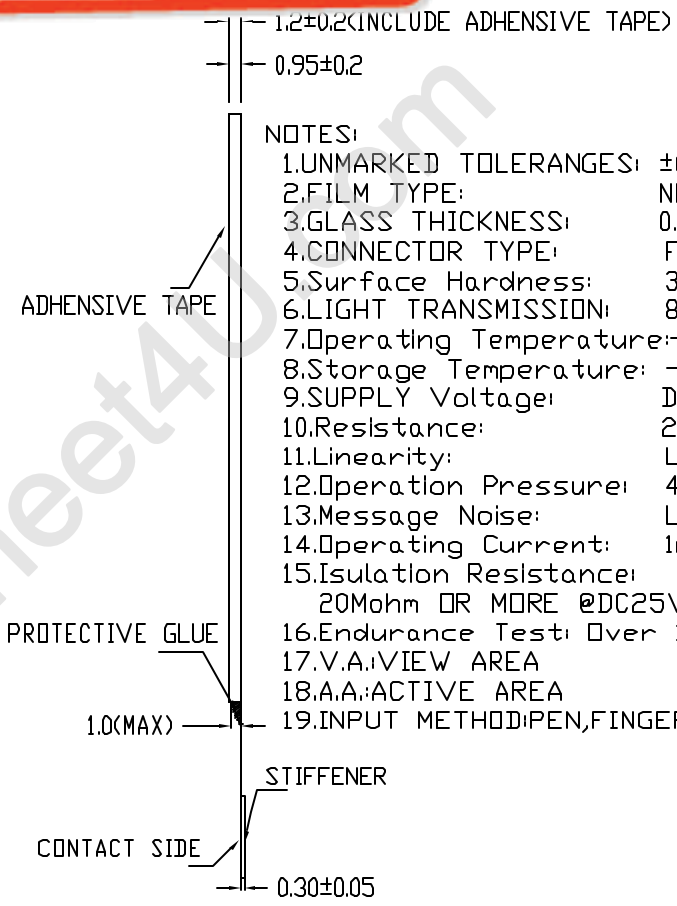
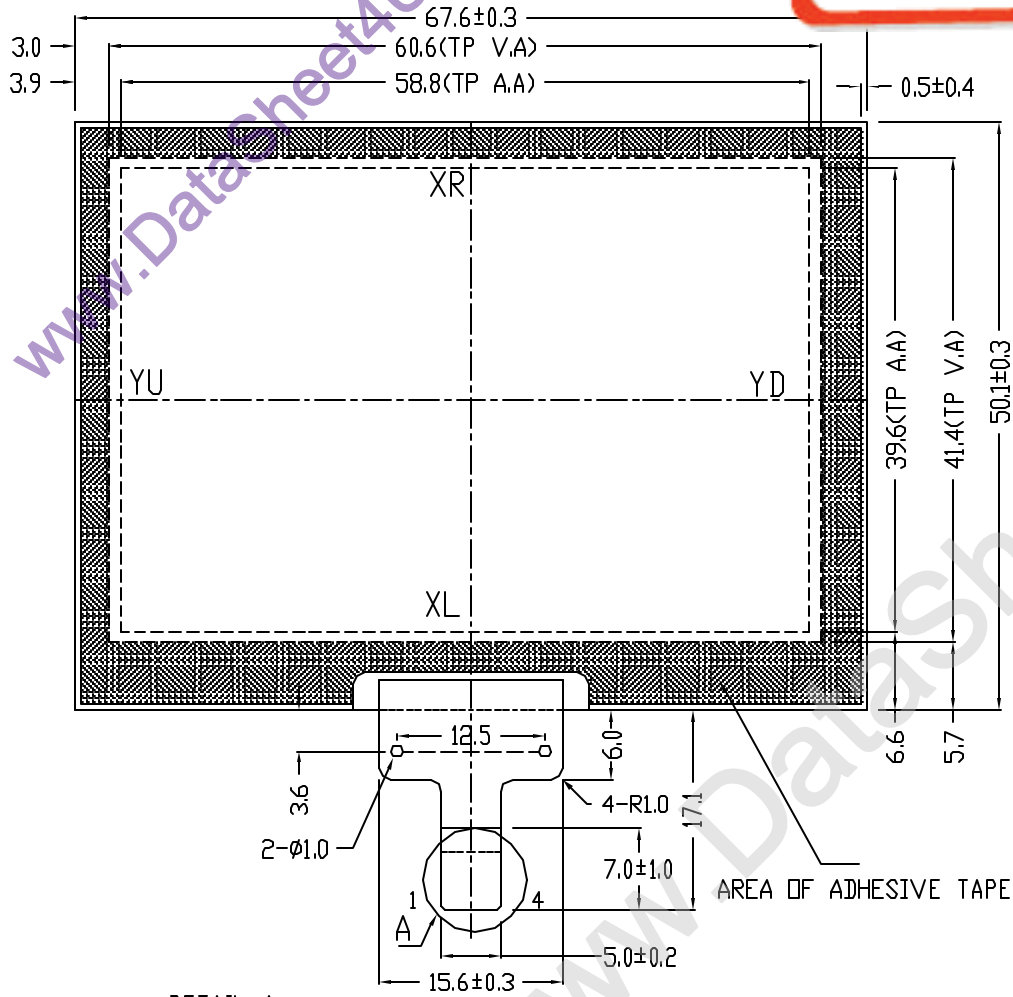


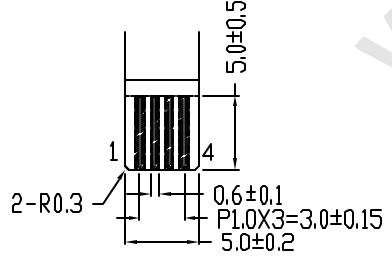
液晶之友 电话: 020-33819057

Http://www.lcdfriends.com




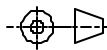
- NOTES:
- 1.UNMARKED TOLERANCES:  $\pm 0.3\text{mm}$
  - 2.FILM TYPE: NON-GLARE
  - 3.GLASS THICKNESS: 0.7mm
  - 4.CONNECTOR TYPE: FPC
  - 5.Surface Hardness: 3H OR MORE
  - 6.LIGHT TRANSMISSION: 80%(MIN)
  - 7.Operating Temperature:  $-20^{\circ}\text{C}\sim 70^{\circ}\text{C}$
  - 8.Storage Temperature:  $-30^{\circ}\text{C}\sim 80^{\circ}\text{C}$
  - 9.SUPPLY Voltage: DC5V 7.0V(MAX)
  - 10.Resistance: 250ohm~650ohm
  - 11.Linearity: Less Than  $\pm 1.5\%$
  - 12.Operation Pressure: 40g $\pm 20\text{g}$
  - 13.Message Noise: Less Than 15m sec
  - 14.Operating Current: 1mA~25mA
  - 15.Isulation Resistance: 20Mohm OR MORE @DC25V
  - 16.Endurance Test: Over 1 million strikes
  - 17.V.A.:VIEW AREA
  - 18.A.A.:ACTIVE AREA
  - 19.INPUT METHOD: PEN, FINGER, PEN&FINGER

DETAIL A:



TOUCH PANEL I/O PORTS

1	YU	GLASS TERMINAL
2	XL	FILM TERMINAL
3	YD	GLASS TERMINAL
4	XR	FILM TERMINAL

 <b>TIAN-MA MICROELECTRONICS CO.</b> 22/F., HANGDU Building, Sherman Road, Central, Shenzhen, China		
DRAWN BY:	TITLE: TM160240AG	
CHECKED BY:	DWG NO: TP-3	SCALE: UNIT: mm
APPROVED BY:	DWG NAME: TM160240AGTP-3	SHEET NO: 0F