
HD75161A

Octal General Purpose Interface Bus Transceivers

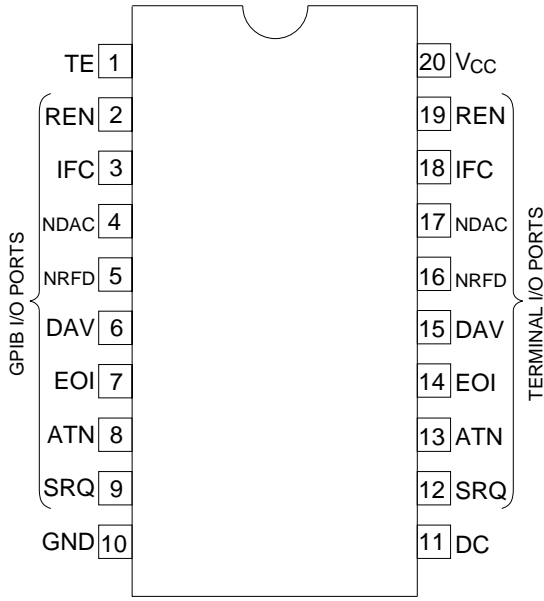
HITACHI

ADE-205-591 (Z)
1st. Edition
Dec. 2000

Description

The HD75161A is an 8 channel general purpose interface bus transceiver designed to meet the requirements of IEEE standard 488-1978. The transceiver is to provide the bus management and data transfer signals during operating in a controller instrumentation system. When combined with the HD75160A octal bus transceiver, the HD75161A provides the complete 16 wire interface for the IEEE 488 bus. The HD75161A features eight driver receiver pairs connected in a front to back configuration to form input/output ports at both the bus and terminal sides. The direction of data through these driver receiver pairs is determined by the DC and TE enable signals. The device exhibits a high impedance to the bus when $V_{CC} = 0$ V since the bus terminating resistors are built in. It features driver outputs which can handle loads up to 48 mA of sink current. Each receiver features p n p transistor inputs for high input impedance and guaranteed hysteresis of 400 mV for increased noise immunity.

Pin Arrangement



(Top view)

Table Of Abbreviation

DRIVERS

Name	Identity	Class
DC	Direction Control	Control
TE	Talk Enable	
ATN	Attention	Bus Management
SRQ	Service Request	
REN	Remote Enable	
IFC	Interface Clear	
EOI	End Or Identify	
DAV	Data Valid	
NDAC	Not Data Accepted	Data Transfer
NRFD	Not Ready For Data	

Function Table

Controls			Bus management Channels				Data transfer Channels			
			ATN*1	SRQ	REN	IFC	DAV	NDAC	NRFD	
DC	TE	ATN	Controlled By DC				EOI	Controlled by TE		
H	H	H	R	T	R	R	T	T	R	R
H	H	L					R			
L	L	H	T	R	T	T	R	R	T	T
L	L	L					T			
H	L	X	R	T	R	R	R	R	T	T
L	H	X	T	R	T	T	T	T	R	R

H : High level
 L : Low level
 X : Irrelevant
 R : Receiver
 T : Transmit

- Notes: 1. ATN is a normal transceiver channel that functions additionally as an internal direction control or talk enable for EOI whenever the DC and TE inputs are in the same state.
 2. Direction of data transmission is from the terminal side to the bus side and the direction of data receiving is from the bus side to the terminal side. Data transfer is noninverting in both directions.

Absolute Maximum Ratings

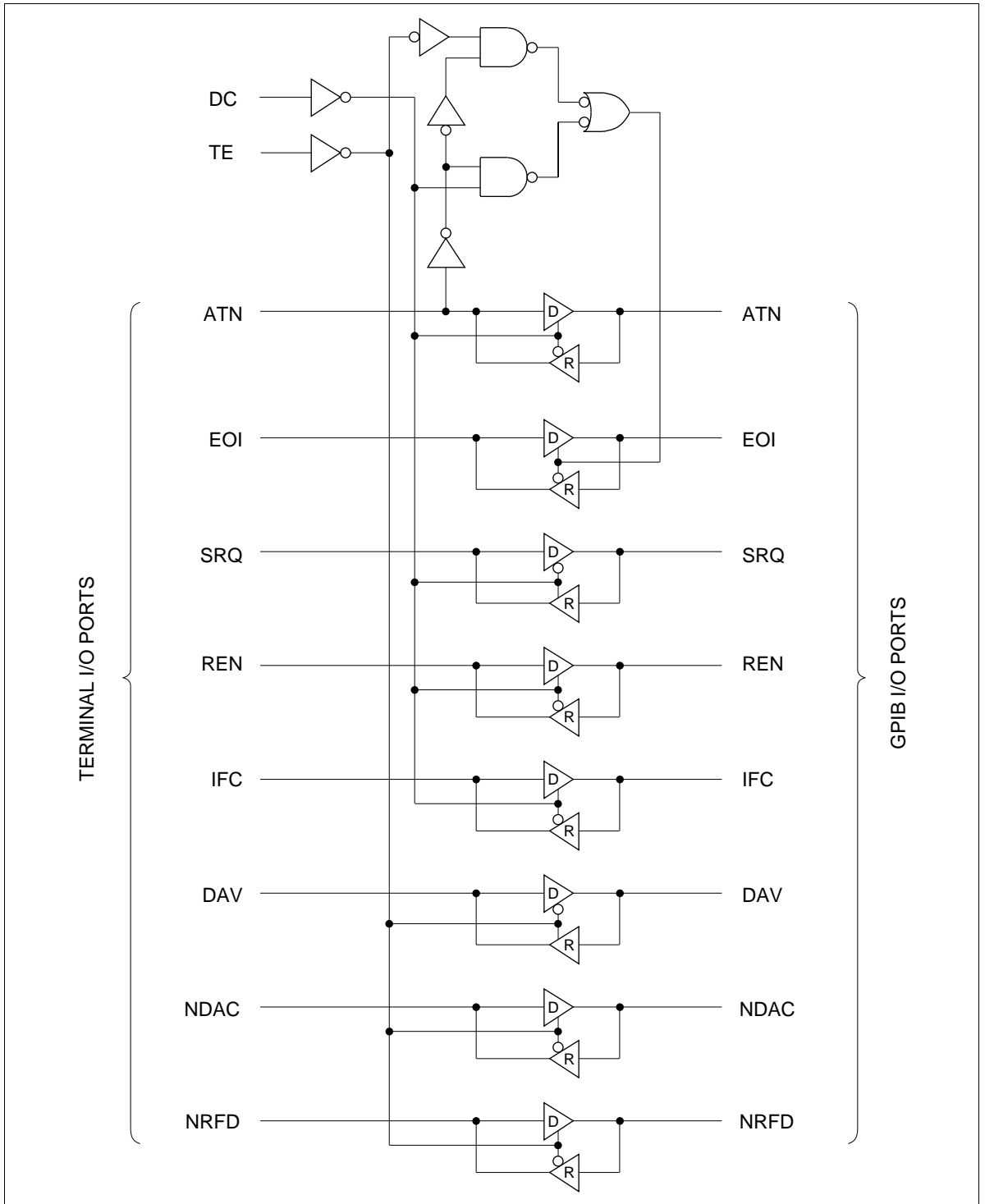
Item	Symbol	Rating	Unit
Supply Voltage	V_{CC}	7	V
Input Voltage	V_{IC}	5.5	V
Output Current	I_{OL}	100	mA
Power Dissipation ($T_a = 25^\circ\text{C}$)	P_T	1150	mW
Operating Temperature Range	T_{opr}	0 to 70	$^\circ\text{C}$
Storage Temperature Range	T_{stg}	-65 to +150	$^\circ\text{C}$

Note: 1. The absolute maximum ratings are values which must not individually be exceeded, and furthermore, no two of which may be realized at the same time.

Recommended Operating Conditions

Item	Symbol	Min	Typ	Max	Unit
Supply Voltage	V_{CC}	4.75	5.00	5.25	V
Output Current	Bus Ports With 3 State Outputs	—	—	-5.2	mA
	Terminal Ports	—	—	-800	μ A
Output Current	Bus Ports With 3 State Outputs	—	—	48	mA
	Terminal Ports	—	—	16	
Operating Temperature	T_{opr}	0	—	70	$^{\circ}$ C

Logic Diagram



DC Electrical Characteristics (Ta = 0 to 70°C)

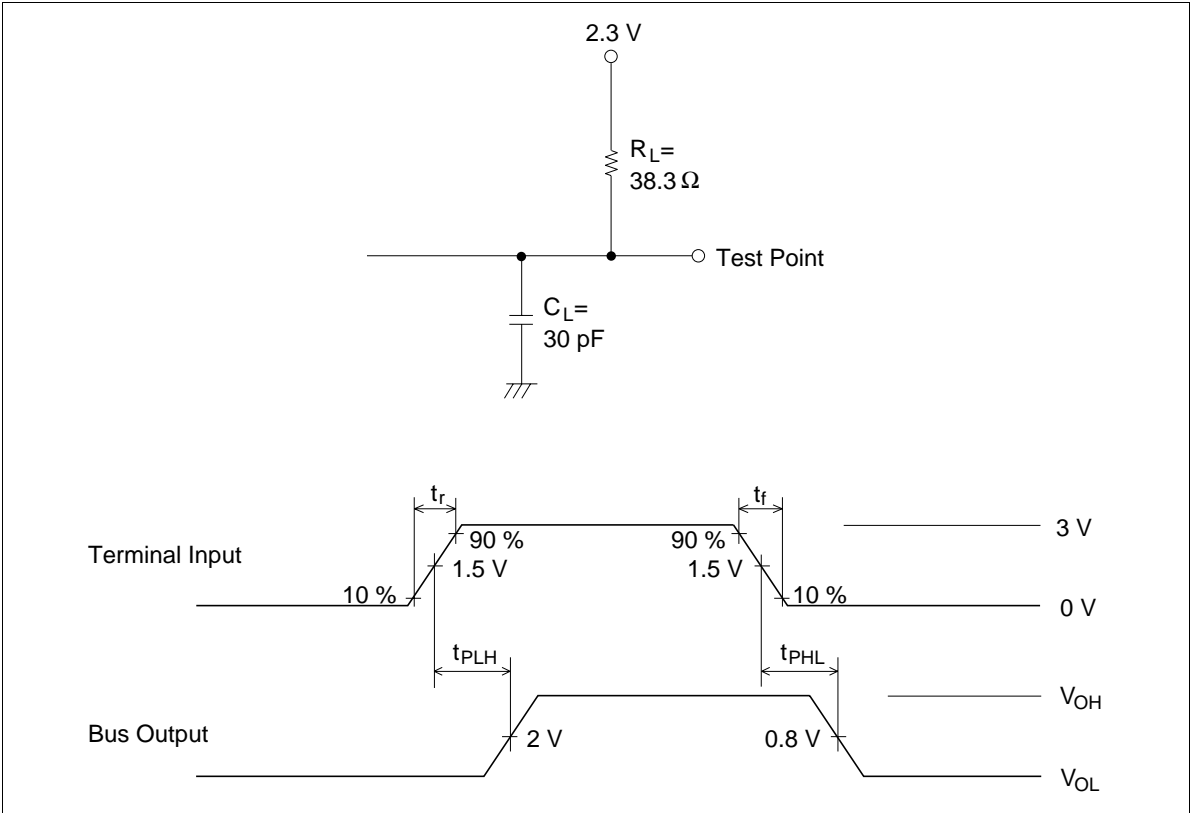
Item		Symbol	V _{CC}	Min	Max	Unit	Conditions
Input Voltage		V _{IH}	2	—	—	V	
		V _{IL}	—	—	0.8		
Input Clamp Voltage		V _{IK}	—	—	-1.5	V	I _I = -18 mA
Hysteresis	Bus	V _T ⁺ - V _T ⁻	0.4	—	—	V	
Output Voltage	Terminal	V _{OH}	2.7	—	—	V	I _{OH} = -800 μA
	Bus		2.5	—	—		I _{OH} = -5.2 mA
	Terminal	V _{OL}	—	—	0.5	V	I _{OL} = 16 mA
	Bus		—	—	0.5		I _{OL} = 48 mA
Input Current	Terminal	I _I	—	—	100	μA	V _I = 5.5 V
	Terminal And	I _{IH}	—	—	20		V _I = 2.7 V
	Control Inputs	I _{IL}	—	—	-100		V _I = 0.5 V
Voltage at Bus Port		V _{I/O (bus)}	2.5	—	3.7	V	Driver I _{I(bus)} = 0
			—	—	-1.5		Disabled I _{I(bus)} = -12 mA
Current Into Bus Port	V _{CC} ON	I _{I/O (bus)}	-1.3	—	—	mA	Driver V _{I(bus)} = -1.5 V to 0.4 V
			0	—	-3.2		Disabled V _{I(bus)} = 0.4 V to 2.5 V
			—	—	+2.5		V _{I(bus)} = 2.5 V to 3.7 V
			—	—	-3.2		
			0	—	2.5		V _{I(bus)} = 3.7 V to 5 V
	0.7	—	2.5		V _{I(bus)} = 5 V to 5.5 V		
	V _{CC} OFF		—	—	40	μA	V _{CC} = 0, V _{I(bus)} = 0 V to 2.5 V
Short Circuit	Terminal	I _{OS}	-15	—	-75	mA	
Output Current	Bus		-25	—	-125		
Supply Voltage		I _{CC}	—	—	100	mA	No Load TE, DC, low
Bus port Capacitance		C _{I/O (bus)}	—	30	—	pF	V _{CC} = 5 V or 0 V, V _{I/O} = 0 to 2 V, f = 1 MHz

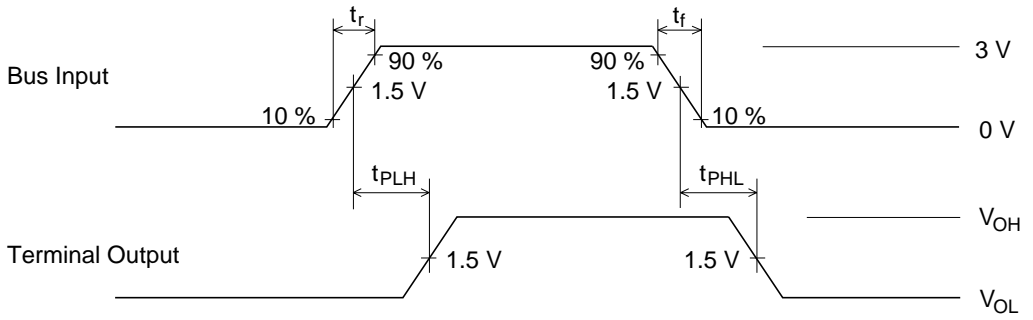
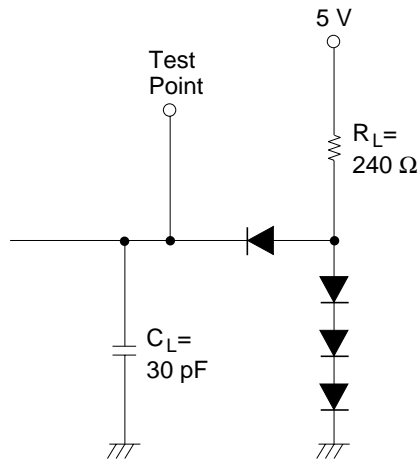
Note: 1. V_{CC} = 5 V, Ta = 25°C

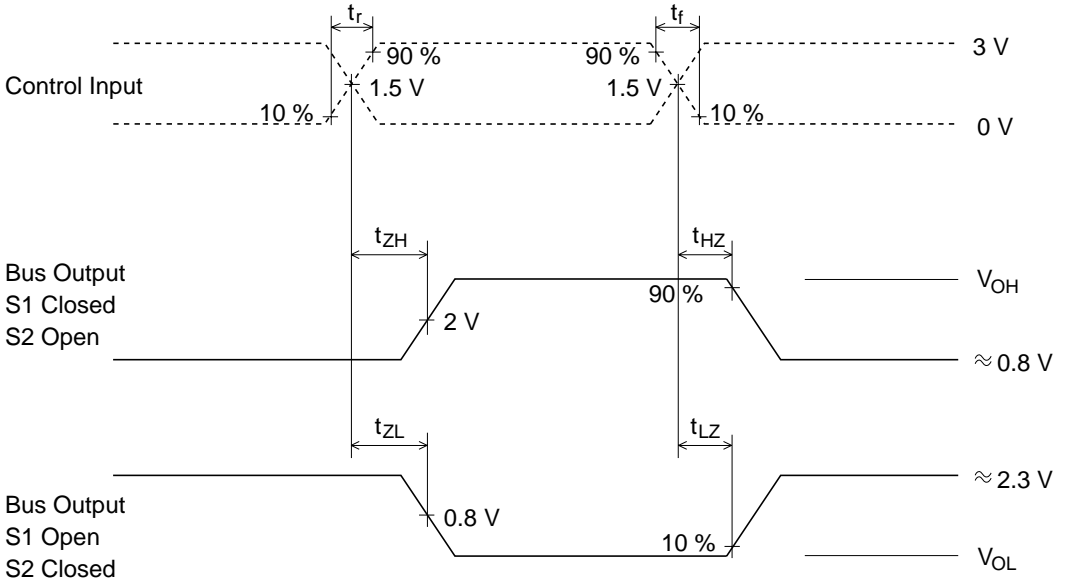
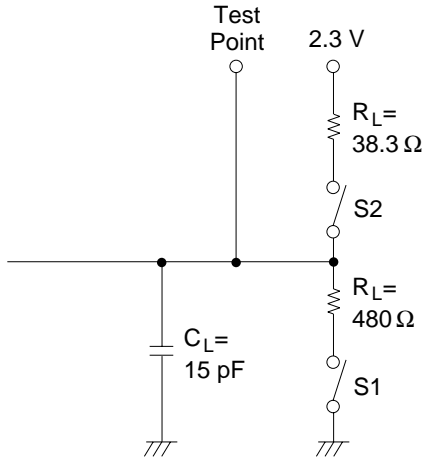
Switching Characteristics ($V_{CC} = 5\text{ V}$, $T_a = 25^\circ\text{C}$)

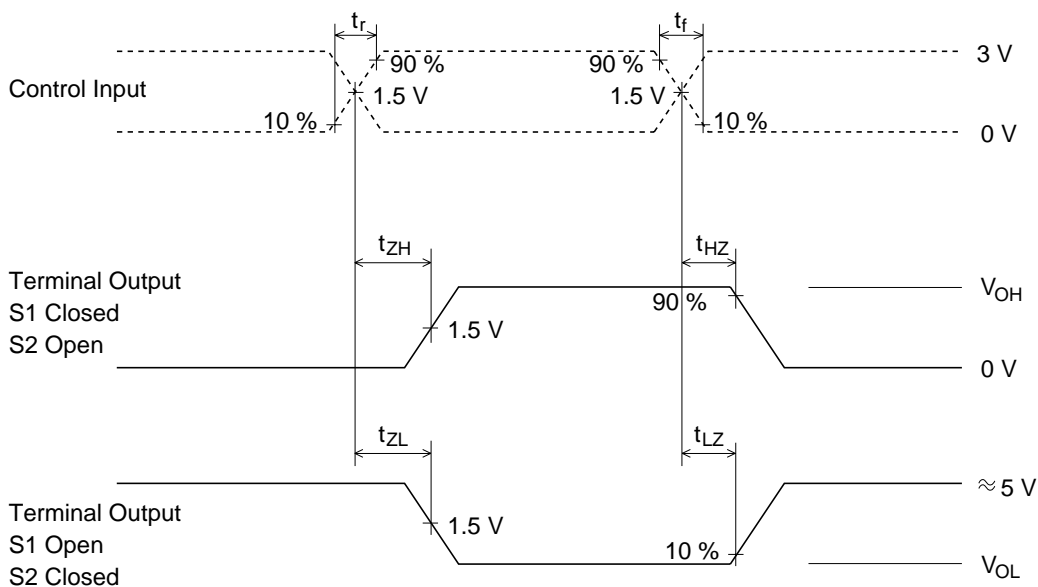
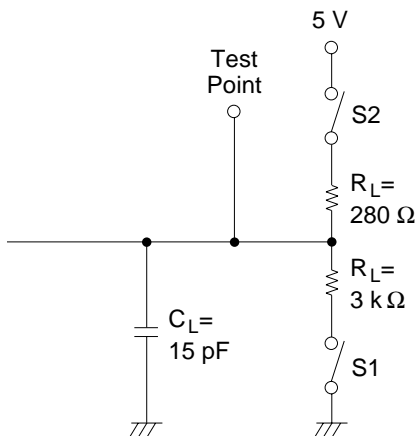
Item	Symbol	Input	Output	Min	Typ	Max	Unit	Test	
								Circuit	Test Conditions
Propagation Delay Time	t_{PLH}	Terminal	BUS	—	14	20	ns	1	$C_L = 30\text{ pF}$
	t_{PHL}			—	14	20			$R_L = 38.3\ \Omega$ to 2.3 V
	t_{PLH}	BUS	Terminal	—	12	20	2	$C_L = 30\text{ pF}$	
	t_{PHL}			—	16	22		$R_L = 240\ \Omega$ to 5 V	
Output Enable Time	t_{ZH}	TE DC	BUS	—	—	60	3	$C_L = 15\text{ pF}$	
Output Disable Time	t_{HZ}		ATTN, EO1	—	—	45		$R_L = 480\ \Omega$ to 0 V	
Output Enable Time	t_{ZL}		REN, IFC	—	—	60	4	$C_L = 15\text{ pF}$	
Output Disable Time	t_{LZ}		and DAY	—	—	55		$R_L = 38.3\ \Omega$ to 2.3 V	
Output Enable Time	t_{ZH}	TE DC	Terminal	—	—	55	4	$C_L = 15\text{ pF}$	
Output Disable Time	t_{HZ}			—	—	50		$R_L = 3\text{ k}\Omega$ to 0 V	
Output Enable Time	t_{ZL}			—	—	45		$C_L = 15\text{ pF}$	
Output Disable Time	t_{LZ}			—	—	55		$R_L = 280\ \Omega$ to 5 V	

Switching Time Test Method





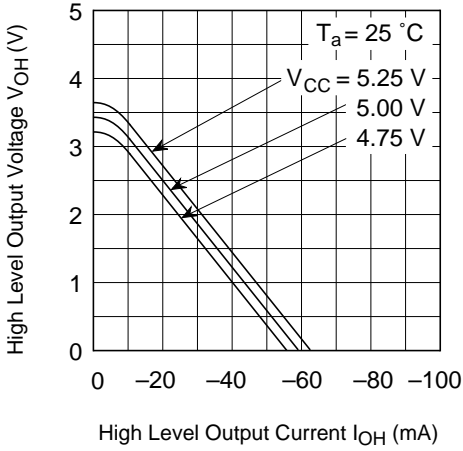




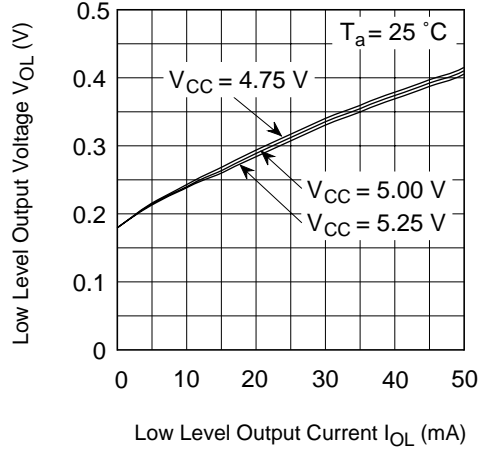
- Notes:
1. The pulse generator has the following characteristics: PRR = 1 MHz, 50% duty cycle, $t_r \leq 6$ ns, $t_f \leq 6$ ns, $Z_{out} = 50 \Omega$
 2. C_L includes probe and jig capacitance.
 3. All diodes are 1S2074(H).

Characteristics Of Driver And Receiver

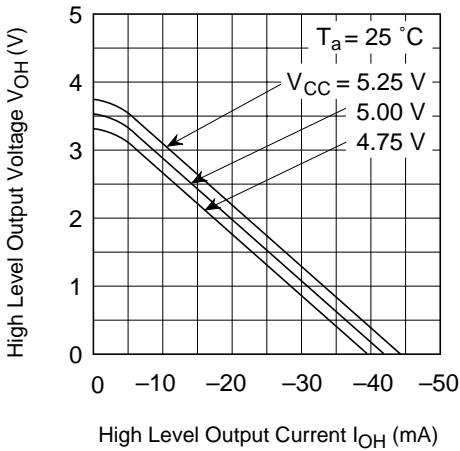
(a) Driver Output



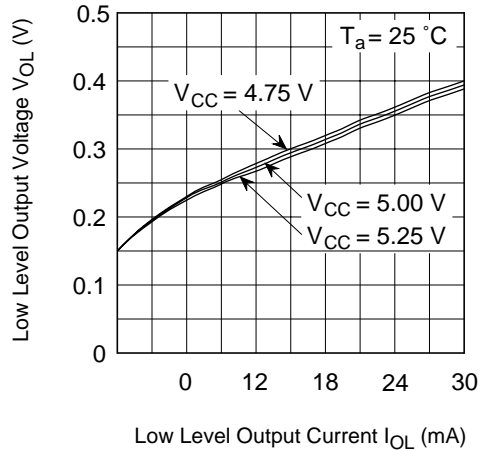
(b) Driver Output



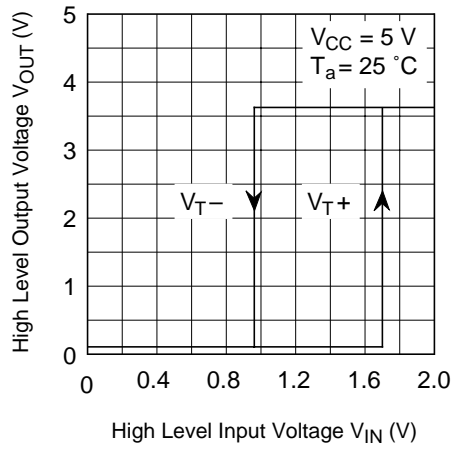
(c) Receiver Output



(d) Receiver Output

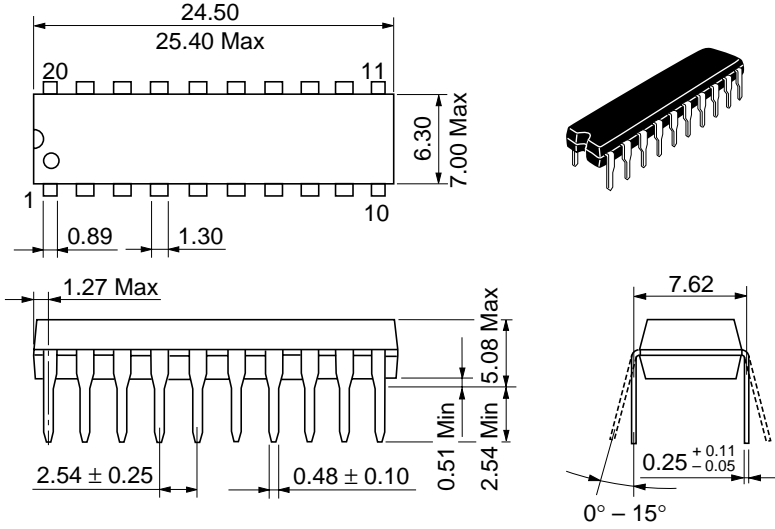


(e) Input / Output Characteristics at Receiver



Package Dimensions

Unit: mm



Hitachi Code	DP-20N
JEDEC	—
EIAJ	Conforms
Mass (reference value)	1.26 g

Cautions

1. Hitachi neither warrants nor grants licenses of any rights of Hitachi's or any third party's patent, copyright, trademark, or other intellectual property rights for information contained in this document. Hitachi bears no responsibility for problems that may arise with third party's rights, including intellectual property rights, in connection with use of the information contained in this document.
2. Products and product specifications may be subject to change without notice. Confirm that you have received the latest product standards or specifications before final design, purchase or use.
3. Hitachi makes every attempt to ensure that its products are of high quality and reliability. However, contact Hitachi's sales office before using the product in an application that demands especially high quality and reliability or where its failure or malfunction may directly threaten human life or cause risk of bodily injury, such as aerospace, aeronautics, nuclear power, combustion control, transportation, traffic, safety equipment or medical equipment for life support.
4. Design your application so that the product is used within the ranges guaranteed by Hitachi particularly for maximum rating, operating supply voltage range, heat radiation characteristics, installation conditions and other characteristics. Hitachi bears no responsibility for failure or damage when used beyond the guaranteed ranges. Even within the guaranteed ranges, consider normally foreseeable failure rates or failure modes in semiconductor devices and employ systemic measures such as fail-safes, so that the equipment incorporating Hitachi product does not cause bodily injury, fire or other consequential damage due to operation of the Hitachi product.
5. This product is not designed to be radiation resistant.
6. No one is permitted to reproduce or duplicate, in any form, the whole or part of this document without written approval from Hitachi.
7. Contact Hitachi's sales office for any questions regarding this document or Hitachi semiconductor products.

HITACHI

Hitachi, Ltd.

Semiconductor & Integrated Circuits.
Nippon Bldg., 2-6-2, Ohte-machi, Chiyoda-ku, Tokyo 100-0004, Japan
Tel: Tokyo (03) 3270-2111 Fax: (03) 3270-5109

URL	North America	: http://semiconductor.hitachi.com/
	Europe	: http://www.hitachi-eu.com/hel/ecg
	Asia	: http://sicapac.hitachi-asia.com
	Japan	: http://www.hitachi.co.jp/Sicd/indx.htm

For further information write to:

Hitachi Semiconductor
(America) Inc.
179 East Tasman Drive,
San Jose, CA 95134
Tel: <1> (408) 433-1990
Fax: <1> (408) 433-0223

Hitachi Europe GmbH
Electronic Components Group
Dornacher Straße 3
D-85622 Feldkirchen, Munich
Germany
Tel: <49> (89) 9 9180-0
Fax: <49> (89) 9 29 30 00

Hitachi Europe Ltd.
Electronic Components Group.
Whitebrook Park
Lower Cookham Road
Maidenhead
Berkshire SL6 8YA, United Kingdom
Tel: <44> (1628) 585000
Fax: <44> (1628) 585160

Hitachi Asia Ltd.
Hitachi Tower
16 Collyer Quay #20-00,
Singapore 049318
Tel: <65>-538-6533/538-8577
Fax : <65>-538-6933/538-3877
URL : <http://www.hitachi.com.sg>

Hitachi Asia Ltd.
(Taipei Branch Office)
4/F, No. 167, Tun Hwa North Road,
Hung-Kuo Building,
Taipei (105), Taiwan
Tel: <886>-(2)-2718-3666
Fax : <886>-(2)-2718-8180
Telex : 23222 HAS-TP
URL : <http://www.hitachi.com.tw>

Hitachi Asia (Hong Kong) Ltd.
Group III (Electronic Components)
7/F., North Tower,
World Finance Centre,
Harbour City, Canton Road
Tsim Sha Tsui, Kowloon,
Hong Kong
Tel : <852>-(2)-735-9218
Fax : <852>-(2)-730-0281
URL : <http://www.hitachi.com.hk>

Copyright © Hitachi, Ltd., 2000. All rights reserved. Printed in Japan.
Colophon 2.0

HITACHI