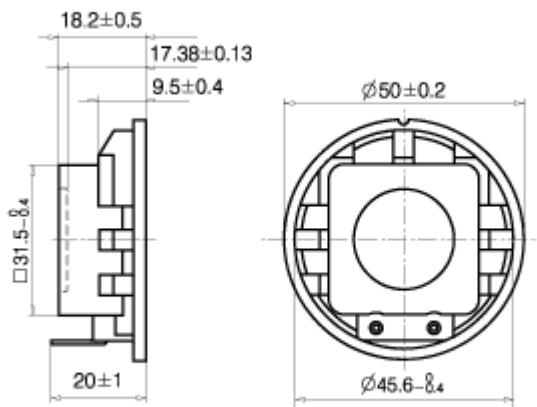




Type	BLS50-7
Rated Impedance(Ω)	$8 \pm 15\%$
Rated(Max.) Power(W)	0.5(1)
Resonant Frequency(Hz)	360_{-80}^0
Rated Freq.Range(Hz)	$f_0 \sim 3400$
Sound Pressure Level(dB)	≥ 83
Magnet(g)	17.2
Operating Temperature($^{\circ}\text{C}$)	$-10 \sim +40$

OEM pin or extended wire with connector



Unit:mm

