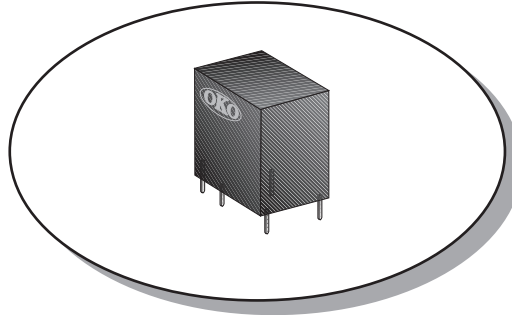


AUTOMOTIVE - Miniature

OKO type K34S

Enclosed versions of the K34N range offering a miniature package with fully sealed 'vented' construction. Silver alloy contacts, with choice of form, rated up to **15A** (carrying). PCB terminations.

- ◆ 1 form A, C, U & W silver alloy
- ◆ Miniature package
- ◆ PCB terminations
- ◆ Fully sealed
- ◆ Rated up to **15A** carry
- ◆ **Automotive** style
- ◆ Very competitively priced



Contacts:

| Type | Make | Break | Carry |
|-----------|------------|---------|---------|
| 1 form A: | 60A | 20A | 15A |
| 1 form C: | NO 60A | 20A | 15A |
| | NC 12A | 10A | 10A |
| 1 form U: | 2 X 40A | 2 X 20A | 2 X 10A |
| 1 form W: | NO 2 X 30A | 2 X 15A | 2 X 7A |
| | NC 2 X 5A | 2 X 5A | 2 X 5A |

DC: 75V, 200W
 AC: 60V, 500VA
 Silver alloy

Coil:

Power consumption 1.1W
 Operating voltage range 65-130% (1 form W 75-130%)

Speed:

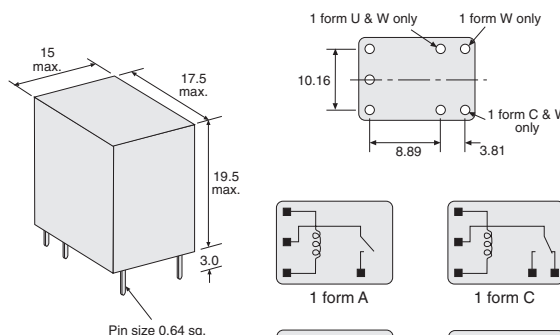
Operating time 3ms
 Release time 1.5ms

Life Expectancy:

Mechanical: 10 x 10⁶ operations min.
 Electrical (DC): 2 x 10⁵ operations min. @10A, 15V

Operating Temperature Range:

-40°C to +85°C



Dimensions (mm)

Footprint (pin view)

Schematics (pin view)

Coil Voltage/Resistance

6Vdc /28Ω
 12Vdc /130Ω
 24Vdc /520Ω

OKO Part No.

| 1 form A | 1 form C | 1 form U | 1 form W |
|----------|----------|----------|----------|
| K34SA06 | K34SC06 | K34SU06 | K34SW06 |
| K34SA12 | K34SC12 | K34SU12 | K34SW12 |
| K34SA24 | K34SC24 | K34SU24 | K34SW24 |

Other contact forms available to special order