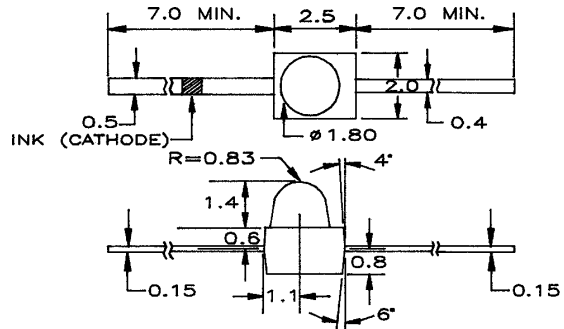


Axial Leaded LED Lamps

FEATURES

- All plastic mold type
- Will fit in small space
- Low current operation



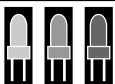
Note: Ultra bright red has reversed polarity.

MAXIMUM RATINGS ($T_a = 25^\circ\text{C}$)

PART NO.	FORWARD CURRENT (I_f) (mA)	REVERSE VOLTAGE (V_r) (V)	POWER DISSIPATION (P_d) (mW)	OPERATING TEMPERATURE (T_{op}) ($^\circ\text{C}$)	STORAGE TEMPERATURE (T_{stg}) ($^\circ\text{C}$)
MT1402A-RG	30	5.0	85	-25~+85	-25~+100
MT2402A-G	30	5.0	85	-25~+85	-25~+100
MT3402A-Y	30	5.0	85	-25~+85	-25~+100
MT4402A-O	30	5.0	85	-25~+85	-25~+100
MT4402A-HR	30	5.0	85	-25~+85	-25~+100
MT7402A-UR	30	4.0	70	-25~+85	-25~+100
MT1302A-RG	30	5.0	85	-25~+85	-25~+100
MT2302A-G	30	5.0	85	-25~+85	-25~+100
MT3302A-Y	30	5.0	85	-25~+85	-25~+100
MT4302A-HR	30	5.0	85	-25~+85	-25~+100
MT7302A-UR	30	4.0	70	-25~+85	-25~+100

OPTO-ELECTRICAL CHARACTERISTICS ($T_a = 25^\circ\text{C}$)

PART NO.	MATERIAL	LENS COLOR	VIEWING ANGLE typ.	LUMINOUS INTENSITY (mcd)			FORWARD VOLTAGE (V)			REVERSE CURRENT		PEAK WAVE LENGTH nm
				min.	typ.	@mA	typ.	max.	@mA	μA	V_r	
MT1402A-RG	GaP	Red Clear	36°	3.0	3.4	20	2.1	3.0	20	100	5	700
MT2402A-G	GaP	Green Clear	36°	10.0	16.7	20	2.1	3.0	20	100	5	567
MT3402A-Y	GaAsP/GaP	Yellow Clear	36°	8.2	13.7	20	2.1	3.0	20	100	5	585
MT4402A-O	GaAsP/GaP	Orange Clear	36°	11.6	18.4	20	2.1	3.0	20	100	5	635
MT4402A-HR	GaAsP/GaP	Red Clear	36°	11.6	18.4	20	2.1	3.0	20	100	5	635
MT7402A-UR	GaAlAs/GaAs	Red Clear	36°	48.0	80.0	20	1.9	2.5	20	100	4	660
MT1302A-RG	GaP	Water Clear	36°	2.0	3.4	20	2.1	3.0	20	100	5	700
MT2302A-G	GaP	Water Clear	36°	10.0	16.7	20	2.1	3.0	20	100	5	567
MT3302A-Y	GaAsP/GaP	Water Clear	36°	8.2	13.7	20	2.1	3.0	20	100	5	585
MT4302A-HR	GaAsP/GaP	Water Clear	36°	11.6	1934	20	2.1	3.0	20	100	5	635
MT7302A-UR	GaAlAs/GaAs	Water Clear	36°	48.0	80.0	20	1.9	2.5	20	100	4	660



marktech
optoelectronics

120 Broadway • Menands, New York 12204

Toll Free: (800) 98-4LEDS • Fax: (518) 432-7454