



1. General Description

The eKM8025 is an Mouse Controller designed to control both USB & PS/2 Mouse device with XY Quadrature. This Mouse Controller can auto detect USB or PS/2 mode, and supports X,Y,Z three axes , and L, R, M, P, N five buttons under both USB and PS2 mode.

2. Features

Universal Serial Bus Specification, version 1.1

USB HID Specification, version 1.11

Auto-detecting PS/2 port or USB port.

Compatible with Microsoft 3D PS/2 mouse.

Support 3D (X,Y,Z) 5 Key (L,R,M,P,N) input.

Support Z/2 Z-axis input type.

Support Agilent HDNS2000、ADNS2051、OM01、OM02、PixArt PAN101BOI/BSI Optical Mouse Sensor.

800DPI simulation by firmware(For eKM8025BBP/ eKM8025BCP/ eKM8025BBM/ eKM8025BCM only).

Applications :

3D, 3 Buttons USB and PS/2 Combo Mouse.

3D, 5 Buttons USB and PS/2 Combo Mouse.



Package :

【400dpi】

18 Pin PDIP (300MIL) eKM8025ABP 3D 3K

18 Pin SOP (300MIL) eKM8025ABM 3D 3K

20 Pin PDIP (300MIL) eKM8025ACP 3D 5K

20 Pin SOP (300MIL) eKM8025ACM 3D 5K

【800 dpi simulation by firmware】

18 Pin PDIP (300MIL) eKM8025BBP 3D 3K

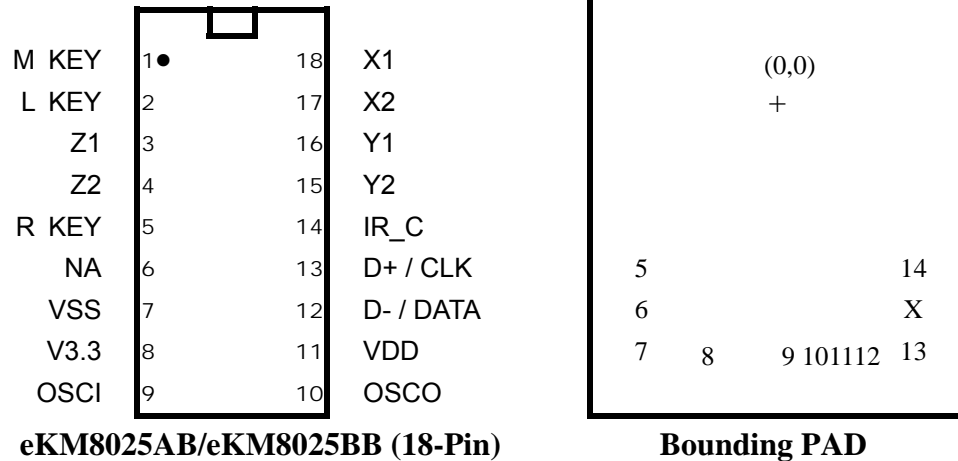
18 Pin SOP (300MIL) eKM8025BBM 3D 3K

20 Pin PDIP (300MIL) eKM8025BCP 3D 5K

20 Pin SOP (300MIL) eKM8025BCM 3D 5K

3. Pin assignment

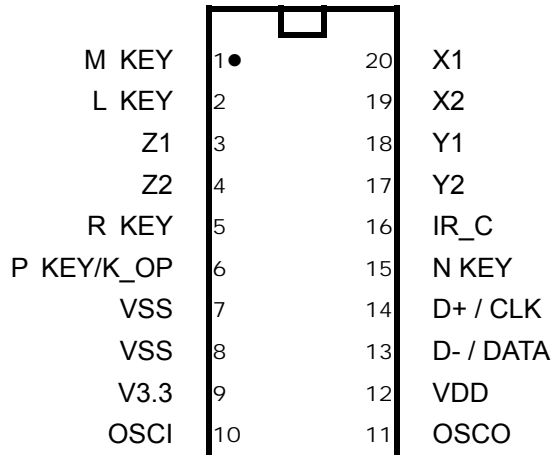
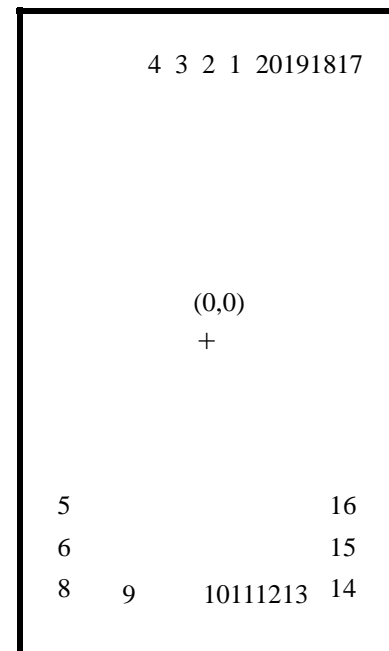
eKM8025AB /eKM8025BB (18-Pin) for 3D3Key



eKM8025AB/eKM8025BB (18-Pin)

Bounding PAD

Symbol	I/O	PIN	Function
M	I	1	Middle Key Input
L	I	2	Left Key Input
Z1	I	3	Z axis Input 1
Z2	I	4	Z axis Input 2
R	I/O	5	Right Key Input
K_OP	I	6	This pin should be connected to V3.3(pin8)
V _{SS}	-	7	GND
V _{3.3V}	O	8	3.3V DC voltage output from internal regulator. This pin has to be tied to a 4.7 μ F capacitor.
OSCI	I	9	6MHz ceramic resonator input.
OSCO	I/O	10	Return path for 6-MHz ceramic resonator.
V _{DD}	-	11	5 V Power Input
D- / DATA	I/O	12	USB D- or PS/2 Data I/O
D+ / CLK	I/O	13	USB D+ or PS/2 CLK I/O
IR_C	O	14	IR(Sensor power) Control Pin. 1
Y2	I	15	Y axis Input 2
Y1	I	16	Y axis Input 1
X2	I	17	X axis Input 2
X1	I	18	X axis Input 1

eKM8025AC/eKM8025BC (20-Pin) for 3D5Key

eKM8025AC/eKM8025BC (20-Pin)

Bounding PAD

Symbol	I/O	PIN	Function
M	I	1	Middle Key Input
L	I	2	Left Key Input
Z1	I	3	Z axis Input 1
Z2	I	4	Z axis Input 2
R	I/O	5	Right Key Input
K_OP	I	6	This pin should be connected to GND with 1M resistance.
P	I	6	Pre Key Input
V _{SS}	-	7,8	GND
V _{3.3V}	O	9	3.3V DC voltage output from internal regulator. This pin has to be tied to a 4.7 μ F capacitor.
OSC1	I	10	6MHz ceramic resonator input.
OSCO	I/O	11	Return path for 6-MHz ceramic resonator.
V _{DD}	-	12	5 V Power Input
D- / DATA	I/O	13	USB D- or PS/2 Data I/O
D+ / CLK	I/O	14	USB D+ or PS/2 CLK I/O
N	I	15	Next Key Input
IR_C	O	16	IR(Sensor power) Control Pin. 1
Y2	I	17	Y axis Input 2
Y1	I	18	Y axis Input 1
X2	I	19	X axis Input 2
X1	I	20	X axis Input 1

4. Function description

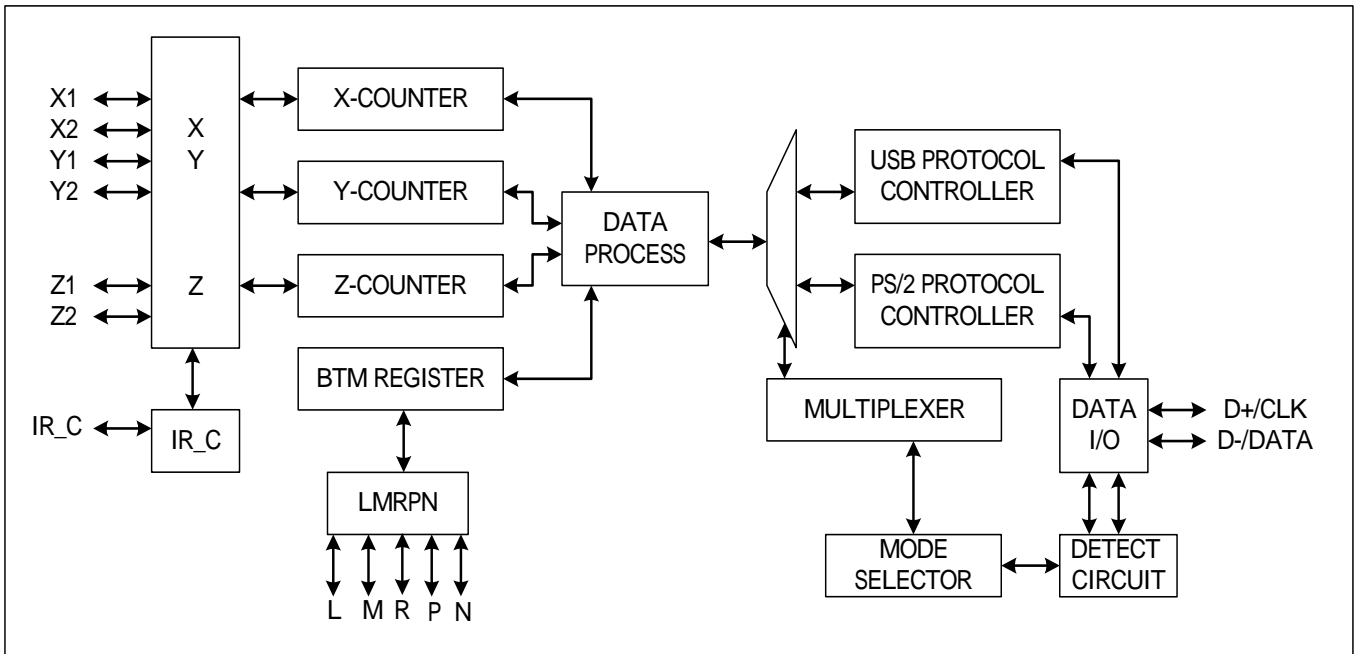
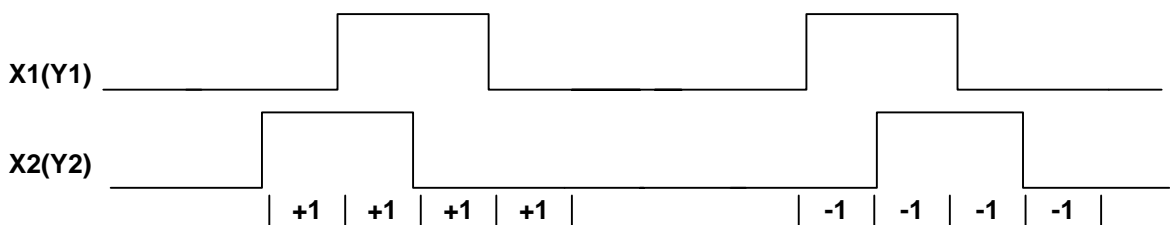


Fig-1 : Function block

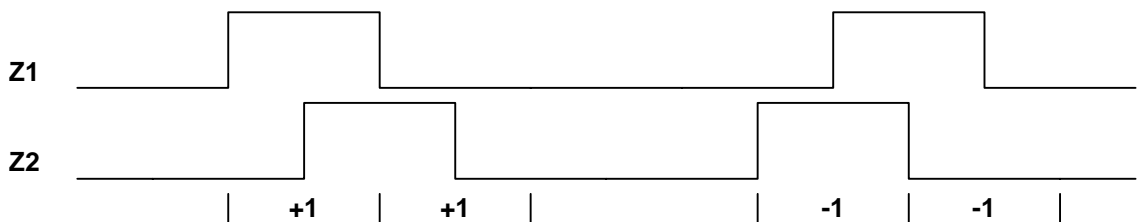
Quadrature Signal Timing Diagram

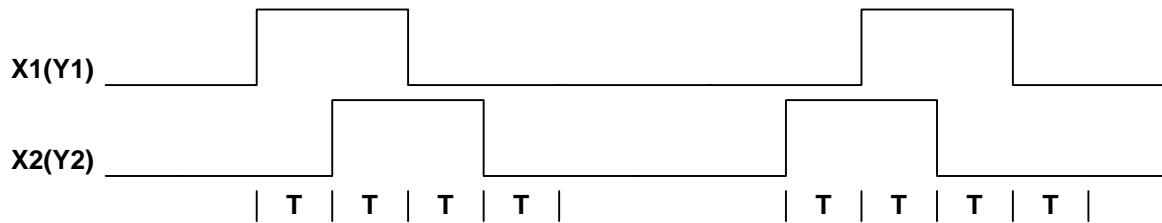
X, Y, Z Axis Counting

XY AXIS COUNTING



Z/2 COUNTING



Quadrature Output Crossed Width Limit


Note : For X(Y) Axis , $T > 40\mu s$

For Z Axis , $T > 1ms$

PS/2 function description
PS/2 Mouse Commands Description

Hex Code	Command	eKM8023 echo code
FF	Reset	FA,AA,00
FE	Resend	XX,(XX,XX)
F6	Set Default	FA
F5	Disable	FA
F4	Enable	FA
F3,XX	Set Sampling Rate	FA,FA
F2	Read Device Type	FA,00
F0	Set Remote Mode	FA
EE	Set Wrap Mode	FA
EC	Reset Wrap Mode	FA
EB	Read Data	FA,XX,XX,XX
EA	Set Stream Mode	FA
E9	Status Request	FA,XX,XX,XX
E8	Set Resolution	FA,FA
E7	Set Autospeed	FA
E6	Reset Autospeed	FA

Microsoft PS/2 scrolling mouse

(A) Entering procedure: Except in WRAP mode, while eKM8023 received the following consecutive command.

- i. F3 C8 ---- set sampling rate 200/sec
- ii. F3 64 ---- set sampling rate 100/sec
- iii. F3 50 ---- set sampling rate 80/sec

(B) Entering procedure: after eKM8023 enter scrolling mouse mode (Mouse ID = 03), while eKM8023 received the following consecutive command.eKM8023 will enter 5 buttons mode Mouse ID:04)

- i F3 C8 ----- set sampling rate 200/sec
- ii F3 C8 ---- set sampling rate 200/sec
- iii F3 50 ---- set sampling rate 80/sec

(C) Operating in PS/2 scrolling mode:

- a. All of the commands in legacy mode still be valid.
- b. The ID code of read device type command (F2) will changed from "00" to be "03".
- c. Data report will be four bytes format:

【3D3Buttons Data Format】

Byte	Bit	Description
1	0	Left button status; 1 = pressed
	1	Right buttson status; 1 = pressed
	2	Middle button status; 1 = pressed
	3	Reserve to 1
	4	X data sign; 1 = negative
	5	Y data sign; 1 = negative
	6	X data overflow; 1 = overflow
2	7	Y data overflow; 1 = overflow
	0-7	X data (D0-D7)
3	0-7	Y data (D0-D7)
4	0-7	Z data (D0-D7)

(D) Operating in 3D5K mode:

- a. All of the commands in legacy mode still be valid.
- b. The ID code of read device type command (F2) will changed from "03" to be "04".
- c. Data report will be four bytes format:

【3D5Buttons Data Format】

Byte	Bit	Description
1	0	Left button status; 1 = pressed
	1	Right button status; 1 = pressed
	2	Middle button status; 1 = pressed
	3	Reserve to 1
	4	X data sign; 1 = negative
	5	Y data sign; 1 = negative
	6	X data overflow; 1 = overflow
2	7	Y data overflow; 1 = overflow
	0-7	X data (D0-D7)
3	0-7	Y data (D0-D7)
4	0-3	Z data (D0-D3)
4	4	P KEY status; 1 = pressed
4	5	N KEY status; 1 = pressed
4	6,7	Reserve to 0

(E) Exiting Microsoft scrolling mode & 3D5K mode:

There are two ways to exit:

- a. Power off.
- b. Reset command (FF).

Z-axis Input Function

The Z0-Z7 limit value is ± 7

Z-axis counter accumulates the Z1, Z2 phase changed by movement. This mode includes noise immunity.

Z/2 : 2 dot per count. The wheel should stay at Z1=0, Z2=0 or Z1=1, Z2=1 Phase



USB function Description

【Descriptor in USB Mode】

Descriptor Type	Byte1	Byte2	Byte3	Byte4	Byte5	Byte6	Byte7	Byte8
Device Descriptor	12	01	10	01	00	00	00	08
	VID1	VID0	PID1	PID0	REV1	REV0	00	02
	00	01						
Configuration Descriptor	09	02	22	00	01	01	00	A0
	32							
Interface Descriptor	09	04	00	00	01	03	01	02
	00							
HID Descriptor	09	21	11	01	00	01	22	34
	00							
Endpoint	07	05	81	03	04	00	0A	
HID Report Descriptor	05	01	09	02	A1	01	09	01
	A1	00	05	09	19	01	29	KEY1
	15	00	25	01	95	KEY1	75	01
	81	02	95	01	75	KEY2	81	03
	05	01	09	30	09	31	09	38
	15	80	25	7F	75	08	95	03
	81	06	C0	C0				

*VID : Vendor ID (Default = 0x04F3).

*PID : Product ID (3D3K MOUSE = 0x0211 ,3D5K MOUSE = 0x0212).

*REV : Revision Number = **0x2400(eKM8025A)/0x2500(eKM8025B)**

*KEY1 : 3D3K MOUSE = 3, 3D5K MOUSE = 5 .

*KEY2 : 3D3K MOUSE = 5, 3D5K MOUSE = 3 .

*Product String : "PS/2+USB Mouse"

【USB Mouse Report Data Type】

Byte0	Bit7	Bit6	Bit5	Bit4	Bit3	Bit2	Bit1	Bit0
	0	0	0	N	P	M	R	L
Byte1	Bit7	Bit6	Bit5	Bit4	Bit3	Bit2	Bit1	Bit0
	X-AXIS							
Byte2	Bit7	Bit6	Bit5	Bit4	Bit3	Bit2	Bit1	Bit0
	Y-AXIS							
Byte3	Bit7	Bit6	Bit5	Bit4	Bit3	Bit2	Bit1	Bit0
	Z-AXIS							

*3D3K MODE , P = N = 0.

5. Absolute Maximum Rating

Symbol	min	Max	unit
Temperature under bias	0	70	°C
Storage temperature	-65	150	°C
Input voltage	-0.5	6.0	V
Output voltage	-0.5	6.0	V

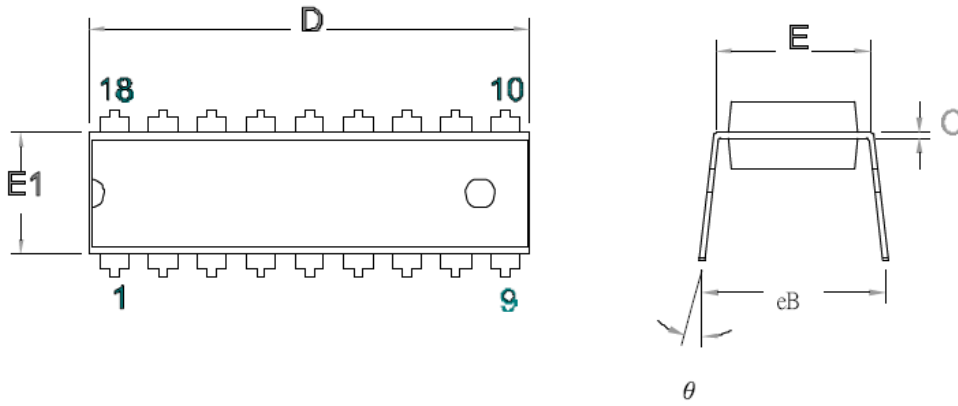
6. Electrical Characteristic

(T = 0°C ~70°C, V_{DD}=4.4~5.2V, V_{SS}=0V)

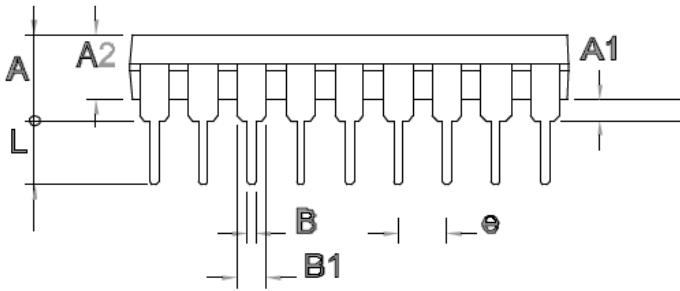
Symbol	Parameter	Condition	Min	Type	Max	Unit
3.3V Regulator						
V _{Rag}	Output voltage of 3.3v Regulator	V _{DD} = 4.2V ~ 5.2V	3.0	3.3	3.6	V
V _{ResetL}	Low Power Reset detecting low Voltage			-	2.3	V
V _{ResetH}	Low Power Reset detecting high Voltage		2.4	-		V
MCU operating						
I _{IL}	Input Leakage Current for input pins	V _{IN} =V _{DD} ,V _{SS}	-	-	1	μA
V _{IHX}	Clock Input High Voltage	OSCI	2.5	-	-	V
V _{ILX}	Clock Input Low Voltage	OSCI	-	-	1.0	V
GPIO Pins						
V _{HL}	High/Low level transfer point	Input		1.1	-	V
V _{OH}	Output High Voltage	I _{Drive} = 5.0mA	2.4	-	-	V
V _{OL}	Output Low Voltage	I _{Sink} = 5.0mA	-	-	0.4	V
I _{PH}	Input current with pull-high resistor	The input pin with internal pull-high resistor of Port6 or port7 is connected to V _{SS} .	-	25	-	μA
I _{PL}	Input current with pull-low resistor	The input pin with internal pull-low resistor of Port6 is connected to V _{DD} .	-	330	-	μA
USB Interface						
V _{OH}	Static Output High	USB operation Mode	2.8	-	3.6	V
V _{OL}	Static Output Low		-	-	0.3	V
V _{DI}	Differential Input Sensitivity		0.2	-	-	V
V _{CM}	Differential Input Command Mode Range		0.8	-	2.5	V
V _{SE}	Single Ended Receiver Threshold	USB operation Mode	0.8	-	2.0	V
C _{IN}	Transceiver Capacitance		-	-	20	pF
V _{RG}	Output Voltage of Internal Regulator		3.0	-	3.6	V
R _{PH}	Internal Pull-high Resistor		-20%	1.5	+20%	k

7. Package Diagram

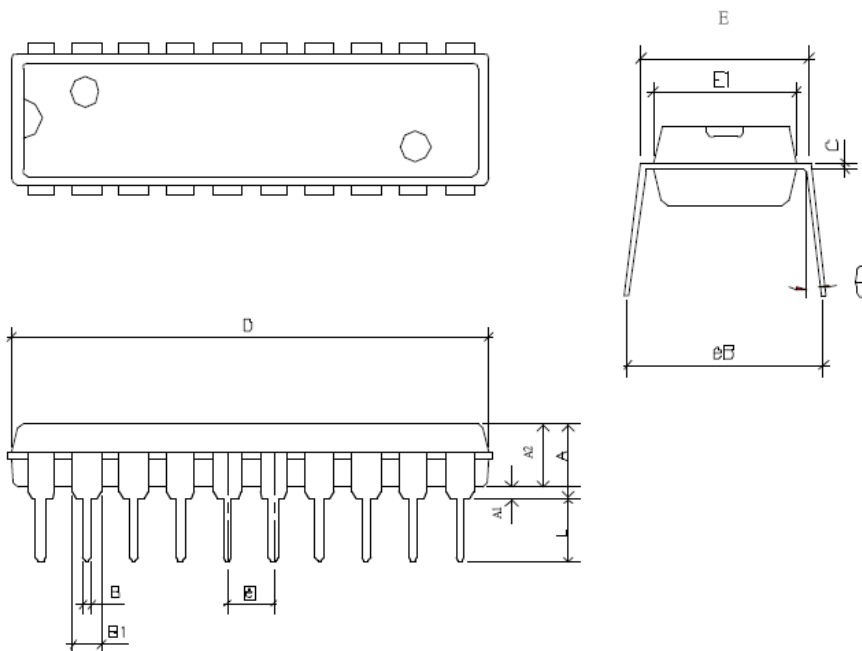
PDIP-18L 300MIL PACKAGE OUTLINE DIMENSION(Unit:mm)



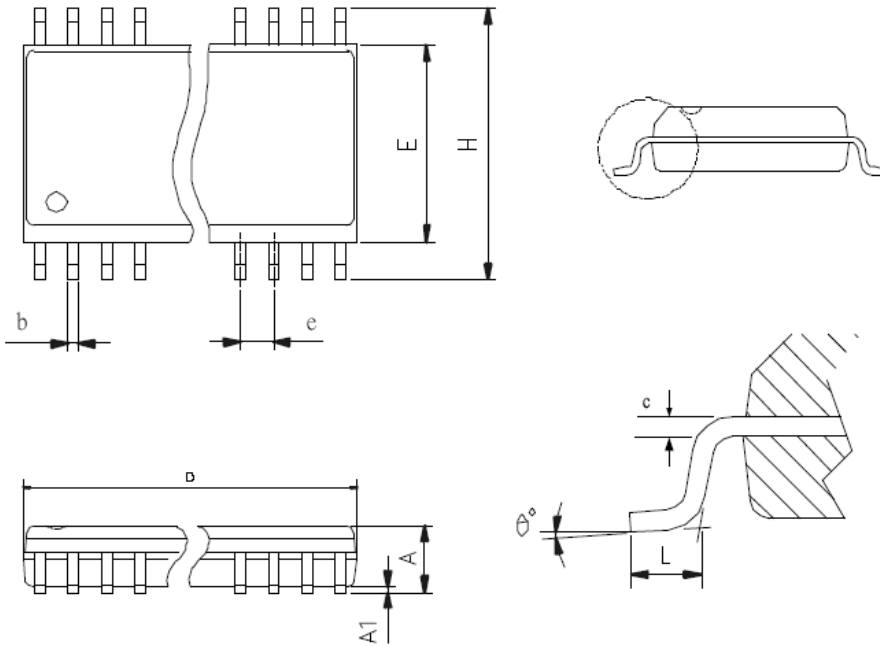
Symbal	Min	Normal	Max
A			4.450
A1	0.381		
A2	3.175	3.302	3.429
c	0.203	0.254	0.356
D	22.610	22.860	23.110
E1	6.220	6.438	6.655
E	7.370	7.620	7.870
eB	8.510	9.020	9.530
B	0.356	0.457	0.559
B1	1.143	1.524	1.778
L	3.048	3.302	3.556
e	2.540(TYP)		
θ	0		15



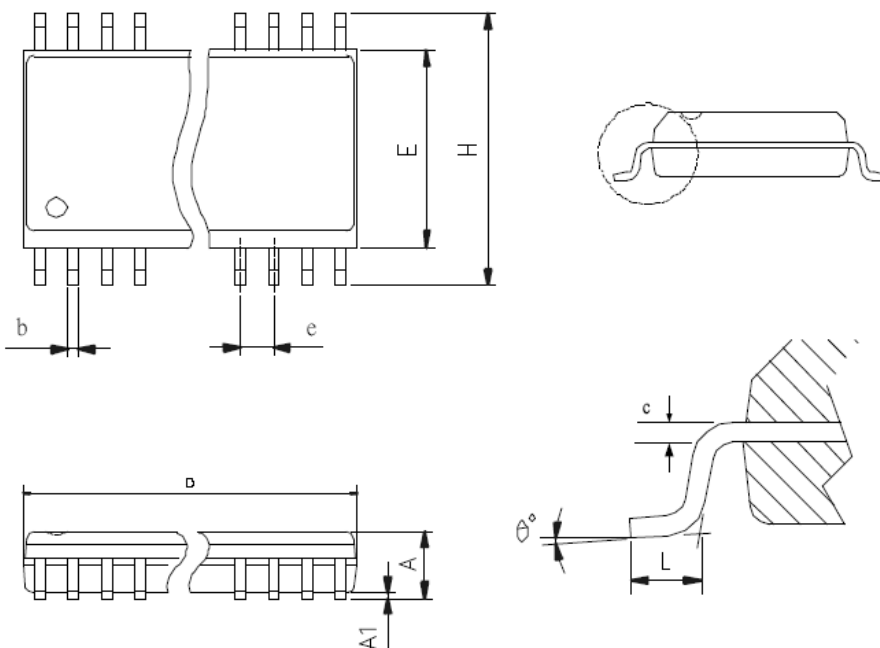
PDIP-20L 300MIL PACKAGE OUTLINE DIMENSION(Unit:mm)



Symbal	Min	Normal	Max
A			4.450
A1	0.381		
A2	3.175	3.302	3.429
c	0.203	0.254	0.356
D	25.883	26.060	26.237
E1	6.220	6.438	6.655
E	7.370	7.620	7.870
eB	8.510	9.020	9.530
B	0.356	0.457	0.559
B1	1.143	1.524	1.778
L	3.048	3.302	3.556
e	2.540(TYP)		
θ	0		15

SOP-18L 300MIL PACKAGE OUTLINE DIMENSION(Unit:mm)


Symbol	Min	Normal	Max
A	2.350		2.650
A1	0.102		0.300
b	0.406(TYP)		
c	0.230		0.320
E	7.400		7.600
H	10.000		10.650
D	11.350		11.750
L	0.406	0.838	1.270
e	1.27(TYP)		
θ	0		8

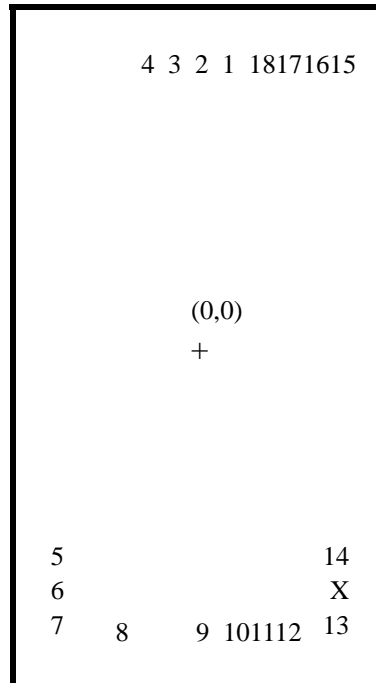
SOP-20L 300MIL PACKAGE OUTLINE DIMENSION(Unit:mm)


Symbol	Min	Normal	Max
A	2.350		2.650
A1	0.102		0.300
b	0.406(TYP)		
c	0.230		0.320
E	7.400		7.600
H	10.000		10.650
D	11.350		11.750
L	0.406	0.838	1.270
e	1.27(TYP)		
θ	0		8



8. Pad List Information

eKM8025AB/eKM8025BB Pad Configuration

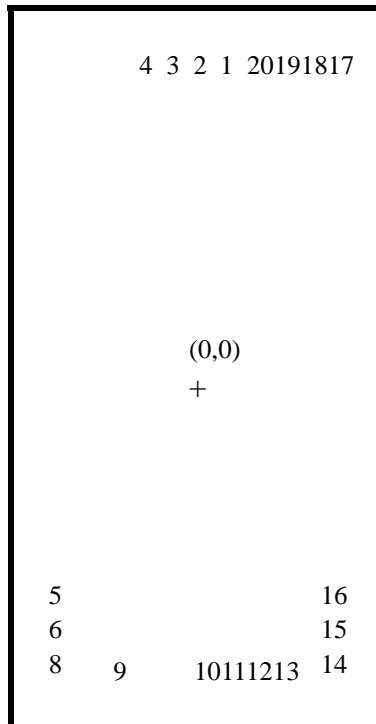


eKM8025AB/eKM8025BB Pad Name & Coordinate Table

Chip Size : 1520*2580 UM		
Pad Number	Pad Name	Pad Coordinate (X, Y)
1	M_KEY	196.5, 1176.7
2	L_KEY	91.5, 1176.7
3	Z1	-13.5, 1176.7
4	Z2	-118.5, 1176.7
5	R_KEY	-652.7, -785
6	K_OP	-652.7, -890
7	VSS	-652.7, -997.5
8	V3.3	-304.45, -1182.6
9	OSCI	44.3, -1182.6
10	OSCO	149.3, -1182.6
11	VDD	256.9, -1182.6
12	D_MNS	364.4, -1182.6
13	D_PLUS	647.3, -1015.8
	NC	647.3, -901.6
14	IR_C	647.3, -796.6
15	Y2	616.5, 1176.7
16	Y1	511.5, 1176.7
17	X2	406.5, 1176.7
18	X1	301.5, 1176.7



eKM8025AC/eKM8025BC Pad Configuration

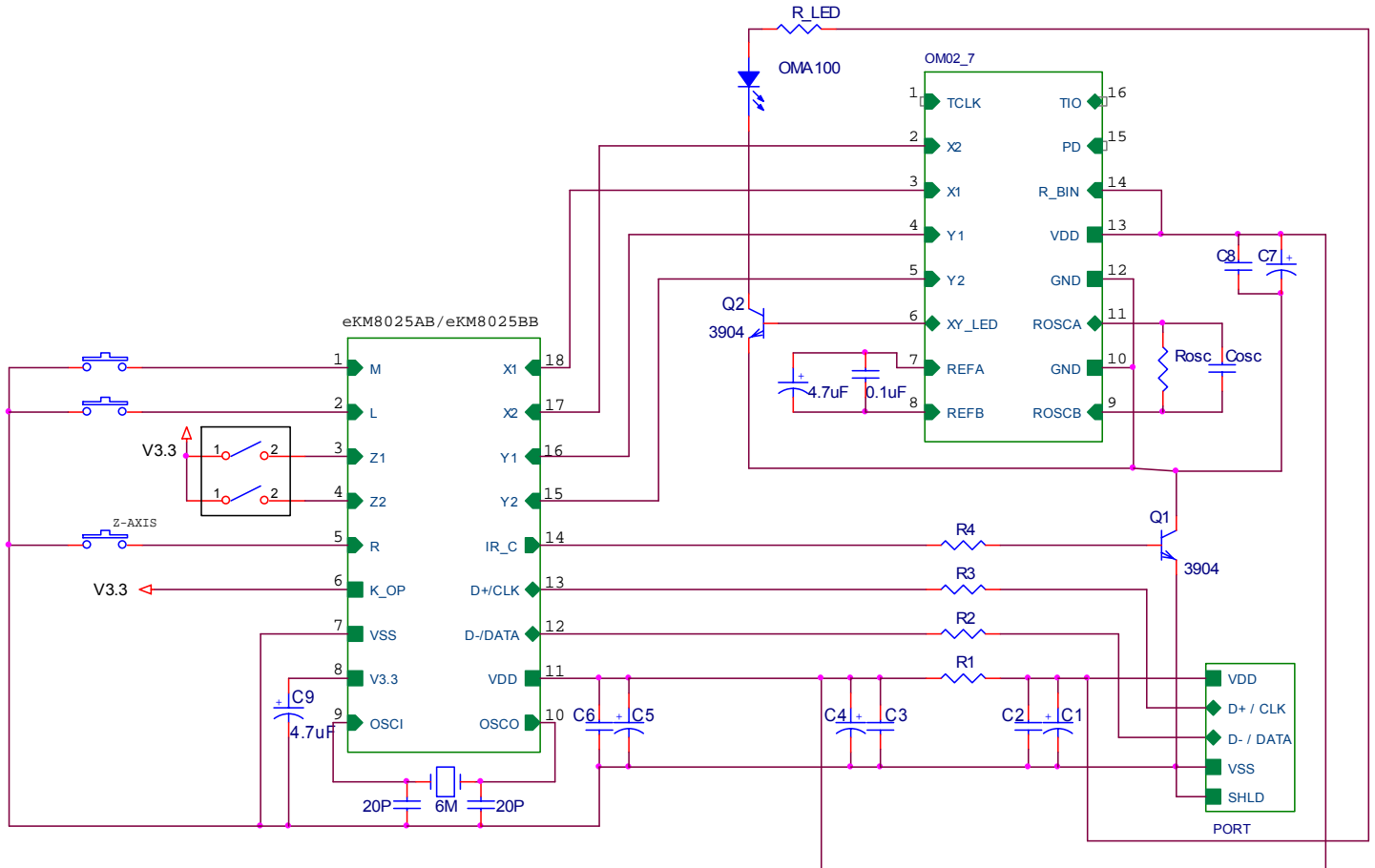


eKM8025AC/eKM8025BC Pad Name & Coordinate Table

Chip Size : 1520*2580 UM		
Pad Number	Pad Name	Pad Coordinate (X, Y)
1	M_KEY	196.5, 1176.7
2	L_KEY	91.5, 1176.7
3	Z1	-13.5, 1176.7
4	Z2	-118.5, 1176.7
5	R_KEY	-652.7, -785
6	P_KEY/K_OP	-652.7, -890
7		
8	VSS	-652.7, -997.5
9	V3.3	-304.45, -1182.6
10	OSCI	44.3, -1182.6
11	OSCO	149.3, -1182.6
12	VDD	256.9, -1182.6
13	D_MNS	364.4, -1182.6
14	D_PLUS	647.3, -1015.8
15	N_KEY	647.3, -901.6
16	IR_C	647.3, -796.6
17	Y2	616.5, 1176.7
18	Y1	511.5, 1176.7
19	X2	406.5, 1176.7
20	X1	301.5, 1176.7

9. Application circuit

NOTICE DIAGRAM



COMPONENTS IN DETAIL

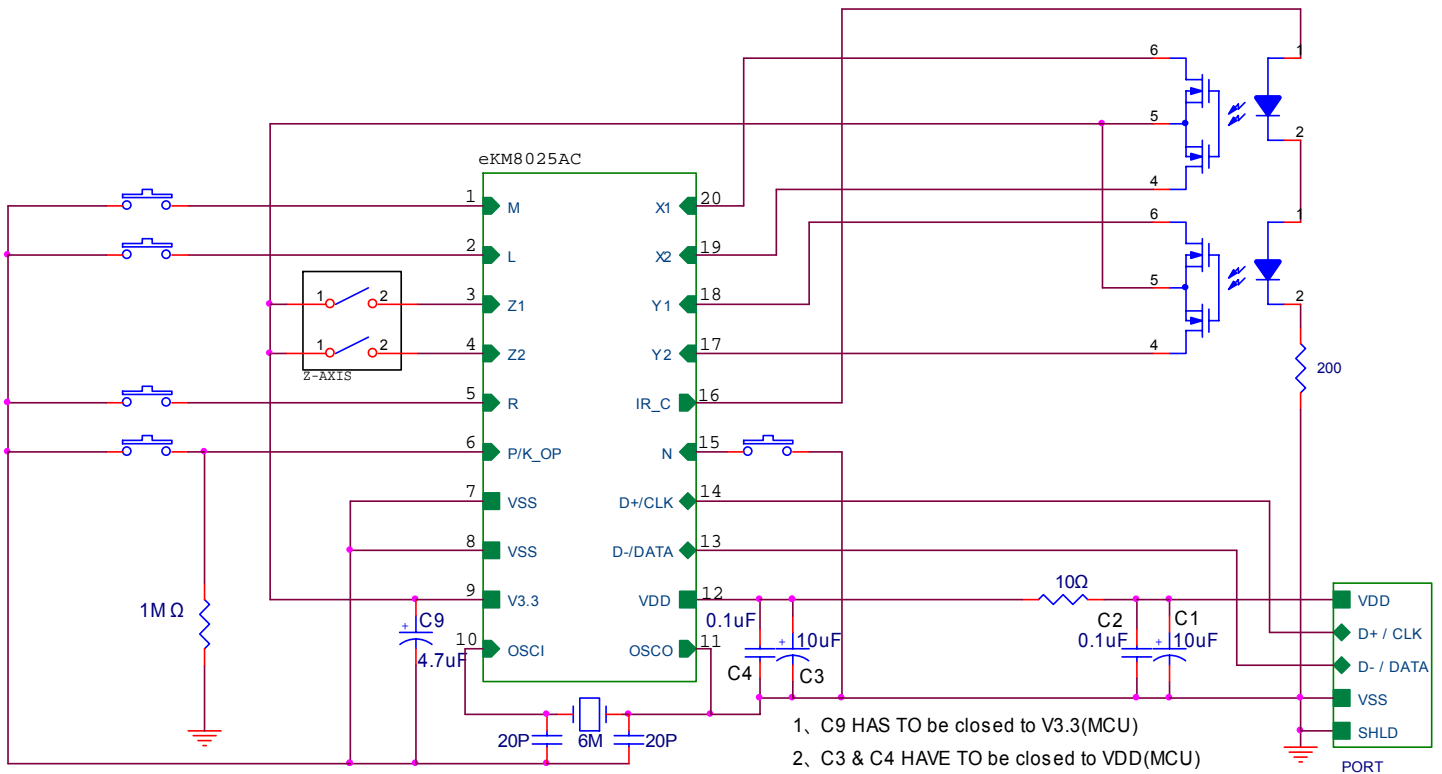
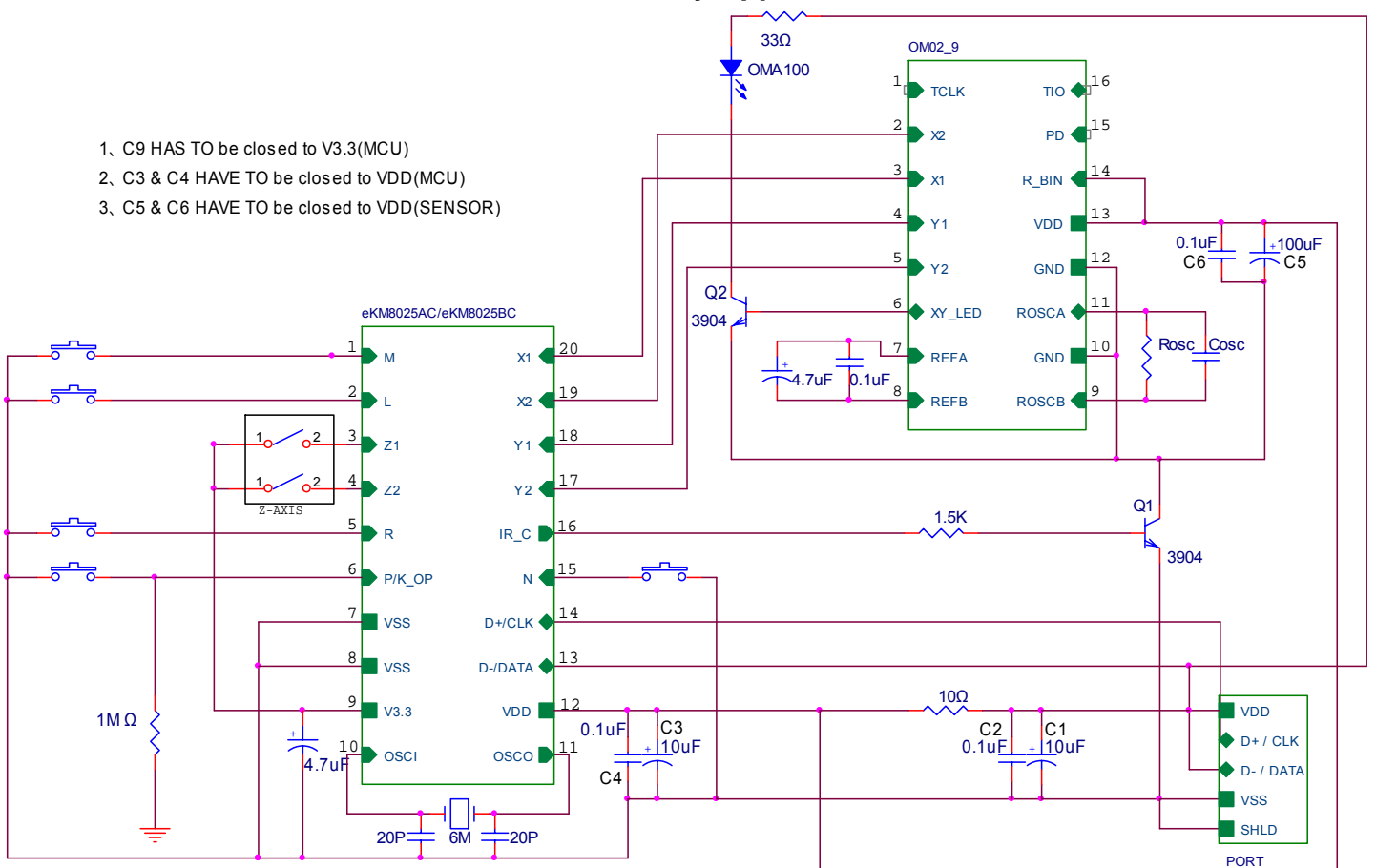
TYPE	R1	R2	R3	R4	C1	C2	C3
NORMAL APPLICATION	10	-	-	1.5K	10uF	0.1uF(104)	-
EFT BETTER IMPROVEMENT		33	33				0.1uF(104)
TYPE	C4	C5	C6	C7	C8	C9	Cosc
NORMAL APPLICATION	-	10uF	0.1uF(104)	100uF	0.1uF(104)	4.7uF	-
EFT BETTER IMPROVEMENT	10uF						1nF(102)

** C5 & C6 have to be closed to MCU(VDD)

** C7 & C8 have to be closed to Sensor(VDD).

** C9 has to be closed to MCU(V3.3)

** It's NOT recommended to use eKM8025B(800DPI) for Ball Type.

eKM8025AC _ Mechanical 3D5Key Application For Ball Type

eKM8025AC/eKM8025BC _ Mechanical 3D5Key Application For OM02


**ELAN (HEADQUARTER) MICROELECTRONICS CORP., LTD.**

Address : No. 12, Innovation 1st. Rd. Science-Based Industrial Park, Hsinchu City, Taiwan.
Telephone: 886-3-5639977
Facsimile : 886-3-5639966

ELAN (H.K.) MICROELECTRONICS CORP., LTD.

Address : Rm. 1005B, 10/F, Empire Centre, 68 Mody Road, Tsimshatsui, Kowloon, Hong Kong.
Telephone: 852-27233376
Facsimile : 852-27237780
E-mail : elanhk@emc.com.hk

ELAN MICROELECTRONICS SHENZHEN, LTD.

Address : SSMEC Bldg. 3F , Gaoxin S. Ave. 1st , South Area , Shenzhen High-tech Industrial Park., Shenzhen
Telephone: 86-755-26010565
Facsimile : 86-755-26010500

ELAN MICROELECTRONICS SHANGHAI, LTD.

Address : #23 Building No.115 Lane 572 BiBo Road. Zhangjiang, Hi-tech Park, Shanghai
Telephone: 86-21-50803866
Facsimile : 86-21-50804600

Elan Information Technology Group.

Address: 1821 Saratoga Avenue, suite 250, Saratoga, CA 95070, USA
Telephone: 1-408-366-8225
Facsimile : 1-408-366-8220

Elan Microelectronics Corp. (Europe)

Address: Dubendorfstrasse 4, 8051 Zurich, Switzerland
Telephone: 41-43-2994060
Facsimile : 41-43-2994079
Email : info@elan-europe.com
Web-Site : www.elan-europe.com

Copyright © 2004 ELAN Microelectronics Corp.

All rights reserved. ELAN owns the intellectual property rights, concepts, ideas, inventions, know-how (whether patentable or not) related to the Information and Technology (herein after referred as "Information and Technology") mentioned above, and all its related industrial property rights throughout the world, as now may exist or to be created in the future. ELAN represents no warranty for the use of the specifications described, either expressed or implied, including, but not limited, to the implied warranties of merchantability and fitness for particular purposes. The entire risk as to the quality and performance of the application is with the user. In no event shall ELAN be liable for any loss or damage to revenues, profits or goodwill or other special, incidental, indirect and consequential damages of any kind, resulting from the performance or failure to perform, including without limitation any interruption of business, whatever resulting from breach of contract or breach of warranty, even if ELAN has been advised of the possibility of such damages.

The specifications of the Product and its applied technology will be updated or changed time by time. All the information and explanations of the Products in this website is only for your reference. The actual specifications and applied technology will be based on each confirmed order.

ELAN reserves the right to modify the information without prior notification. The most up-to-day information is available on the website <http://www.emc.com.tw>.