

Synchronous Buck PWM and Linear Controller with 0.8V Reference Out Voltage
--

Features

- Two Regulated Voltages and REF_OUT
 - Synchronous Buck Converter
 - Linear Regulator
 - REF_OUT = 0.8V±1% with 3mA source current
- Single 12V Power Supply Required
- Excellent Both Output Voltage Regulation
 - 0.8V Internal Reference
 - ±1% Over Line Voltage and Temperature
- Integrated Soft-Start for PWM and Linear Outputs
- 300KHz Fixed Switching Frequency
- Voltage Mode PWM Control Design and Up to 89%(Typ.) Duty Cycle
- Under-Voltage Protection Monitoring Linear Output
- Over-Voltage Protection Monitoring PWM Output
- Over-Current Protection for PWM Output
 - Sense Low-side MOSFET's $R_{DS(ON)}$
- SOP-14, QSOP-16 and QFN-16 packages
- Lead Free Available (RoHS Compliant)

Applications

- Graphic Cards

General Description

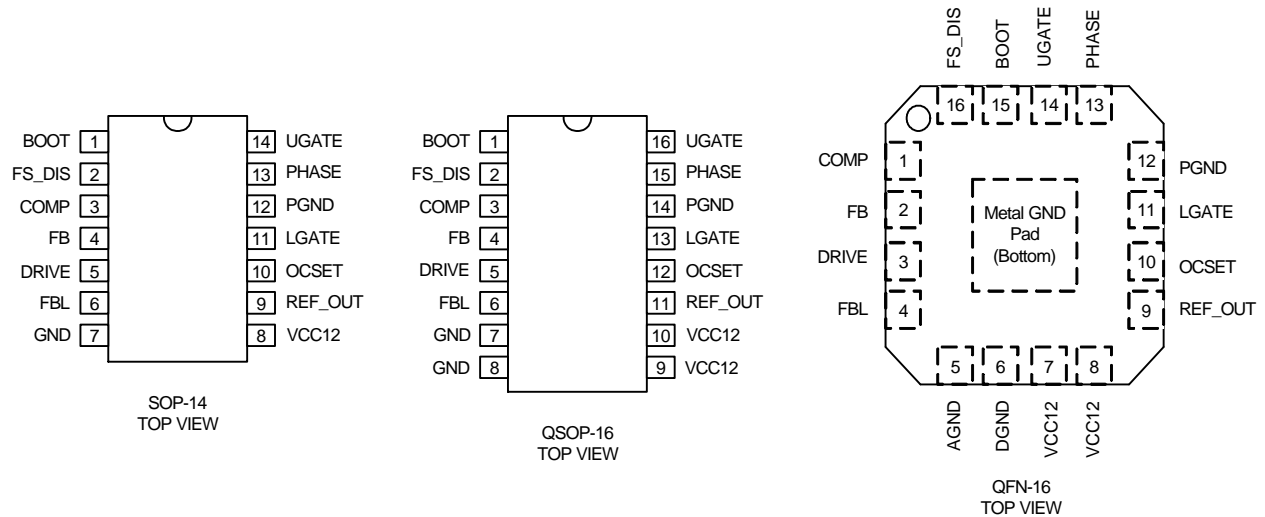
The APW7068 integrates synchronous buck PWM, linear controller, and 0.8V Reference Out Voltage, as well as the monitoring and protection functions into a single package. The fixed 300KHz switching frequency synchronous PWM controller drives dual N-channel MOSFETs, which provides one controlled power output with over-voltage and over-current protections. Linear controller drives an external N-channel MOSFET with under-voltage protection.

The APW7068 provides excellent regulation for output load variation. An internal 0.8V temperature-compensated reference voltage is designed to meet the requirement of low output voltage applications.


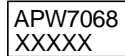

The APW7068 with excellent protection functions: POR, OCP, OVP and UVP. The Power-On Reset (POR) circuit can monitor VCC12 supply voltage exceeds its threshold voltage while the controller is running, and a built-in digital soft-start provides both outputs with controlled rising voltage. The Over-Current Protection (OCP) monitors the output current by using the voltage drop across the lower MOSFET's $R_{DS(ON)}$, comparing with the voltage of OCSET pin. When the output current reaches the trip point, the controller will shutdown the IC directly, and latch the converter's output. The Under-Voltage Protection (UVP) monitors the voltage of FBL pin for short-circuit protection. When the V_{FBL} is less than 50% of V_{REF} , the controller will shutdown the IC directly. The Over-Voltage Protection (OVP) monitors the voltage of FB. When the V_{FB} is over 135% of V_{REF} , the controller will make Low-side gate signal fully turn on until the fault events are removed.

ANPEC reserves the right to make changes to improve reliability or manufacturability without notice, and advise customers to obtain the latest version of relevant information to verify before placing orders.

Pinouts

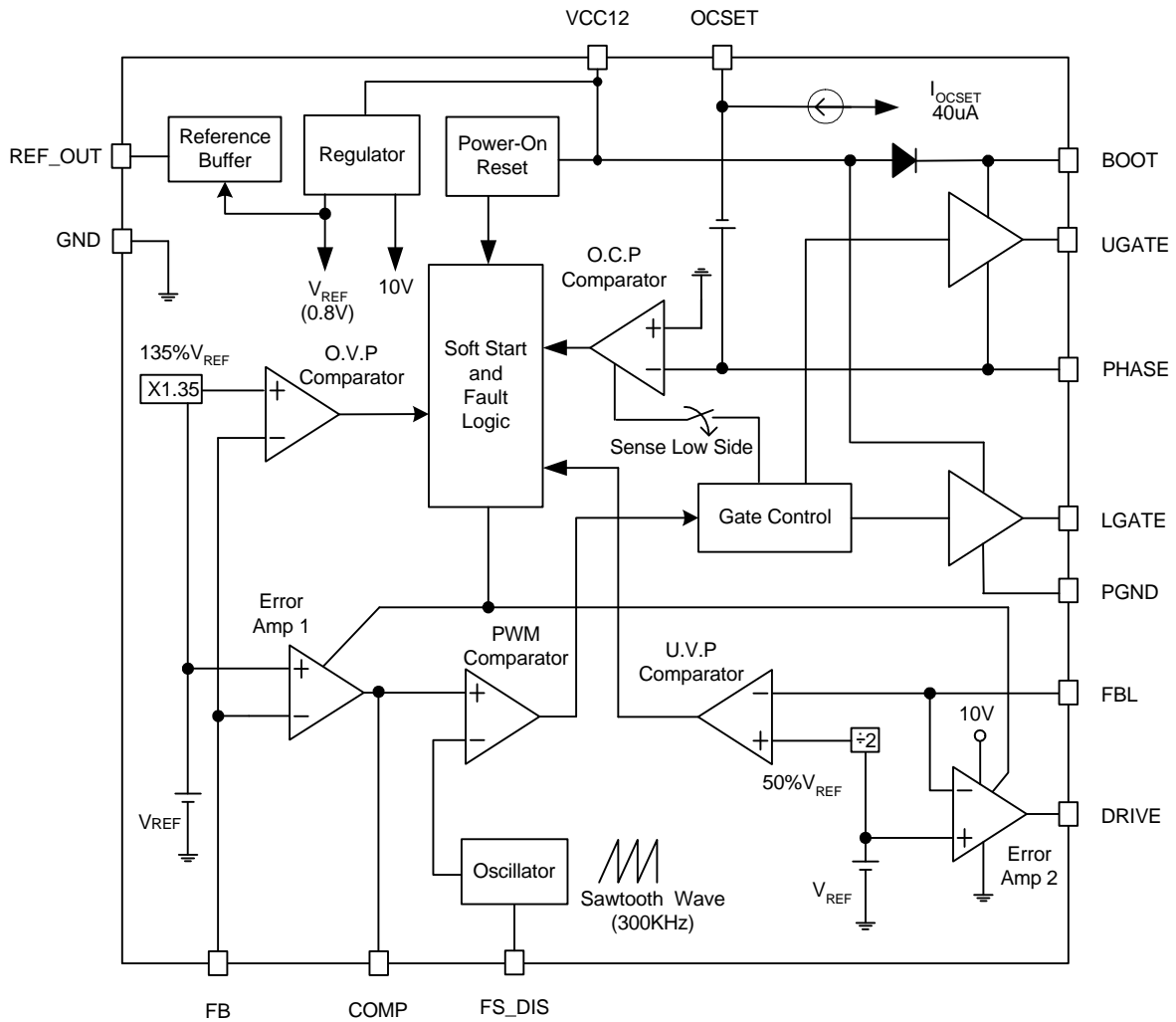


Ordering and Marking Information

<p>APW7068 <input type="checkbox"/><input type="checkbox"/> - <input type="checkbox"/><input type="checkbox"/><input type="checkbox"/><input type="checkbox"/></p> <p>Lead Free Code Handling Code Temp. Range Package Code</p>	<p>Package Code K : SOP - 14 M : QSOP - 16 QA : QFN - 16 Temp. Range E : -20 to 70 °C Handling Code TU : Tube TR : Tape & Reel TY : Tray (for QFN only) Lead Free Code L : Lead Free Device Blank : Original Device</p>
<p>APW7068 K :</p>	 <p>XXXXX - Date Code</p>
<p>APW7068 M :</p>	 <p>XXXXX - Date Code</p>
<p>APW7068 Q :</p>	 <p>XXXXX - Date Code</p>

Note: ANPEC lead-free products contain molding compounds/die attach materials and 100% matte tin plate termination finish; which are fully compliant with RoHS and compatible with both SnPb and lead-free soldering operations. ANPEC lead-free products meet or exceed the lead-free requirements of IPC/JEDEC J STD-020C for MSL classification at lead-free peak reflow temperature.

Block Diagram



Absolute Maximum Ratings

Symbol	Parameter	Rating	Unit
VCC12	VCC12 to GND	-0.3 to +16	V
BOOT	BOOT to PHASE	-0.3 to +16	V
UGATE	UGATE to PHASE <400ns pulse width >400ns pulse width	-5 to BOOT+5 -0.3 to BOOT+0.3	V
LGATE	LGATE to PGND <400ns pulse width >400ns pulse width	-5 to VCC12+5 -0.3 to VCC12+0.3	V
PHASE	PHASE to GND <400ns pulse width >400ns pulse width	-5 to +21 -0.3 to 16	V
DRIVE	DRIVE to GND	12	V
FB, FBL, COMP, FS_DIS	FB, FBL, COMP, FS_DIS to GND	-0.3 to 7	V

Absolute Maximum Ratings (Cont.)

Symbol	Parameter	Rating	Unit
PGND	PGND to GND	-0.3 to +0.3	V
T _J	Junction Temperature Range	-20 to +150	°C
T _{STG}	Storage Temperature	-65 ~ 150	°C
T _{SDR}	Soldering Temperature (10 Seconds)	300	°C
V _{ESD}	Minimum ESD Rating	±2	KV

NOTE1: Absolute Maximum Ratings are those values beyond which the life of a device may be impaired.

Exposure to absolute maximum rating conditions for extended periods may affect device reliability.

NOTE2: The device is ESD sensitive. Handling precautions are recommended.

Recommended Operating Conditions

Symbol	Parameter	Rating	Unit
VCC12	IC Supply Voltage	10.8 to 13.2	V
V _{IN1}	Converter Input Voltage	2.9 to 13.2	V
V _{OUT1}	Converter Output Voltage	0.9 to 5	V
I _{OUT1}	Converter Output Current	0 to 30	A
I _{OUT2}	Linear Output Current	0 to 3	A
T _A	Ambient Temperature Range	-20 to 70	°C
T _J	Junction Temperature Range	-20 to 125	°C

Electrical Characteristics

Unless otherwise specified, these specifications apply over VCC12=12V, and T_A = -20~70°C. Typical values are at T_A=25°C.

Symbol	Parameter	Test Conditions	APW7068			Unit
			Min	Typ	Max	
INPUT SUPPLY CURRENT						
I _{CC12}	VCC12 Supply Current (Shutdown mode)	UGATE, LGATE and DRIVE open; FS_DIS=GND		4	6	mA
	VCC12 Supply Current	UGATE, LGATE and DRIVE open		8	12	mA
POWER-ON RESET						
	Rising VCC12 Threshold		7.7	7.9	8.1	V
	Falling VCC12 Threshold		7.2	7.4	7.6	V
OSCILLATOR						
	Accuracy		-15		+15	%
F _{OSC}	Oscillator Frequency		255	300	345	KHz
V _{OSC}	Ramp Amplitude	(nominal 1.2V to 2.7V) (NOTE3)		1.5		V
Duty	Maximum Duty Cycle			89		%

Electrical Characteristics (Cont.)

Unless otherwise specified, these specifications apply over VCC12=12V, and T_A = -20~70°C. Typical values are at T_A=25°C.

Symbol	Parameter	Test Conditions	APW7068			Unit
			Min	Typ	Max	
REFERENCE						
V _{REF}	Reference Voltage	for Error Amp1 and Amp2	0.792	0.80	0.808	V
	Reference Voltage Tolerance		-1		+1	%
	PWM Load Regulation	I _{OUT1} =0 to 10A			1	%
	Linear Load Regulation	I _{OUT2} =0 to 3A			1	%
PWM ERROR AMPLIFIER						
Gain	Open Loop Gain	R _L =10k, C _L =10pF (NOTE3)		93		dB
GBWP	Open Loop Bandwidth	R _L =10k, C _L =10pF (NOTE3)		20		MHz
SR	Slew Rate	R _L =10k, C _L =10pF (NOTE3)		8		V/us
	FB Input Current	V _{FB} =0.8V		0.1	1	uA
V _{COMP}	COMP High Voltage			5		V
V _{COMP}	COMP Low Voltage			0		V
I _{COMP}	COMP Source Current	COMP=2V		12		mA
I _{COMP}	COMP Sink Current	COMP=2V		12		mA
GATE DRIVERS						
I _{UGATE}	Upper Gate Source Current	BOOT=12V, UGATE-PHASE = 2V		2.5		A
I _{UGATE}	Upper Gate Sink Current			2		A
I _{LGATE}	Lower Gate Source Current	VCC12=12V, LGATE=2V		2.5		A
I _{LGATE}	Lower Gate Sink Current			3.5		A
R _{UGATE}	Upper Gate Source Impedance	BOOT=12V, I _{UGATE} =0.1A		2.25	3.375	Ω
R _{UGATE}	Upper Gate Sink Impedance	BOOT=12V, I _{UGATE} =0.1A		0.7	1.05	Ω
R _{LGATE}	Lower Gate Source Impedance	VCC12=12V, I _{LGATE} =0.1A		2.25	3.375	Ω
R _{LGATE}	Lower Gate Sink Impedance	VCC12=12V, I _{LGATE} =0.1A		0.4	0.6	Ω
T _D	Dead Time			20		nS
LINEAR REGULATOR						
Gain	Open Loop Gain	R _L =10k, C _L =10pF (NOTE3)		70		dB
GBWP	Open Loop Bandwidth	R _L =10k, C _L =10pF (NOTE3)		19		MHz
SR	Slew Rate	R _L =10k, C _L =10pF (NOTE3)		6		V/us
	FBL Input Current	V _{FBL} =0.8V		0.1	1	uA
V _{DRIVE}	DRIVE High Voltage			10		V
V _{DRIVE}	DRIVE Low Voltage			0		V
I _{DRIVE}	DRIVE Source Current	DRIVE=5V		4		mA
I _{DRIVE}	DRIVE Sink Current	DRIVE=5V		3		mA

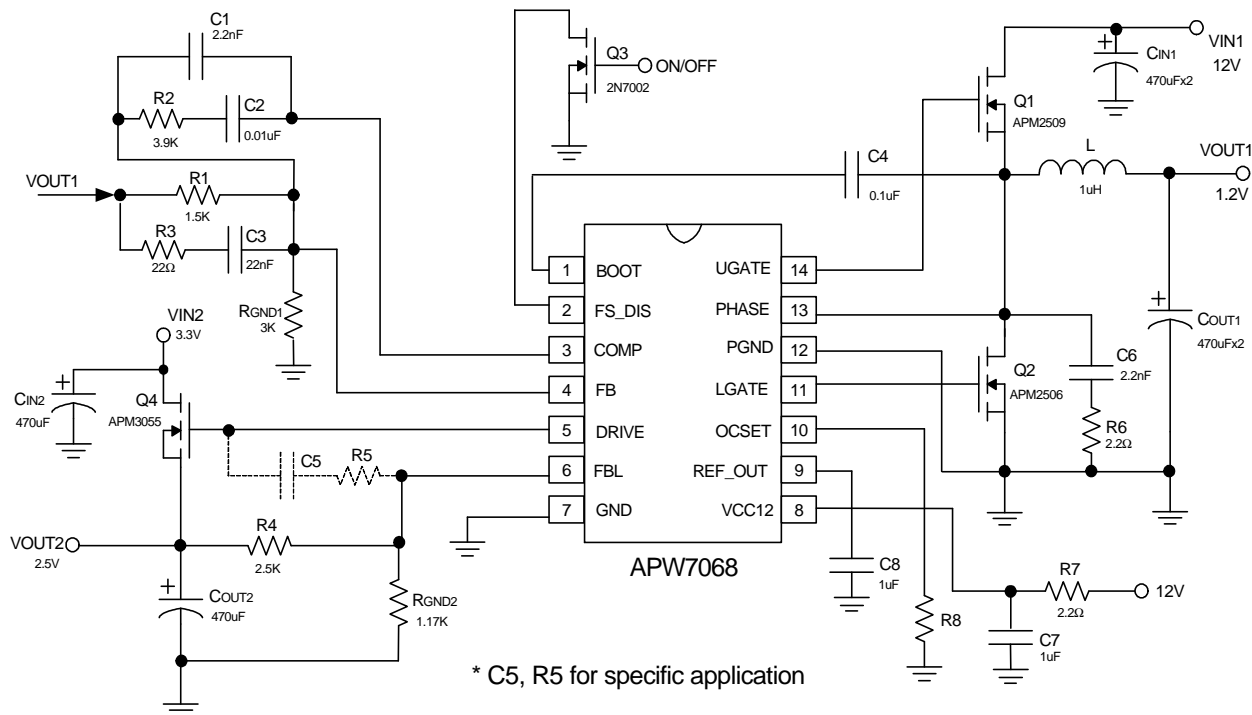
Electrical Characteristics (Cont.)

Unless otherwise specified, these specifications apply over $V_{CC12}=12V$, and $T_A = -20\sim 70^\circ C$. Typical values are at $T_A=25^\circ C$.

Symbol	Parameter	Test Conditions	APW7068			Unit
			Min	Typ	Max	
PROTECTION						
V_{FB-OV}	FB Over Voltage Protection Trip Point	Percent of V_{REF}		135		%
V_{FBL-UV}	FBL Under Voltage Protection Trip Point	Percent of V_{REF}		50		%
I_{OCSET}	OCSET Current Source		36	40	44	μA
SOFT START						
T_{SS}	Internal Soft-Start Interval (NOTE3)	$F_{OSC}=300kHz$		8.5		ms
REF_OUT						
V_{REF_OUT}	Output Voltage		0.792	0.800	0.808	V
	Offset Voltage		-8		+8	mV
I_{REF_OUT}	Source Current		1.5	3		mA
	Sink Current		0.25	0.5		mA
	Output Capacitance		0.4	1	2.2	μF

NOTE3: Guaranteed by design.

Typical Application Circuit



Function Pin Descriptions

VCC12

Power supply input pin. Connect a nominal 12V power supply to this pin. The power-on reset function monitors the input voltage at this pin. It is recommended that a decoupling capacitor (1 to 10 μ F) be connected to GND for noise decoupling.

BOOT

This pin provides the bootstrap voltage to the upper gate driver for driving the N-channel MOSFET. An external capacitor from PHASE to BOOT, an internal diode, and the power supply voltage VCC12, generates the bootstrap voltage for the upper gate driver (UGATE).

PHASE

This pin is the return path for the upper gate driver. Connect this pin to the upper MOSFET source, and connect a capacitor to BOOT for the bootstrap voltage. This pin is also used to monitor the voltage drop across the lower MOSFET for over-current protection.

GND

This pin is the signal ground pin. Connect the GND pin to a good ground plane.

PGND

This pin is the power ground pin for the lower gate driver. It should be tied to GND pin on the board.

COMP

This pin is the output of PWM error amplifier. It is used to set the compensation components.

FB

This pin is the inverting input of the PWM error amplifier. It is used to set the output voltage and the compensation components. This pin is also monitored for over-voltage protection. When the FB voltage is over 135% of reference voltage, the controller will make Low-side gate signal fully turn on until the fault events are removed.

UGATE

This pin is the gate driver for the upper MOSFET of PWM output.

LGATE

This pin is the gate driver for the lower MOSFET of PWM output.

DRIVE

This pin drives the gate of an external N-channel MOSFET for linear regulator. It is also used to set the compensation for some specific applications, for example, with low values of output capacitance and ESR.

FBL

This pin is the inverting input of the linear regulator error amplifier. It is used to set the output voltage. This pin is also monitored for under-voltage protection. When the FBL voltage is under 50% of reference voltage (0.4V), both outputs will be shutdown immediately.

OCSET

Connect a resistor (Rocset) from this pin to GND, an internal 40 μ A current source will flow through this resistor and create a voltage drop. When VCC12 reaches the POR rising threshold voltage, the voltage drop of Rocset will be memoried and compared with the voltage across the lower MOSFET. The threshold of the over current limit is therefore given by:

$$I_{LIMIT} = \frac{I_{OCSET} \times R_{OCSET}}{R_{DS(ON)}(LOW - Side)}$$

REF_OUT

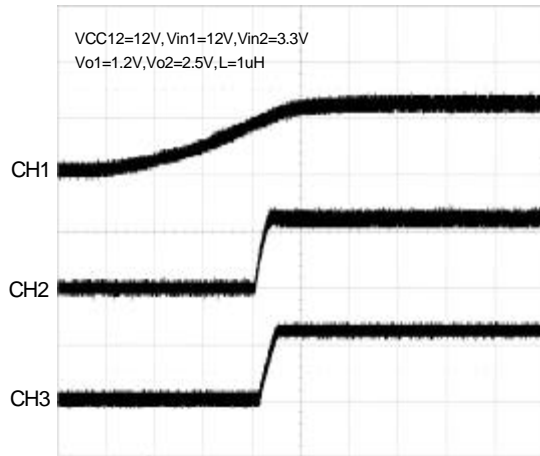
This pin provides a buffered voltage, which is from internal reference voltage. It is recommended that a 1 μ F capacitor is connected to ground for stability.

FS_DIS

This pin provides shutdown function. Use an open drain logic signal to pull this pin low to disable both outputs, leave open to enable both outputs.

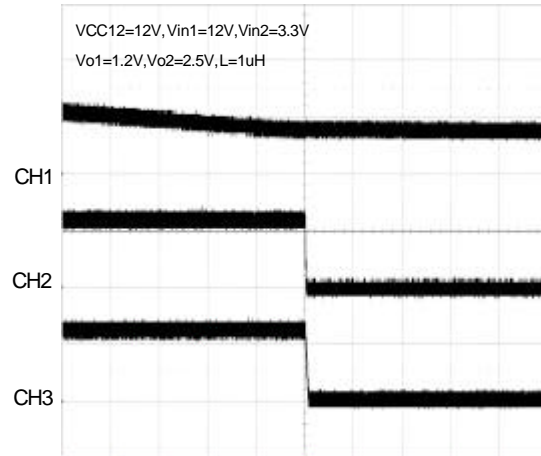
Typical Characteristics

Power On



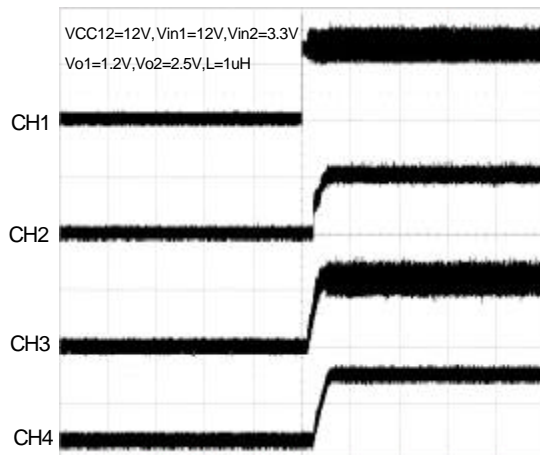
CH1: VCC12 (10V/div)
CH2: Vo1 (1V/div)
CH3: Vo2 (2V/div)
Time: 10ms/div

Power Off



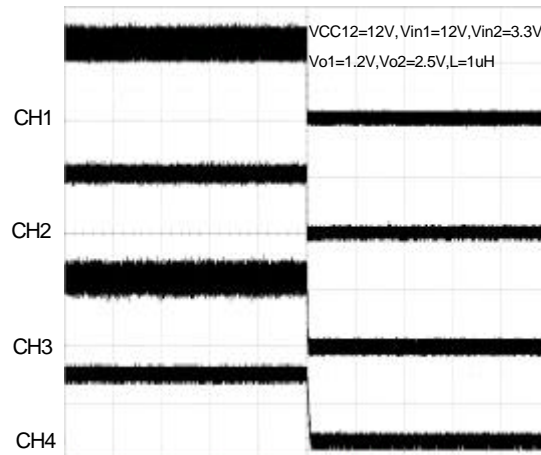
CH1: VCC12 (10V/div)
CH2: Vo1 (1V/div)
CH3: Vo2 (2V/div)
Time: 10ms/div

EN



CH1: FS_DIS (1V/div)
CH2: Drive (5V/div)
CH3: Vo1 (1V/div)
CH4: Vo2 (2V/div)
Time: 10ms/div

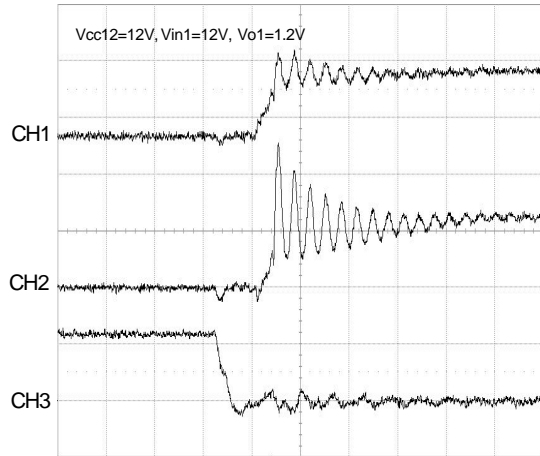
Shutdown(FS_DIS=GND)



CH1: FS_DIS (1V/div)
CH2: Drive (5V/div)
CH3: Vo1 (1V/div)
CH4: Vo2 (2V/div)
Time: 10ms/div

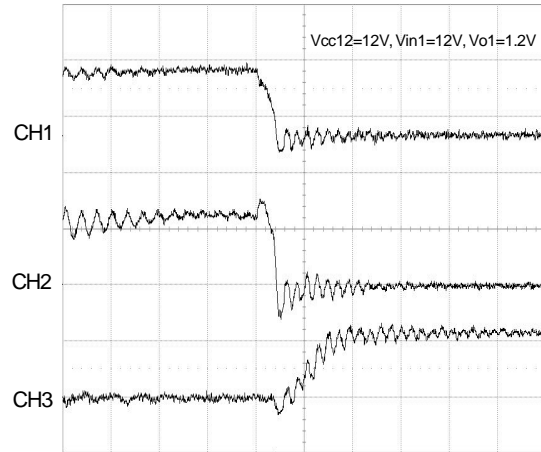
Typical Characteristics (Cont.)

UGATE Rising



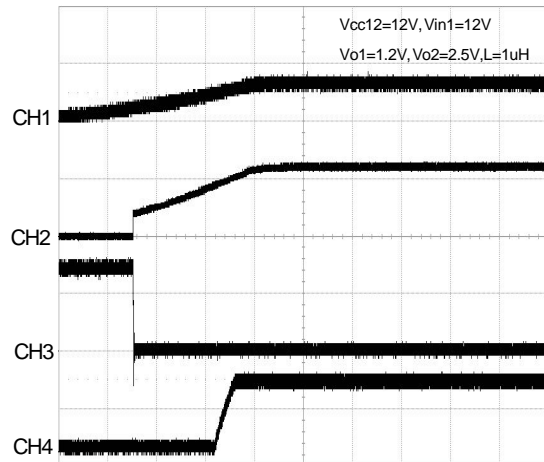
CH1: Ug (20V/div)
 CH2: Phase (10V/div)
 CH3: Lg (10V/div)
 Time: 50ns/div

UGATE Falling



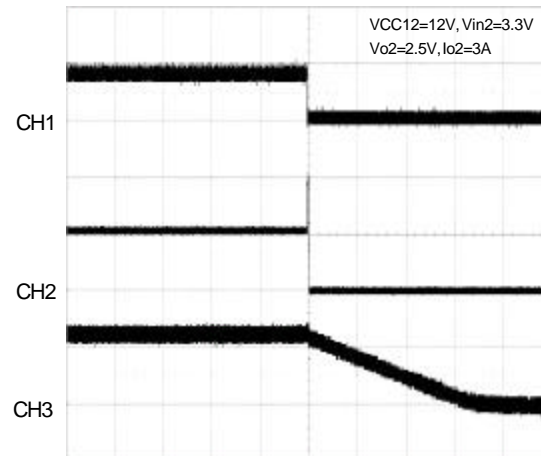
CH1: Ug (20V/div)
 CH2: Phase (10V/div)
 CH3: Lg (10V/div)
 Time: 50ns/div

OVP_PWM Controller (FB > 135% V_{REF})



CH1: VCC (20V/div)
 CH2: LG (10V/div)
 CH3: Vo1 (500mV/div)
 CH4: Vo2 (2V/div)
 Time: 10ms/div

UVP_Linear Regulator (FBL < 50% V_{REF})

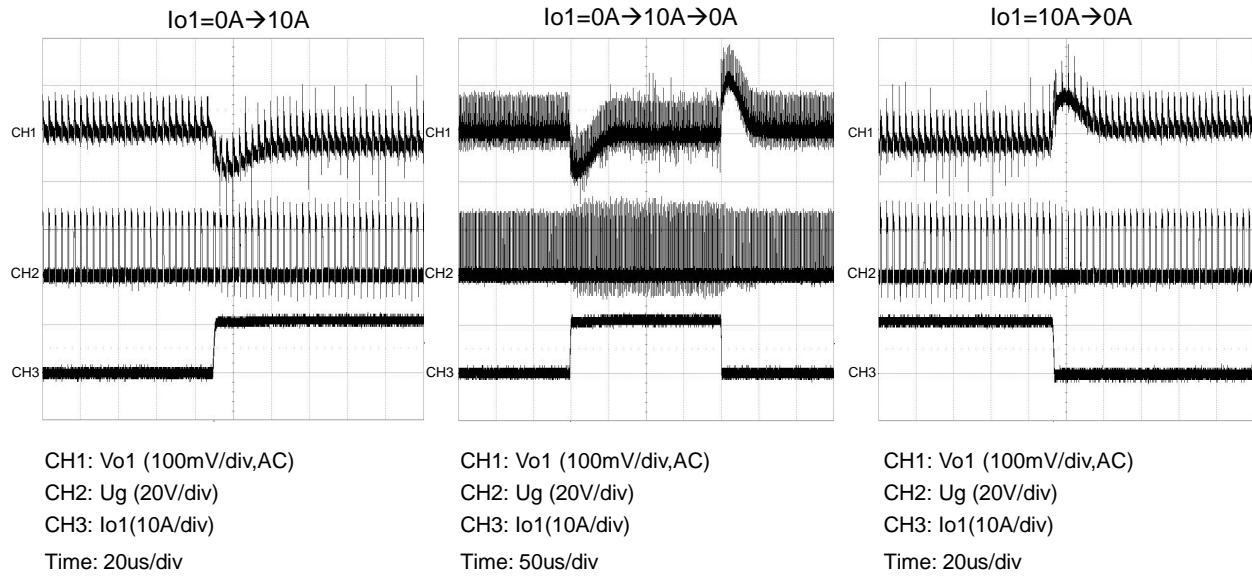


CH1: FBL (1V/div)
 CH2: Drive (5V/div)
 CH3: Vo2 (2V/div)
 Time: 100us/div

Typical Characteristics (Cont.)

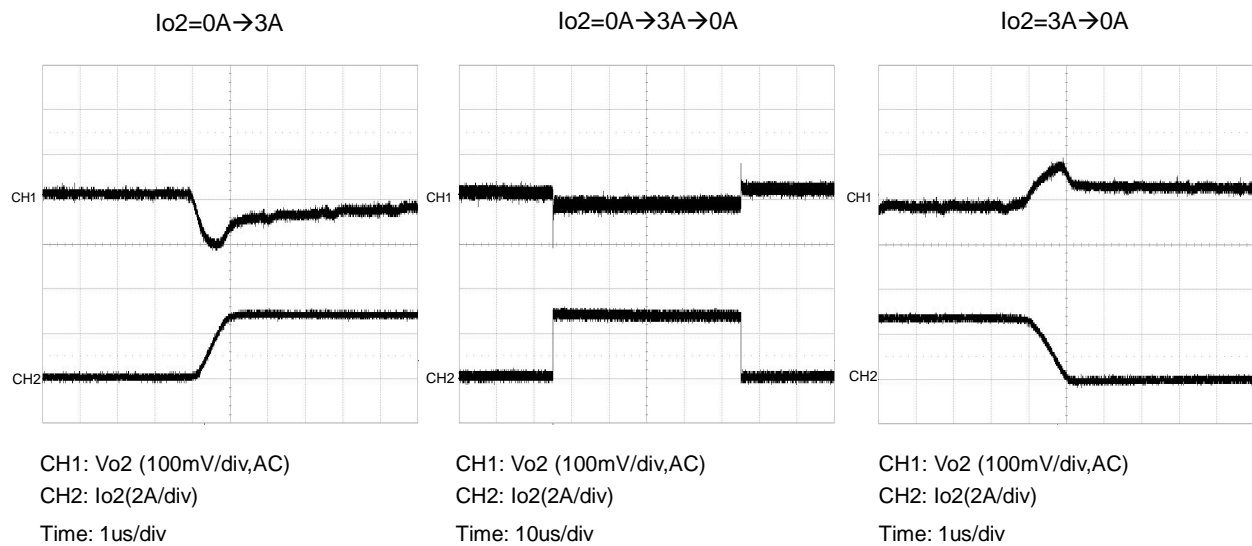
Load Transient Response(PWM Controller)

- VCC12=12V, Vin1=12V, Vo1=2V, Fosc=300KHz
- Io1 slew rate= ± 10 A/us



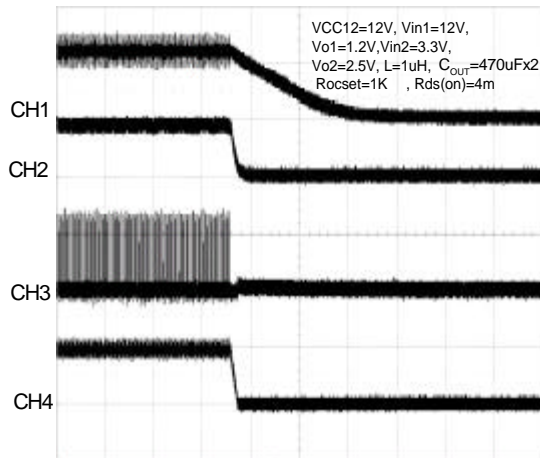
Load Transient Response(Linear Regulator)

- VCC12=12V, Vin2=3.3V, Vo2=2.5V
- Io2 slew rate= ± 3 A/us



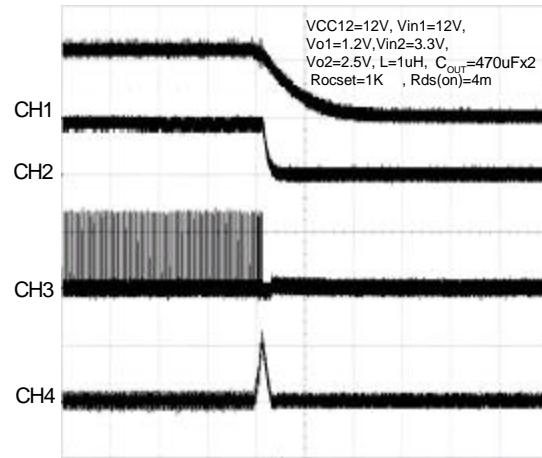
Typical Characteristics (Cont.)

Over Current Protection



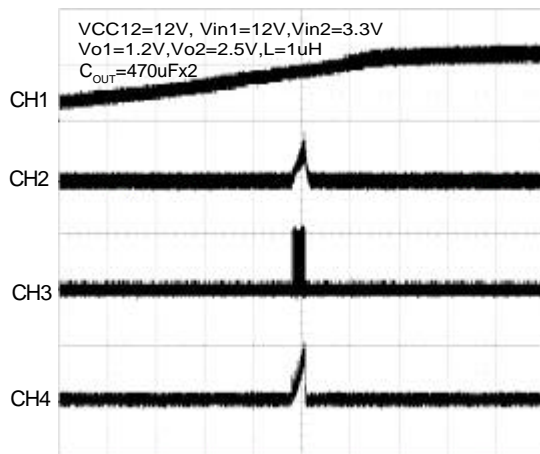
CH1: Vo1 (1V/div)
CH2: Drive (5V/div)
CH3: Ug (20V/div)
CH4: IL (10A/div)
Time: 50us/div

Short Test after Power Ready



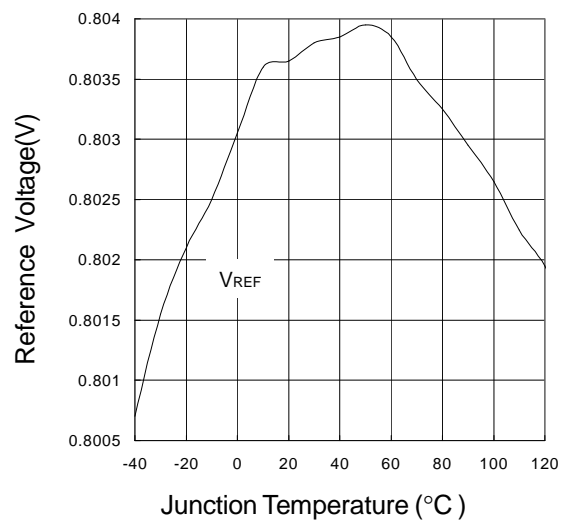
CH1: Vo1 (1V/div)
CH2: Drive (5V/div)
CH3: Ug (20V/div)
CH4: IL (10A/div)
Time: 50us/div

Short Test before Power On



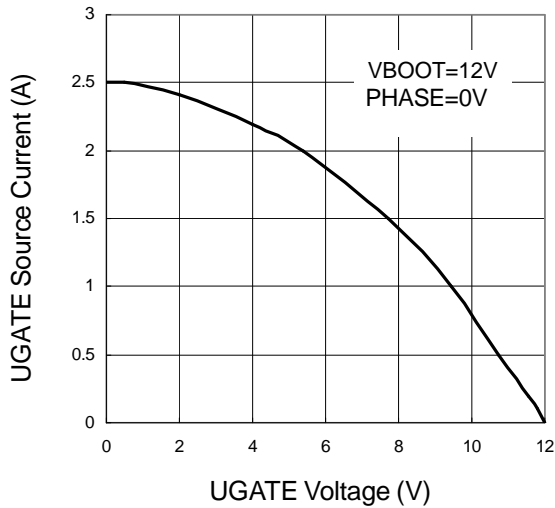
CH1: VCC12 (10V/div)
CH2: Vo1 (1V/div)
CH3: Ug (20V/div)
CH4: IL (10A/div)
Time: 2ms/div

V_{REF} vs. Junction Temperature

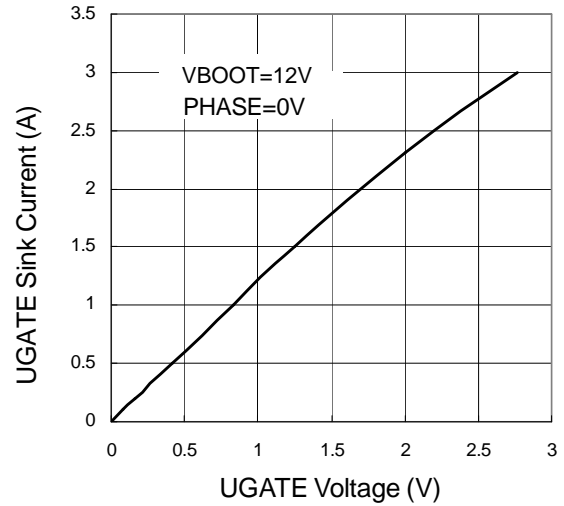


Typical Characteristics (Cont.)

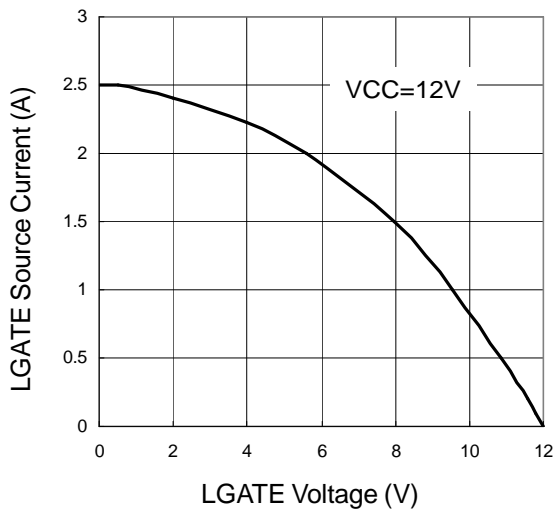
UGATE Source Current vs. UGATE Voltage



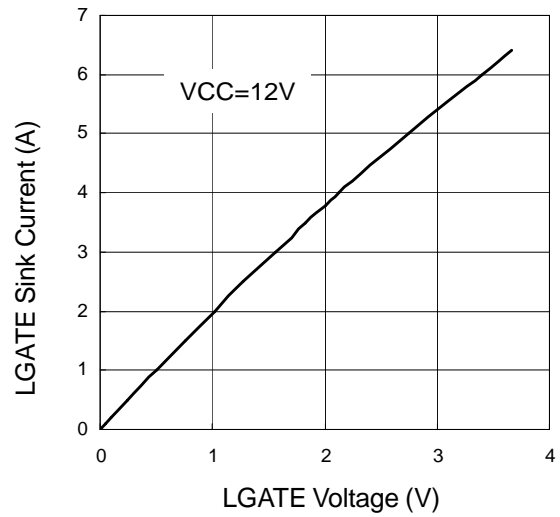
UGATE Sink Current vs. UGATE Voltage



LGATE Source Current vs. LGATE Voltage



LGATE Sink Current vs. LGATE Voltage



Function Descriptions

Power On Reset (POR)

The Power-On Reset (POR) function of APW7068 continually monitors the input supply voltage (VCC12), ensures the supply voltage exceed its rising POR threshold voltage. The POR function initiates soft-start interval operation while VCC12 voltages exceed their POR threshold and inhibits operation under disabled status.

Soft-Start

Figure 1. shows the soft-start interval. When VCC12 reaches the rising POR threshold voltage, the internal reference voltage is controlled to follow a voltage proportional to the soft-start voltage. The soft-start interval is variable by the oscillator frequency. The formulation is given by:

$$T_{ss} = \Delta(t_2 - t_1) = \frac{1}{F_{osc}} \times 2560$$

Figure 2. shows more detail of the FB and FBL voltage ramps. The FB and FBL voltage soft-start ramps are formed with many small steps of voltage. The voltage of one step is about 20mV in FB and FBL, and the period of one step is about 64/F_{osc}. This method provides a controlled voltage rise and prevents the large peak current to charge output capacitor. The FB voltage compares the FBL voltage to shift to an earlier time the establishment as Figure2. The voltage establishment time difference for FB and FBL is variable by the oscillator. The formulation is given by:

$$\Delta(t_4 - t_3) = \frac{1}{F_{osc}} \times 640 = \frac{1}{4} \times T_{ss}$$

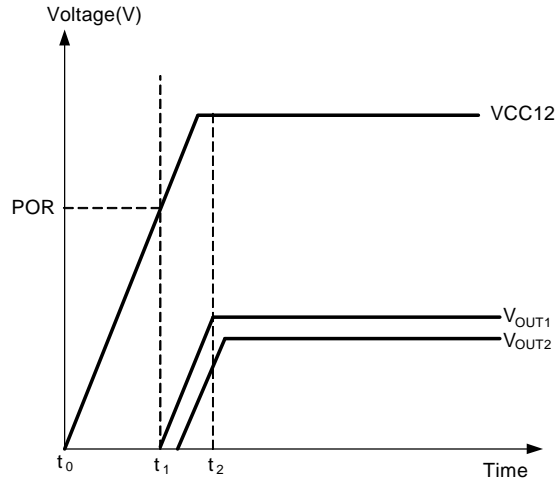


Figure 1. Soft-Start Interval

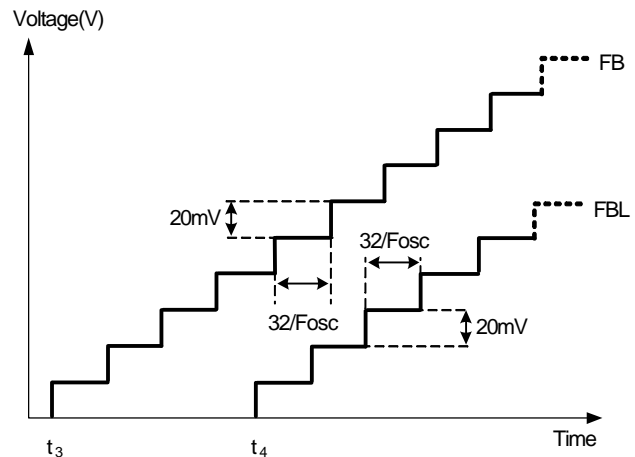


Figure 2. The Controlled Stepped FB and FBL Voltage during Soft-Start

Over-Current Protection

Connect a resistor (R_{ocset}) from this pin to GND, an internal 40uA current source will flow through this resistor and create a voltage drop, which will be compared with the voltage across the lower MOSFET. When the voltage across the lower MOSFET exceeds the voltage drop across the R_{ocset}, an over-current condition is detected and the controller will shutdown the IC directly, and the converter's output is latched.

Function Descriptions

Over-Current Protection (Cont.)

The threshold of the over current limit is therefore given by:

$$I_{LIMIT} = \frac{I_{OCSET} \times R_{OCSET}}{R_{DS(ON)}(Low - Side)}$$

For the over-current is never occurred in the normal operating load range; the variation of all parameters in the above equation should be determined.

- The MOSFET's $R_{DS(ON)}$ is varied by temperature and gate to source voltage, the user should determine the maximum $R_{DS(ON)}$ in manufacturer's datasheet.
- The minimum I_{OCSET} (36uA) and minimum R_{OCSET} should be used in the above equation.
- Note that the I_{LIMIT} is the current flow through the lower MOSFET; I_{LIMIT} must be greater than maximum output current add the half of inductor ripple current.

Over Voltage Protection

The FB pin is monitored during converter operation by its own Over Voltage(OV) comparator. If the FB

voltage is over 135% of the reference voltage, the controller will make Low-Side gate signal fully turn on until the fault events are removed.

Under Voltage Protection

The FBL pin is monitored during converter operation by its own Under Voltage(UV) comparator. If the FBL voltage drop below 50% of the reference voltage (50% of 0.8V = 0.4V), a fault signal is internally generated, and the device turns off both high-side and low-side MOSFET and the converter's output is latched to be floating. The controller will shutdown the IC directly.

Shutdown and Enable

Pulling the FS_DIS voltage to GND by an open drain transistor, shown in typical application circuit, shutdown the APW7068 PWM controller. In shutdown mode, the UGATE and LGATE turn off and pull to PHASE and GND respectively.

Application Information

Output Voltage Selection

The output voltage of PWM converter can be programmed with a resistive divider. Use 1% or better resistors for the resistive divider is recommended. The FB pin is the inverter input of the error amplifier, and the reference voltage is 0.8V. The output voltage is determined by:

$$V_{OUT1} = 0.8 \times \left(1 + \frac{R1}{R_{GND1}} \right)$$

Where R1 is the resistor connected from V_{OUT1} to FB and R_{GND1} is the resistor connected from FB to GND.

The linear regulator output voltage V_{OUT2} is also set by means of an external resistor divider. The FBL pin is the inverter input of the error amplifier, and the reference voltage is 0.8V. The output voltage is determined by:

$$V_{OUT2} = 0.8 \times \left(1 + \frac{R4}{R_{GND2}} \right)$$

Where R4 is the resistor connected from V_{OUT2} to FBL and R_{GND2} is the resistor connected from FBL to GND.

Application Information (Cont.)

Linear Regulator Input/Output Capacitor Selection

The input capacitor is chosen based on its voltage rating. Under load transient condition, the input capacitor will momentarily supply the required transient current. The output capacitor for the linear regulator is chosen to minimize any droop during load transient condition. In addition, the capacitor is chosen based on its voltage rating.

Linear Regulator Input/Output MOSFET Selection

The maximum DRIVE voltage is about 10V when VCC12 is equal 12V. Since this pin drives an external N-channel MOSFET, therefore the maximum output voltage of the linear regulator is dependent upon the V_{GS} .

$$V_{OUT2MAX} = 10 - V_{GS}$$

Another criterion is its efficiency of heat removal. The power dissipated by the MOSFET is given by:

$$Pd = I_{OUT2} \times (V_{IN} - V_{OUT2})$$

Where I_{OUT2} is the maximum load current, V_{OUT2} is the nominal output voltage.

In some applications, heatsink might be required to help maintain the junction temperature of the MOSFET below its maximum rating.

Linear Regulator Compensation Selection

The linear regulator is stable over all loads current. However, the transient response can be further enhanced by connecting a RC network between the FBL and DRIVE pin. Depending on the output capacitance and load current of the application, the value of this RC network is then varied.

PWM Compensation

The output LC filter of a step down converter introduces a double pole, which contributes with -40dB/decade gain slope and 180 degrees phase shift in the control

loop. A compensation network among COMP, FB and V_{OUT1} should be added. The compensation network is shown in Fig. 9. The output LC filter consists of the output inductor and output capacitors. The transfer function of the LC filter is given by:

$$GAIN_{LC} = \frac{1 + s \times ESR \times C_{OUT1}}{s^2 \times L \times C_{OUT1} + s \times ESR \times C_{OUT1} + 1}$$

The poles and zero of this transfer functions are:

$$F_{LC} = \frac{1}{2 \times \pi \times \sqrt{L \times C_{OUT1}}}$$

$$F_{ESR} = \frac{1}{2 \times \pi \times ESR \times C_{OUT1}}$$

The F_{LC} is the double poles of the LC filter, and F_{ESR} is the zero introduced by the ESR of the output capacitor.

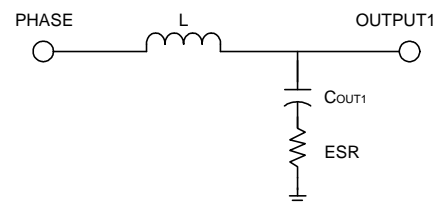


Figure 6. The Output LC Filter

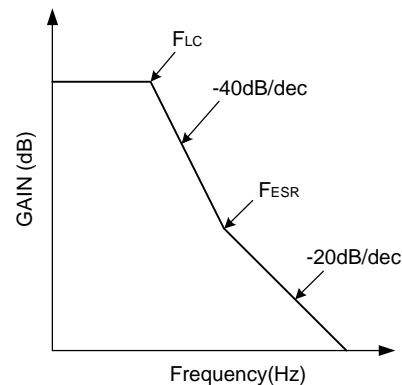


Figure 7. The LC Filter GAIN and Frequency

Application Information (Cont.)

PWM Compensation (Cont.)

The PWM modulator is shown in Figure 8. The input is the output of the error amplifier and the output is the PHASE node. The transfer function of the PWM modulator is given by:

$$GAIN_{PWM} = \frac{V_{IN1}}{\Delta V_{OSC}}$$

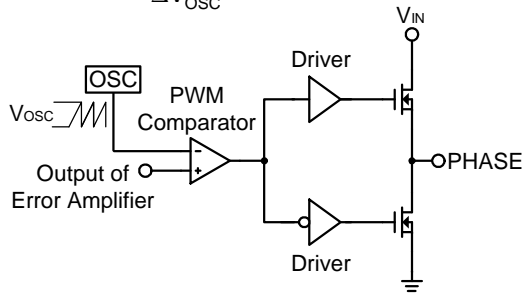


Figure 8. The PWM Modulator

The compensation network is shown in Figure 9. It provides a close loop transfer function with the highest zero crossover frequency and sufficient phase margin. The transfer function of error amplifier is given by:

$$GAIN_{AMP} = \frac{V_{COMP}}{V_{OUT1}} = \frac{1/sC1 // (R2 + 1/sC2)}{R1 // (R3 + 1/sC3)}$$

$$= \frac{R1 + R3}{R1 \times R3 \times C1} \times \frac{\left(s + \frac{1}{R2 \times C2}\right) \times \left(s + \frac{1}{(R1 + R3) \times C3}\right)}{s \left(s + \frac{C1 + C2}{R2 \times C1 \times C2}\right) \times \left(s + \frac{1}{R3 \times C3}\right)}$$

The poles and zeros of the transfer function are:

$$F_{Z1} = \frac{1}{2 \times \pi \times R2 \times C2}$$

$$F_{Z2} = \frac{1}{2 \times \pi \times (R1 + R3) \times C3}$$

$$F_{P1} = \frac{1}{2 \times \pi \times R2 \times \left(\frac{C1 \times C2}{C1 + C2}\right)}$$

$$F_{P2} = \frac{1}{2 \times \pi \times R3 \times C3}$$

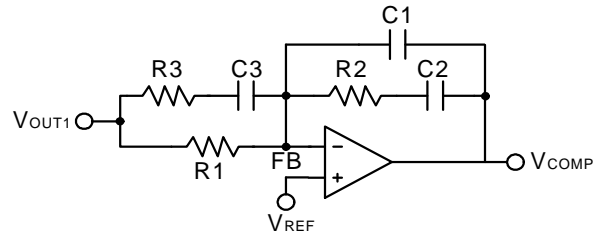


Figure 9. Compensation Network

The closed loop gain of the converter can be written as:

$$GAIN_{LC} \times GAIN_{PWM} \times GAIN_{AMP}$$

Figure 10. shows the asymptotic plot of the closed loop converter gain, and the following guidelines will help to design the compensation network. Using the below guidelines should give a compensation similar to the curve plotted. A stable closed loop has a -20dB/decade slope and a phase margin greater than 45 degree.

1. Choose a value for R1, usually between 1K and 5K.
2. Select the desired zero crossover frequency F_o :
(1/5 ~ 1/10) $\times F_s > F_o > F_{ESR}$

Use the following equation to calculate R2:

$$R2 = \frac{\Delta V_{OSC}}{V_{IN}} \times \frac{F_o}{F_{LC}} \times R1$$

3. Place the first zero F_{Z1} before the output LC filter double pole frequency F_{LC} .

$$F_{Z1} = 0.75 \times F_{LC}$$

Calculate the C2 by the equation:

$$C2 = \frac{1}{2 \times \pi \times R2 \times F_{LC} \times 0.75}$$

4. Set the pole at the ESR zero frequency F_{ESR} :

$$F_{P1} = F_{ESR}$$

Calculate the C1 by the equation:

$$C1 = \frac{C2}{2 \times \pi \times R2 \times C2 \times F_{ESR} - 1}$$

Application Information (Cont.)

PWM Compensation (Cont.)

5. Set the second pole F_{P2} at the half of the switching frequency and also set the second zero F_{Z2} at the output LC filter double pole F_{LC} . The compensation gain should not exceed the error amplifier open loop gain, check the compensation gain at F_{P2} with the capabilities of the error amplifier.

$$F_{P2} = 0.5 \times F_s$$

$$F_{Z2} = F_{LC}$$

Combine the two equations will get the following component calculations:

$$R3 = \frac{R1}{\frac{F_s}{2 \times F_{LC}} - 1}$$

$$C3 = \frac{1}{\pi \times R3 \times F_s}$$

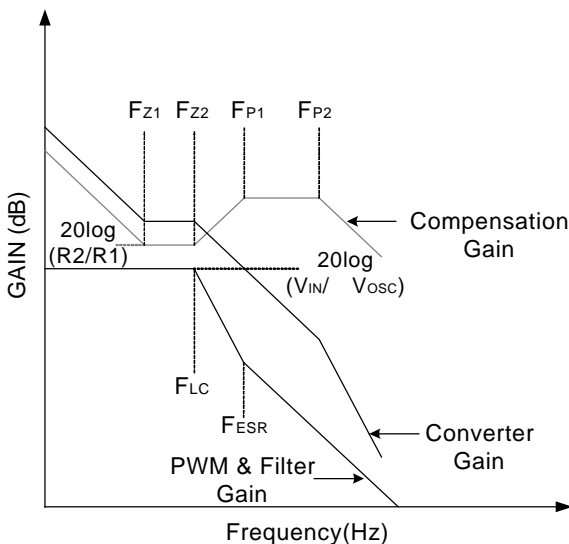


Figure 10. Converter Gain and Frequency

Output Inductor Selection

The inductor value determines the inductor ripple current and affects the load transient response. Higher inductor value reduces the inductor's ripple current and induces lower output ripple voltage. The ripple current

and ripple voltage can be approximated by:

$$I_{RIPPLE} = \frac{V_{IN1} - V_{OUT1}}{F_s \times L} \times \frac{V_{OUT1}}{V_{IN1}}$$

$$\Delta V_{OUT1} = I_{RIPPLE} \times ESR$$

where F_s is the switching frequency of the regulator.

Although increase of the inductor value and frequency reduces the ripple current and voltage, a tradeoff will exist between the inductor's ripple current and the regulator load transient response time.

A smaller inductor will give the regulator a faster load transient response at the expense of higher ripple current. Increasing the switching frequency (F_s) also reduces the ripple current and voltage, but it will increase the switching loss of the MOSFET and the power dissipation of the converter. The maximum ripple current occurs at the maximum input voltage. A good starting point is to choose the ripple current to be approximately 30% of the maximum output current. Once the inductance value has been chosen, select an inductor that is capable of carrying the required peak current without going into saturation. In some types of inductors, especially core that is made of ferrite, the ripple current will increase abruptly when it saturates. This will result in a larger output ripple voltage.

Output Capacitor Selection

Higher capacitor value and lower ESR reduce the output ripple and the load transient drop. Therefore, selecting high performance low ESR capacitors is intended for switching regulator applications. In some applications, multiple capacitors have to be parallel to achieve the desired ESR value. A small decoupling capacitor in parallel for bypassing the noise is also recommended, and the voltage rating of the output capacitors also must be considered. If tantalum capacitors are used, make sure they are surge tested

Application Information (Cont.)

Output Capacitor Selection (Cont.)

by the manufactures. If in doubt, consult the capacitors manufacturer.

Input Capacitor Selection

The input capacitor is chosen based on the voltage rating and the RMS current rating. For reliable operation, select the capacitor voltage rating to be at least 1.3 times higher than the maximum input voltage. The maximum RMS current rating requirement is approximately $I_{OUT1}/2$, where I_{OUT1} is the load current. During power up, the input capacitors have to handle large amount of surge current. If tantalum capacitors are used, make sure they are surge tested by the manufactures. If in doubt, consult the capacitors manufacturer. For high frequency decoupling, a ceramic capacitor 1uF can be connected between the drain of upper MOSFET and the source of lower MOSFET. applications, multiple capacitors have to be parallel to achieve the desired ESR value. A small decoupling capacitor in parallel for bypassing the noise is also recommended, and the voltage rating of the output capacitors also must be considered. If tantalum capacitors are used, make sure they are surge tested by the manufactures. If in doubt, consult the capacitors manufacturer.

Input Capacitor Selection

The input capacitor is chosen based on the voltage rating and the RMS current rating. For reliable operation, select the capacitor voltage rating to be at least 1.3 times higher than the maximum input voltage. The maximum RMS current rating requirement is approximately $I_{OUT1}/2$, where I_{OUT1} is the load current. During power up, the input capacitors have to handle large amount of surge current. If tantalum capacitors are used, make sure they are surge tested by the manufactures. If in doubt, consult the capacitors manufacturer. For high frequency decoupling, a ceramic

capacitor 1uF can be connected between the drain of upper MOSFET and the source of lower MOSFET.

MOSFET Selection

The selection of the N-channel power MOSFETs are determined by the $R_{DS(ON)}$, reverse transfer capacitance (C_{RSS}) and maximum output current requirement. There are two components of loss in the MOSFETs: conduction loss and transition loss. For the upper and lower MOSFET, the losses are approximately given by the following:

$$P_{UPPER} = I_{OUT1} (1+TC)(R_{DS(ON)})D + (0.5)(I_{OUT1})(V_{IN1})(t_{SW})F_S$$

$$P_{LOWER} = I_{OUT1} (1+TC)(R_{DS(ON)})(1-D)$$

Where I_{OUT1} is the load current

TC is the temperature dependency of $R_{DS(ON)}$

F_S is the switching frequency

t_{SW} is the switching interval

D is the duty cycle

Note that both MOSFETs have conduction loss while the upper MOSFET include an additional transition loss. The switching interval, t_{SW} , is a function of the reverse transfer capacitance C_{RSS} . The (1+TC) term is to factor in the temperature dependency of the $R_{DS(ON)}$ and can be extracted from the " $R_{DS(ON)}$ vs Temperature" curve of the power MOSFET.

Layout Considerations

In any high switching frequency converter, a correct layout is important to ensure proper operation of the regulator. With power devices switching at 300KHz or above, the resulting current transient will cause voltage spike across the interconnecting impedance and parasitic circuit elements. As an example, consider the turn-off transition of the PWM MOSFET. Before turn-off, the MOSFET is carrying the full load current. During turn-off, current stops flowing in the MOSFET and is free-wheeling by the lower MOSFET and parasitic diode. Any parasitic inductance of the circuit gen-

Application Information (Cont.)

Layout Considerations (Cont.)

erates a large voltage spike during the switching interval. In general, using short, wide printed circuit traces should minimize interconnecting impedances and the magnitude of voltage spike. And signal and power grounds are to be kept separate till combined using ground plane construction or single point grounding. Figure 11. illustrates the layout, with bold lines indicating high current paths; these traces must be short and wide. Components along the bold lines should be placed close together. Below is a checklist for your layout:

- The metal plate of the bottom of the packages (QFN-16) must be soldered to the PCB and connected to the GND plane on the backside through several thermal vias.
- Keep the switching nodes (UGATE, LGATE and PHASE) away from sensitive small signal nodes since these nodes are fast moving signals. Therefore, keep traces to these nodes as short as possible.
- The traces from the gate drivers to the MOSFETs (UG, LG, DRIVE) should be short and wide.
- Place the source of the high-side MOSFET and the drain of the low-side MOSFET as close as possible. Minimizing the impedance with wide layout plane between the two pads reduces the voltage bounce of the node.
- Decoupling capacitor, compensation component, the resistor dividers, boot capacitors, and REF_OUT capacitors should be close their pins. (For example, place the decoupling ceramic capacitor near the drain of the high-side MOSFET as close as possible. The bulk capacitors are also placed near the drain).
- The input capacitor should be near the drain of

the upper MOSFET; the output capacitor should be near the loads. The input capacitor GND should be close to the output capacitor GND and the lower MOSFET GND.

- The drain of the MOSFETs (V_{IN1} and PHASE nodes) should be a large plane for heat sinking.

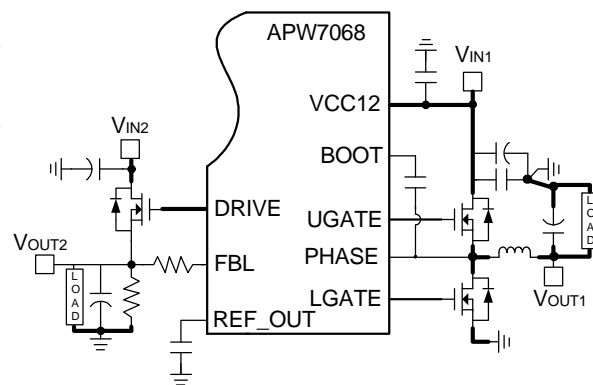
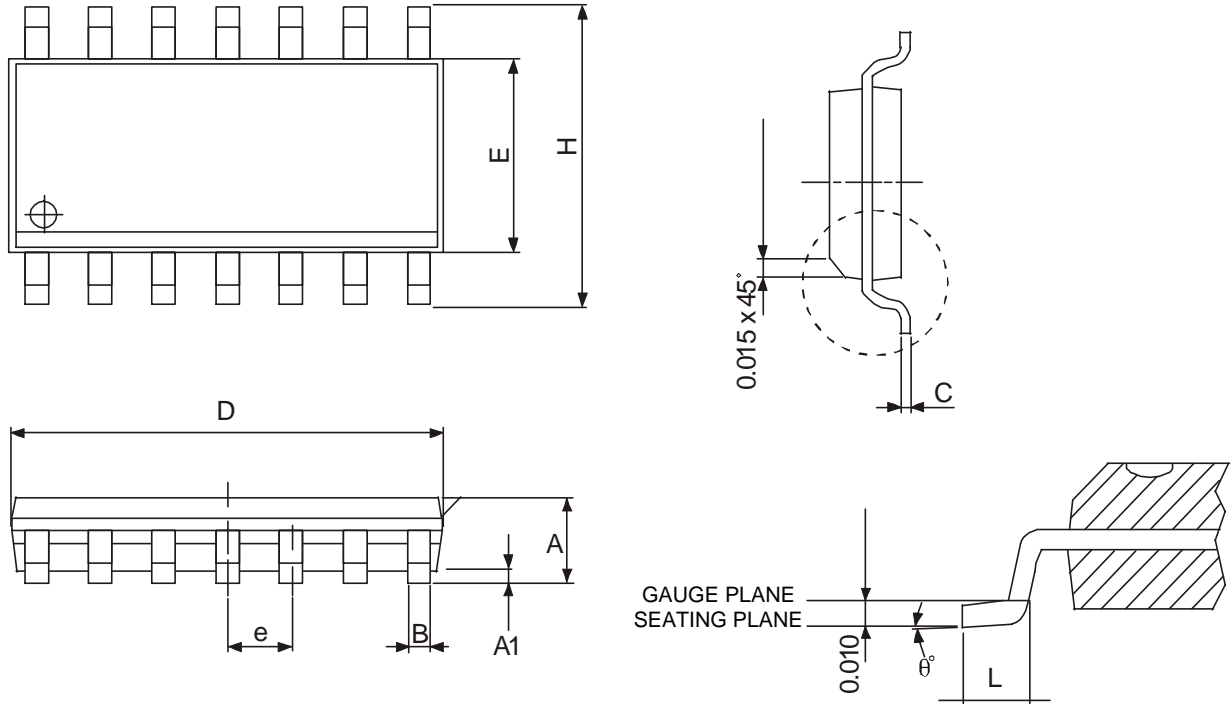


Figure 11. Layout Guidelines

Package Information

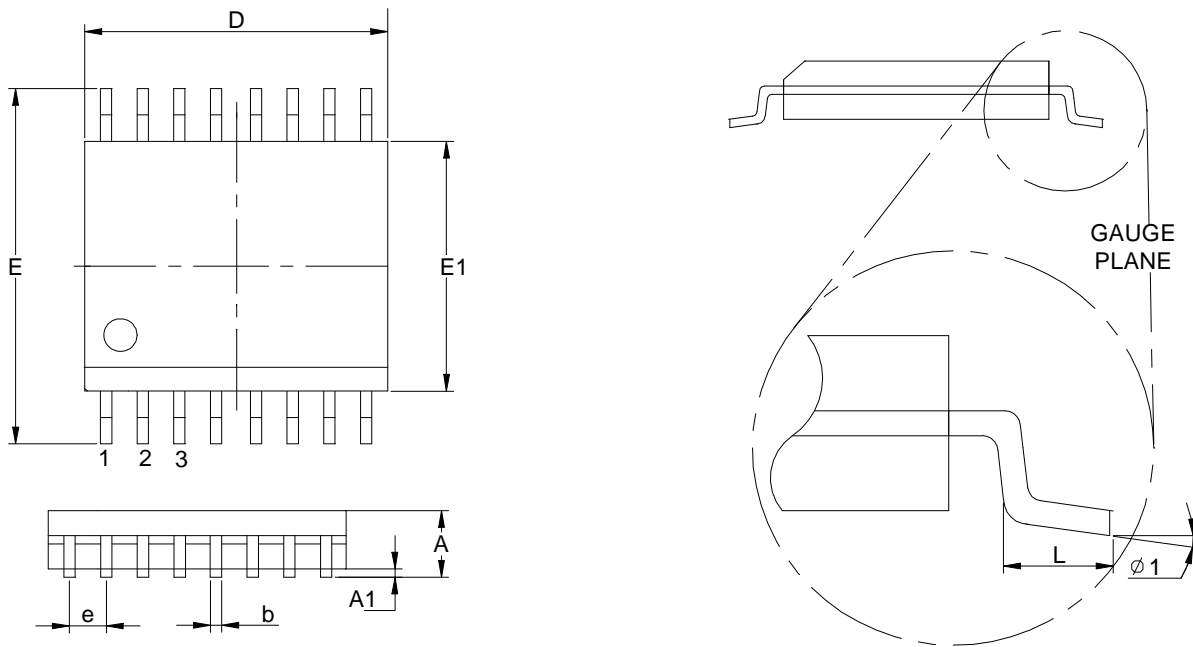
SOP – 14 (150mil)



Dim	Millimeters		Inches	
	Min.	Max.	Min.	Max.
A	1.477	1.732	0.058	0.068
A1	0.102	0.255	0.004	0.010
B	0.331	0.509	0.013	0.020
C	0.191	0.2496	0.0075	0.0098
D	8.558	8.762	0.336	0.344
E	3.82	3.999	0.150	0.157
e	1.274		0.050	
H	5.808	6.215	0.228	0.244
L	0.382	1.274	0.015	0.050
θ°	0°	8°	0°	8°

Package Information

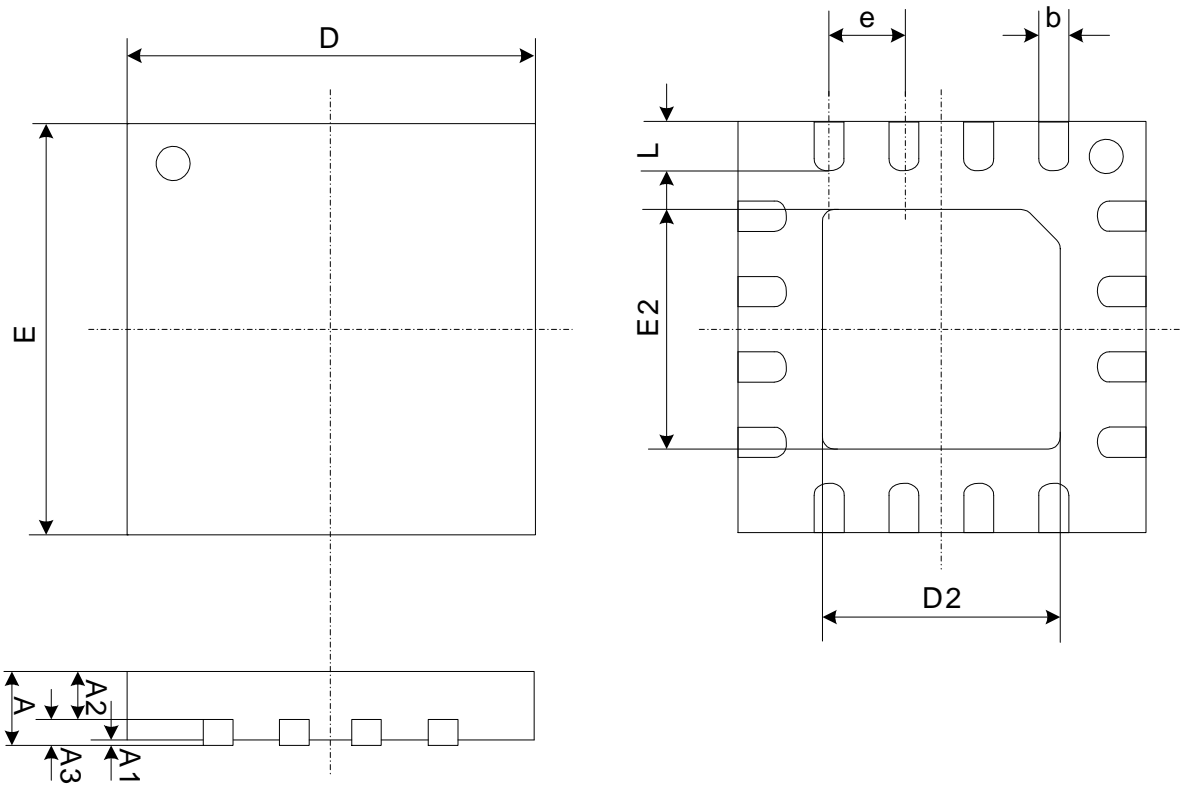
QSOP-16



Dim	Millimeters		Inches	
	Min.	Max.	Min.	Max.
A	1.35	1.75	0.053	0.069
A1	0.10	0.25	0.004	0.010
b	0.20	0.30	0.008	0.012
D	4.80	5.00	0.189	0.197
E	5.79	6.20	0.228	0.244
E1	3.81	3.99	0.150	0.157
e	0.635 TYP.		0.025 TYP.	
L	0.41	1.27	0.016	0.050
φ 1	0°	8°	0°	8°

Packaging Information

QFN-16

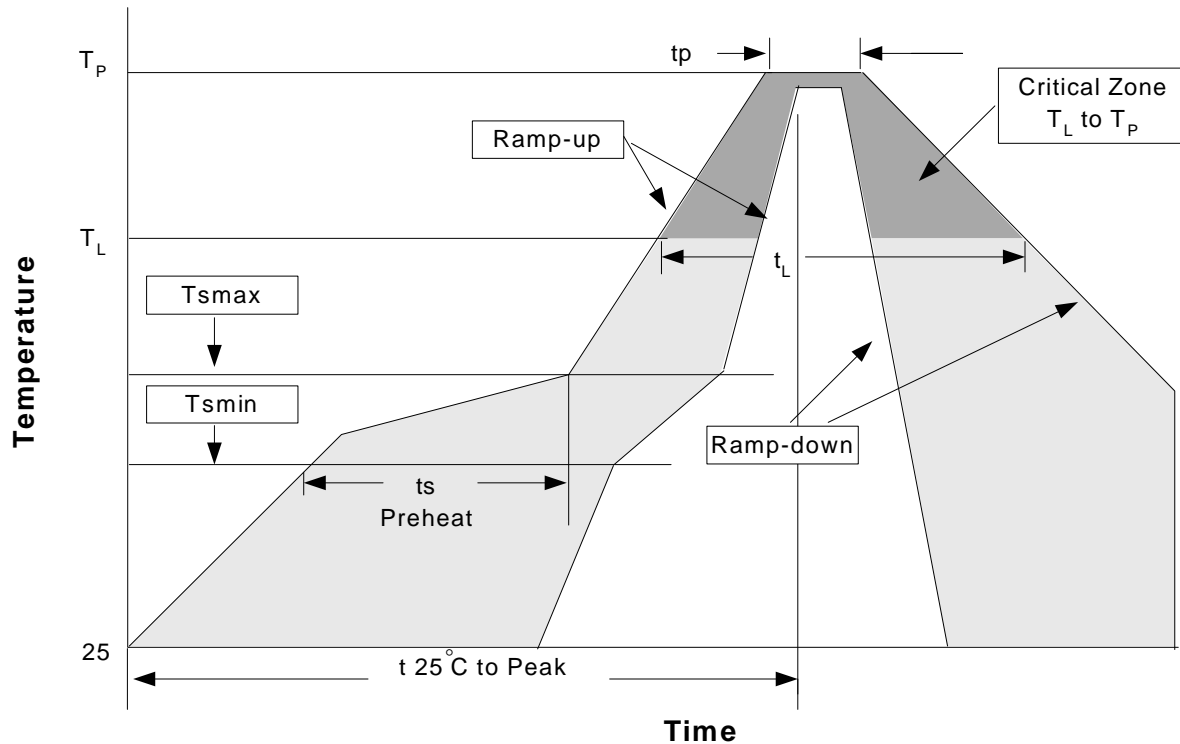


Dim	Millimeters		Inches	
	Min.	Max.	Min.	Max.
A	0.76	0.84	0.030	0.033
A1	0.00	0.04	0.00	0.0015
A2	0.57	0.63	0.022	0.025
A3	0.20 REF.		0.008 REF.	
D	3.90	4.10	0.154	0.161
E	3.90	4.10	0.154	0.161
b	0.25	0.35	0.010	0.014
D2	2.05	2.15	0.081	0.085
E2	2.05	2.15	0.081	0.085
e	0.650 BSC		0.0257BSC	
L	0.50	0.60	0.002	0.024

Physical Specifications

Terminal Material	Solder-Plated Copper (Solder Material : 90/10 or 63/37 SnPb), 100%Sn
Lead Solderability	Meets EIA Specification RSI86-91, ANSI/J-STD-002 Category 3.

Reflow Condition (IR/Convection or VPR Reflow)



Classification Reflow Profiles

Profile Feature	Sn-Pb Eutectic Assembly	Pb-Free Assembly
Average ramp-up rate (T_L to T_P)	3°C/second max.	3°C/second max.
Preheat		
- Temperature Min (T_{smin})	100°C	150°C
- Temperature Max (T_{smax})	150°C	200°C
- Time (min to max) (t_s)	60-120 seconds	60-180 seconds
Time maintained above:		
- Temperature (T_L)	183°C	217°C
- Time (t_L)	60-150 seconds	60-150 seconds
Peak/Classification Temperature (T_p)	See table 1	See table 2
Time within 5°C of actual Peak Temperature (t_p)	10-30 seconds	20-40 seconds
Ramp-down Rate	6°C/second max.	6°C/second max.
Time 25°C to Peak Temperature	6 minutes max.	8 minutes max.

Notes: All temperatures refer to topside of the package. Measured on the body surface.

Classification Reflow Profiles(Cont.)

Table 1. SnPb Eutectic Process – Package Peak Reflow Temperatures

Package Thickness	Volume mm ³ <350	Volume mm ³ ≥350
<2.5 mm	240 +0/-5°C	225 +0/-5°C
≥2.5 mm	225 +0/-5°C	225 +0/-5°C

Table 2. Pb-free Process – Package Classification Reflow Temperatures

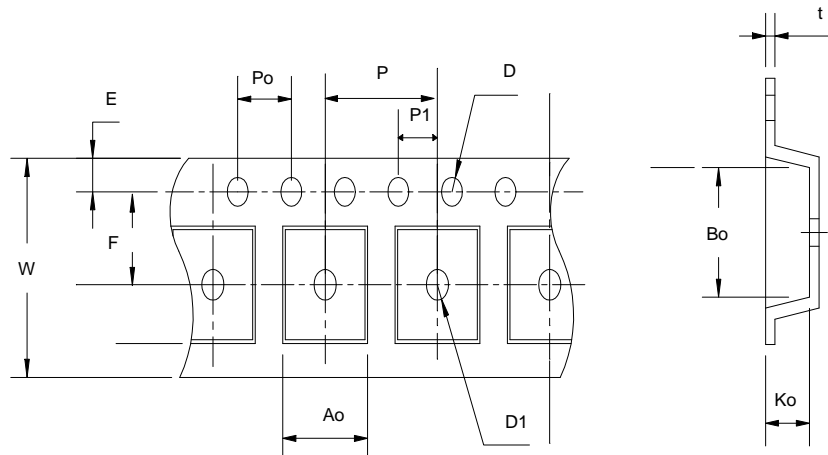
Package Thickness	Volume mm ³ <350	Volume mm ³ 350-2000	Volume mm ³ >2000
<1.6 mm	260 +0°C*	260 +0°C*	260 +0°C*
1.6 mm – 2.5 mm	260 +0°C*	250 +0°C*	245 +0°C*
≥2.5 mm	250 +0°C*	245 +0°C*	245 +0°C*

*Tolerance: The device manufacturer/supplier **shall** assure process compatibility up to and including the stated classification temperature (this means Peak reflow temperature +0°C. For example 260°C+0°C) at the rated MSL level.

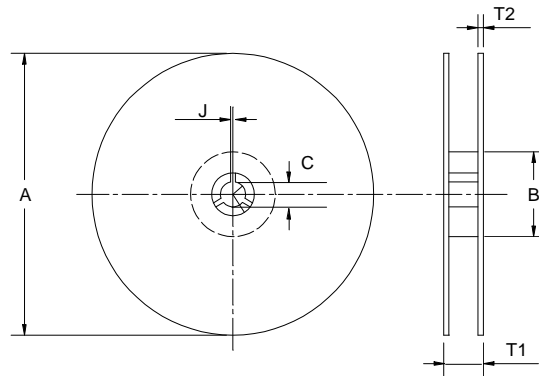
Reliability Test Program

Test item	Method	Description
SOLDERABILITY	MIL-STD-883D-2003	245°C, 5 SEC
HOLT	MIL-STD-883D-1005.7	1000 Hrs Bias @ 125°C
PCT	JESD-22-B,A102	168 Hrs, 100%RH, 121°C
TST	MIL-STD-883D-1011.9	-65°C~150°C, 200 Cycles
ESD	MIL-STD-883D-3015.7	VHBM > 2KV, VMM > 200V
Latch-Up	JESD 78	10ms, 1 _{tr} > 100mA

Carrier Tape & Reel Dimensions



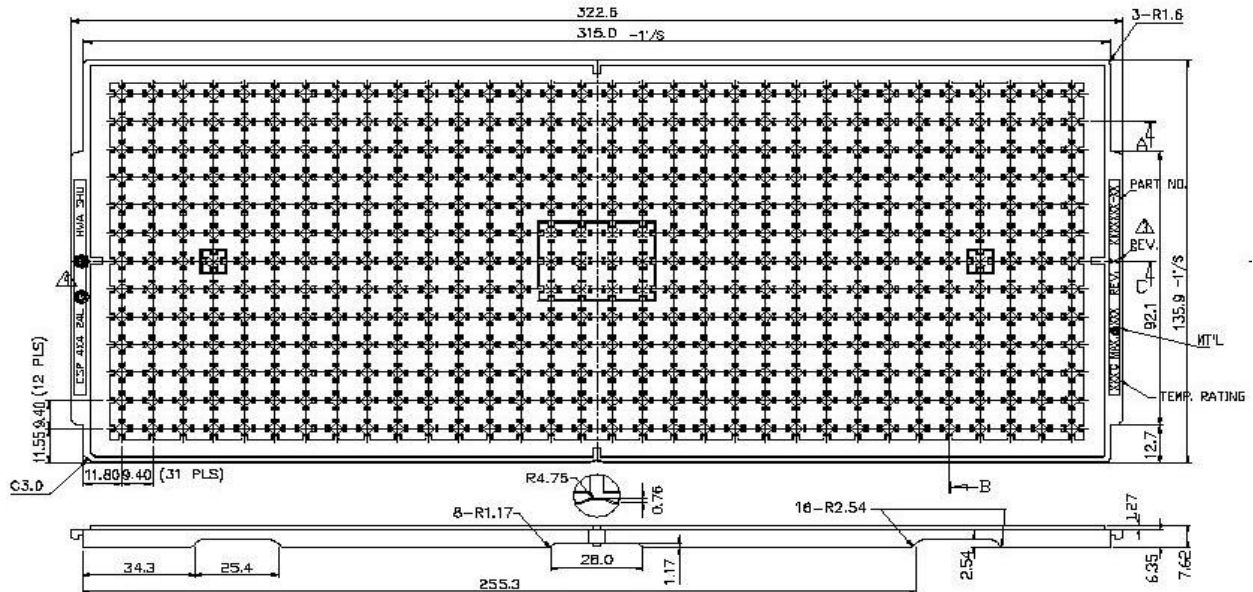
Carrier Tape & Reel Dimensions(Cont.)



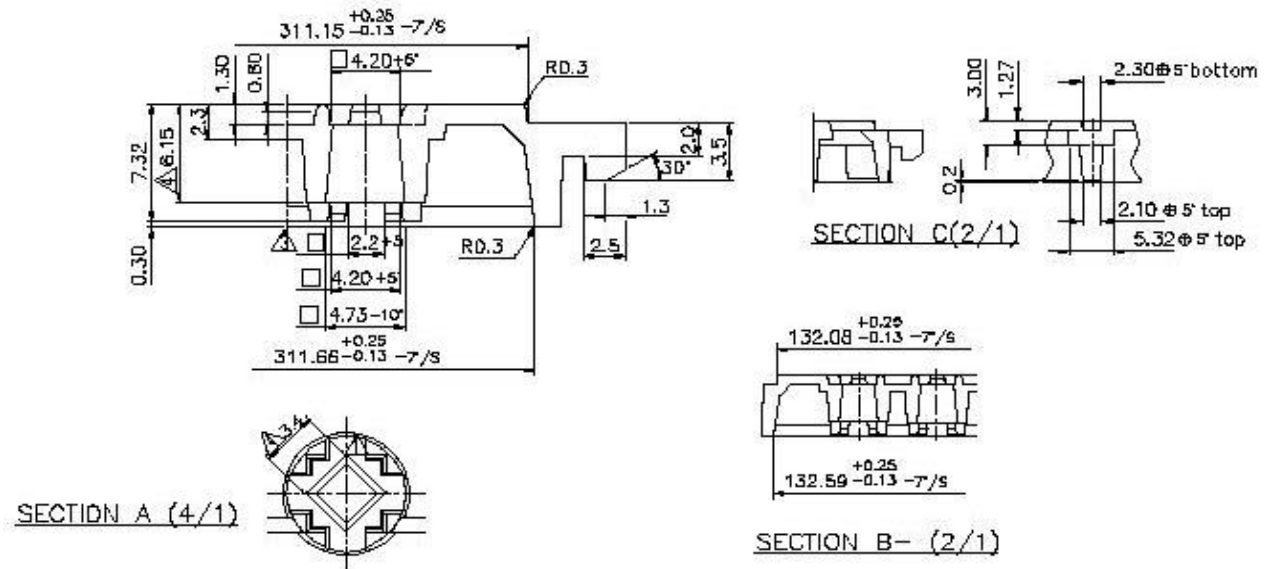
Application	A	B	C	J	T1	T2	W	P	E
SOP-14 (150mil)	330REF	100REF	13.0 +0.5 -0.2	2 ± 0.5	16.5REF	2.5 ± 0.25	16.0 ± 0.3	8	1.75
	F	D	D1	Po	P1	Ao	Ko	t	
	7.5	φ0.50 + 0.1	φ1.50 (MIN)	4.0	2.0	6.5	2.10	0.3±0.05	
Application	A	B	C	J	T1	T2	W	P	E
QSOP-16	330 ± 1	62 +1.5	12.75+ 0.15	2 ± 0.5	12.4 ± 0.2	2 ± 0.2	12± 0.3	8± 0.1	1.75±0.1
	F	D	D1	Po	P1	Ao	Bo	Ko	t
	5.5± 1	1.55 +0.1	1.55+ 0.25	4.0 ± 0.1	2.0 ± 0.1	6.4 ± 0.1	5.2± 0.1	2.1± 0.1	0.3±0.013

(mm)

4x4 Shipping Tray



4x4 Shipping Tray (Cont.)



Cover Tape Dimensions

Application	Carrier Width	Cover Tape Width	Devices Per Reel
SOP- 14	24	21.3	2500
QSOP- 16	12	9.3	2500

Customer Service

Anpec Electronics Corp.

Head Office :

No.6, Dusing 1st Road, SBIP,

Hsin-Chu, Taiwan, R.O.C.

Tel : 886-3-5642000

Fax : 886-3-5642050

Taipei Branch :

7F, No. 137, Lane 235, Pac Chiao Rd.,

Hsin Tien City, Taipei Hsien, Taiwan, R. O. C.

Tel : 886-2-89191368

Fax : 886-2-89191369