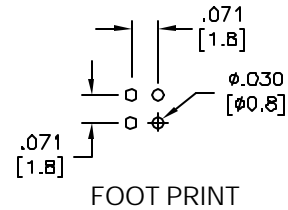
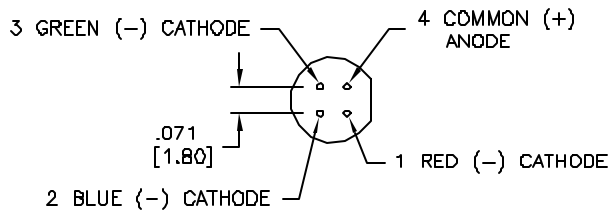
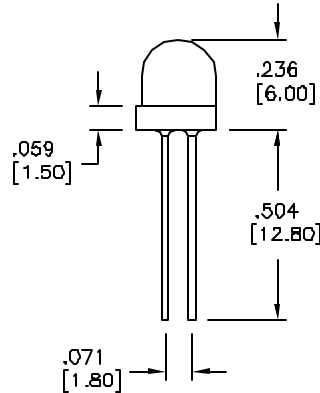
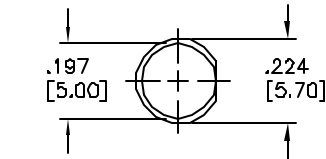


LTR	REVISION	DATE	APPD
-	RELEASED	01-26-99	
A	RVSD PER ECR 021601-RM01	02-16-01	RM
B	RVSD PER ECR 080502-RM01	08-05-02	RM



NOTES:

1. ALL DIMS ARE IN INCHES {MILLIMETERS}.
2. TOLERANCE IS $\pm 0.010"$ ($\pm 0.25\text{mm}$) UNLESS OTHERWISE SPECIFIED.
3. LEAD SPACING IS MEASURED WHERE LEADS EMERGE FROM THE PACKAGE.
4. LEADS TO BE SOLDERABLE AND CAPABLE OF MEETING THE SOLDERABILITY REQUIREMENTS OF MIL-STD-202, METHOD 208.
5. MANUFACTURE DATE SHALL NOT BE OLDER THAN 26 WEEKS (6 MONTHS).

LEDTRONICS PART NO.	L.E.D. RADIATION COLOR	L.E.D. APPEARANCE	ABSOLUTE MAXIMUM RATINGS ($T_a=25^\circ\text{C}$)					ELECTRO-OPTICAL CHARACTERISTICS ($T_a=25^\circ\text{C}$)				
			P_d mW	I_f mA	V_r V	T_{opr} ($^\circ\text{C}$)	I_f mA	I_v mod typ	$V_f=V$ typ	I_r max μA	λ_{Peak} nm	
DIS-1024-007	ULTRA RED	WATER CLEAR	60	30	3	-10 TO +60	20	180	1.9	10	630	
	GREEN		100	30	3	-10 TO +60	20	400	3.5	100	525	
	BLUE		100	30	3	-10 TO +60	20	200	3.5	100	468	
DIS-1024-107	ULTRA RED	DIFFUSED	60	30	3	-10 TO +60	20	60	1.8	10	660	
	GREEN		100	30	3	-10 TO +60	20	160	3.5	100	525	
	BLUE		100	30	3	-10 TO +60	20	60	3.5	100	468	

T_{stg} : -20°C TO $+80^\circ\text{C}$
 LEAD SOLDERING TEMP: [5mm (.197in) FROM BODY] 260°C FOR 3 SEC.

PROPRIETARY.
 This document contains Proprietary Information of LEDTRONICS, INC.
 It may not be copied, used or disclosed for any purpose without the prior express written consent of LEDTRONICS, INC.

.XXX \pm .010 TOLERANCE PER ANSI-Y14.5
 .XX \pm .025 (UNLESS OTHERWISE STATED)
 ANGLES \pm $0^\circ, 30'$
 FRACT. \pm 1/32

TITLE DIS-1024-X07			
DWG NO D1024006	SCALE 2:1	SHEET 1 OF 1	DATE 01-26-99
CODE IDENT NO. 8Z410	DWG BY SMA	CHK BY PL 08-05-02	QA MFG CUSTOMER