

TECHNICAL DATA
DATA SHEET 840, REV. C
Formerly part number SHD52611

POSITIVE ADJUSTABLE 1.5 AMP REGULATOR

FEATURES:

- ISOLATED HERMETIC PACKAGE
- SIMILAR to INDUSTRY TYPE LM117HV
- Add Suffix "S" for S-100 Screening

MAXIMUM RATINGS

All ratings are at $-55^{\circ}\text{C} \leq T_A \leq +125^{\circ}\text{C}$ unless otherwise specified.

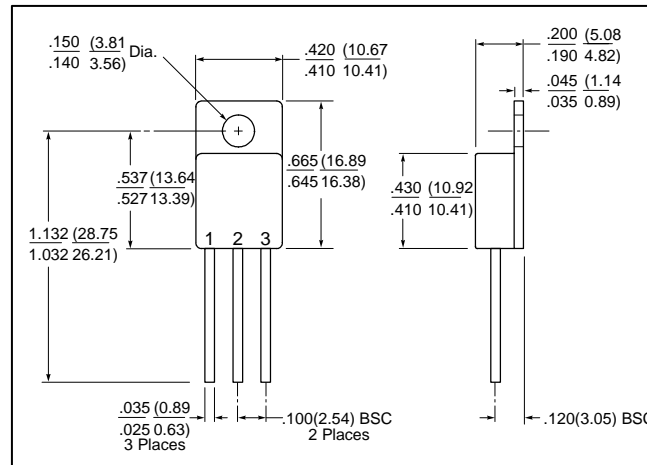
Parameter	Conditions	Typical	Limit	Units
Output Current I_{OUT}	-	-	1.5	A
Input to Output Voltage Differential	-	-	+60, -0.3	Vdc
Storage Temperature Range	-	-	-65 to +150	$^{\circ}\text{C}$
Lead Temperature	Soldering, 10 seconds	-	+300	$^{\circ}\text{C}$
Power Dissipation (P_D)	-	-	Internally Limited	
Maximum Thermal Resistance Junction to Case (θ_{JC})	-	-	4.2	$^{\circ}\text{C}/\text{W}$
Junction Temp. (T_J)	-	-	+150	$^{\circ}\text{C}$
Ambient Operating Temperature Range (T_A)	Recommended Conditions	-	-55 to +125	$^{\circ}\text{C}$

ELECTRICAL CHARACTERISTICS

Parameter	Conditions	Min	Typ.	Limit	Units
Reference Voltage	$3.0\text{V} \leq (V_{IN} - V_{OUT}) \leq 60\text{V}$ $10\text{mA} \leq I_{OUT} \leq I_{MAX}$ $P \leq P_{MAX}$	1.20	1.250	1.30	V
Line Regulation	$3.0\text{V} \leq (V_{IN} - V_{OUT}) \leq 60\text{V}$ $I_L = 10\text{mA}$	-	0.02	0.05	%/V
Load Regulation	$10\text{mA} \leq I_{OUT} \leq I_{MAX}$ $T_J = +25^{\circ}\text{C}$	-	0.3	1.0	%
Adjust Pin Current	-	-	50	100	μA
Adjust Pin Current Change	$10\text{mA} \leq I_{OUT} \leq I_{MAX}$ $3.0\text{V} \leq (V_{IN} - V_{OUT}) \leq 60\text{V}$	-	0.2	5.0	μA
Minimum Load Current	$(V_{IN} - V_{OUT}) = 60\text{V}$	-	3.5	7.0	mA
Current Limit	$(V_{IN} - V_{OUT}) \leq 15\text{V}$	1.5	2.2	3.5	A
Temperature Stability	$T_{MIN} \leq T_J \leq T_{MAX}$	-	1.0	-	%
Ripple Rejection Ratio	$V_{OUT} = 10\text{V}$, $f = 120\text{Hz}$, $C_{ADJ} = 10\mu\text{F}$	66	65 80	-	dB
Thermal Regulation	20 ms pulse, $T_J = 25^{\circ}$	-	0.03	0.07	%/W
Long Term Stability	$T_J = +125^{\circ}\text{C}$, $t = 1,000\text{hrs}$	-	0.3	1.0	%

SENSITRON
DATASHEET 840
REVISION C

MECHANICAL DIMENSIONS in inches & mm



TO-257

PINOUT TABLE

TYPE	PIN 1	PIN 2	PIN 3
TO - 257, 1.5A Regulator	ADJUST	V _{OUT}	V _{IN}

DISCLAIMER:

- 1- The information given herein, including the specifications and dimensions, is subject to change without prior notice to improve product characteristics. Before ordering, purchasers are advised to contact the Sensitron Semiconductor sales department for the latest version of the datasheet(s).
- 2- In cases where extremely high reliability is required (such as use in nuclear power control, aerospace and aviation, traffic equipment, medical equipment, and safety equipment), safety should be ensured by using semiconductor devices that feature assured safety or by means of users' fail-safe precautions or other arrangement.
- 3- In no event shall Sensitron Semiconductor be liable for any damages that may result from an accident or any other cause during operation of the user's units according to the datasheet(s). Sensitron Semiconductor assumes no responsibility for any intellectual property claims or any other problems that may result from applications of information, products or circuits described in the datasheets.
- 4- In no event shall Sensitron Semiconductor be liable for any failure in a semiconductor device or any secondary damage resulting from use at a value exceeding the absolute maximum rating.
- 5- No license is granted by the datasheet(s) under any patents or other rights of any third party or Sensitron Semiconductor.
- 6- The datasheet(s) may not be reproduced or duplicated, in any form, in whole or part, without the expressed written permission of Sensitron Semiconductor.
- 7- The products (technologies) described in the datasheet(s) are not to be provided to any party whose purpose in their application will hinder maintenance of international peace and safety nor are they to be applied to that purpose by their direct purchasers or any third party. When exporting these products (technologies), the necessary procedures are to be taken in accordance with related laws and regulations.