

Am29LS18

Quad D Register with Standard and Three-State Outputs

DISTINCTIVE CHARACTERISTICS

- Low-power Schottky version of the popular Am2918
- Four standard totem-pole outputs
- Four three-state outputs
- Four D-type flip-flops

GENERAL DESCRIPTION

The Am29LS18 consists of four D-type flip-flops with a buffered common clock. Information meeting the set-up and hold requirements on the D inputs is transferred to the Q outputs on the LOW-to-HIGH transition of the clock.

The same data as on the Q outputs is enabled at the three-state Y outputs when the "output control" (\overline{OE}) input is LOW. When the \overline{OE} input is HIGH, the Y outputs are in the high-impedance state.

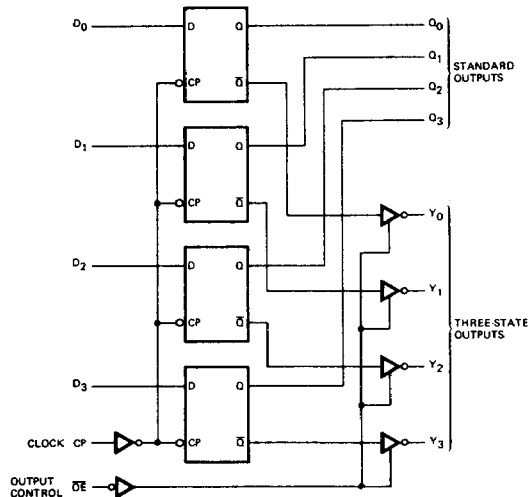
The Am29LS18 is a 4-bit, high-speed register intended for use in real-time signal processing systems where the

standard outputs are used in a recursive algorithm and the three-state outputs provide access to a data bus to dump the results after a number of iterations.

The device can also be used as an address register or status register in computers or computer peripherals.

Likewise, the Am29LS18 is also useful in certain display applications where the standard outputs can be decoded to drive LED's (or equivalent) and the three-state outputs are bus organized for occasional interrogation of the data as displayed.

BLOCK DIAGRAM



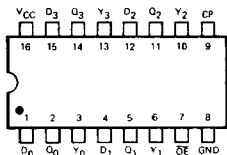
BD002160

RELATED PRODUCTS

Part No.	Description
Am25S18	Quad D Register
Am25LS2518	Quad D Register
Am25LS2519	Quad Register

CONNECTION DIAGRAM Top View

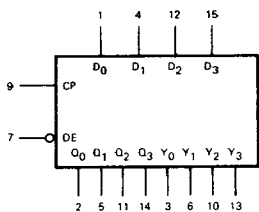
D-16-1



CD004270

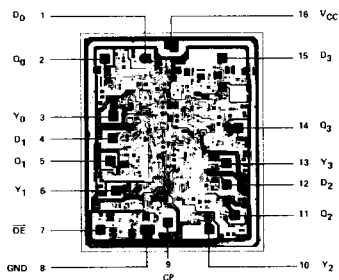
Note: Pin 1 is marked for orientation

LOGIC SYMBOL



LS000900

METALLIZATION AND PAD LAYOUT



DIE SIZE 0.063" x 0.099"

5

ORDERING INFORMATION

AMD products are available in several packages and operating ranges. The order number is formed by a combination of the following: Device number, speed option (if applicable), package type, operating range and screening option (if desired).

Am29LS18

D

C

B

Screening Option
Blank - Standard processing
B - Burn-in

Temperature (See Operating Range)
C - Commercial (0°C to +70°C)
M - Military (-55°C to +125°C)

Package
D - 16-pin CERDIP
F - 16-pin flatpak
P - 16-pin plastic DIP
X - Dice

Device type
Quad D Register

Valid Combinations

Am29LS18	PC
	DC, DCB, DM, DMB, FMB, XC, XM

Valid Combinations

Consult the AMD sales office in your area to determine if a device is currently available in the combination you wish.

PIN DESCRIPTION

Pin No.	Name	I/O	Description
	D_i	I	The four data inputs to the register.
	Q_i	O	The four data outputs of the register with standard totem-pole active pull-up outputs. Data is passed non-inverted.
	Y_i	O	The four three-state data outputs of the register. When the three-state outputs are enabled, data is passed non-inverted. A HIGH on the "output control" input forces the Y_i outputs to the high-impedance state.
9	CP		CP Clock. The buffered common clock for the register. Enters data on the LOW-to-HIGH transition.
7	\overline{OE}		\overline{OE} Output Control. When the \overline{OE} input is HIGH, the Y_i outputs are in the high-impedance state. When the \overline{OE} input is LOW, the TRUE register data is present at the Y_i outputs.

FUNCTION TABLE

INPUTS			OUTPUTS		NOTES
\overline{OE}	CLOCK CP	D	Q	Y	
H	L	X	NC	Z	-
H	H	X	NC	Z	-
H	↑	L	L	Z	-
H	↑	H	H	Z	-
L	↑	L	L	L	-
L	↑	H	H	H	-
L	-	-	L	L	1
L	-	-	H	H	1

L = LOW

NC = No change

H = HIGH

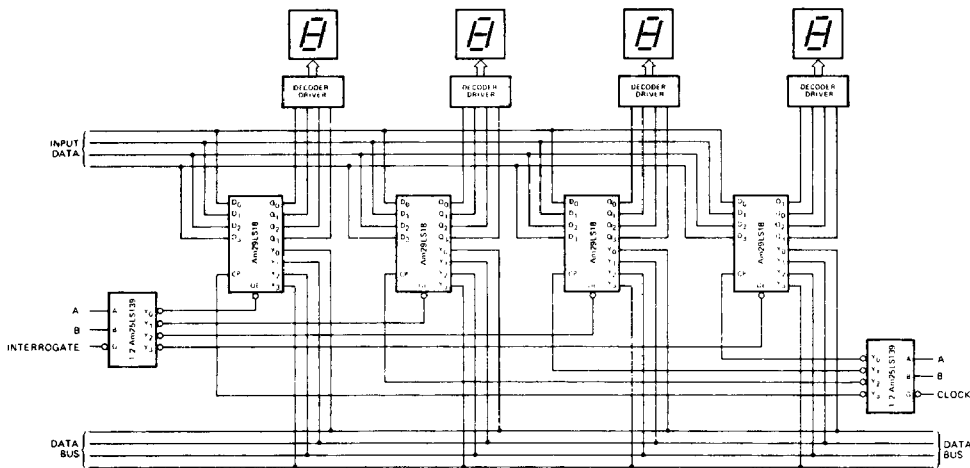
↑ = LOW to HIGH transition

X = Don't care

Z = High impedance

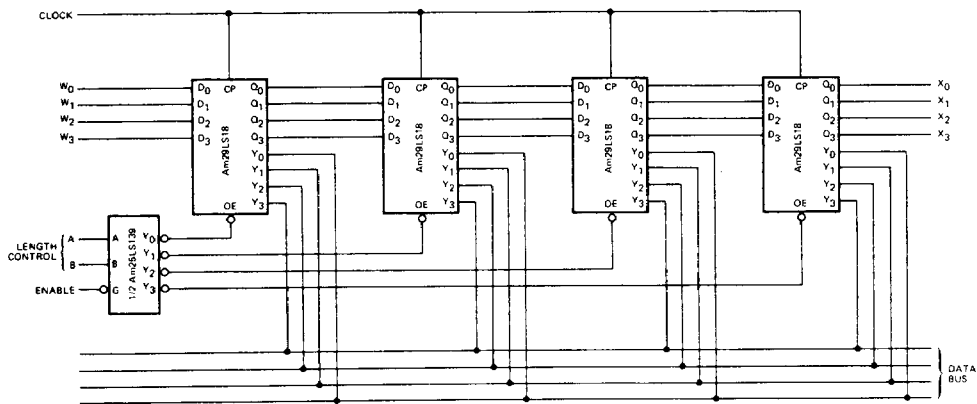
Note: 1. When \overline{OE} is LOW, the Y output will be in the same logic state as the Q output.

APPLICATIONS



AF001410

The Am29LS18 used as a display register with bus interrogate capability.



AF001400

The Am29LS18 as a variable length (1, 2, 3 or 4 word) shift register.

ABSOLUTE MAXIMUM RATINGS

Storage Temperature	-65°C to +150°C
(Ambient) Temperature Under Bias	-55°C to +125°C
Supply Voltage to Ground Potential Continuous	-0.5V to +7.0V
DC Voltage Applied to Outputs For High Output State	-0.5V to +V _{CC} max
DC Input Voltage	-0.5V to +7.0V
DC Output Current, Into Outputs	30mA
DC Input Current	-30mA to +5.0mA

Stresses above those listed under **ABSOLUTE MAXIMUM RATINGS** may cause permanent device failure. Functionality at or above these limits is not implied. Exposure to absolute maximum ratings for extended periods may affect device reliability.

OPERATING RANGES

Commercial (C) Devices

Temperature	0°C to +70°C
Supply Voltage	+4.75V to +5.25V

Military (M) Devices

Temperature	-55°C to +125°C
Supply Voltage	+4.5V to +5.5V

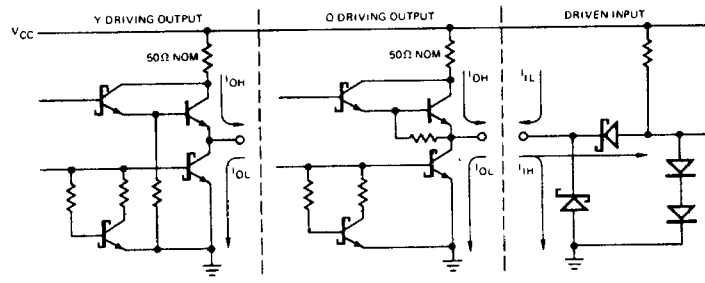
Operating ranges define those limits over which the functionality of the device is guaranteed.

DC CHARACTERISTICS over operating range unless otherwise specified

Parameters	Description	Test Conditions (Note 2)	Min	Typ (Note 1)	Max	Units	
V _{OH}	Output HIGH Voltage	V _{CC} = MIN V _{IN} = V _{IH} or V _{IL}	Q, I _{OH} = -660μA	MIL	2.5	3.4	Volts
				COM'L	2.7	3.4	
		Y	MIL, I _{OH} = -1.0mA	2.4	3.4		
			COM'L, I _{OH} = 2.6mA	2.4	3.4		
V _{OL}	Output LOW Voltage	V _{CC} = MIN V _{IN} = V _{IH} or V _{IL}	I _{OL} = 4.0mA		0.4	Volts	
			I _{OL} = 8.0mA		0.45		
			I _{OL} = 12mA		0.5		
V _{IH}	Input HIGH Level	Guaranteed input logical HIGH voltage for all inputs	2.0			Volts	
V _{IL}	Input LOW Level	Guaranteed input logical LOW voltage for all inputs	MIL		0.7	Volts	
			COM'L		0.8		
V _I	Input Clamp Voltage	V _{CC} = MIN, I _{IN} = -18mA			-1.5	Volts	
I _{IL}	Input LOW Current	V _{CC} = MAX, V _{IN} = 0.4V			-0.36	mA	
I _{IH}	Input HIGH Current	V _{CC} = MAX, V _{IN} = 2.7V			20	μA	
I _I	Input HIGH Current	V _{CC} = MAX, V _{IN} = 7.0V			0.1	mA	
I _O	Off-State (High-Impedance) Output Current	V _{CC} = MAX	V _O = 0.4V		-20	μA	
			V _O = 2.4V		20		
I _{SC}	Output Short Circuit Current (Note 3)	V _{CC} = MAX	-15		-85	mA	
I _{CC}	Power Supply Current (Note 4)	V _{CC} = MAX		17	28	mA	

- Notes: 1. Typical limits are at V_{CC} = 5.0V, 25°C ambient and maximum loading.
 2. For conditions shown as MIN or MAX, use the appropriate value specified under Operating Ranges for the applicable device type.
 3. Not more than one output should be shorted at a time. Duration of the short circuit test should not exceed one second.
 4. I_{CC} is measured with all inputs at 4.5V and all outputs open.

LOW-POWER SCHOTTKY INPUT/OUTPUT CURRENT INTERFACE CONDITIONS



IC000420

Note: Actual current flow direction shown.

SWITCHING CHARACTERISTICS (T_A = +25°C, V_{CC} = 5.0V)

5

Parameters	Description	Test Conditions	Min	Typ	Max	Units	
t _{PLH}	Clock to Q _i	C _L = 15 pF R _L = 2.0 kΩ		18	27	ns	
t _{PHL}				18	27		
t _{PLH}	Clock to Y _i (OE LOW)			18	27	ns	
t _{PHL}				18	27		
t _{pw}	Clock Pulse Width		LOW	18		ns	
			HIGH	15			
t _s	Data			15		ns	
t _h	Data			5.0		ns	
t _{ZH}	OE to Y _i				7.0	11	ns
t _{ZL}					8	12	
t _{HZ}	OE to Y _i	C _L = 5.0 pF R _L = 2.0 kΩ		14	21	ns	
t _{LZ}				12	18		
f _{max}	Maximum Clock Frequency (Note 1)			35	50	MHz	

Note 1. Per industry convention, f_{max} is the worst case value of the maximum device operating frequency with no constraints on t_r, t_f, pulse width or duty cycle.

SWITCHING CHARACTERISTICS over operating range unless otherwise specified*

Parameters	Description	Test Conditions	COMMERCIAL		MILITARY		Units	
			Am29LS18		Am29LS18			
			Min	Max	Min	Max		
t _{PLH}	Clock to Q _i	C _L = 50 pF R _L = 2.0 kΩ		38		45	ns	
t _{PHL}				38		45		
t _{PLH}	Clock to Y _i (OE LOW)			35		40	ns	
t _{PHL}				35		40		
t _{pw}	Clock Pulse Width		LOW	20		20	ns	
			HIGH	20		20		
t _s	Data			15		15	ns	
t _h	Data			5.0		5.0	ns	
t _{ZH}	OE to Y _i				15		17	ns
t _{ZL}					16		17	
t _{HZ}	OE to Y _i	C _L = 50 pF R _L = 2.0 kΩ		27		30	ns	
t _{LZ}				24		30		
f _{max}	Maximum Clock Frequency (Note 1)			30		25	MHz	

*AC performance over the operating temperature range is guaranteed by testing defined in Group A, Subgroup 9.