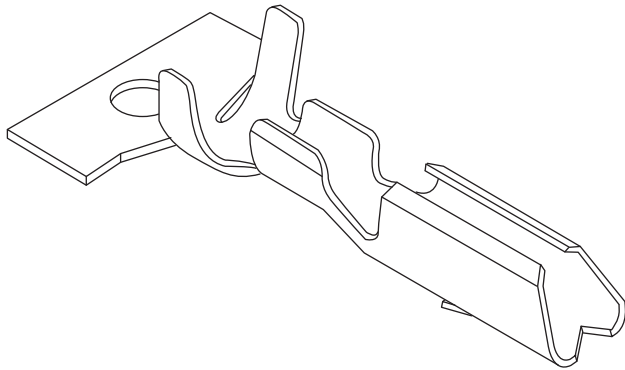


8.00mm (0.315") PITCH CONNECTOR

Wire-to-Board
Crimp Terminal

YDT236

Side Type

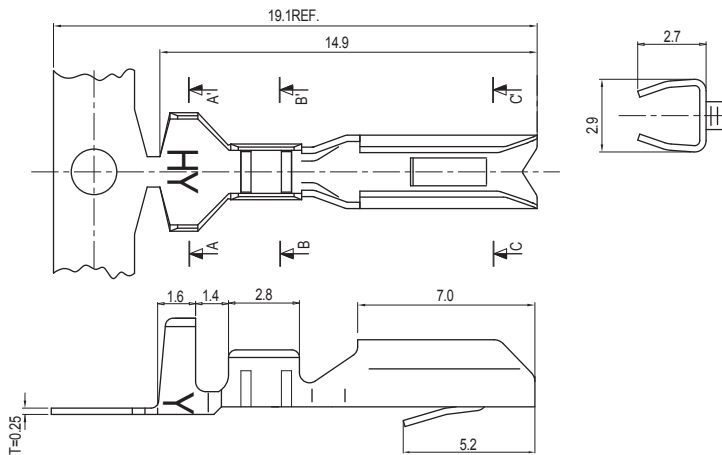


Material

I/NO	DESCRIPTION	TITLE	AWG	MATERIAL	FINISH
1	TERMINAL	YDT236-SSB	#20~#24	Brass	Tin-Plated
		YDT236-MSB	#18~#22		
		YDT236-LSB	#16~#20		

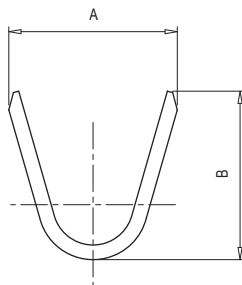
Section Barrel

PARTS NO.	A	B	C	D
YDT236-SSB	4.0	3.1	1.9	2.2
YDT236-MSB	4.7	4.0	2.4	2.7
YDT236-LSB	5.0	5.2	2.3	2.7

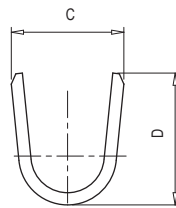


Specification

ITEM	SPEC
Voltage Rating	AC/DC 250V
Current Rating	AC/DC 7A
Operating Temperature	-25°C~+85°C
Contact Resistance	30mΩ MAX
Withstanding Voltage	AC1500V/1min
Insulation Resistance	1000MΩ MIN
Applicable Wire	AWG #16~#24
Applicable P.C.B	-
Applicable FPC/FFC	-
Solder Height	-
Crimp Tensile Strength	L-TYPE : AWG #16~#20
	M-TYPE : AWG #18~#22
	S-TYPE : AWG #20~#24
	AWG #16 : 4.5kgfMIN
	AWG #18 : 4.0kgfMIN
	AWG #20 : 2.5kgfMIN
	AWG #22 : 3.0kgfMIN
	AWG #24 : 2.5kgfMIN
UL FILE NO	-



SECTION A-A'



SECTION B-B'