

HIGH FREQUENCY MAGNETICS

T1/E1 Single Through Hole Transformers

TM00112

- Designed for 3.3 volt T1/E1 line-interface applications requiring low leakage inductance
- Initial applications: Lucent T7633, T7693 and T7697
- Minimum interwinding breakdown voltage of 1500 Vrms
- Operating Temperature Range: -40° C to +85° C
- Meets IEC 695, 2-2 flammability requirements
- PWB Process Capability: Standard Printed Wiring Board assembly techniques, total-immersion cleaning
- Reliability testing: Shock, vibration, temperature cycling, temperature - humidity - bias

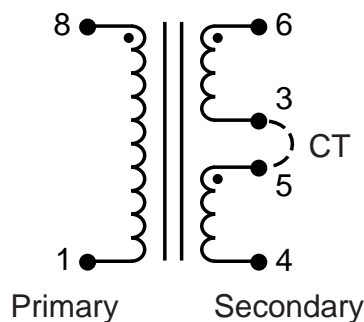
ELECTRICAL SPECIFICATIONS at 25° C

Part Number	Turns Ratio ± 2%	Primary Inductance ² μH min	Leakage Inductance ² μH max	DCR Ω max			Interwinding Capacitance ¹ pF typ
	Pri : Sec ¹			(1 - 8)	(3 - 6)	(4 - 5)	
2664AK	1 : 1.91 CT	780	0.50	0.7	0.7	0.6	20
2664AL	1 : 2.1 CT	780	0.55	0.9	1.0	1.0	20
2664AJ	1 : 2.43 CT	970	0.45	1.4	1.8	1.6	20

1. (4 - 6) Connect 3 and 5
2. Measured at 100 kHz, 0.5 Vac

SCHEMATIC

2664AJ
2664AK
2664AL

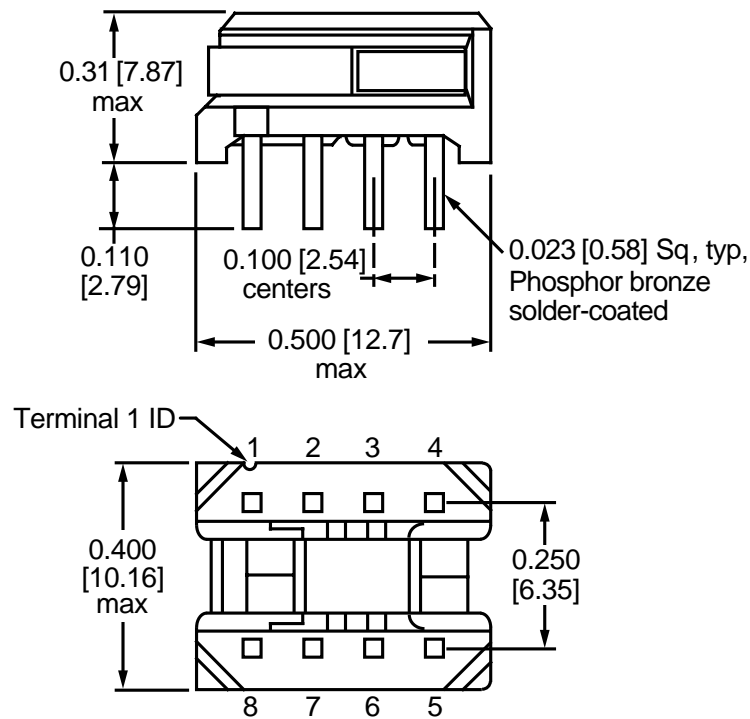


HIGH FREQUENCY MAGNETICS

T1/E1 Single Through Hole Transformers

MECHANICAL

2664AJ
2664AK
2664AL



Note: Unless otherwise specified, dimensions are nominal and in inches [millimeters].

CORPORATE

Bel Fuse Inc.
198 Van Vorst Street
Jersey City, NJ 07302
Tel 201-432-0463
Fax 201-432-9542
www.belfuse.com

FAR EAST

Bel Fuse Ltd.
8F / 8 Luk Hop Street
San Po Kong
Kowloon, Hong Kong
Tel 852-2328-5515
Fax 852-2352-3706
www.belfuse.com

EUROPE

Bel Fuse Europe Ltd.
Preston Technology Management Centre
Marsh Lane, Suite G7, Preston
Lancashire, PR1 8UD, U.K.
Tel 44-1772-556601
Fax 44-1772-888366
www.belfuse.com